

—
INSTALLATION INSTRUCTION

NFPA79 handle 1SDA085244R6

For OT30F, OT60F, OT100F, OT160G_,
OT200U, OS30FA_, OS60...200J_



Handle NFPA79

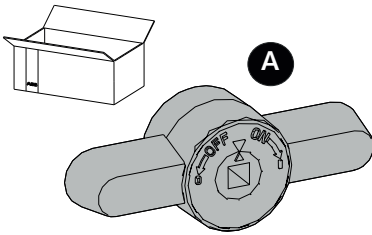
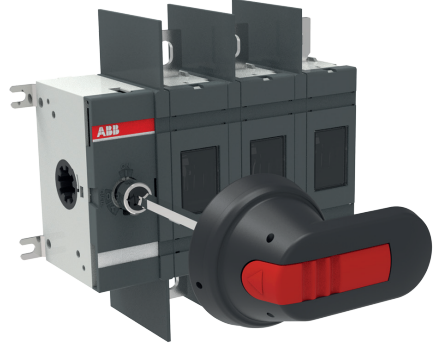
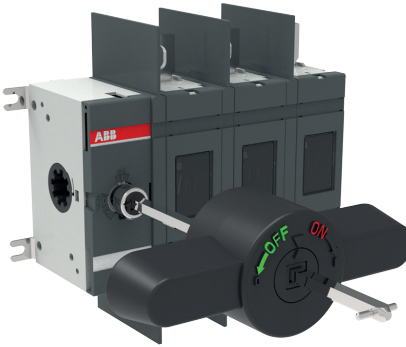


Fig. 1

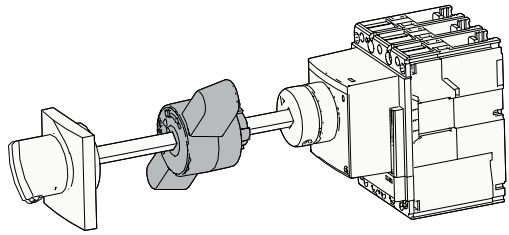


Fig. 2

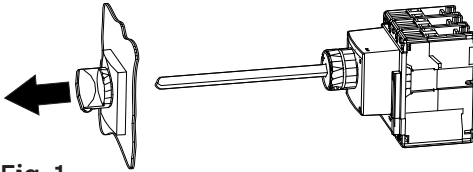


Fig. 3

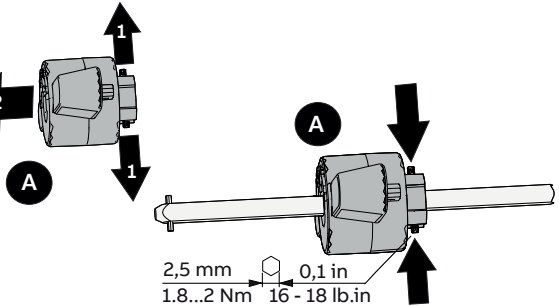


Fig. 4

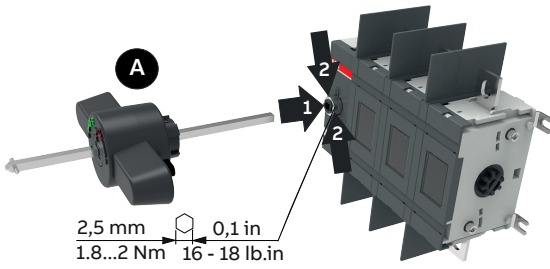


Fig. 5

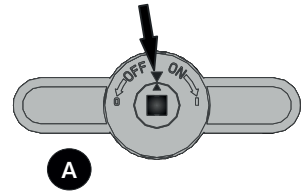


Fig. 6

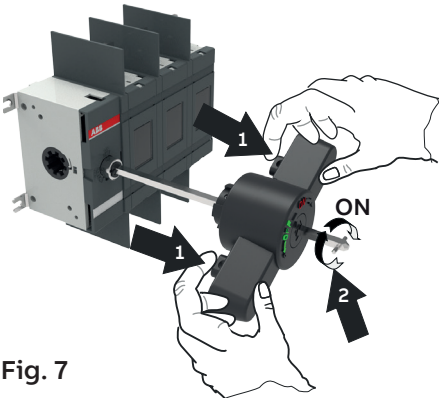


Fig. 7

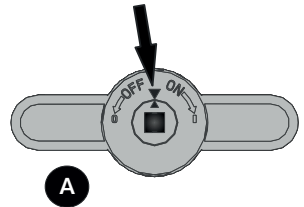


Fig. 8

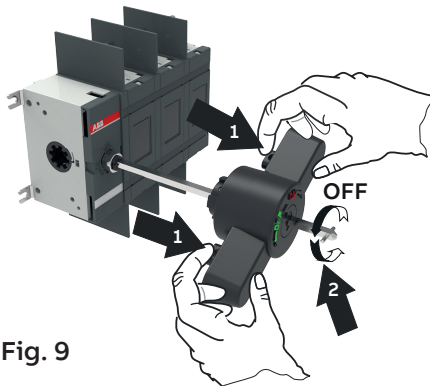


Fig. 9

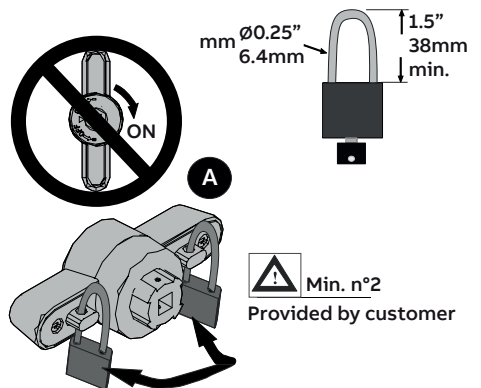


Fig. 10



Contact us

ABB Oy

Muottitie 2A, 65320

Vaasa Finland

abb.com/lowvoltage