

# Type SCE Indoor current transformer

## Product features

- 600 volt indoor, 10 kV BIL
- 25 through 400 Hertz
- Primary amperes: 200-4000
- 4.25" window

## Application

The SCE current transformer is used as the source of current for relaying and metering.

## Construction features

The ring-type core is insulated and toroidally wound with a fully distributed secondary winding. The protective case, made of an impact-resistant polycarbonate, is ultrasonically sealed.

## Secondary terminals

Secondary terminals are 10-32 brass terminal studs with hardware.

## Curves

Saturation, overcurrent, ratio correction factor, and phase-angle curves are available upon request.

## Test reports

IEEE test reports are stored electronically and can be e-mailed in various formats at the time of shipment.

## Standards

This unit meets all applicable IEEE and NEMA standards and is a UL Recognized Component.



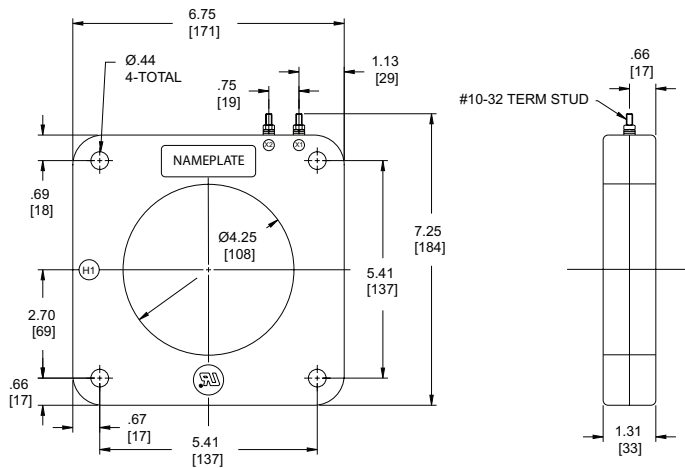
Selection guide

Primary amps	Continuous current rating		IEEE metering accuracy					Thermal rating*	Mechanical rating	Style number
	30° C	55° C	B-0.1	B-0.2	B-0.5	B-0.9	B-1.8			
200	2.0	1.5	1.2	1.2	-	-	-	100	180	7525A44G01
300	2.0	1.5	0.6	0.6	1.2	2.4	-	100	180	7525A44G03
400	2.0	1.5	0.3	0.6	1.2	1.2	2.4	100	180	7525A44G04
500	2.0	1.5	0.3	0.3	0.6	1.2	2.4	100	180	7525A44G05
600	2.0	1.5	0.3	0.3	0.6	0.6	1.2	80	180	7525A44G06
800	1.5	1.0	0.3	0.3	0.3	0.6	0.6	60	180	7525A44G08
1000	1.5	1.0	0.3	0.3	0.3	0.3	0.6	60	180	7525A44G09
1200	1.33	1.0	0.3	0.3	0.3	0.3	0.6	60	180	7525A44G10
1500	1.33	1.0	0.3	0.3	0.3	0.3	0.6	60	180	7525A44G11
1600	1.33	1.0	0.3	0.3	0.3	0.3	0.6	60	180	7525A44G12
2000	1.33	1.0	0.3	0.3	0.3	0.3	0.3	60	180	7525A44G13
2500	1.33	1.0	0.3	0.3	0.3	0.3	0.3	60	180	7525A44G14
3000	1.33	1.0	0.3	0.3	0.3	0.3	0.3	60	180	7525A44G15
4000	1.0	0.5	0.3	0.3	0.3	0.3	0.3	50	180	7525A44G17

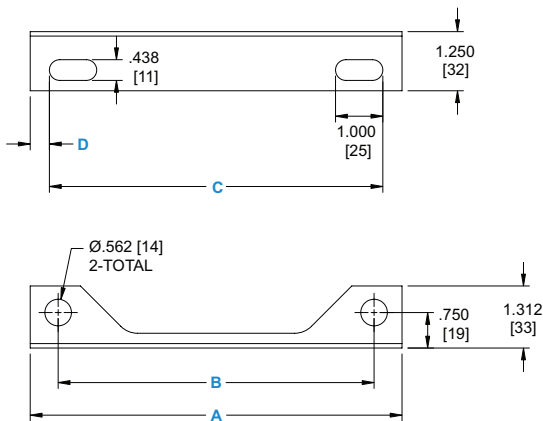
- Optional mounting feet: 9625A62G01

\* times normal, 1 second

Unit dimensions



Type SCE (approximate weight 3.5 lbs)



Optional two-piece mounting feet

Mounting feet dimensions

A		B		C		D	
in	mm	in	mm	in	mm	in	mm
6.75	172	5.50	140	5.75	146	0.50	13

For more information please contact:

**ABB Inc.**  
**Medium Voltage Distribution Components**

3022 NC 43 North  
Pinetops, NC 27864  
USA  
Phone: +1 252 827 3212  
Fax: +1 252 827 4286

[www.abb.com/mediumvoltage](http://www.abb.com/mediumvoltage)

Note:

We reserve the right to make technical changes or modify the contents of this document without prior notice. With regard to purchase orders, the agreed particulars shall prevail. ABB does not accept any responsibility whatsoever for potential errors or possible lack of information in this document. We reserve all rights in this document and in the subject matter and illustrations contained therein. Any reproduction—in whole or in parts—is forbidden without ABB's prior written consent.

Copyright 2004 ABB.  
All rights reserved.



UL Recognized Component, File No. E96461