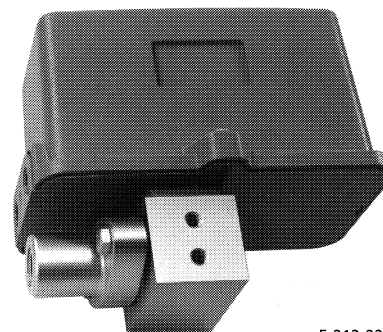


- 2 Year Warranty
- ±0.35% accuracy
- Low air consumption
- Field-proven instrument
- Common secondary construction
- Unitized relay with push-to-clean orifice
- Light-weight
- Non-interacting span and zero



E-212-321

This is a force-balanced instrument transmitting 3 to 15 psig (20 to 100 kPa) signals proportional to gauge or differential pressure.

These transmitters offer precise measurement, reliable performance, and easy installation and maintenance.

**PERFORMANCE SPECIFICATIONS**

**Output**

20 to 100 kPa (3 to 15 psi)

**Air Supply**

140 - 155 kPa (20 - 22 psig) recommended  
 125 kPa (18 psig) minimum  
 175 kPa (25 psig) maximum

**Warning:** Use of a supply gas other than air can create a hazardous environment because a small amount of gas continuously vents to atmosphere.

**Air Consumption**

0.34m<sup>3</sup>/hr (0.2 scfm)

**Zero Elevation and Suppression**

Elevation and suppression spring furnished on all models

Catalog No.	Gauge (F):		Max. Elevation		Max. Suppression	
	kPa	psig	kPa	psig	kPa	psig
332T	-101.3	-14.7	970	140		
333T	-101.3	-14.7	4800	700		

Catalog No.	Differential (D):		Max. Elevation		Max. Suppression	
	kPa	psig	kPa	psig	kPa	psig
332T	-700	-100	970	140		
333T	-3500	-500	4800	700		

Catalog No.	Upper Range Limit	
	kPa	psig
332T	1000	150
333T	5200	750

Catalog No.	(20 kPa) Zero (3 psig Output)		Max. Elevation		Max. Suppression	
	kPa	psig	kPa	psig	kPa	psig
334T	-100	-14.7	19 600	2800		
335T	-100	-14.7	36 000	5400		
336T	-100	-14.7	126 000	18,000		

**Upper Range Limit 15 psig (100 kPa) Output**

Catalog No.	kPa	psig
334T	14 000	2000
335T	40 000	6000
336T	140 000	20,000

**Vacuum Service** Full Vacuum

**Maximum Overrange Pressure**

332T	1400 kPa (200 psig)
333T	7000 kPa (1000 psig)
334T	28 000 kPa (4000 psig)
335T	40 000 kPa (6000 psig)
336T	140 000 kPa (20,000 psig)

**Maximum Static Pressure**

332TD	14 000 kPa (2000 psig)
333TD	14 000 kPa (2000 psig)

**Operating Temperature**

Secondary	-40° to 82°C (-40° to 180°F)
Primary	-40° to 177°C (-40° to 350°F)

**Storage Temperature**

-68° to 82°C (-90° to 180°F)

**Accuracy**

Calibration capability better than ±0.35% of Zero-based span. Includes conformity, hysteresis, and repeatability. Transmitters factory-calibrated better than 0.35% of span. (Note: 335T above 3000 psi and 336T above 15,000 psi spans are ± 1% accuracy.)

**Repeatability**

0.1% to 0.2% of span depending on model selected.

**Mounting Position**

Universal; however, rezeroing may be required with some orientations.

## PHYSICAL SPECIFICATIONS

### Air Supply and Output Connections

1/4 internal NPT

### Weight

332T and 333T - 2.7kg (6 lb)

334T, 335T, and 336T - 1.8 kg (4 lb)

### Process Connections

332, 333T 1/2 in. internal NPT

334T, 335T, 336T 1/4 in. internal NPT

### Gasket

Teflon<sup>1</sup> Silicate - ceramic filled

### Housing

Corrosion-resistant, die-cast aluminum with baked enamel finish; fiberglass cover optional.

### Mounting Bracket

Carbon steel universal mount for pipe mounting 30mm to 50mm (1 1/4 to 2 in.) or surface mounting.

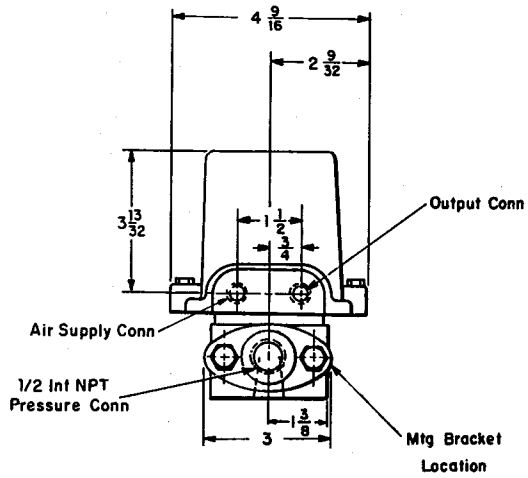
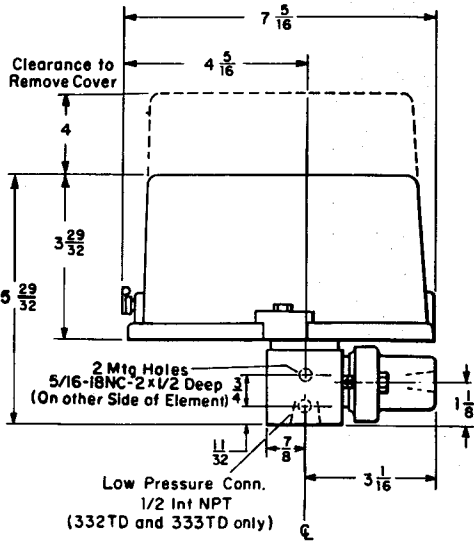
### NACE (National Association of Corrosion Engineers)

Interpretation of NACE Specification MR 01-75, latest revision, is that it applies only to process-wetted parts. Therefore, only the diaphragm, flanges and fittings, and adapters conform to this specification when the NACE form of transmitter is ordered. Bolts are not included since they are not process-wetted in normal usage.

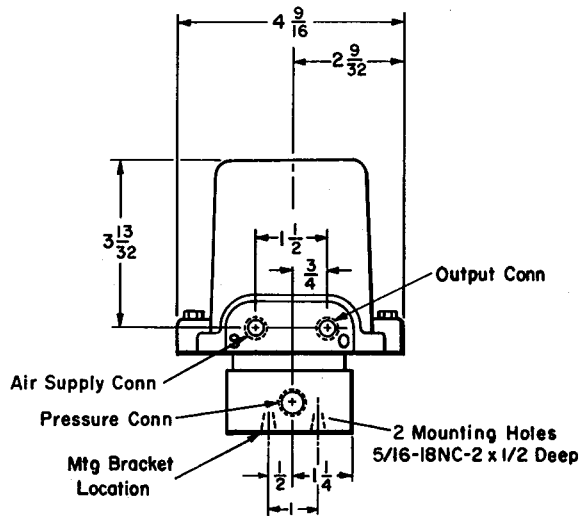
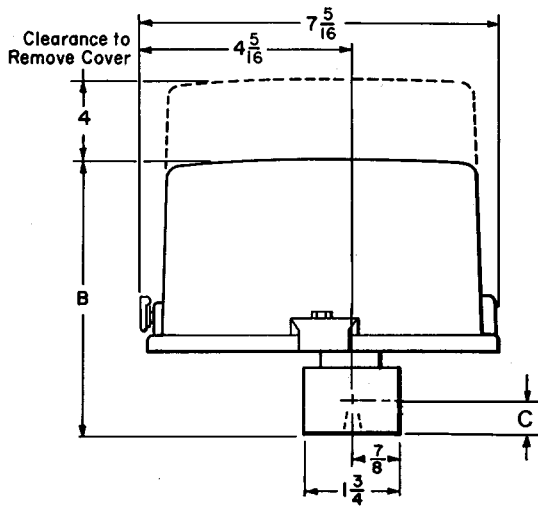
All accessories may be ordered with NACE form of transmitter except SIS-172.

<sup>1</sup>Trademark of E. I. du Pont de Nemours & Co., Inc.

### DIMENSIONS (332TD, 333TD)



### DIMENSIONS (334T, 335TF, 336TF)



Catalog No.	B	C
334TF, 335T	5-9/16	5/8
336TF	6-15/32	11/16

## ORDERING INFORMATION

### 330T SERIES PNEUMATIC GAUGE AND DIFFERENTIAL PRESSURE TRANSMITTER

1. Select one character or set of characters from each category and specify complete catalog number as per sample below.
2. Specify tagging if required. Tagging information can be provided on the exterior stainless steel plate
3. Specify calibration in psi or kPa.

Code No.	Description
<b>BASE NUMBER - 1st thru 4th characters</b>	
332T	Span adjustable from 70 to 700 kPa (10 to 100 psi)
333T	Span adjustable from 350 to 3500 kPa (50 to 500 psi)
334T	Span adjustable from 1400 to 14 000 kPa (200 to 2000 psi)
335T	Span adjustable from 4000 to 40 000 kPa (600 to 6000 psi)
336T	00882 only Span adjustable from 14 000 to 140 000 kPa (2000 to 20 000 psi)
<b>ACTUATION - 5th character</b>	
D	Differential pressure (two inputs). For 332TD and 333TD only.
F	Gauge pressure (one input)
<b>PROCESS WETTED MATERIAL - 6th thru 8th characters</b>	
000	NACE form: Hastelloy C <sup>1</sup> /316L SST for 332T (D, F) and 333T (D, F) only. Hastelloy C diaphragm, 17-4 pH SST body, Type 321 SST trim for 334TF and 335TF only. See NACE note for forms available
002	316 SST - for 332T (D, F), 333T (D, F), 334TF, and 335TF only
003	Hastelloy C - for 332TF or 333TF only
008	Type 17-4 pH SST - for 336T only
<b>PROCESS CONNECTION MATERIAL - 9th character</b>	
2	316 SST; 332T (D, F), 333T (D, F), 334TF, 335TF only
3	Hastelloy C - for 332TF and 333TF only
8	Type 17-4 pH SST - for 334TF, 335TF, 336TF only
<b>PROCESS CONNECTION - 10th character</b>	
1	1/2 in. internal NPT - for 332T (D, F) and 333T (D, F) only
2	1/4 in. internal NPT - for 334TF, 335TF, and 336TF only
<b>333TF00221 SAMPLE CATALOG NUMBER</b>	
<b>ACCESSORIES</b>	
Add after catalog number. Example: 333TF00221(103)	
(103)-(111)	Air Sets refer to Price Sheet 7-1B.
(283)-(287)	Air Sets
NOTE: NACE forms available are:	
332TF00021 or 031	
332TD00021	
333TF00021 or 031	
333TD00021	
334TF00082	
335TF00082	
(146)	Mounting Bracket - Universal type, carbon steel. Includes U-bolts for 30 to 50 mm (1-1/4 to 2 in.) pipe or surface mounting
(277)	Fiberglass reinforced cover and epoxy-coated subbase
(278)	Fiberglass reinforced cover only
SIS-172	Oxygen Service: cleaning, calibration, and packaging to ABB Instrumentation Standards (Not available on 334T, 335T, 336T or any NACE forms)
SIS-174	Safety blowout disc on secondary
SIS-177	Case purge
45P1098H	Metal Identification Plate (316 sst tagging)

<sup>1</sup>Trademark of Haynes International, Inc.



The Company's policy is one of continuous product improvement and the right is reserved to modify specifications contained herein without notice.

©1996 ABB Instrumentation

SS-2-6 96.11

---

**ABB Kent-Taylor Ltd.**

St. Neots Cambs.  
England, PE19 3EU  
Tel: (01480) 475321  
Fax: (01480) 217948

SS-2-6

**ABB Instrumentation Inc.**

P.O. Box 20550  
Rochester, New York 14602-0550  
Tel: (716) 292-6050  
Fax: (716) 273-6207

T-112

**ABB Kent-Taylor SpA**

22016 Lenno  
Como, Italy  
Tel: (0344) 58111  
Fax: (0344) 56278