



ABB Low Voltage Drives ACH550-UH and E-Clipse Spare Parts Catalog

Contact ABB Inc, Low Voltage Drives

ABB Inc - Low Voltage Drives
16250 W. Glendale Drive
New Berlin, WI 53151
Tel: (800) 752-0696
Fax: (262) 785-0397
Web: <http://www.abb.us/drives>

Technical Support
Tel: (800) 752-0696 option 1, option 1
Fax: (262) 780-5135
Email: DrivesSupportLine@us.abb.com

Spare Parts Ordering
Tel: (800) 752-0696 option 1, option2
Fax: (800) 648-2072
Email: abb.mail@us.abb.com

Customer Service
Tel: (800) 752-0696
Fax: (800) 648-2072
Email: abb.drives.customerservice@us.abb.com

General Manuals

- **ACH550 User's Manual (3AUA0000081823)**
 - ACH550-UH HVAC Drives (1...550 HP)
 - ACH550-BCR/BDR/VCR/VDR E-Clipse Bypass Drives (1...400 HP)
 - ACH550-PCR/PDR Packaged Drives with Disconnect (1...550 HP)
- **ACH550 Installation, Operation and Maintenance (I,O&M) Manual (3AUA0000081824)**
 - ACH550-UH HVAC Drives (1...550 HP)
 - ACH550-BCR/BDR/VCR/VDR E-Clipse Bypass Drives (1...400 HP)
 - ACH550-PCR/PDR Packaged Drives with Disconnect (1...550 HP)
- **ACH550 Commission Guide (LVD-PNTG04U-EN)**
- **ACH550 Installation Guide (LVD-PNTG02U-EN)**

Table of Contents

Safety	4
Drive Identification	5
E-Clipse Enclosure Designation Sizes.....	7
ACH550-UH drive spare parts for frames R1-R2.....	8
ACH550-UH drive spare parts for frames R3-R4.....	10
ACH550-UH drive spare parts for frames R5-R6.....	12
E-Clipse VCR - Enclosure Designation V1 - V2	14
E-Clipse VCR - Enclosure Designation V3 - V4	16
E-Clipse VDR - Enclosure Designation V1 - V2	18
E-Clipse VDR - Enclosure Designation V3 - V4	20
E-Clipse BCR - Enclosure Designation B1	22
E-Clipse BCR - Enclosure Designation B2	24
E-Clipse BCR - Enclosure Designation B3	26
E-Clipse BCR - Enclosure Designation B4	28
E-Clipse BDR - Enclosure Designation B1	30
E-Clipse BDR - Enclosure Designation B2	32
E-Clipse BDR - Enclosure Designation B3	34
E-Clipse BDR - Enclosure Designation B4	36

Safety

WARNING! The ACH550 adjustable speed AC drive with E-Clipse Bypass and replacement parts should only be installed by a qualified electrician.

WARNING! Even when the motor is stopped, dangerous voltage is present at the Power Circuit terminals U1, V1 W1 and U2, V2, W2 and depending on the Enclosure Designation size UDC+ and UDC-, or BRK+ and BRK-.

WARNING! Dangerous voltage is present when input power is connected. After disconnecting the supply, wait at least 5 minutes (to let the intermediate circuit capacitors discharge) before removing the cover.

WARNING! Even when the power is removed from the input terminals of the ACH550, there may be dangerous voltages (from external sources) on the terminals of the relay outputs.

WARNING! When the control terminals of two or more drive units are connected in parallel, the auxiliary voltage for these control connections must be taken from a single source which can either be one of the units or an external supply.

WARNING! When the ACH550 with E-Clipse Bypass is connected to the line power, the Motor Terminals T1, T2 and T3 are live even if the motor is not running. Do not make any connections when the ACH550 with E-Clipse Bypass is connected to the line. Disconnect and lock out the power to the drive before servicing the drive. Failure to disconnect the power may cause serious injury or death.

Note: For more technical information, contact ABB Drives Technical Support at 1-800-752-0696 or your local ABB Sales representative.

Drive Identification


Drive Labels

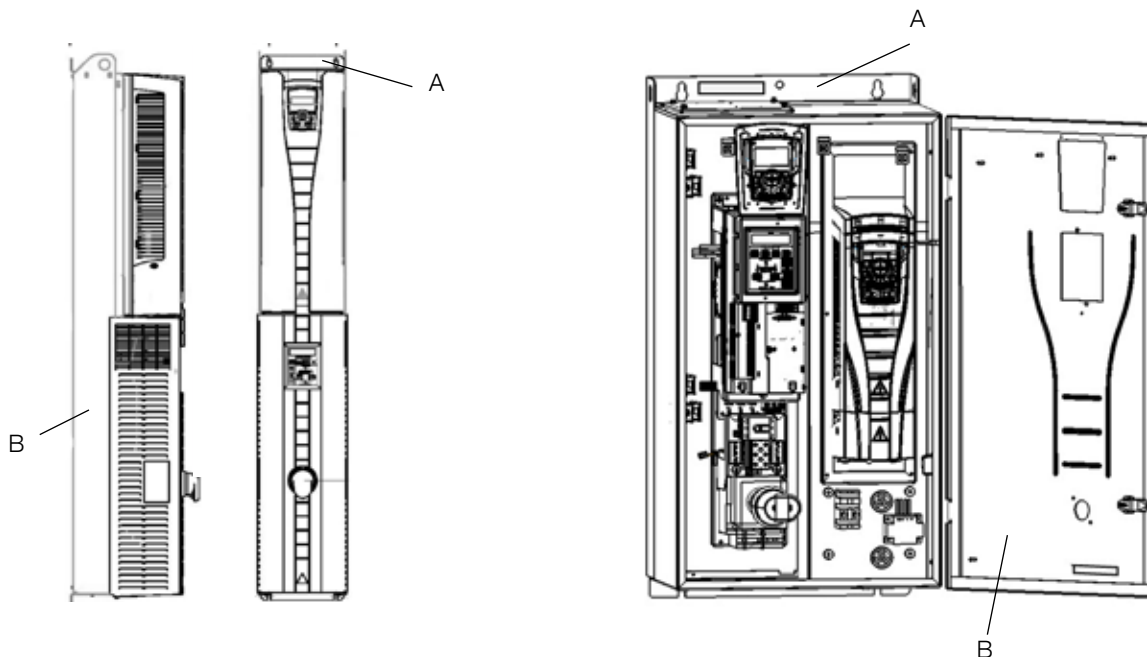
To determine the proper spare parts, refer to either:

- Serial Number Nameplate attached on the upper part of the enclosure between the mounting holes. See "A" in diagram below.

ACH550-BCR-316A-4	
U1	3~ 200...280 V
12N	100 A
PN	400
 Ser. No. *2030700001*	

- Type code label attached on the heatsink-on the right side of the unit cover for Vertical units. Type code label is located on the lower left, inside corner of the cover for box units. See "B" in diagram below.

Input Voltage (U1)	3 Phase 48...63 Hz 200...240 V	1 Phase 48...63 Hz 240...240 V	ABB Inc. Made in USA with foreign parts
Current (I1ND)	100 A	110A	
Output Voltage (U2)	3 Phase 48...63 Hz 0...Input Voltage (U1)	1 Phase 40...63 Hz 0...Input Voltage (U1)	Mfg Date: June 10, 2004 Org. Firmware: V.2.03B
Current (I2ND)	100 A	110A	
Nominal Motor Power (PND)		400 Hp 15 HP	
Short Circuit Rating		100KAIC 100 KAIC	
UL Type 12 / IP 54			
OEM Part Number		204250031	
 ACH550-BCR-101A-2+K454+L502+L503+N651+P901			



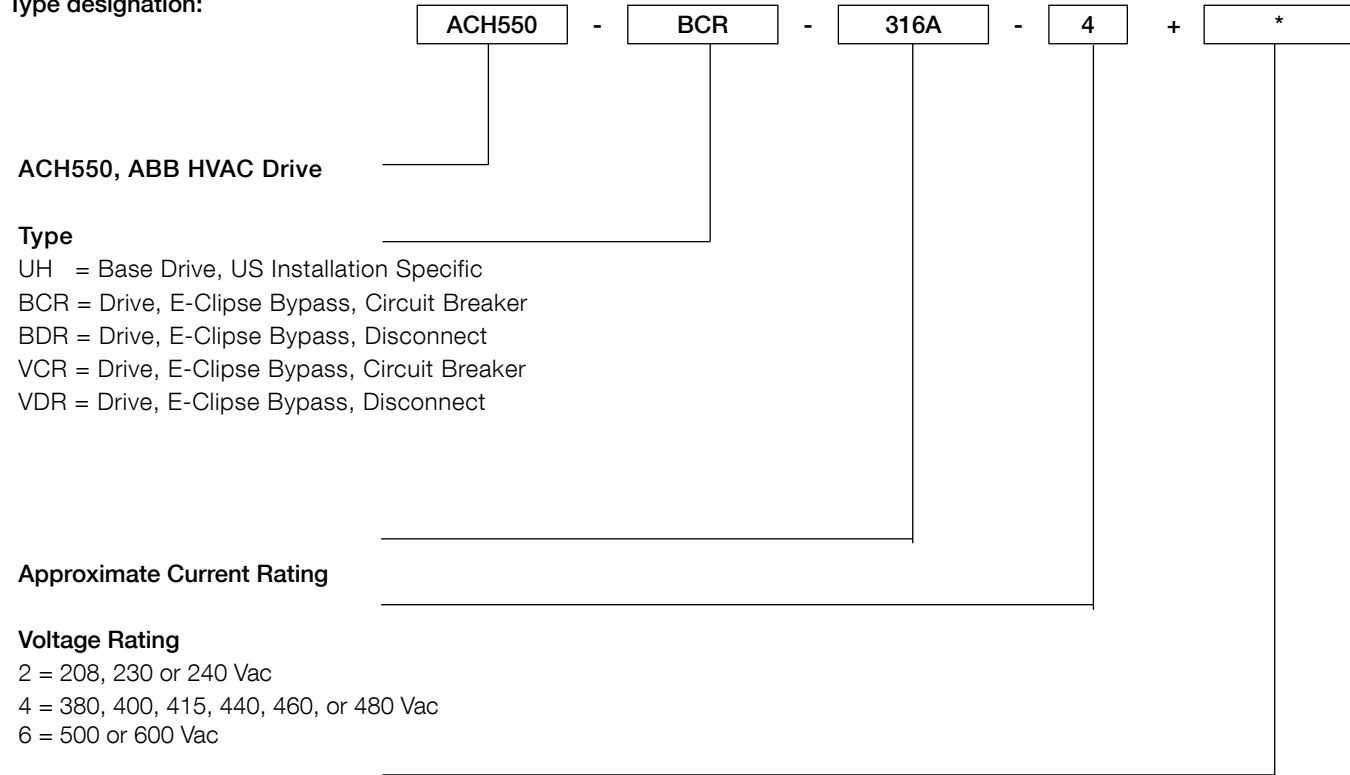
Drive Identifications

The E-Clipse Bypass is available in four different configurations: Vertical Bypass with Circuit Breaker (VCR), Vertical Bypass with Disconnect Switch (VDR), Bypass with Circuit Breaker (BCR), and Bypass with Disconnect Switch (BDR) in a box. Each configuration is available in three different voltage ratings.

The ACH550 drive is available in UL Type 1 and UL Type 12 protection classes. The type designation for the drive is "UH". UL Type 12 protection class is available as a plus code (+B055) as part of the UH drive type.

Use the following chart to interpret the type code found on either label.

Type designation:



Addition of + (plus) codes may indicate custom product.

Please contact ABB for further information.

E-Clipse Enclosure Designation Sizes

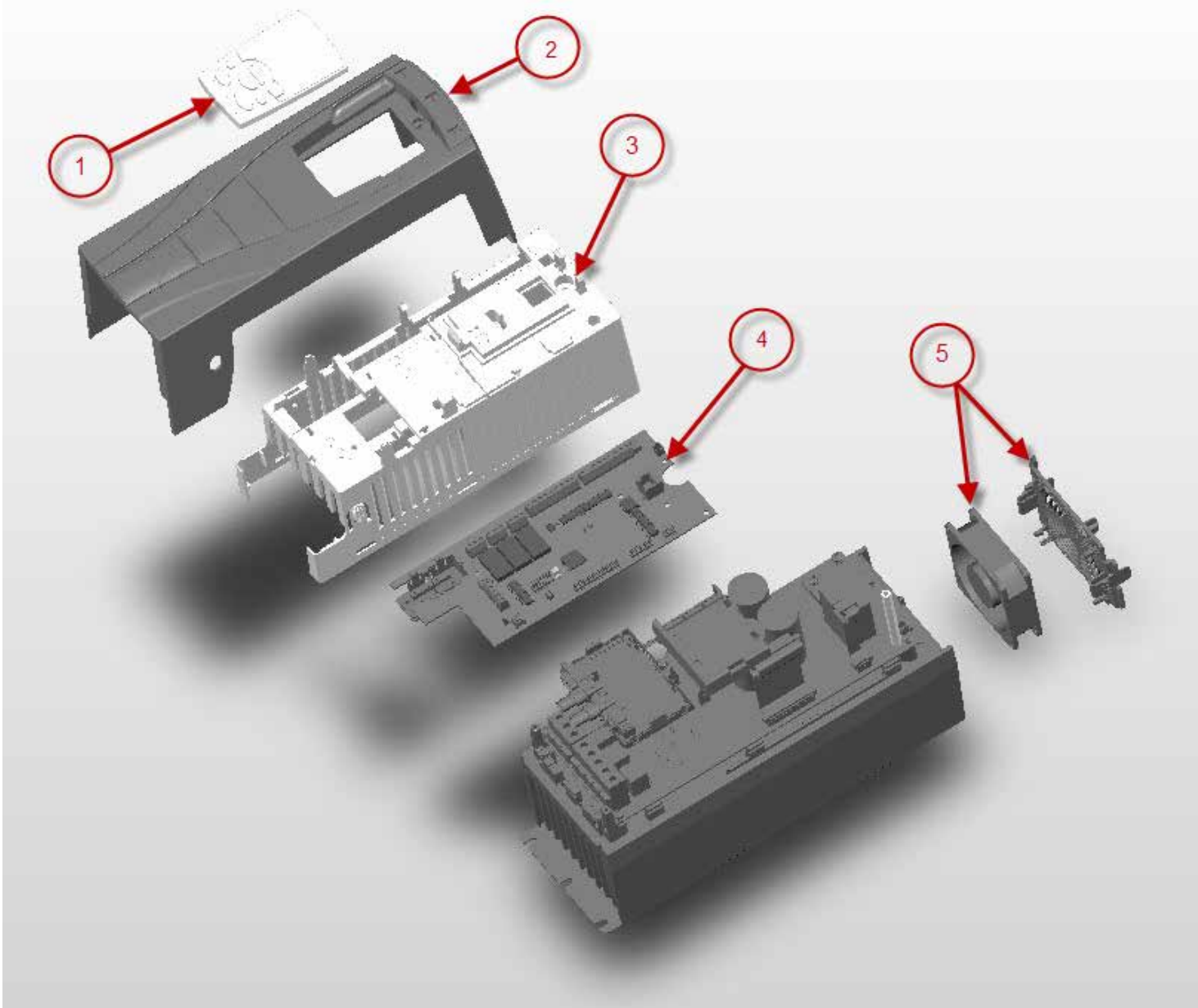
Vertical Enclosure Designation Sizes (VCR/VDR)

Enclosure Designation	Voltage			Page #
	208/240	380/480	575/600	
V1	-04A6-2	-03A3-4		VCR - pg 15 VDR - pg 19
	-06A6-2	-03A3-4		
	-07A5-2	-04A1-4		
	-012A-2	-06A9-4		
	-017A-2	-08A8-4		
		-012A-4		
V2	-024A-2	-015A-4	-02A7-6	VCR - pg 15 VDR - pg 19
		-023A-4	-03A9-6	
			-06A1-6	
			-09A0-6	
			-011A-6	
V3	-031A-2	-031A-4	-022A-6	VCR - pg 17 VDR - pg 21
	-046A-2	-038A-4	-027A-6	
	-059A-2	-045A-4		
V4	-075A-2	-059A-4	-032A-6	VCR - pg 17 VDR - pg 21
		-072A-4	-041A-6	
		-078A-4	-052A-6	
			-062A-6	

Box Enclosure Designation Sizes (BCR, BDR)

Enclosure Designation	Voltage			Page #
	208/240	380/480	575/600	
B1	-04A6-2	-03A3-4	-02A7-6	BCR - pg 23 BDR - pg 31
	-06A6-2	-03A3-4	-03A9-6	
	-07A5-2	-04A1-4	-06A1-6	
	-012A-2	-06A9-4	-09A0-6	
	-017A-2	-08A8-4	-011A-6	
	-024A-2	-012A-4	-017A-6	
		-015A-4		
		-023A-4		
B2	-031A-2	-031A-4	-022A-6	BCR - pg 25 BDR - pg 33
	-046A-2	-038A-4	-027A-6	
	-059A-2	-045A-4	-032A-6	
	-075A-2	-059A-4	-041A-6	
		-072A-4	-052A-6	
B3		-078A-4	-062A-6	BCR - pg 27 BDR - pg 35
	-088A-2	-097A-4	-077A-6	
	-114A-2	-125A-4	-099A-6	
	-143A-2	-157A-4	-125A-6	
	-178A-2	-180A-4	-144A-6	
	-221A-2	-246A-4		
B4	-248A-2			BCR - pg 29 BDR - pg 37
		-316A-4		
		-368A-4		
		-414A-4		
	-486A-4			

ACH550-UH drive spare parts for frames R1-R2

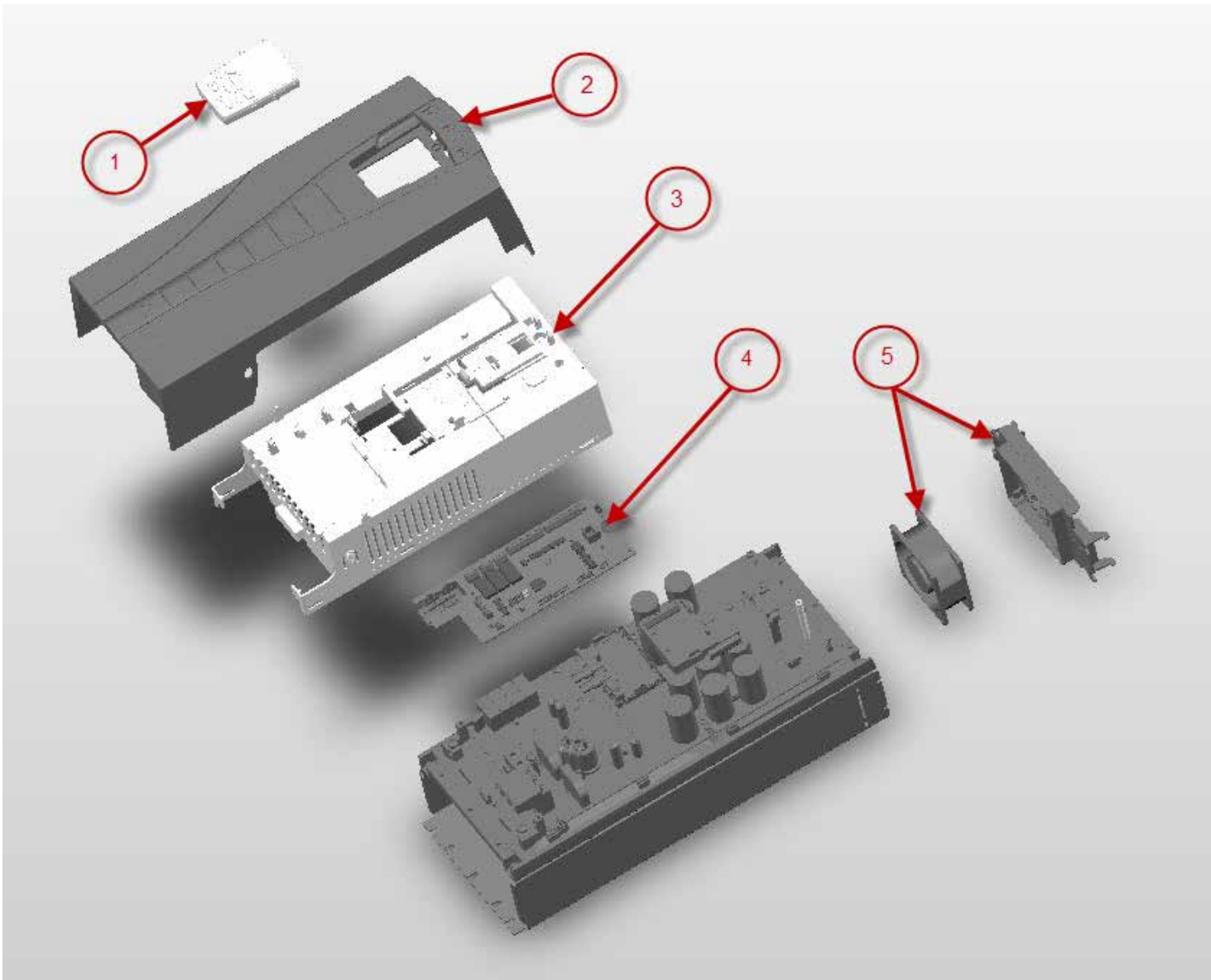


ACH550-UH drive spare parts for frames R1-R2

Item	Part Number	Description	230Vac						460Vac						600Vac						
			-UH-04A6-2	-UH-06A6-2	-UH-07A5-2	-UH-012A-2	-UH-017A-2	-UH-024A-2	-UH-031A-2	-UH-03A3-4	-UH-04A1-4	-UH-06A9-4	-UH-08A8-4	-UH-012A-4	-UH-015A-4	-UH-023A-4	-UH-02A7-6	-UH-03A9-6	-UH-06A1-6	-UH-09A0-6	-UH-011A-6
1 - Control Panel	64738984	Control Panel, ACH-CP-B with Connector	1	1	1	1	1	1	1	1	1	1	1	1	1	1	1	1	1	1	1
2 - Covers UL Type 1	3AUA0000001393	R1 IP21 Cover	1	1	1	1			1	1	1	1									
	3AUA0000001394	R2 IP21 Cover					1	1					1	1	1	1	1	1	1	1	1
2 - Covers UL Type 12, +B055 not shown	3AUA0000003817	R1 IP54 Cover	1	1	1	1	1		1	1	1	1									
	3AUA0000003818	R2 IP54 Cover					1	1					1	1	1	1	1	1	1	1	1
	68228476	IP54 Door For Panel Access	1	1	1	1	1	1	1	1	1	1	1	1	1	1	1	1	1	1	1
3 - Skeleton	3AUA0000001379	R1 Skeleton Assembly	1	1	1	1	1		1	1	1	1									
	3AUA0000001380	R2 Skeleton Assembly					1	1					1	1	1	1	1	1	1	1	1
4 - Control Board	3AUA00000010562	Kit, ACH550 Control Board W/ BACNET, SMIO-01C	1	1	1	1	1	1	1	1	1	1	1	1	1	1	1	1	1	1	1
5 - Fans UL Type 1	3AUA0000000145	Heatsink Fan, ACH550 R1	1	1	1	1	1		1	1	1	1									
	3AUA0000001304	R1 Fan Retainer *	1	1	1	1	1		1	1	1	1									
	3AUA0000006978	Heatsink Fan, ACH550 R2					1	1				1	1	1	1	1	1	1	1	1	1
	3AUA0000001306	R2 Fan Retainer *					1	1				1	1	1	1	1	1	1	1	1	1
5 - Fans UL Type 12, +B055 not shown	3AUA0000000145	Heatsink Fan, ACH550 R1	1	1	1	1	1		1	1	1	1									
	3AUA0000001304	R1 Fan Retainer *	1	1	1	1	1		1	1	1	1									
	3AUA0000006978	Heatsink Fan, ACH550 R2					1	1				1	1	1	1	1	1	1	1	1	1
	3AUA0000001306	R2 Fan Retainer *					1	1				1	1	1	1	1	1	1	1	1	1
	3AUA0000000148	Internal IP54 cooling fan for ACH550	1	1	1	1	1	1	1	1	1	1	1	1	1	1	1	1	1	1	1

* Note: It is recommended to replace the fan retainer when replacing the fan.

ACH550-UH drive spare parts for frames R3-R4

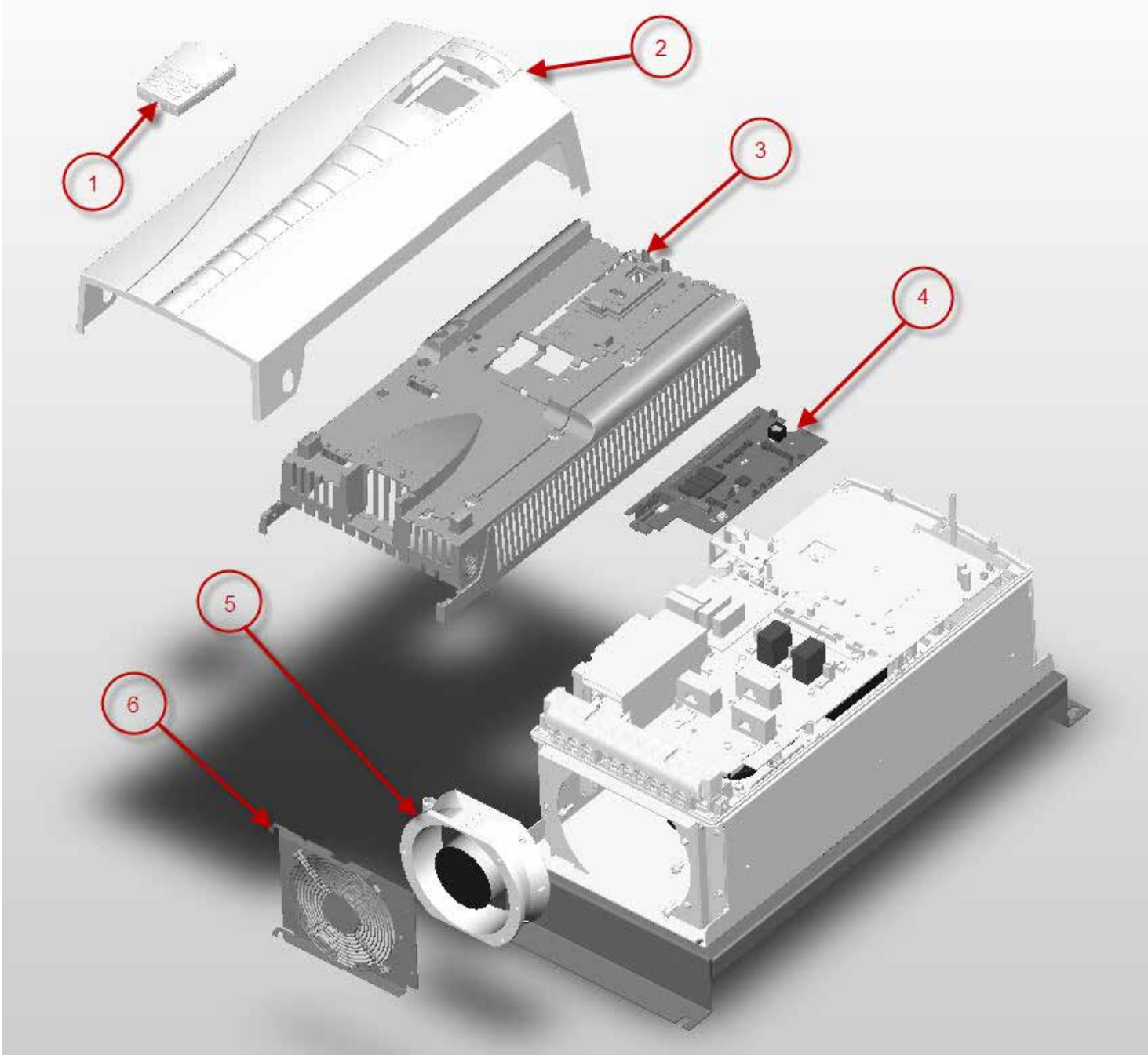


ACH550-UH drive spare parts for frames R3-R4

Item	Part Number	Description	230Vac				460Vac				600Vac							
			-UH-046A-2	-UH-059A-2	-UH-075A-2	-UH-088A-2	-UH-114A-2	-UH-031A-4	-UH-038A-4	-UH-045A-4	-UH-059A-4	-UH-072A-4	-UH-078A-4	-UH-097A-4	-UH-032A-6	-UH-041A-6	-UH-052A-6	-UH-062A-6
1 - Control Panel	64738984	Control Panel, ACH-CP-B with Connector	1	1	1	1	1	1	1	1	1	1	1	1	1	1	1	1
2 - Covers UL Type 1	3AUA0000001395	R3 IP21 Cover	1	1				1	1	1								
	3AUA0000001396	R4 IP21 Cover			1	1	1				1	1	1	1	1	1	1	1
2 - Covers UL Type 12, +B055 not shown	3AUA00000003819	R3 IP54 Cover	1	1				1	1	1								
	3AUA00000003820	R4 IP54 Cover			1	1	1				1	1	1	1	1	1	1	1
	68228476	IP54 Door For Panel Access	1	1	1	1	1	1	1	1	1	1	1	1	1	1	1	1
3 - Skeleton	3AUA0000001391	R3 Skeleton Assembly	1	1				1	1	1								
	3AUA0000001392	R4 Skeleton Assembly			1	1	1				1	1	1	1	1	1	1	1
4 - Control Board	3AUA00000010562	Kit, ACH550 Control Board W/ BACNET, SMIO-01C	1	1	1	1	1	1	1	1	1	1	1	1	1	1	1	1
5 - Fans UL Type 1	3AUA00000006978	Heatsink Fan, ACH550 R3	1	1				1	1	1			2					
	3AUA00000011924	R3 Fan Retainer *	1	1				1	1	1								
	3AUA0000000147	Heatsink Fan, ACH550 R4			1	1	1				1	1	1		1	1	1	1
	3AUA0000001308	R4 Fan Retainer *			1	1	1				1	1	1		1	1	1	1
	3AUA00000006983	R4 Fan Retainer, 097A-4 Only *									1	1	1					
5 - Fans UL Type 12, +B055 not shown	3AUA00000006978	Heatsink Fan, ACH550 R3	1	1				1	1	1			2					
	3AUA00000011924	R3 Fan Retainer *	1	1				1	1	1								
	3AUA0000000147	Heatsink Fan, ACH550 R4			1	1	1				1	1	1		1	1	1	1
	3AUA0000001308	R4 Fan Retainer *			1	1	1				1	1	1		1	1	1	1
	3AUA00000006983	R4 Fan Retainer, 097A-4 Only *												1				
	3AUA0000000148	Internal IP54 cooling fan for ACH550	1	1	1	1	1	1	1	1	1	1	1	1	1	1	1	1

* Note: It is recommended to replace the fan retainer when replacing the fan.

ACH550-UH drive spare parts for frames R5-R6

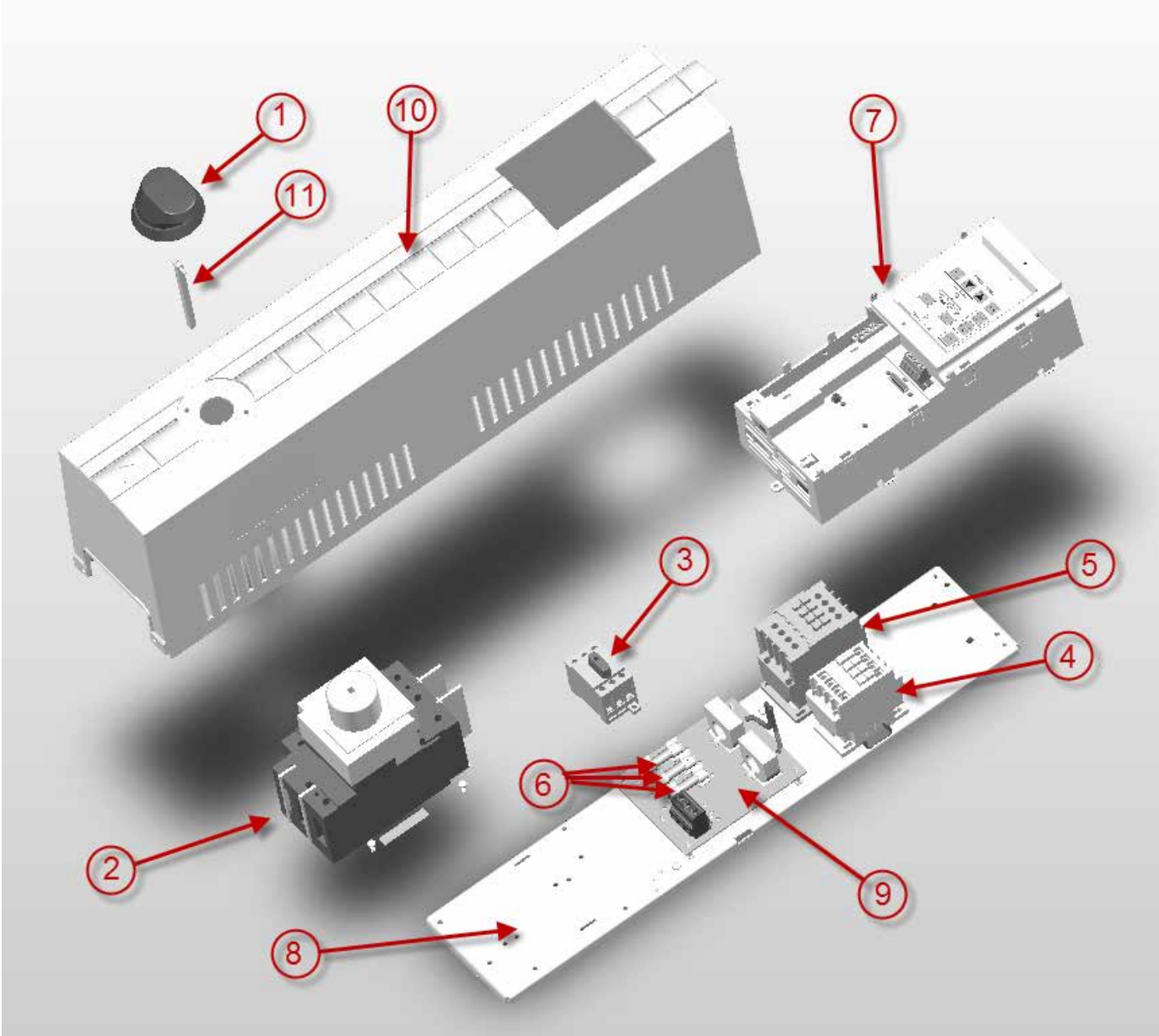


ACH550-UH drive spare parts for frames R5-R6

Item	Part Number	Description	230Vac				460Vac				600Vac			
			-UH-143A-2	-UH-178A-2	-UH-221A-2	-UH-248A-2	-UH-125A-4	-UH-157A-4	-UH-180A-4	-UH-246A-4	-UH-077A-6	-UH-099A-6	-UH-125A-6	-UH-144A-6
1 - Control Panel	64738984	Control Panel, ACH-CP-B with Connector	1	1	1	1	1	1	1	1	1	1	1	1
2 - Covers	64690230	R5 IP21 Cover					1							
UL Type 1	64732528	R6 IP21 Cover	1	1	1	1		1	1	1	1	1	1	1
2 - Covers	68232856	R5 IP54 Cover					1							
UL Type 12, +B055	68232872	R6 IP54 Cover	1	1	1	1		1	1	1	1	1	1	1
not shown	68228476	IP54 Door For Panel Access	1	1	1	1	1	1	1	1	1	1	1	1
3 - Skeleton	64734351	R5 Skeleton Assembly					1							
	64732684	R6 Skeleton Assembly	1	1	1	1		1	1	1	1	1	1	1
4 - Control Board	3AUA0000010562	Kit, ACH550 Control Board W/ BACNET, SMIO-01C	1	1	1	1	1	1	1	1	1	1	1	1
5 - Fans	68630690	Heatsink Fan, ACH550 R5					1							
UL Type 1	3AUA0000019968	Heatsink Fan, ACH550 R6	1	1	1	1		1	1	1	1	1	1	1
	63998931	Internal Fan, ACH550	2	2	2	2		2	2	2	2	2	2	2
5 - Fans	68630690	Heatsink Fan, ACH550 R5					1							
UL Type 12, +B055	3AUA0000019966	Heatsink Fan, ACH550 R6	1	1	1	1		1	1	1	1	1	1	1
not shown	63998931	Internal Fan, ACH550	2	2	2	2	1	2	2	2	2	2	2	2
6 - Fan Retainers	68635241	R5 Fan Housing Assembly					1							
	3AUA0000035619	R6 Fan Housing Assembly	1	1	1	1		1	1	1	1	1	1	1

* Note: It is recommended to replace the fan retainer when replacing the fan.

E-Clipse VCR - Enclosure Designation V1 - V2



E-Clipse VCR - Enclosure Designation V1 -V2

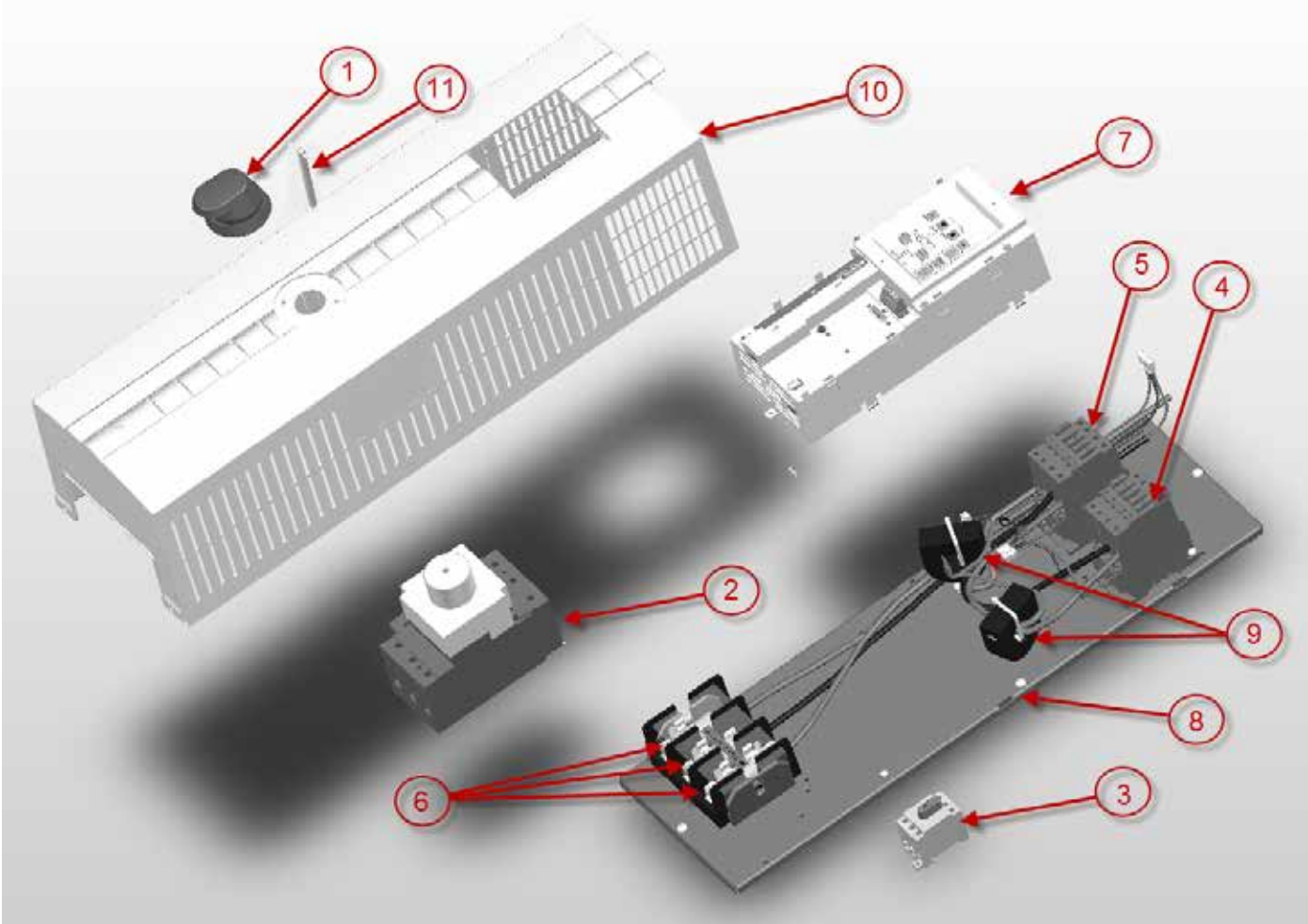
E-Clipse -VCR - Enclosure Designation V1

Item	Part Number	Description	230Vac					460Vac				
			-VCR-04A6-2	-VCR-06A6-2	-VCR-07A5-2	-VCR-012A-2	-VCR-017A-2	-VCR-03A3-4	-VCR-04A1-4	-VCR-06A9-4	-VCR-08A8-4	-VCR-012A-4
1 - Handle	3AUA0000018081	Handle, OHB65J6B 6mm Shaft w/Reset	1	1	1	1	1	1	1	1	1	1
2 - Circuit Breaker	3AUA0000019663	Kit, MCB & Accessories, T2H 15A	1	1	1	1		1	1	1	1	1
	3AUA0000016652	Kit, MCB & Accessories, T2H 40A					1					
3 - Service Switch +F267	3AUA0000045848	Switch-Service (40A Switch)	1	1	1	1	1	1	1	1	1	1
4 - Contactor, Bypass	3AUA0000045855	Contactor-Byp (11A/25A Bypass contactor)	1	1	1	1		1	1	1	1	1
	3AUA0000045856	Contactor-Byp (28A/40A Bypass contactor)					1					
5 - Contactor, Drive	3AUA0000045866	Contactor-Drive (9A/21A Drive Contactor)	1	1	1	1		1	1	1	1	1
	3AUA0000045867	Contactor-Drive (11A/25A Drive Contactor)					1					
6 - Drive Fuses	3AUA0000045877	Fuses-Main (15A, 600V, CLASS CC - Kit of 3)	1	1	1	1		1	1	1	1	1
	3AUA0000045878	Fuses-Main (30A, 600V, CLASS CC - Kit of 3)					1					
7 - Bypass Control (RBCU)	3AUA0000034480	Control-Bypass (E-Clipse Bypass Control Unit)	1	1	1	1	1	1	1	1	1	1
8 - Contactor Panel	3AUA0000045894	ContactorAssy (RCSA-011 Contactor Panel)	1	1	1	1		1	1	1	1	1
	3AUA0000045895	ContactorAssy (RCSA-021 Contactor Panel)					1					
9 - Current Transformer	3AUA0000056483	Res-Brden/CT Assy (25A CT Kit)	1	1	1	1		1	1	1	1	1
	3AUA0000056484	Res-Brden/CT Assy (25A CT Kit)					1					
10 - Cover	3AUA0000014214	Plastic Housing, Bypass Cover V1-2	1	1	1	1	1	1	1	1	1	1
11 - Shaft, Handle	3AUA0000051567	Shaft, 6mm X 97mm	1	1	1	1	1	1	1	1	1	1

E-Clipse -VCR - Enclosure Designation V2

Item	Part Number	Description	230Vac	460Vac	600Vac							
			-VCR-024A-2	-VCR-015A-4	-VCR-023A-4	-VCR-02A7-6	-VCR-03A9-6	-VCR-06A1-6	-VCR-09A0-6	-VCR-011A-6	-VCR-017A-6	
1 - Handle	3AUA0000018081	Handle, OHB65J6B 6mm Shaft w/Reset	1	1	1	1	1	1	1	1	1	1
2 - Circuit Breaker	3AUA0000016652	Kit, MCB & Accessories, T2H 40A	1	1	1							
	3AUA0000040638	Kit, MCB T1N 25A, 600V				1	1	1	1	1	1	1
3 - Service Switch +F267	3AUA0000045848	Switch-Service (40A Switch)	1	1	1	1	1	1	1	1	1	1
4 - Contactor, Bypass	3AUA0000045856	Contactor-Byp (28A/40A Bypass contactor)	1	1	1	1	1	1	1	1	1	1
5 - Contactor, Drive	3AUA0000045867	Contactor-Drive (11A/25A Drive Contactor)	1	1	1	1	1	1	1	1	1	1
6 - Drive Fuses	3AUA0000045878	Fuses-Main (30A, 600V, CLASS CC - Kit of 3)	1	1	1	1	1	1	1	1	1	1
7 - Bypass Control (RBCU)	3AUA0000034480	Control-Bypass (E-Clipse Bypass Control Unit)	1	1	1	1	1	1	1	1	1	1
8 - Contactor Panel	3AUA0000045895	ContactorAssy (RCSA-021 Contactor Panel)	1	1	1	1	1	1	1	1	1	1
9 - Current Transformer	3AUA0000056484	Res-Brden/CT Assy (25A CT Kit)	1	1	1	1	1	1	1	1	1	1
10 - Cover	3AUA0000014214	Plastic Housing, Bypass Cover V1-2	1	1	1	1	1	1	1	1	1	1
11 - Shaft, Handle	3AUA0000018718	Shaft, 6mm x 103mm	1	1	1	1	1	1	1	1	1	1

E-Clipse VCR - Enclosure Designation V3 - V4



E-Clipse VCR - Enclosure Designation V3 -V4

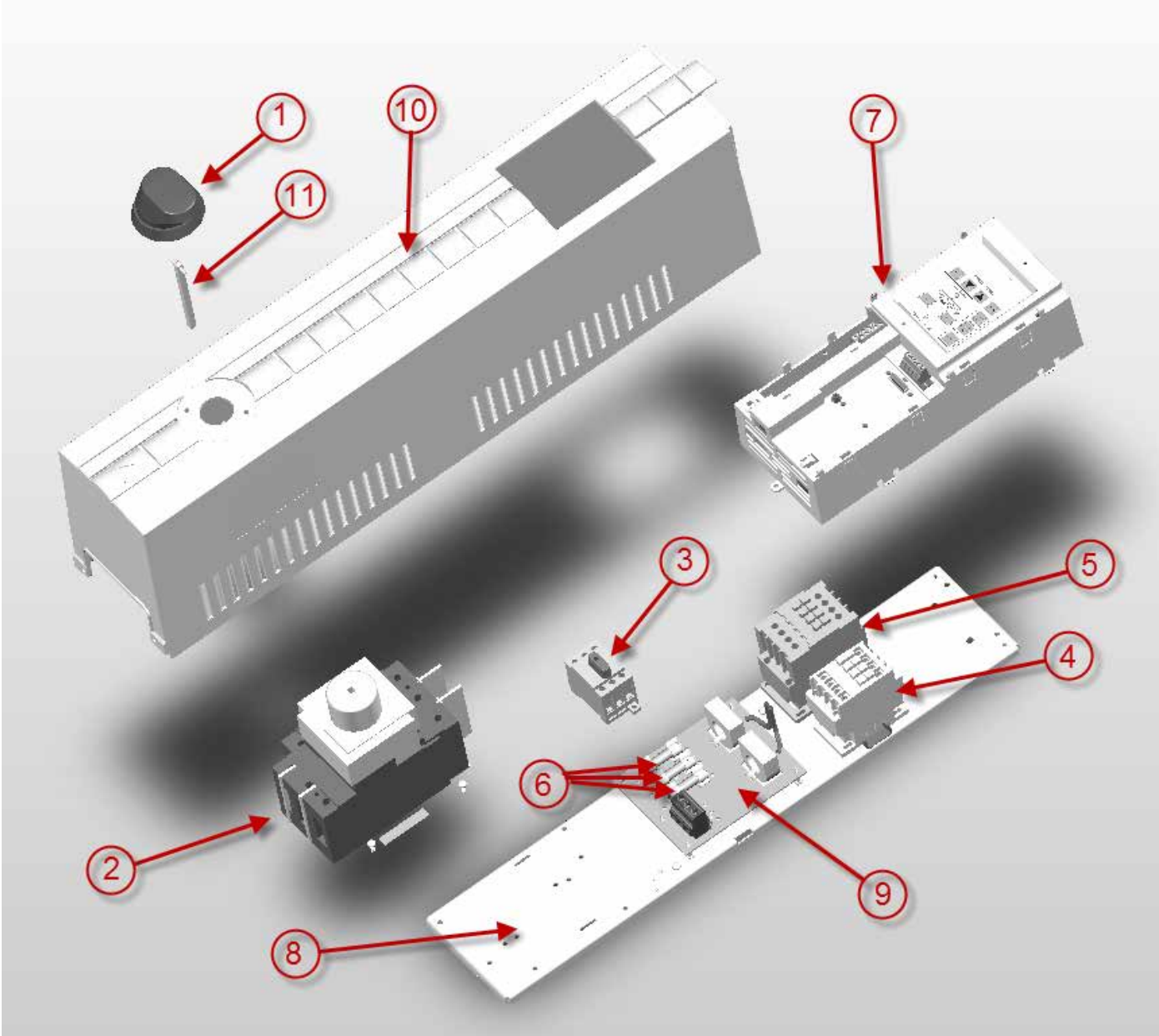
E-Clipse -VCR - Enclosure Designation V3

Item	Part Number	Description	230Vac			460Vac			600Vac	
			-VCR-031A-2	-VCR-046A-2	-VCR-059A-2	-VCR-031A-4	-VCR-038A-4	-VCR-045A-4	-VCR-022A-6	-VCR-027A-6
1 - Handle	3AUA0000018081	Handle, OHB65J6B 6mm Shaft w/Reset	1	1	1	1	1	1	1	1
2 - Circuit Breaker	3AUA0000016653	Kit, MCB & Accessories, T2H 60A	1			1	1	1		
	3AUA0000016654	Kit, MCB & Accessories, T2H 100A		1	1					
	3AUA0000040639	Kit, MCB & Accessories, T1N 40A, 600V							1	1
3 - Service Switch +F267	3AUA0000045848	Switch-Service (40A Switch)	1			1			1	1
	3AUA0000045849	Switch-Service (80A Switch)		1	1		1	1		
4 - Contactor, Bypass	3AUA0000045857	Contactor-Byp (42A/60A Bypass contactor)	1			1	1	1	1	1
	3AUA0000045858	Contactor-Byp (80A/105A Bypass contactor)		1	1					
5 - Contactor, Drive	3AUA0000045868	Contactor-Drive (34A/50A Drive Contactor)	1			1	1	1	1	1
	3AUA0000045869	Contactor-Drive (54A/80A Drive Contactor)		1	1					
6 - Drive Fuses	3AUA0000045879	Fuses-Main (60A, 600V, CLASS T - Kit of 3)	1			1	1	1	1	1
	3AUA0000045880	Fuses-Main (100A, 600V, CLASS T - Kit of 3)		1	1					
7 - Bypass Control (RBCU)	3AUA0000034480	Control-Bypass (E-Clipse Bypass Control Unit)	1	1	1	1	1	1	1	1
8 - Contactor Panel	3AUA0000045896	ContactorAssy (RCSA-031 Contactor Panel)	1			1	1	1	1	1
	3AUA0000045897	ContactorAssy (RCSA-041 Contactor Panel)		1	1					
9 - Current Transformer	3AUA0000056485	Res-Brden/CT Assy (75A CT Kit)	1	1	1	1	1	1	1	1
10 - Cover	3AUA0000014385	Plastic Housing, Bypass Cover V3-4	1	1	1	1	1	1	1	1
11 - Shaft, Handle	3AUA0000018719	Shaft, 6mm x 81mm	1	1	1	1	1	1	1	1

E-Clipse -VCR - Enclosure Designation V4

Item	Part Number	Description	230Vac	460Vac				600Vac			
			-VCR-075A-2	-VCR-059A-4	-VCR-072A-4	-VCR-078A-4	-VCR-032A-6	-VCR-041A-6	-VCR-052A-6	-VCR-062A-6	
1 - Handle	3AUA0000018081	Handle, OHB65J6B 6mm Shaft w/Reset	1	1	1	1	1	1	1	1	1
2 - Circuit Breaker	3AUA0000016654	Kit, MCB & Accessories, T2H 100A	1	1	1	1					
	3AUA0000045847	Switch-Main (80A CB w/ Operating Mechanism)					1	1	1	1	1
3 - Service Switch +F267	3AUA0000045849	Switch-Service (80A Switch)		1			1	1	1	1	1
	3AUA0000045850	Switch-Service (100A Switch)	1		1	1					
4 - Contactor, Bypass	3AUA0000045858	Contactor-Byp (80A/105A Bypass contactor)	1	1	1	1	1	1	1	1	1
5 - Contactor, Drive	3AUA0000045869	Contactor-Drive (54A/80A Drive Contactor)	1	1	1	1	1	1	1	1	1
6 - Drive Fuses	3AUA0000045880	Fuses-Main (100A, 600V, CLASS T - Kit of 3)	1	1	1	1	1	1	1	1	1
7 - Bypass Control Brd (RBCU)	3AUA0000034480	Control-Bypass (E-Clipse Bypass Control Unit)	1	1	1	1	1	1	1	1	1
8 - Contactor Panel	3AUA0000045897	ContactorAssy (RCSA-041 Contactor Panel)	1	1	1	1	1	1	1	1	1
9 - Current Transformer	3AUA0000056485	Res-Brden/CT Assy (75A CT Kit)	1	1	1	1	1	1	1	1	1
10 - Cover	3AUA0000014385	Plastic Housing, Bypass Cover V3-4	1	1	1	1	1	1	1	1	1
11 - Shaft, Handle	3AUA0000018720	Shaft, 6mm x 110mm	1	1	1	1	1	1	1	1	1

E-Cclipse VDR - Enclosure Designation V1 - V2



E-Clipse VDR - Enclosure Designation V1 -V2

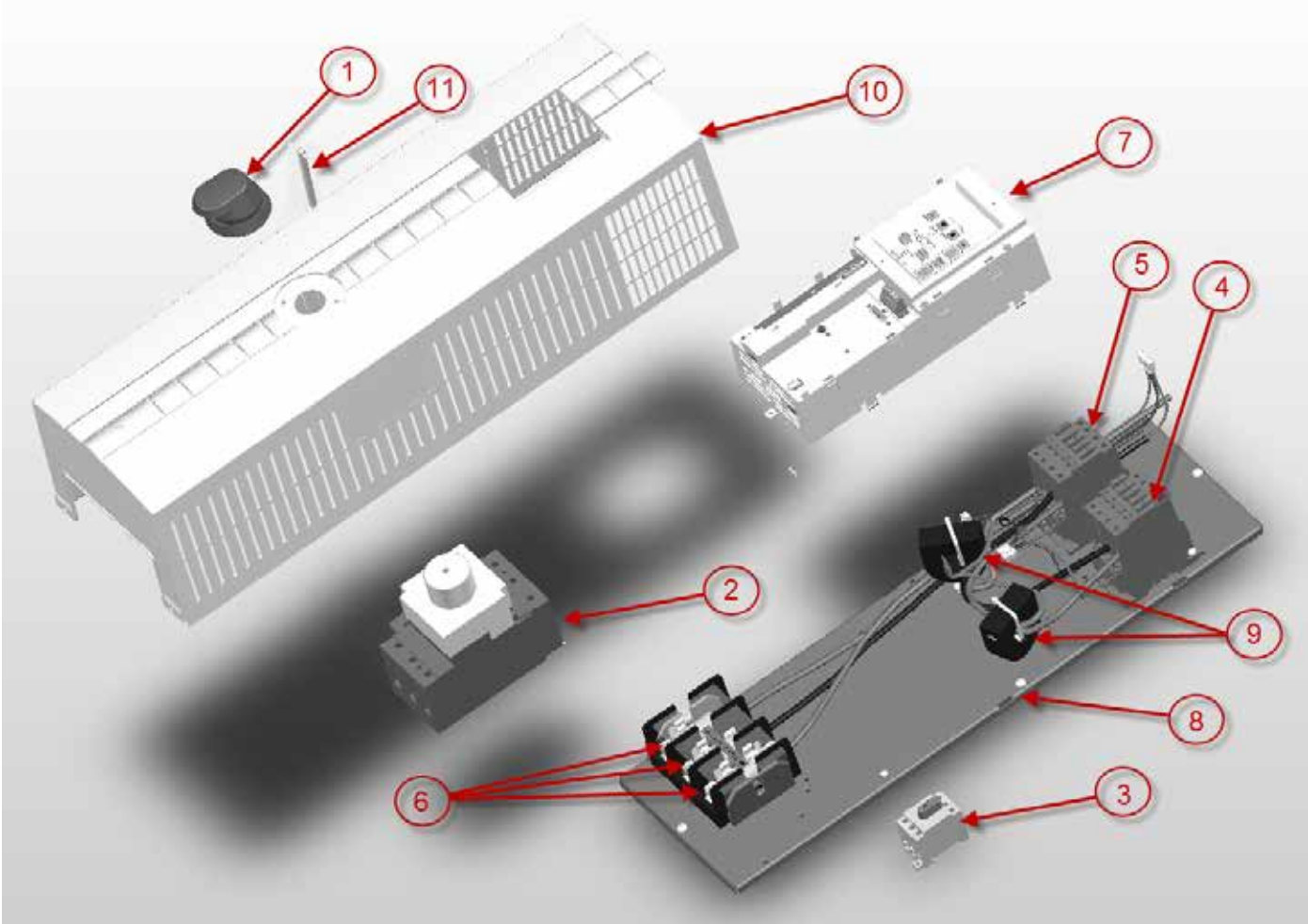
E-Clipse -VDR - Enclosure Designation V1

Item	Part Number	Description	230Vac					460Vac				
			-VDR-04A6-2	-VDR-06A6-2	-VDR-07A5-2	-VDR-012A-2	-VDR-017A-2	-VDR-03A3-4	-VDR-04A1-4	-VDR-06A9-4	-VDR-08A8-4	-VDR-012A-4
1 - Handle	OHB65J6	Main Switch - Handle	1	1	1	1	1	1	1	1	1	1
2 - Main Switch	3AUA0000045402	Switch-Main (40A Disconnect Switch)	1	1	1	1	1	1	1	1	1	1
3 - Service Switch +F267	3AUA0000045848	Switch-Service (40A Switch)	1	1	1	1	1	1	1	1	1	1
4 - Contactor,Bypass	3AUA0000045855	Contactor-Byp (11A/25A Bypass contactor)	1	1	1	1		1	1	1	1	1
	3AUA0000045856	Contactor-Byp (28A/40A Bypass contactor)					1					
5 - Contactor, Drive	3AUA0000045866	Contactor-Drive (9A/21A Drive Contactor)	1	1	1	1		1	1	1	1	1
	3AUA0000045867	Contactor-Drive (11A/25A Drive Contactor)					1					
6 - Drive Fuses	3AUA0000045877	Fuses-Main (15A, 600V, CLASS CC - Kit of 3)	1	1	1	1		1	1	1	1	1
	3AUA0000045878	Fuses-Main (30A, 600V, CLASS CC - Kit of 3)					1					
7 - Bypass Control (RBCU)	3AUA0000034480	Control-Bypass (E-Clipse Bypass Control Unit)	1	1	1	1	1	1	1	1	1	1
8 - Contactor Panel	3AUA0000045894	ContactorAssy (RCSA-011 Contactor Panel)	1	1	1	1		1	1	1	1	1
	3AUA0000045895	ContactorAssy (RCSA-021 Contactor Panel)					1					
9 - Current Transformer	3AUA0000056483	Res-Brden/CT Assy (25A CT Kit)	1	1	1	1		1	1	1	1	1
	3AUA0000056484	Res-Brden/CT Assy (25A CT Kit)					1					
10 - Cover	3AUA0000014214	Plastic Housing, Bypass Cover V1-2	1	1	1	1	1	1	1	1	1	1
11 - Shaft, Handle	3AUA0000049883	Shaft, 6mm X 184mm	1	1	1	1	1	1	1	1	1	1

E-Clipse -VDR - Enclosure Designation V2

Item	Part Number	Description	230Vac	460Vac		600Vac					
			-VCR-024A-2	-VDR-015A-4	-VDR-023A-4	-VDR-02A7-6	-VDR-03A9-6	-VDR-06A1-6	-VDR-09A0-6	-VDR-011A-6	-VDR-017A-6
1 - Handle	OHB65J6	Main Switch - Handle	1	1	1	1	1	1	1	1	1
2 - Main Switch	3AUA0000045402	Switch-Main (40A Disconnect Switch)	1	1	1	1	1	1	1	1	1
3 - Service Switch +F267	3AUA0000045848	ACX550-SP-Encl+SP420/1 (40A Switch)	1	1	1	1	1	1	1	1	1
4 - Contactor, Bypass	3AUA0000045856	Contactor-Byp (28A/40A Bypass contactor)	1	1	1	1	1	1	1	1	1
5 - Contactor, Drive	3AUA0000045867	Contactor-Drive (11A/25A Drive Contactor)	1	1	1	1	1	1	1	1	1
6 - Drive Fuses	3AUA0000045878	Fuses-Main (30A, 600V, CLASS CC - Kit of 3)	1	1	1	1	1	1	1	1	1
7 - Bypass Control (RBCU)	3AUA0000034480	Control-Bypass (E-Clipse Bypass Control Unit)	1	1	1	1	1	1	1	1	1
8 - Contactor Panel	3AUA0000045895	ContactorAssy (RCSA-021 Contactor Panel)	1	1	1	1	1	1	1	1	1
9 - Current Transformer	3AUA0000056484	Res-Brden/CT Assy (25A CT Kit)	1	1	1	1	1	1	1	1	1
10 - Cover	3AUA0000014214	Plastic Housing, Bypass Cover V1-2	1	1	1	1	1	1	1	1	1
11 - Shaft, Handle	3AUA0000049884	Shaft, 6mm X 195mm	1	1	1	1	1	1	1	1	1

E-Cclipse VDR - Enclosure Designation V3 - V4



E-Clipse VDR - Enclosure Designation V3 -V4

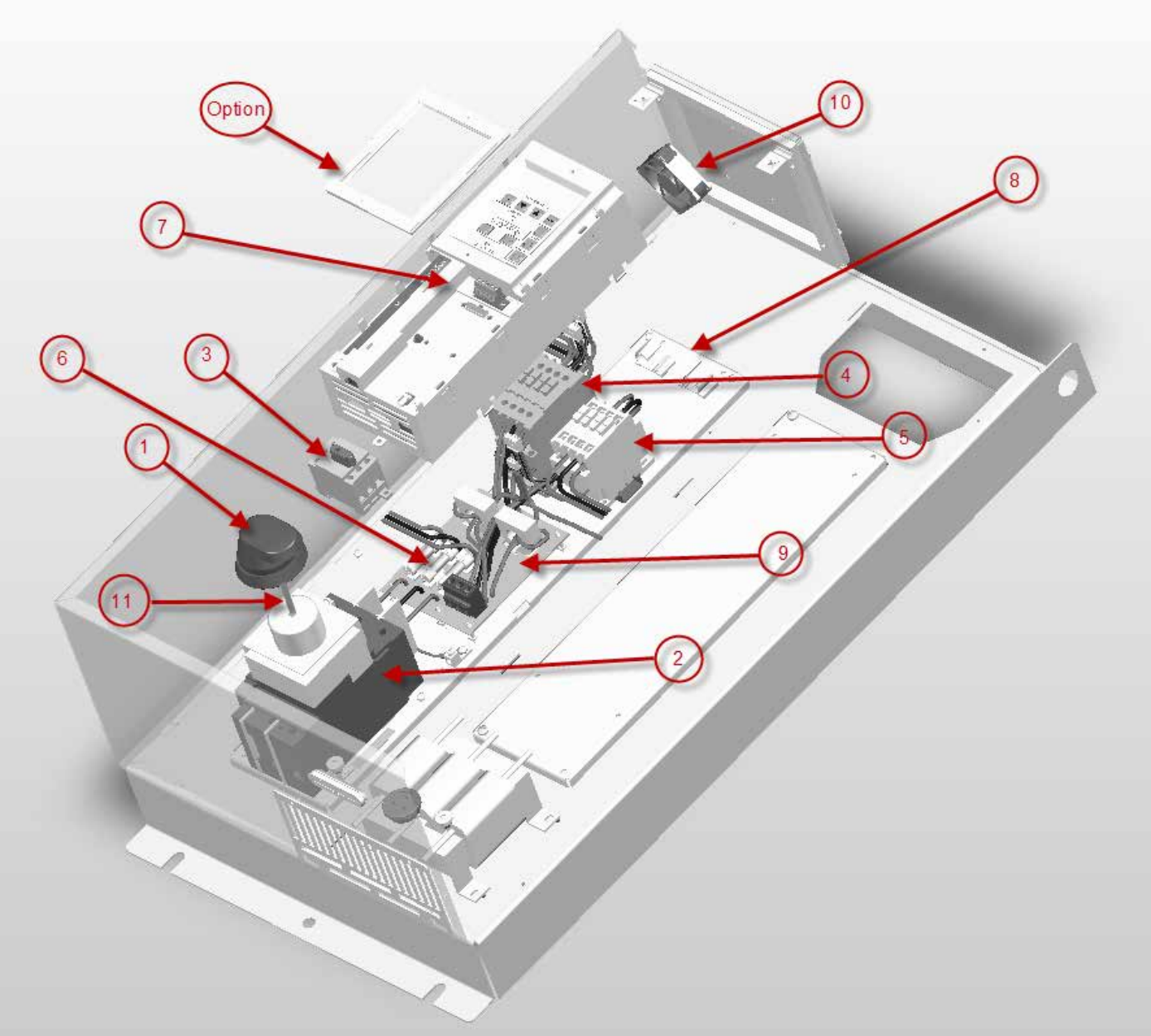
E-Clipse -VDR - Enclosure Designation V3

Item	Part Number	Description	230Vac			460Vac			600Vac	
			-VDR-031A-2	-VDR-046A-2	-VDR-059A-2	-VDR-031A-4	-VDR-038A-4	-VDR-045A-4	-VDR-022A-6	-VDR-027A-6
1 - Handle	OHB65J6	Main Switch - Handle	1	1	1	1	1	1	1	1
2 - Main Switch	3AUA0000045402	Switch-Main (40A Disconnect Switch)	1			1			1	1
	3AUA0000045830	Disconnect Switch, 80A,600V, 3P		1	1		1	1		
3 - Service Switch +F267	3AUA0000045848	Switch-Service (40A Switch)	1			1			1	1
	3AUA0000045849	Switch-Service (80A Switch)		1	1		1	1		
4 - Contactor, Bypass	3AUA0000045857	Contactor-Byp (42A/60A Bypass contactor)	1			1	1	1	1	1
	3AUA0000045858	Contactor-Byp (80A/105A Bypass contactor)		1	1					
5 - Contactor, Drive	3AUA0000045868	Contactor-Drive (34A/50A Drive Contactor)	1			1	1	1	1	1
	3AUA0000045869	Contactor-Drive (54A/80A Drive Contactor)		1	1					
6 - Drive Fuses	3AUA0000045879	Fuses-Main (60A, 600V, CLASS T - Kit of 3)	1			1	1	1	1	1
	3AUA0000045880	Fuses-Main (100A, 600V, CLASS T - Kit of 3)		1	1					
7 - Bypass Control (RBCU)	3AUA0000034480	Control-Bypass (E-Clipse Bypass Control Unit)	1	1	1	1	1	1	1	1
8 - Contactor Panel	3AUA0000045896	ContactorAssy (RCSA-031 Contactor Panel)	1			1	1	1	1	1
	3AUA0000045897	ContactorAssy (RCSA-041 Contactor Panel)		1	1					
9 - Current Transformer	3AUA0000056485	Res-Brden/CT Assy (75A CT Kit)	1	1	1	1	1	1	1	1
10 - Cover	3AUA0000014385	Plastic Housing, Bypass Cover V3-4	1	1	1	1	1	1	1	1
11 - Shaft, Handle	3AUA0000049885	Shaft, 6mm X 168mm	1			1			1	1
	3AUA0000049886	Shaft, 6mm X 149mm		1	1		1	1		

E-Clipse -VDR - Enclosure Designation V4

Item	Part Number	Description	230Vac		460Vac			600Vac		
			-VDR-075A-2	-VDR-059A-4	-VDR-072A-4	-VDR-078A-4	-VDR-032A-6	-VDR-041A-6	-VDR-052A-6	-VDR-062A-6
1 - Handle	OHB65J6	Main Switch - Handle	1	1	1	1	1	1	1	1
2 - Main Switch	3AUA0000045841	Switch-Main (125A Disconnect Switch)				1				1
	3AUA0000045830	Disconnect Switch, 80A,600V, 3P		1			1	1		
	3AUA0000045832	Disconnect Switch, 100A,600V, 3P	1		1				1	
3 - Service Switch +F267	3AUA0000045849	Switch-Service (80A Switch)		1			1	1	1	1
	3AUA0000045850	Switch-Service (100A Switch)	1		1	1				
4 - Contactor, Bypass	3AUA0000045858	Contactor-Byp (80A/105A Bypass contactor)	1	1	1	1	1	1	1	1
5 - Contactor, Drive	3AUA0000045869	Contactor-Drive (54A/80A Drive Contactor)	1	1	1	1	1	1	1	1
6 - Drive Fuses	3AUA0000045880	Fuses-Main (100A, 600V, CLASS T - Kit of 3)	1	1	1	1	1	1	1	1
7 - Bypass Control (RBCU)	3AUA0000034480	Control-Bypass (E-Clipse Bypass Control Unit)	1	1	1	1	1	1	1	1
8 - Contactor Panel, Complete	3AUA0000045897	ContactorAssy (RCSA-041 Contactor Panel)	1	1	1	1	1	1	1	1
9 - Current Transformer	3AUA0000056485	Res-Brden/CT Assy (75A CT Kit)	1	1	1	1	1	1	1	1
10 - Cover	3AUA0000014385	Plastic Housing, Bypass Cover V3-4	1	1	1	1	1	1	1	1
11 - Shaft, Handle	3AUA0000049888	Shaft, 6mm X 175mm	1		1				1	
	3AUA0000018711	Shaft, 6mm x 226mm				1				1
	3AUA0000049887	Shaft, 6mm X 181mm		1			1	1		

E-Cclipse BCR - Enclosure Designation B1

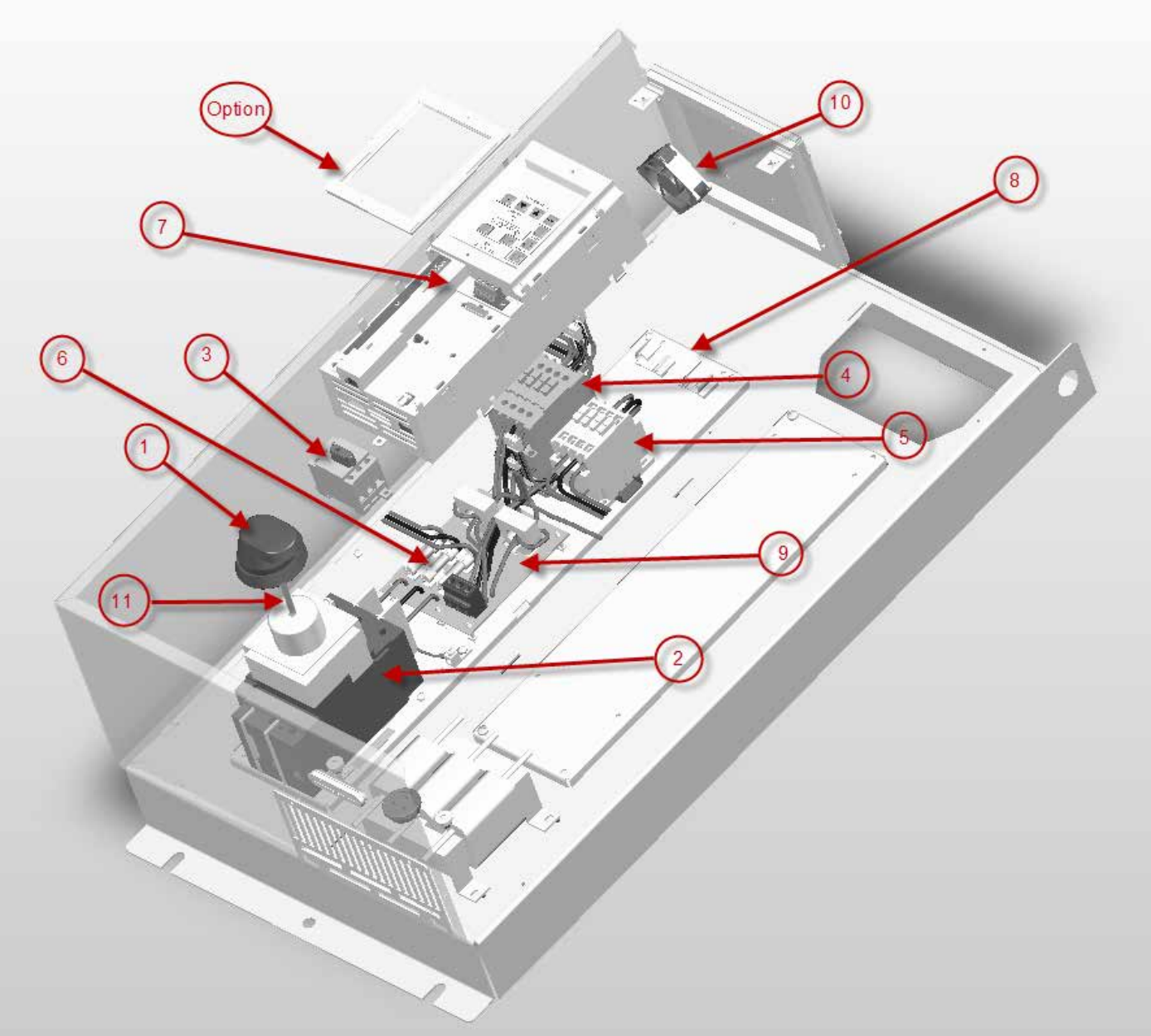


E-Clipse BCR - Enclosure Designation B1

E-Clipse -BCR - Enclosure Designation B1

Item	Part Number	Description	230Vac						460Vac						600Vac						
			-BCR-04A6-2	-BCR-06A6-2	-BCR-07A5-2	-BCR-012A-2	-BCR-017A-2	-BCR-024A-2	-BCR-03A3-4	-BCR-04A1-4	-BCR-06A9-4	-BCR-08A8-4	-BCR-012A-4	-BCR-015A-4	-BCR-023A-4	-BCR-02A7-6	-BCR-03A9-6	-BCR-06A1-6	-BCR-09A0-6	-BCR-011A-6	-BCR-017A-6
1 - Handle	3AUA0000018081	Handle, OHB65J6B 6mm Shaft w/Reset	1	1	1	1	1	1	1	1	1	1	1	1	1	1	1	1	1	1	1
2 - Circuit Breaker	3AUA0000019663	Kit, MCB & Accessories, T2H 15A	1	1	1	1			1	1	1	1	1								
	3AUA0000016652	Kit, MCB & Accessories, T2H 40A					1	1						1	1						
	3AUA0000040638	Kit, MCB T1N 25A, 600V													1	1	1	1	1	1	1
3 - Service Switch +F267	3AUA0000045848	Switch-Service (40A Switch)	1	1	1	1	1	1	1	1	1	1	1	1	1	1	1	1	1	1	1
4 -Contactor, Bypass	3AUA0000045855	Contactor-Byp (11A/25A Bypass contactor)	1	1	1	1			1	1	1	1	1								
	3AUA0000045856	Contactor-Byp (28A/40A Bypass contactor)					1	1						1	1	1	1	1	1	1	1
5 - Contactor, Drive	3AUA0000045866	Contactor-Drive (9A/21A Drive Contactor)	1	1	1	1			1	1	1	1	1								
	3AUA0000045867	Contactor-Drive (11A/25A Drive Contactor)					1	1						1	1	1	1	1	1	1	1
6 - Main Fuses	3AUA0000045877	Fuses-Main (15A, 600V, CLASS CC - Kit of 3)	1	1	1	1			1	1	1	1	1								
	3AUA0000045878	Fuses-Main (30A, 600V, CLASS CC - Kit of 3)					1	1						1	1	1	1	1	1	1	1
7 - Bypass Control (RBCU)	3AUA0000034480	Control-Bypass (E-Clipse Bypass Control Unit)	1	1	1	1	1	1	1	1	1	1	1	1	1	1	1	1	1	1	1
8 - Contactor Ass'y	3AUA0000045894	ContactorAssy (RCSA-011 Contactor Panel)	1	1	1	1			1	1	1	1	1								
	3AUA0000045895	ACX550-SP-Encl+SP640/2					1	1						1	1	1	1	1	1	1	1
9 - Current Transformer	3AUA0000056483	Res-Brden/CT Assy (25A CT Kit)	1	1	1	1			1	1	1	1	1								
	3AUA0000056484	Res-Brden/CT Assy (25A CT Kit)					1	1						1	1	1	1	1	1	1	1
10 - Enclosure Fan	3AUA0000000148	Fan for top of control unit	1	1	1	1	1	1	1	1	1	1	1	1	1	1	1	1	1	1	1
	3AUA0000036399	Screw, M4.2 x 12, Truss Head, T15	2	2	2	2	2	2	2	2	2	2	2	2	2	2	2	2	2	2	2
	3AUA0000003497	Bracket, Mounting IP54 Fan	1	1	1	1	1	1	1	1	1	1	1	1	1	1	1	1	1	1	1
11 - Shaft, Handle	3AUA0000018721	Shaft, 6mm x 120mm	1	1	1	1	1	1	1	1	1	1	1	1	1	1	1	1	1	1	1
	Option +B055, Nema 12 Enclosure	3AUA0000000148	Fan for top of bypass skeleton	1	1	1	1	1	1	1	1	1	1	1	1	1	1	1	1	1	1
	3AUA0000003497	Bracket, Mounting IP54 Fan	1	1	1	1	1	1	1	1	1	1	1	1	1	1	1	1	1	1	1
	3AUA0000003983	Gasket, ACX550 panel holder	1	1	1	1	1	1	1	1	1	1	1	1	1	1	1	1	1	1	1
	3AUA0000014905	Assembly, Bezel TYPE 12	1	1	1	1	1	1	1	1	1	1	1	1	1	1	1	1	1	1	1
Option +B058, Nema 3R Enclosure	3AUA0000012736	Fan for Cab & Drive skeleton	2	2	2	2	2	2	2	2	2	2	2	2	2	2	2	2	2	2	2
	3AUA0000003497	Bracket, Mounting IP54 Fan	1	1	1	1	1	1	1	1	1	1	1	1	1	1	1	1	1	1	1
	3AUA0000014653	Screw, M4x12, Thread forming, PH, T20, Z	2	2	2	2	2	2	2	2	2	2	2	2	2	2	2	2	2	2	2
	3AUA0000047523	Heater, 50W 120V	1	1	1	1	1	1	1	1	1	1	1	1	1	1	1	1	1	1	1
	3AUA0000003983	Gasket, ACX550 panel holder	1	1	1	1	1	1	1	1	1	1	1	1	1	1	1	1	1	1	1
	3AUA0000014905	Assembly, Bezel TYPE 12	1	1	1	1	1	1	1	1	1	1	1	1	1	1	1	1	1	1	1
3AUA0000048829	Assembly, RHTR	1	1	1	1	1	1	1	1	1	1	1	1	1	1	1	1	1	1	1	

E-Cclipse BCR - Enclosure Designation B2

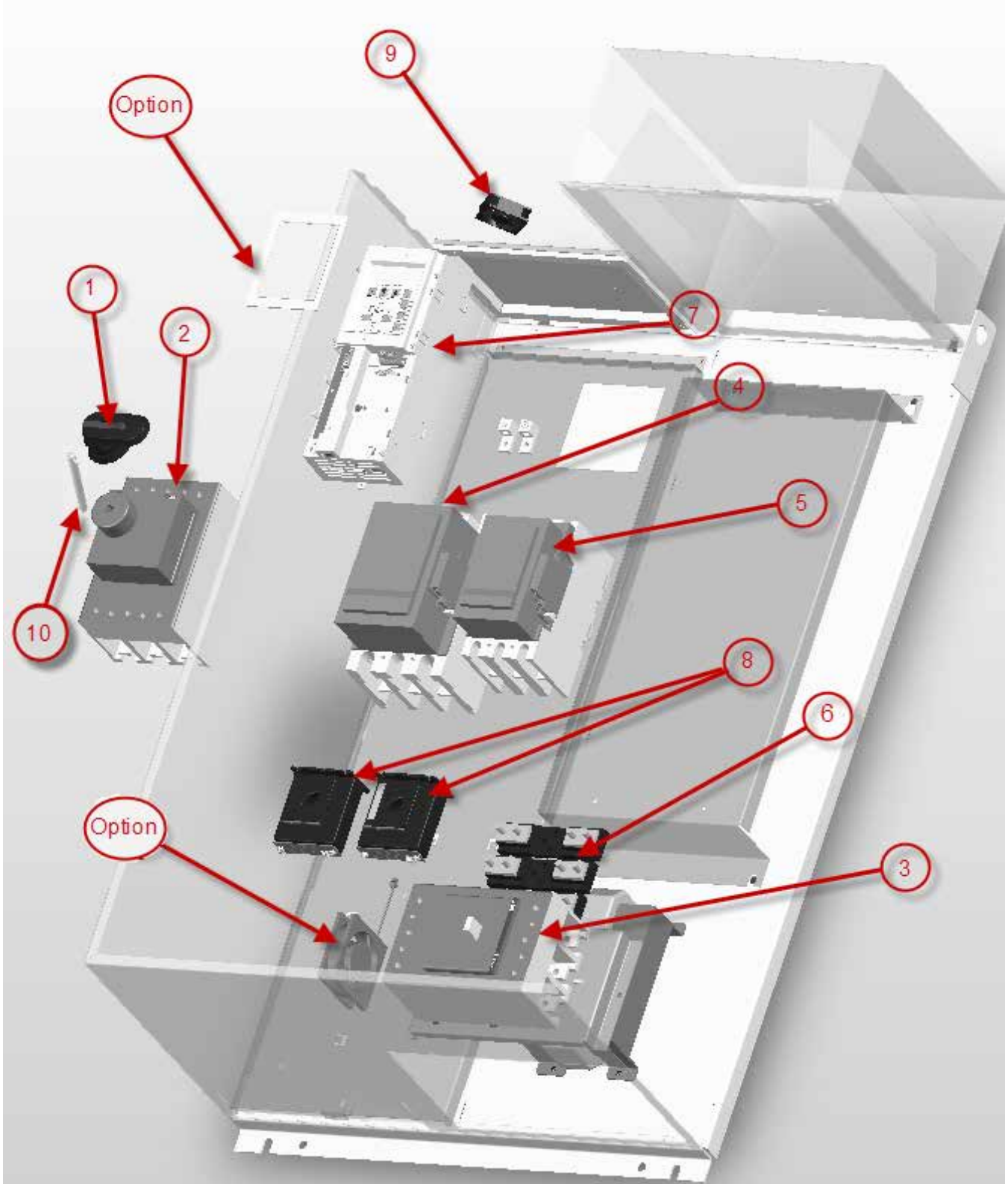


E-Clipse BCR - Enclosure Designation B2

E-Clipse -BCR - Enclosure Designation B2

Item	Part Number	Description	230Vac			460Vac			600Vac										
			-BCR-031A-2	-BCR-046A-2	-BCR-059A-2	-BCR-075A-2	-BCR-031A-4	-BCR-038A-4	-BCR-045A-4	-BCR-059A-4	-BCR-072A-4	-BCR-078A-4	-BCR-022A-6	-BCR-027A-6	-BCR-032A-6	-BCR-041A-6	-BCR-052A-6	-BCR-062A-6	
1 - Handle	3AUA0000018081	Handle, OHB65J6B 6mm Shaft w/Reset	1	1	1	1	1	1	1	1	1	1	1	1	1	1	1	1	1
2 - Circuit Breaker	3AUA0000016653	Kit, MCB & Accessories, T2H 60A	1				1	1	1										
	3AUA0000016654	Kit, MCB & Accessories, T2H 100A		1	1	1				1	1	1							
	3AUA0000040639	Kit, MCB T1N 40A, 600V										1	1						
	3AUA0000045847	Switch-Main (80A CB w/ Operating Mechanism)												1	1	1	1	1	1
3 - Service Switch +F267	3AUA0000045848	Switch-Service (40A Switch)	1				1					1	1						
	3AUA0000045849	Switch-Service (80A Switch)		1	1			1	1	1				1	1	1	1	1	1
	3AUA0000045850	Switch-Service (100A Switch)				1				1	1								
4 - Contactor, Bypass	3AUA0000045857	Contactor-Byp (42A/60A Bypass contactor)	1				1	1	1			1	1						
	3AUA0000045858	Contactor-Byp (80A/105A Bypass contactor)		1	1	1				1	1	1			1	1	1	1	1
5 - Contactor, Drive	3AUA0000045868	Contactor-Drive (34A/50A Drive Contactor)	1				1	1	1			1	1						
	3AUA0000045869	Contactor-Drive (54A/80A Drive Contactor)		1	1	1				1	1	1			1	1	1	1	1
6 - Main Fuses	3AUA0000045879	Fuses-Main (60A, 600V, CLASS T - Kit of 3)	1				1	1	1			1	1						
	3AUA0000045880	Fuses-Main (100A, 600V, CLASS T - Kit of 3)		1	1	1				1	1	1			1	1	1	1	1
7 - Bypass Control (RBCU)	3AUA0000034480	Control-Bypass (E-Clipse Bypass Control Unit)	1	1	1	1	1	1	1	1	1	1	1	1	1	1	1	1	1
8 - Contactor Ass'y	3AUA0000045896	ContactorAssy (RCSA-031 Contactor Panel)	1				1	1	1			1	1						
	3AUA0000045897	ContactorAssy (RCSA-041 Contactor Panel)		1	1	1				1	1	1			1	1	1	1	1
9 - Current Transformer	3AUA0000056485	Res-Brden/CT Assy (75A CT Kit)	1	1	1	1	1	1	1	1	1	1	1	1	1	1	1	1	1
10 - Enclosure Fan	3AUA0000000148	Fan for top of control unit	1	1	1	1	1	1	1	1	1	1	1	1	1	1	1	1	1
	3AUA0000036399	Screw, M4.2 x 12, Truss Head, T15	2	2	2	2	2	2	2	2	2	2	2	2	2	2	2	2	2
	3AUA0000003497	Bracket, Mounting IP54 Fan	1	1	1	1	1	1	1	1	1	1	1	1	1	1	1	1	1
11 - Shaft, Handle	3AUA0000004460	Shaft, 6x6mm 130mm	1	1	1	1	1	1	1	1	1	1	1	1	1	1	1	1	1
Option +B055, Nema 12 Enclosure	3AUA0000000148	Fan for top of bypass skeleton	1	1	1	1	1	1	1	1	1	1	1	1	1	1	1	1	1
	3AUA0000003497	Bracket, Mounting IP54 Fan	1	1	1	1	1	1	1	1	1	1	1	1	1	1	1	1	1
	3AUA0000003983	Gasket, ACX550 panel holder	1	1	1	1	1	1	1	1	1	1	1	1	1	1	1	1	1
	3AUA0000014905	Assembly, Bezel TYPE 12	1	1	1	1	1	1	1	1	1	1	1	1	1	1	1	1	1
Option +B058, Nema 3R Enclosure	3AUA0000012849	Enclosure Fan	1	1	1	1	1	1	1	1	1	1	1	1	1	1	1	1	1
	3AUA0000014653	Screw, M4x12, Thread forming, PH, T20, Z	2	2	2	2	2	2	2	2	2	2	2	2	2	2	2	2	2
	3AUA0000047523	Heater, 50W 120V	1	1	1	1	2	2	2	2	2	2	2	2	2	2	2	2	2
	3AUA0000003983	Gasket, ACX550 panel holder	1	1	1	1	1	1	1	1	1	1	1	1	1	1	1	1	1
	3AUA0000014905	Assembly, Bezel TYPE 12	1	1	1	1	1	1	1	1	1	1	1	1	1	1	1	1	1
	3AUA0000048829	Assembly, RHTR	1	1	1	1	1	1	1	1	1	1	1	1	1	1	1	1	1

E-Clipse BCR - Enclosure Designation B3

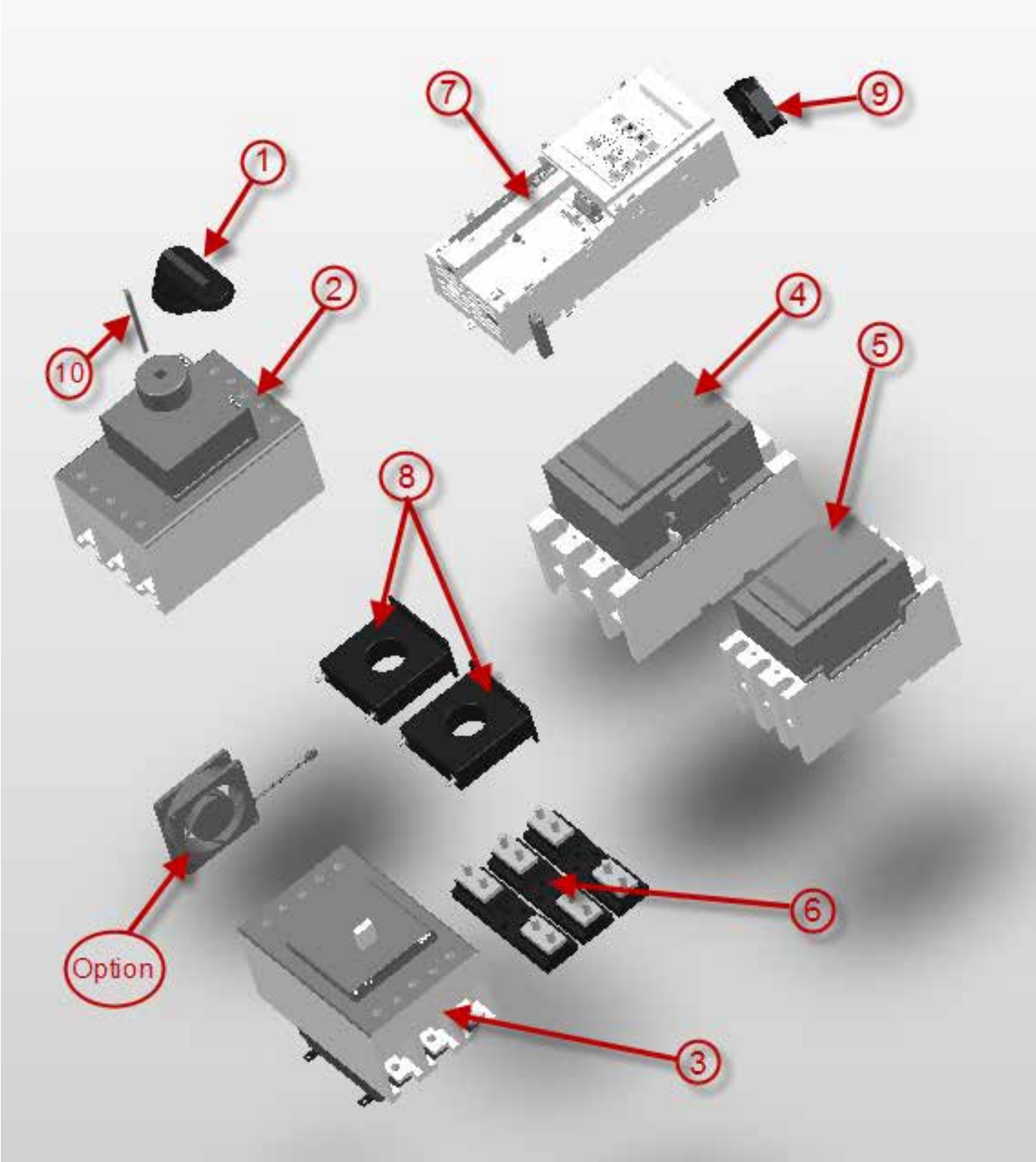


E-Clipse BCR - Enclosure Designation B3

E-Clipse -BCR - Enclosure Designation B3

Item	Part Number	Description	230Vac			460Vac			600Vac								
			-BCR-088A-2	-BCR-114A-2	-BCR-143A-2	-BCR-178A-2	-BCR-221A-2	-BCR-248A-2	-BCR-097A-4	-BCR-125A-4	-BCR-157A-4	-BCR-180A-4	-BCR-246A-4	-BCR-077A-6	-BCR-099A-6	-BCR-125A-6	-BCR-144A-6
1 - Handle	OHB95J10	Handle 95mm UL TYPE 1 3R 12	1	1	1	1	1	1	1	1	1	1	1	1	1	1	1
2 - Circuit Breaker	3AUA0000045834	Switch-Main (150A CB, Lugs, Op Mech)	1	1					1					1	1		
	3AUA0000045837	Switch-Main (250A CB, Lugs, Op Mech)			1	1				1	1	1				1	1
	3AUA0000045838	Switch-Main (400A CB, Lugs, Op Mech)					1	1					1				
3 - Service Switch +F267	3AUA0000045851	Switch-Service (125A Switch)	1	1					1	1				1	1	1	
	3AUA0000045852	Switch-Service (225A Molded Case Switch)			1	1					1	1					1
	3AUA0000045853	Switch-Service (400A Molded Case Switch)					1	1					1				
4 - Contactor, Bypass	3AUA0000045859	Contactor-Byp (95A/125A Bypass contactor)	1											1			
	3AUA0000045861	Contactor-Byp (130A/230A Bypass contactor w/Lugs)		1						1							1
	3AUA0000045862	Contactor-Byp (156A/250A Bypass contactor w/Lugs)			1						1						1
	3AUA0000045863	Contactor-Byp (192A/300A Bypass contactor w/Lugs)				1						1					
	3AUA0000045864	Contactor-Byp (248A/350A Bypass contactor w/Lugs)					1	1					1				
	3AUA0000045860	Contactor-Byp (110A/140A Bypass contactor)								1						1	
5 - Contactor, Drive	3AUA0000045870	Contactor-Drive (95A/125A Drive Contactor)	1	1					1	1				1	1	1	
	3AUA0000045871	Contactor-Drive (130A/230A Drive Contactor)			1	1	1				1	1					1
	3AUA0000045872	Contactor-Drive (156A/250A Drive Contactor)						1					1				
6 - Main Fuses	3AUA0000045881	Fuses-Main (200A 170M1370 Kit of 3)	1	1	1				1	1	1			1	1	1	1
	3AUA0000045882	Fuses-Main (315A 170M1372 - Kit of 3)				1	1	1				1	1				
7 - Bypass Control (RBCU)	3AUA0000034480	Control-Bypass (E-Clipse Bypass Control Unit)	1	1	1	1	1	1	1	1	1	1	1	1	1	1	1
8 - Current Transformer	3AUA0000064434	Res-Brden/CT Assy (200:5 CT Kit)	1	1					1	1				1	1	1	
	3AUA0000064435	Res-Brden/CT Assy (300:5 CT Kit)			1	1					1	1					1
	3AUA0000064437	Res-Brden/CT Assy (500:5 CT Kit)					1	1					1				
9 - Enclosure Fans	3AUA0000000148	Fan for top of control unit	1	1	1	1	1	1	1	1	1	1	1	1	1	1	1
	3AUA0000036399	Screw, M4.2 x 12, Truss Head, T15	2	2	2	2	2	2	2	2	2	2	2	2	2	2	2
10 - Shaft, Handle	3AUA0000021156	Shaft, B3 T4/T5	1	1	1	1	1	1	1	1	1	1	1	1	1	1	1
Option +B055, Nema 12 Enclosure	3AUA0000000148	Fan for top of bypass skeleton	1	1	1	1	1	1	1	1	1	1	1	1	1	1	1
	3AUA0000003497	Bracket, Mounting IP54 Fan	1	1	1	1	1	1	1	1	1	1	1	1	1	1	1
	3AUA0000012849	Exhaust Fan, NEMA 12 Enclosure	1	1	1	1	1	1	1	1	1	1	1	1	1	1	1
	3AUA0000006731	Screw, fan to cabinet mounting	2	2	2	2	2	2	2	2	2	2	2	2	2	2	2
	3AUA0000003983	Gasket, ACX550 panel holder	1	1	1	1	1	1	1	1	1	1	1	1	1	1	1
	3AUA0000014905	Assembly, Bezel TYPE 12	1	1	1	1	1	1	1	1	1	1	1	1	1	1	1
Option +B058, Nema 3R Enclosure	3AUA0000012849	Enclosure Fan	1	1	1	1	1	1	1	1	1	1	1	1	1	1	1
	3AUA0000047523	Heater, 50W 120V	2	2	2	2	2	2	2	2	2	2	2	2	2	2	2
	3AUA0000003983	Gasket, ACX550 panel holder	1	1	1	1	1	1	1	1	1	1	1	1	1	1	1
	3AUA0000014905	Assembly, Bezel TYPE 12	1	1	1	1	1	1	1	1	1	1	1	1	1	1	1
	3AUA0000048829	Assembly, RHTR	1	1	1	1	1	1	1	1	1	1	1	1	1	1	1

E-Clipse BCR - Enclosure Designation B4

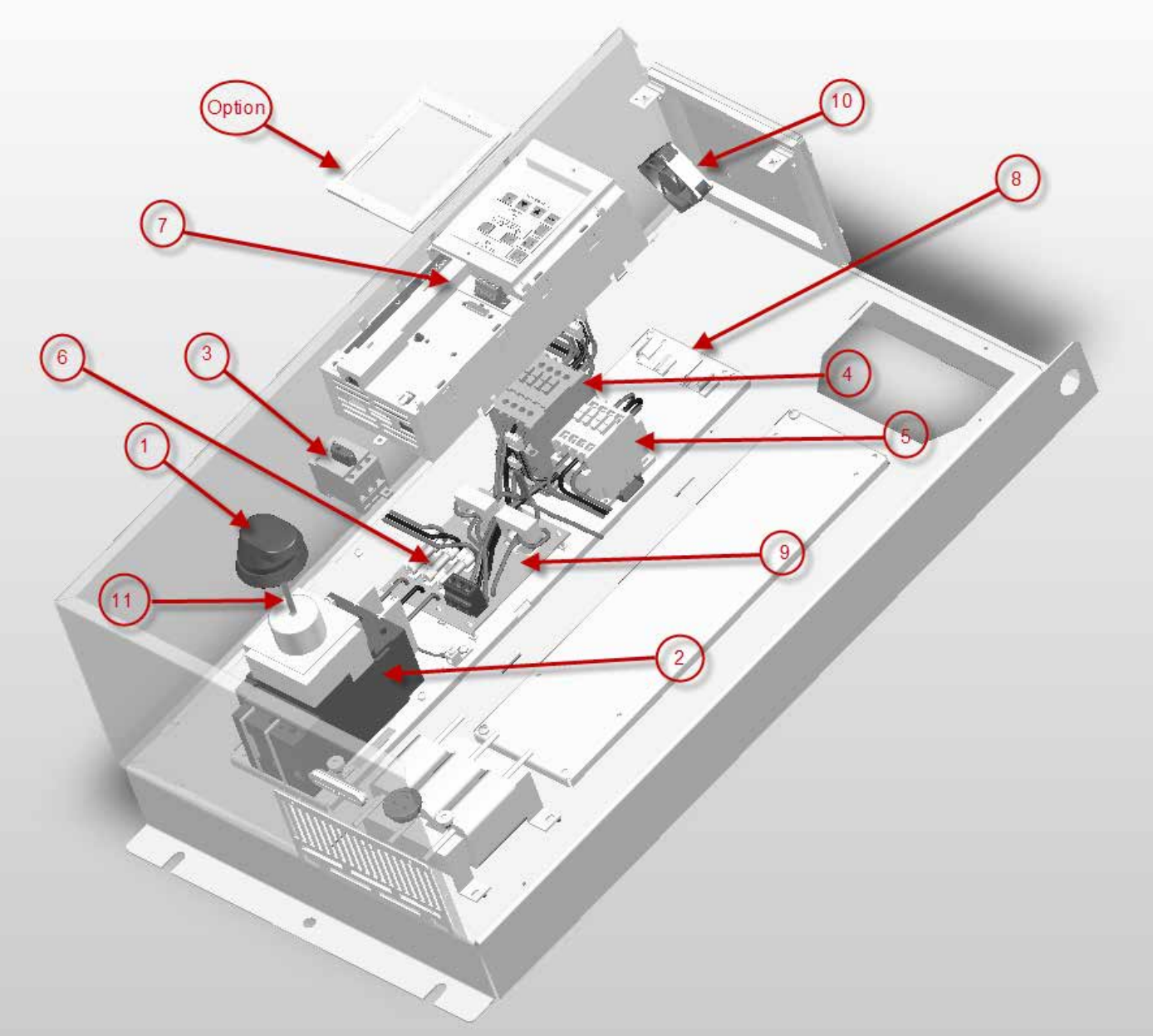


E-Clipse BCR - Enclosure Designation B4

E-Clipse -BCR - Enclosure Designation B4

Item	Part Number	Description	460Vac			
			-BCR-316A-4	-BCR-368A-4	-BCR-414A-4	-BCR-486A-4
1 - Handle	OHB175J10	Handle 175mm UL TYPE 3R, 12	1	1	1	1
2 - Circuit Breaker	3AUA0000045844	Switch-Main (600A CB, Lugs, Op Mech)	1	1	1	1
3 - Service Switch +F267	3AUA0000045854	Switch-Service (600A Molded Case Switch)	1	1	1	1
4 - Contactor, Bypass	3AUA0000045865	Contactor-Byp (460A Bypass contactor)	1	1	1	1
5 - Contactor, Drive	3AUA0000045873	Contactor-Drive (400A Drive Contactor)	1	1	1	1
6 - Main Fuses	3AUA0000045883	Fuses-Main (400A 600V Class T - Kit of 3)	1	1		
	3AUA0000045884	Fuses-Main (600A,600V,Class T - Kit of 3)			1	1
7 - Bypass Control (RBCU)	3AUA0000034480	Control-Bypass (E-Clipse Bypass Control Unit)	1	1	1	1
8 - Current Transformer	3AUA0000064437	Res-Brden/CT Assy (500:5 CT Kit)	1	1	1	1
9 - Enclosure Fan	3AUA0000000148	Fan for top of control unit	1	1	1	1
	3AUA0000036399	Screw, M4.2 x 12, Truss Head, T15	2	2	2	2
10 - Shaft, Handle	OXP10X500	Shaft 19.7" 10 X 500	1	1	1	1
Option +B055, Nema 12 Enclosure	3AUA0000012849	Exhaust Fan, NEMA 12 Enclosure	1	1	1	1
	3AUA0000006731	Screw, fan to cabinet mounting	2	2	2	2
	3AUA0000003983	Gasket, ACX550 panel holder	1	1	1	1
	3AUA0000014905	Assembly, Bezel TYPE 12	1	1	1	1
Option +B058, Nema 3R Enclosure	3AUA0000047523	Heater, 50W 120V	2	2	2	2
	3AUA0000003983	Gasket, ACX550 panel holder	1	1	1	1
	3AUA0000014905	Assembly, Bezel TYPE 12	1	1	1	1
	3AUA0000048829	Assembly, RHTR	1	1	1	1
Control Relay Assembly	3AUA0000045898	Assembly, RRAF	1	1	1	1

E-Cclipse BDR - Enclosure Designation B1

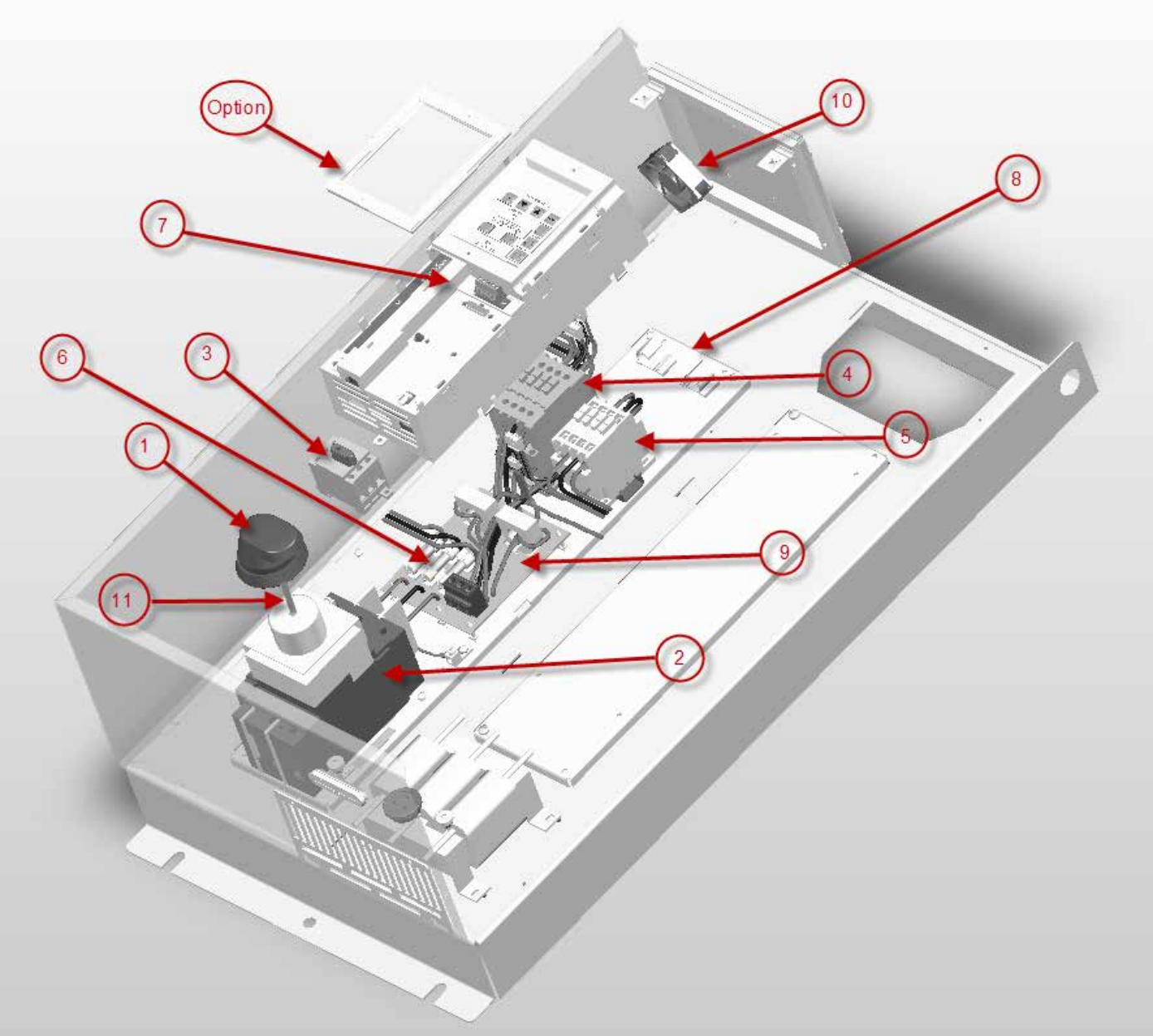


E-Cclipse BDR - Enclosure Designation B1

E-Cclipse -BDR - Enclosure Designation B1

Item	Part Number	Description	230Vac						460Vac						600Vac						
			-BDR-04A6-2	-BDR-06A6-2	-BDR-07A5-2	-BDR-012A-2	-BDR-017A-2	-BDR-024A-2	-BDR-03A3-4	-BDR-04A1-4	-BDR-06A9-4	-BDR-08A8-4	-BDR-012A-4	-BDR-015A-4	-BDR-023A-4	-BDR-02A7-6	-BDR-03A9-6	-BDR-06A1-6	-BDR-09A0-6	-BDR-011A-6	-BDR-017A-6
1 - Handle	OHB65J6	Handle 6X65mm UL TYPE 1, 3R, 12	1	1	1	1	1	1	1	1	1	1	1	1	1	1	1	1	1	1	1
2 - Main Switch	3AUA0000045402	Switch-Main (40A Disconnect Switch)	1	1	1	1	1	1	1	1	1	1	1	1	1	1	1	1	1	1	1
3 - Service Switch +F267	3AUA0000045848	Switch-Service (40A Switch)	1	1	1	1	1	1	1	1	1	1	1	1	1	1	1	1	1	1	1
4 - Contactor, Bypass	3AUA0000045855	Contactor-Byp (11A/25A Bypass contactor)	1	1	1	1			1	1	1	1	1								
	3AUA0000045856	Contactor-Byp (28A/40A Bypass contactor)					1	1						1	1	1	1	1	1	1	1
5 - Contactor, Drive	3AUA0000045866	Contactor-Drive (9A/21A Drive Contactor)	1	1	1	1			1	1	1	1	1								
	3AUA0000045867	Contactor-Drive (11A/25A Drive Contactor)					1	1						1	1	1	1	1	1	1	1
6 - Main Fuses	3AUA0000045877	Fuses-Main (15A, 600V, CLASS CC - Kit of 3)	1	1	1	1			1	1	1	1	1								
	3AUA0000045878	Fuses-Main (30A, 600V, CLASS CC - Kit of 3)					1	1						1	1	1	1	1	1	1	1
7 - Bypass Control (RBCU)	3AUA0000034480	Control-Bypass (E-Cclipse Bypass Control Unit)	1	1	1	1	1	1	1	1	1	1	1	1	1	1	1	1	1	1	1
8 - Contactor Ass'y	3AUA0000045894	ContactorAssy (RCSA-011 Contactor Panel)	1	1	1	1			1	1	1	1	1								
9 - Current Transformer	3AUA0000056483	Res-Brden/CT Assy (25A CT Kit)	1	1	1	1			1	1	1	1	1								
	3AUA0000056484	Res-Brden/CT Assy (25A CT Kit)					1	1						1	1	1	1	1	1	1	1
10 - Enclosure Fan	3AUA0000000148	Fan for top of bypass skeleton (B1 & B2 box)	1	1	1	1	1	1	1	1	1	1	1	1	1	1	1	1	1	1	1
	3AUA0000036399	Screw, M4.2 x 12, Truss Head, T15	2	2	2	2	2	2	2	2	2	2	2	2	2	2	2	2	2	2	2
	3AUA0000003497	Bracket, Mounting IP54 Fan	1	1	1	1	1	1	1	1	1	1	1	1	1	1	1	1	1	1	1
11 - Shaft, Handle	3AUA0000049889	Shaft, 6mm X 205mm	1	1	1	1	1	1	1	1	1	1	1	1	1	1	1	1	1	1	1
Option +B055, Nema 12 Enclosure	3AUA0000000148	Fan for top of bypass skeleton	1	1	1	1	1	1	1	1	1	1	1	1	1	1	1	1	1	1	1
	3AUA0000003497	Bracket, Mounting IP54 Fan	1	1	1	1	1	1	1	1	1	1	1	1	1	1	1	1	1	1	1
	3AUA0000003983	Gasket, ACX550 panel holder	1	1	1	1	1	1	1	1	1	1	1	1	1	1	1	1	1	1	1
Option +B058, Nema 3R Enclosure	3AUA0000014905	Assembly, Bezel TYPE 12	1	1	1	1	1	1	1	1	1	1	1	1	1	1	1	1	1	1	1
	3AUA0000012736	Fan for Cab & Drive skeleton	2	2	2	2	2	2	2	2	2	2	2	2	2	2	2	2	2	2	2
	3AUA0000003497	Bracket, Mounting IP54 Fan	1	1	1	1	1	1	1	1	1	1	1	1	1	1	1	1	1	1	1
	3AUA0000014653	Screw, M4x12, Thread forming, PH, T20, Z	2	2	2	2	2	2	2	2	2	2	2	2	2	2	2	2	2	2	2
	3AUA0000047523	Heater, 50W 120V	1	1	1	1	1	1	1	1	1	1	1	1	1	1	1	1	1	1	1
	3AUA0000003983	Gasket, ACX550 panel holder	1	1	1	1	1	1	1	1	1	1	1	1	1	1	1	1	1	1	1
3AUA0000014905	Assembly, Bezel TYPE 12	1	1	1	1	1	1	1	1	1	1	1	1	1	1	1	1	1	1	1	
3AUA0000048829	Assembly, RHTR	1	1	1	1	1	1	1	1	1	1	1	1	1	1	1	1	1	1	1	

E-Cclipse BDR - Enclosure Designation B2

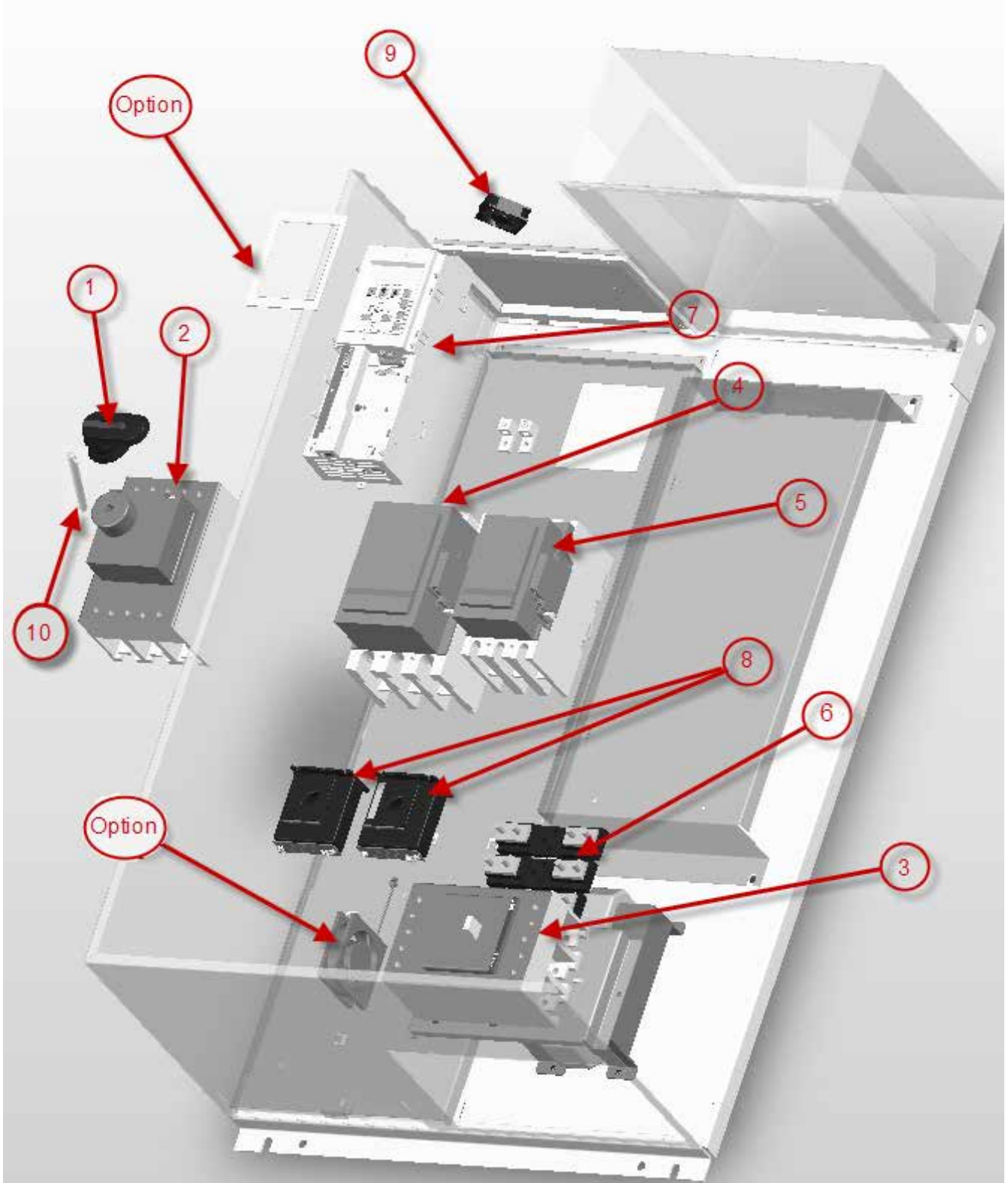


E-Cclipse BDR - Enclosure Designation B2

E-Cclipse -BDR - Enclosure Designation B2

Item	Part Number	Description	230Vac				460Vac				600Vac						
			-BDR-031A-2	-BDR-046A-2	-BDR-059A-2	-BDR-075A-2	-BDR-031A-4	-BDR-038A-4	-BDR-045A-4	-BDR-059A-4	-BDR-072A-4	-BDR-078A-4	-BDR-022A-6	-BDR-027A-6	-BDR-032A-6	-BDR-041A-6	-BDR-052A-6
1 - Handle	OHB65J6	Handle 6X65mm UL TYPE 1, 3R, 12	1	1	1	1	1	1	1	1	1	1	1	1	1	1	1
2 - Main Switch	3AUA0000045402	Switch-Main (40A Disconnect Switch)	1				1					1	1				
	3AUA0000045841	Switch-Main (125A Disconnect Switch)									1						1
	3AUA0000045830	Switch-Main (80A Disconnect Switch)		1	1			1	1	1				1	1		
	3AUA0000045832	Switch-Main (100A Disconnect Switch)				1				1							1
3 - Service Switch +F267	3AUA0000045848	Switch-Service (40A Switch)	1				1					1	1				
	3AUA0000045849	Switch-Service (80A Switch)		1	1			1	1	1				1	1	1	1
	3AUA0000045850	Switch-Service (100A Switch)				1				1	1						
4 - Contactor, Bypass	3AUA0000045857	Contactor-Byp (42A/60A Bypass contactor)	1				1	1	1			1	1				
	3AUA0000045858	Contactor-Byp (80A/105A Bypass contactor)		1	1	1				1	1	1			1	1	1
5 - Contactor, Drive	3AUA0000045868	Contactor-Drive (34A/50A Drive Contactor)	1				1	1	1			1	1				
	3AUA0000045869	Contactor-Drive (54A/80A Drive Contactor)		1	1	1				1	1	1			1	1	1
6 - Main Fuses	3AUA0000045879	Fuses-Main (60A, 600V, CLASS T - Kit of 3)	1				1	1	1			1	1				
	3AUA0000045880	Fuses-Main (100A, 600V, CLASS T - Kit of 3)		1	1	1				1	1	1			1	1	1
7 - Bypass Control (RBCU)	3AUA0000034480	Control-Bypass (E-Cclipse Bypass Control Unit)	1	1	1	1	1	1	1	1	1	1	1	1	1	1	1
8 - Contactor Ass'y	3AUA0000045896	ContactorAssy (RCSA-031 Contactor Panel)	1				1	1	1			1	1				
	3AUA0000045897	ContactorAssy (RCSA-041 Contactor Panel)		1	1	1				1	1	1			1	1	1
9 - Current Transformer	3AUA0000056485	Res-Brden/CT Assy (75A CT Kit)	1	1	1	1	1	1	1	1	1	1	1	1	1	1	1
10 - Enclosure Fan	3AUA0000000148	Fan for top of bypass skeleton (B1 & B2 box)	1	1	1	1	1	1	1	1	1	1	1	1	1	1	1
	3AUA0000036399	Screw, M4.2 x 12, Truss Head, T15	2	2	2	2	2	2	2	2	2	2	2	2	2	2	2
	3AUA0000003497	Bracket, Mounting IP54 Fan	1	1	1	1	1	1	1	1	1	1	1	1	1	1	1
11 - Shaft, Handle	3AUA0000049890	Shaft, 6mm X 214mm	1				1					1	1				
	3AUA0000049891	Shaft, 6mm X 197mm		1	1			1	1	1				1	1		
	3AUA0000049892	Shaft, 6mm X 193mm				1				1							1
	3AUA0000018716	Shaft, 6mm x 242mm									1						1
Option +B055, Nema 12 Enclosure	3AUA0000000148	Fan for top of bypass skeleton	1	1	1	1	1	1	1	1	1	1	1	1	1	1	1
	3AUA0000003497	Bracket, Mounting IP54 Fan	1	1	1	1	1	1	1	1	1	1	1	1	1	1	1
	3AUA0000003983	Gasket, ACX550 panel holder	1	1	1	1	1	1	1	1	1	1	1	1	1	1	1
	3AUA0000014905	Assembly, Bezel TYPE 12	1	1	1	1	1	1	1	1	1	1	1	1	1	1	1
Option +B058, Nema 3R Enclosure	3AUA0000012849	Enclosure Fan	1	1	1	1	1	1	1	1	1	1	1	1	1	1	1
	3AUA0000014653	Screw, M4x12, Thread forming, PH, T20, Z	2	2	2	2	2	2	2	2	2	2	2	2	2	2	2
	3AUA0000047523	Heater, 50W 120V	1	1	1	1	2	2	2	2	2	2	2	2	2	2	2
	3AUA0000003983	Gasket, ACX550 panel holder	1	1	1	1	1	1	1	1	1	1	1	1	1	1	1
	3AUA0000014905	Assembly, Bezel TYPE 12	1	1	1	1	1	1	1	1	1	1	1	1	1	1	1
	3AUA0000048829	Assembly, RHTR	1	1	1	1	1	1	1	1	1	1	1	1	1	1	1

E-Clipse BDR - Enclosure Designation B3

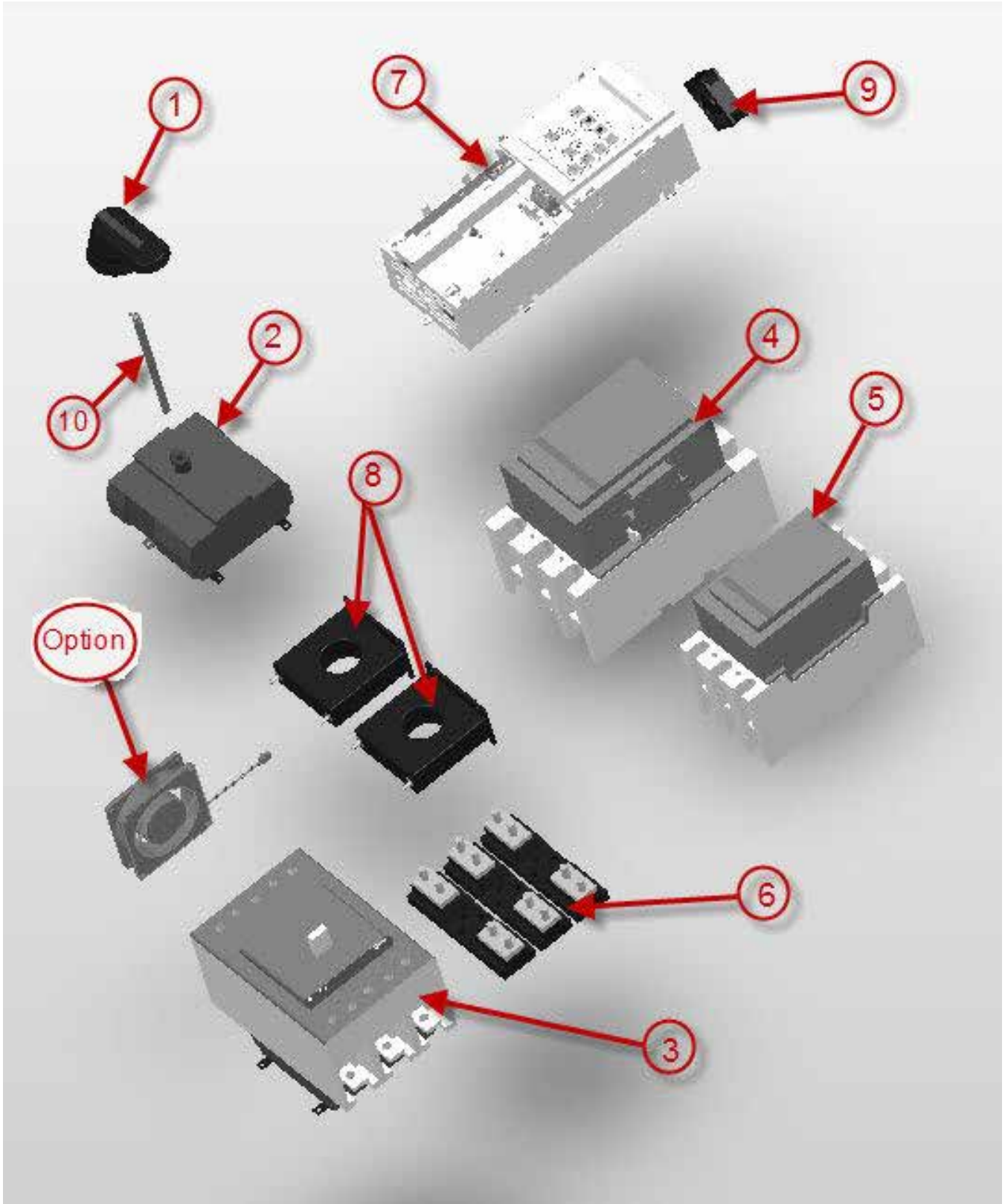


E-Clipse BDR - Enclosure Designation B3

E-Clipse -BDR - Enclosure Designation B3

Item	Part Number	Description	230Vac						460Vac				600Vac				
			-BDR-088A-2	-BDR-114A-2	-BDR-143A-2	-BDR-178A-2	-BDR-221A-2	-BDR-248A-2	-BDR-097A-4	-BDR-125A-4	-BDR-157A-4	-BDR-180A-4	-BDR-246A-4	-BDR-077A-6	-BDR-099A-6	-BDR-125A-6	-BDR-144A-6
1 - Handle	OHB65J6	Handle 6X65mm UL TYPE 1, 3R, 12	1	1	1	1	1	1	1	1	1	1	1	1	1	1	1
	OHB95J10	Handle 95mm UL TYPE 1 3R 12					1	1					1				
2 - Main Switch	3AUA0000045835	Switch-Main (125A Disconnect Switch)	1						1					1	1		
	3AUA0000045836	Switch-Main (200A Disconnect w/ Lugs)		1	1	1				1	1	1				1	1
	3AUA0000045839	Switch-Main (400A Molded Case Switch w/ Lugs)					1	1					1				
3 - Service Switch +F267	3AUA0000045851	Switch-Service (125A Switch)	1	1					1	1				1	1	1	
	3AUA0000045852	Switch-Service (225A Molded Case Switch)			1	1					1	1					1
	3AUA0000045853	Switch-Service (400A Molded Case Switch)					1	1					1				
4 - Contactor, Bypass	3AUA0000045859	Contactor-Byp (95A/125A Bypass contactor)	1											1			
	3AUA0000045861	Contactor-Byp (130A/230A Bypass contactor w/Lugs)		1						1						1	
	3AUA0000045862	Contactor-Byp (156A/250A Bypass contactor w/Lugs)			1						1						1
	3AUA0000045863	Contactor-Byp (192A/300A Bypass contactor w/Lugs)				1						1					
	3AUA0000045864	Contactor-Byp (248A/350A Bypass contactor w/Lugs)					1	1					1				
	3AUA0000045860	Contactor-Byp (110A/140A Bypass contactor)								1						1	
5 - Contactor, Drive	3AUA0000045870	Contactor-Drive (95A/125A Drive Contactor)	1	1					1	1				1	1	1	
	3AUA0000045871	Contactor-Drive (130A/230A Drive Contactor)			1	1	1				1	1					1
	3AUA0000045872	Contactor-Drive (156A/250A Drive Contactor)						1					1				
6 - Main Fuses	3AUA0000045881	Fuses-Main (200A 170M1370 - Kit of 3)	1	1	1				1	1	1			1	1	1	1
	3AUA0000045882	Fuses-Main (315A 170M1372 - Kit of 3)				1	1	1				1	1				
7 - Bypass Control (RBCU)	3AUA0000034480	Control-Bypass (E-Clipse Bypass Control Unit)	1	1	1	1	1	1	1	1	1	1	1	1	1	1	1
8 - Current Transformer	3AUA0000064434	Res-Brden/CT Assy (200:5 CT Kit)	1	1						1	1				1	1	1
	3AUA0000064435	Res-Brden/CT Assy (300:5 CT Kit)			1	1					1	1					1
	3AUA0000064437	ACX550-SP-Encl+SP670/6					1	1					1				
9 - Enclosure Fan	3AUA0000012849	Enclosure Fan	1	1	1	1	1	1	1	1	1	1	1	1	1	1	1
	3AUA0000006731	Screw, fan to cabinet mounting	2	2	2	2	2	2	2	2	2	2	2	2	2	2	2
10 - Shaft, Handle	3AUA0000036027	Shaft, 6mm x 210mm	1	1	1	1				1	1	1	1		1	1	1
	3AUA0000021156	Shaft, B3 T4/T5					1	1					1				
Option +B055, Nema 12 Enclosure	3AUA0000012849	Enclosure Fan	1	1	1	1	1	1	1	1	1	1	1	1	1	1	1
	3AUA0000006731	Screw, fan to cabinet mounting	2	2	2	2	2	2	2	2	2	2	2	2	2	2	2
	3AUA0000003983	Gasket, ACX550 panel holder	1	1	1	1	1	1	1	1	1	1	1	1	1	1	1
	3AUA0000014905	Assembly, Bezel TYPE 12	1	1	1	1	1	1	1	1	1	1	1	1	1	1	1
Option +B058, Nema 3R Enclosure	3AUA0000047523	Heater, 50W 120V	2	2	2	2	2	2	2	2	2	2	2	2	2	2	2
	3AUA0000003983	Gasket, ACX550 panel holder	1	1	1	1	1	1	1	1	1	1	1	1	1	1	1
	3AUA0000014905	Assembly, Bezel TYPE 12	1	1	1	1	1	1	1	1	1	1	1	1	1	1	1
	3AUA0000048829	Assembly, RHTR	1	1	1	1	1	1	1	1	1	1	1	1	1	1	1

E-Clipse BDR - Enclosure Designation B4



E-Eclipse BDR - Enclosure Designation B4

E-Clipse -BDR - Enclosure Designation B4

Item	Part Number	Description	460Vac			
			-BDR-316A-4	-BDR-368A-4	-BDR-414A-4	-BDR-486A-4
1 - Handle	OHB175J10	Handle 175mm UL TYPE 1, 3R, 12	1	1	1	1
2 - Main Switch	3AUA0000045843	Switch-Main (600A Molded Case Switch w/ Lugs)	1	1	1	1
3 - Service Switch +F267	3AUA0000045854	Switch-Service (600A Molded Case Switch)	1	1	1	1
4 - Contactor, Bypass	3AUA0000045865	Contactor-Byp (460A Bypass contactor)	1	1	1	1
5 - Contactor, Drive	3AUA0000045873	Contactor-Drive (400A Drive Contactor)	1	1	1	1
6 - Main Fuses	3AUA0000045883	Fuses-Main (400A 600V Class T - Kit of 3)	1	1		
	3AUA0000045884	Fuses-Main (600A,600V,Class T - Kit of 3)			1	1
7 - Bypass Control (RBCU)	3AUA0000034480	Control-Bypass (E-Clipse Bypass Control Unit)	1	1	1	1
8 - Current Transformer	3AUA0000064437	Res-Brden/CT Assy (500:5 CT Kit)	1		1	1
9 - Enclosure Fan	3AUA0000012849	Enclosure Fan	1	1	1	1
	3AUA0000006731	Screw, fan to cabinet mounting	2	2	2	2
10 - Shaft, Handle	OPX10X225	Shaft 10mm X 225mm	1	1	1	1
Option +B055, Nema 12 Enclosure	3AUA0000012849	Exhaust Fan, NEMA 12 Enclosure	1	1	1	1
	3AUA0000006731	Screw, fan to cabinet mounting	2	2	2	2
	3AUA0000003983	Gasket, ACX550 panel holder	1	1	1	1
	3AUA0000014905	Assembly, Bezel TYPE 12	1	1	1	1
Option +B058, Nema 3R Enclosure	3AUA0000047523	Heater, 50W 120V	2	2	2	2
	3AUA0000003983	Gasket, ACX550 panel holder	1	1	1	1
	3AUA0000014905	Assembly, Bezel TYPE 12	1	1	1	1
	3AUA0000048829	Assembly, RHTR	1	1	1	1
Control Relay Assembly	3AUA0000045898	Assembly, RRAF	1	1	1	1

Contact us

ABB Inc.

Low Voltage Drives

16250 W. Glendale Drive

New Berlin, WI 53151 USA

Phone: (800) 752-0696

Fax: (262) 785-0397

Web: www.abb.us/drives

ACH550-PNSP01U-EN REVA Effective 09/15/2012. Subject to change without notice.