

Coded Non-Contact Safety Sensor - Eden DYNAMIC Machine Safety - Jokab Safety Products

ID 2TLC172009L0201

A non-contact safety sensor with all the advantages of the dynamic signal and more

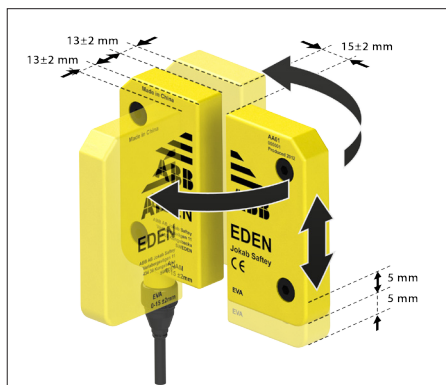
Eden Dynamic is a coded non-contact safety sensor consisting of two parts, Adam and Eva. Eden Dynamic is used on interlocked guards, like gates and hatches, and for safe position sensing. With compact dimensions, a large sensing distance and a very flexible mounting, Eden Dynamic is appreciated in a wide range of applications.

Eden Dynamic makes it very easy to reach a PLe according to EN ISO 13849-1. Light beams, emergency stop buttons, contact rails, safety mats and other safety devices can also be connected in series in the same circuit, with retained safety level.

Adam DYN-Reset has an integrated monitored reset function and a reset light button can easily be connected directly to Adam itself instead of the control module. When several Eden are connected in series, each one can have its own reset button connected to itself, thus saving cable length and PLC inputs.

Eden Dynamic exists as high level coded and low level coded according to EN ISO 14119.

Eden Dynamic M12 connector speeds up installation and exchange. With an IP69K protection class as standard and a wide operating temperature range, Eden Dynamic can be used in extreme environments.



Flexible mounting and sensing distance



Approvals:



Application:

- Door and hatches
- Position control
- Sector detection
- Slot detection

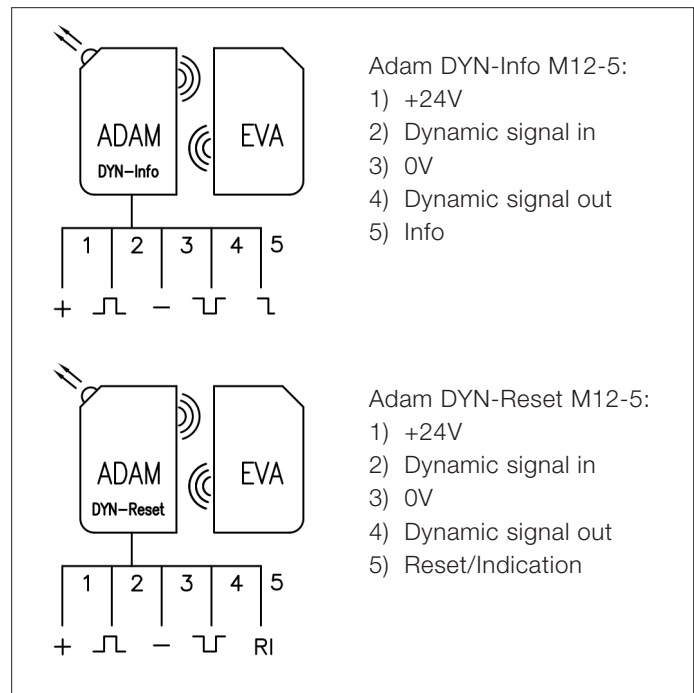
Features:

- PL e/Cat. 4 according to EN ISO 13849-1 together with Vital or Pluto
- Versatile mounting, 360° detection
- Protection class IP69K
- Integrated monitored reset function with reset indication
- Led indication

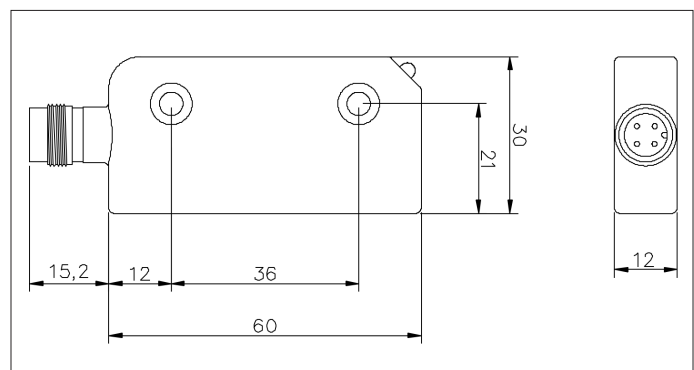
Technical data – Eden DYNAMIC

Article number	
Eva General code	2TLA020046R0800
Eva Unique code	2TLA020046R0900
Adam M12-5 DYN-Info	2TLA020051R5100
Adam M12-5 DYN-Reset	2TLA020051R5300
Level of safety	
IEC/EN 61508-1...7	SIL3 PFH _D 4.5 x 10 ⁻⁹
EN 62061	SIL3
EN ISO 13849-1	PL e/Cat. 4
IEC 60947-5-3	PDF-M
EN 14119	Type 4, high level coded
PFH _D	4.50x10 ⁻⁹
Colour	Yellow and grey text
Weight	Eva: 70 g Adam M12: 80 g
Power supply	24 VDC +15%-50%
Power consumption	30 mA at 24 VDC 35 mA at 18 VDC 45 mA at 12 VDC
Reset indication output	Max 30 mA on stift 5 (Adam DYN-Reset)
Information output	Max 15mA on stift 5 (Adam DYN-Info)
Transponder frequency	4 MHz
Max. switching frequency	1 Hz
EMC	EN 60947-5-3
Humidity range	35 to 85% (without icing nor condensation)
Times	
Switch-on delay power on	2 s
Switch-on delay Eva in range	<100 ms
Switch-off delay Eva missing	< 30 ms
Risk time	< 30 ms
Ambient temperature	-40°C ... +70°C (Storage) -40°C ... +70°C (Operation)
Protection class	IP69K
Detection distance	
Detection distance (Hysteresis 1-2 mm)	0-15 ±2 mm
Assured release distance (Sar)	25 mm
Assured operating distance (Sao)	13 mm
Recommended distance between Adam and Eva	7-10 mm
The proximity of metal can influence the sensing distance. Use distance plates DA1B to avoid it.	

Material	Housing: Polybutylene terephthalate (PBT) Moulding: Epoxy
Connector	M12 5-pole male
Conformity	EN ISO 12100, EN ISO 13849-1, EN 62061, EN 60204-1, EN 60664-1, EN 31000-62, EN 61000-6-4, EN 60947-5-1, EN ISO 14119



Eden DYNAMIC Connections



Dimensions

ABB AB

Jokab Safety

Varlabergsvägen 11

SE-434 39 Kungsbacka

Tel. +46 (0) 21-32 50 00

www.abb.com/jokabsafety

Power and productivity
for a better world™

