

Premolded cable termination, indoors

SOT 7.2 kV

Use

Premolded cable termination for XLPE- and EPR-insulated cables 1- or 3-core with Al or Cu conductor for 6.6/7.2 kV, indoors. It can also be installed in an indoor humid environment*.

Standards

Meets the requirements of:
 – CENELEC, HD 629.1 S1

Design

Premolded cable termination made of silicone rubber with integrated field control.

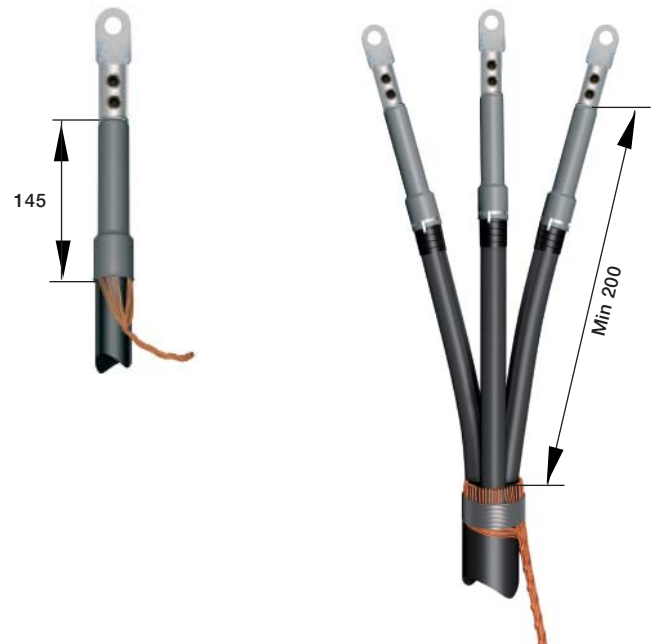
The length of the termination is approximate 145 mm which also makes it suitable for installations in narrow spaces.

The termination is supplied in kits for 3 single-core cables.

Note:

- Cable lugs are to be ordered separately.
- Branch seal TSH for 3-core cable is to be ordered separately.

* For the best watertightness in an indoor humid environment, order branch seal kit TSH. See page 2/48.



Always select products by cable insulation diameter.

Insulation diameter	Conductor cross section	Designation	Weight
			kg/kit
mm	mm ²		
3-core / three 1-core			
10.5–15	10–35	SOT 101-3	0.2
12.9–25.8	50–185	SOT 102-3	0.2
21.4–34.9	185–500	SOT 103-3	0.2

Premolded cable termination, indoors and outdoors, complete SOT SCL 12–36 kV

Use

Premolded cable termination for XLPE- and EPR-insulated 1- or 3-core cable with Al- or Cu- conductor for 12–36 kV. The indoor termination can also be installed in a humid indoor environment*.

Standard

Fulfills requirements of:

- SS 424 14 45 edition 1
- IEEE 48 1996
- CENELEC HD 629.1

Design

Premolded cable termination made of silicone rubber with integrated field control and top sealing. The outdoor type is provided with permanent sheds for extended creepage distance.

The cable termination is supplied in kits for 1- or 3-core cables.

The kits include:

- Bi-metallic shear-off cable lugs SCL-B for Al- and Cu-conductor. The cable lug has bolts which breaks off once the correct torque is reached.
- Branch seal and protective heat-shrink hoses in kits for outdoor, 3-core cables.



SOT 1- and 3-core outdoor.

SOT 1- and 3-core indoor.

* For the best watertightness in an indoor humid environment, order branch seal kit TSH. See page 2/48.

Always select products by cable insulation diameter.

Insulation diameter mm	Conductor cross section			Designation	weight kg/kit	Designation	weight kg/kit
	12 kV	24 kV	36 kV				
	mm ²						
				3-core / 3 x 1-core indoor	1-core indoor		
11–15	10–35	10–16	–	SOT 241 A-3 SCL2	0.90	SOT 241 A SCL2	0.30
15–26	50–150	25–95	–	SOT 241–3 SCL3	1.35	SOT 241 SCL3	0.45
24–39	185–300	120–300	–	SOT 242-3 SCL5	1.80	SOT 242 SCL5	0.60
24–39	400	400	–	SOT 242-3 SCL5B	3.30	–	–
24–39	500	500	–	SOT 242-3 SCL6	3.40	SOT 242 SCL6	1.15
38–54	630	630	–	SOT 242 B-3 SCL6	3.60	SOT 242 B SCL6	1.20
				3-core outdoor including branch seal kit	1-core outdoor		
11–15	10–35	10–16	–	SOT 243 A-3 SCL2	2.20	SOT 243 A SCL2	0.40
15–24	50–150	25–95	–	SOT 243-3 SCL3	2.55	SOT 243 SCL3	0.55
22–33	185–300	120–300	–	SOT 244-3 SCL5	3.05	SOT 244 SCL5	0.70
31–40	400	400	–	SOT 245-3 SCL5B	5.10	SOT 245 SCL5B	1.30
31–40	500–630	500–630	–	SOT 245-3 SCL6	5.20	SOT 245 SCL6	1.40
				3-core indoor/outdoor including branch seal kit			
26–39	–	–	70–300	SOT 361–3 SCL5	3.10	–	–
				3 x 1-core outdoor			
11–15	10–35	10–16	–	SOT 243 A-31 SCL2	1.10	–	–
15–24	50–150	25–95	–	SOT 243-31 SCL3	1.65	–	–
22–33	185–300	120–300	–	SOT 244-31 SCL5	2.15	–	–
31–40	400	400	–	SOT 245-31 SCL5B	4.10	–	–
31–40	500	500	–	SOT 245-31 SCL6	4.20	–	–
38–54	630	630	–	SOT 246-31 SCL6	5	–	–
				3 x 1-core indoor/outdoor	1-core indoor/outdoor		
26–39	–	–	70–300	SOT 361–31 SCL5	2.45	SOT 361 SCL5	0.82
38–54	–	–	400–630	SOT 362–31 SCL6	4.30	SOT 362 SCL6	1.45

Premolded cable termination, indoors and outdoors

SOT 12–36 kV

Use

Premolded cable termination for XLPE- and EPR-insulated cables 1- or 3-core with Al or Cu conductors for 12–36 kV. The indoor termination can also be installed in a humid indoor environment*.

Standard

Meets the requirements of:

- CENELEC, HD 629.1 S1
- IEEE 48 1996

Design

Premolded cable termination made of silicone rubber with integrated field control and top sealing. The outdoor type is provided with permanent sheds for extended creepage distance.

The termination is supplied in kits for 1- or 3-core cables.

- 3-phase kits for outdoor use include branch seal and protective heat-shrink hoses.

* For the best watertightness in an indoor humid environment, order branch seal kit TSH for 3-core cables. See page 2/48.



SOT 1- and 3-core outdoor.

SOT 1- and 3-core indoor.

Note:

- Cable lugs are to be ordered separately.

Always select products by cable insulation diameter.

Insulation diameter mm	Conductor cross section mm ²			Designation	Weight kg/kit	Designation	Weight kg/kit
	12 kV	24 kV	36 kV				
				Indoor termination incl. branch seal for 3-core			
11–15	10–35	10–16	–	SOT 241A-3C	0.9	–	–
15–26	50–95	25–50	–	SOT 241–3C	0.9	–	–
15–26	120–185	70–120	–	SOT 241–3D	1.3	–	–
24–39	185–400	150–400	–	SOT 242-3D	1.4	–	–
				Indoor termination 3-core / 3 x 1-core			
				Indoor termination 1-phase kit			
11–15	10–35	10–16	–	SOT 241 A-3	0.60	SOT 241 A	0.20
15–26	50–185	25–120	–	SOT 241–3	0.60	SOT 241	0.19
24–39	185–500	150–400	–	SOT 242-3	0.70	SOT 242	0.23
38–54	630**	500–630**	–	SOT 242 B-3	0.90	SOT 242 B	0.30
				Outdoor termination incl. branch seal for 3-core			
				Outdoor termination 1-phase kit			
11–15	10–35	10–16	–	SOT 243 A-3	1.90	SOT 243 A	0.31
15–24	50–150	25–70	–	SOT 243-3	1.80	–	–
22–33	150–300	95–240	–	SOT 244-3	2.00	–	–
31–40	400–500	300–400	–	SOT 245-3	2.50	–	–
				Indoor/outdoor termination 3-core			
				Indoor/outdoor termination 1-phase kit			
	–	–		SOT 361–3			
				Outdoor termination 3 x 1-core			
				Outdoor termination 1-phase kit			
15–24	50–150	25–70	–	SOT 243-31	0.80	SOT 243	0.27
22–33	150–300	95–240	–	SOT 244-31	0.90	SOT 244	0.30
31–40	400–500	300–400	–	SOT 245-31	1.11	SOT 245	0.38
38–54	500–630**	500–630*	–	SOT 246-31	1.50	SOT 246	0.51
				Indoor/outdoor termination 3 x 1-core			
				Indoor/outdoor termination 1-phase kit			
26–39	–	–	70–300	SOT 361–31	1.40	SOT 361	0.42
38–54	–	–	400–630*	SOT 362-31	1.60	SOT 362	0.52

* Can be mounted on cables with 800 and 1000 mm² by using silicone rubber tape IA 2342 (1 per kit) as top seal, see page 3/3.

Premolded cable termination for 1-core cable with Cu-tape screen SOT 7.2–36 kV

2

Use

Premolded cable termination for XLPE- and EPR-insulated 1-core cables with Al or Cu conductors and Cu-tape screen for 7.2–36 kV. The indoor termination can also be installed in a humid indoor environment*.

Standard

Meets the requirements of:

- CENELEC HD 629.1 S1
- IEEE 48 1996

Design

Premolded cable termination made of silicone rubber with integrated field control and top sealing. The outdoor type is provided with permanent sheds for extended creepage distance.

The indoor termination can also be installed in a humid indoor environment.

The kits includes copper braids and constant force springs for connection of the Cu-tape screen to earth.

One kit includes material for three single core terminations.



Note:

- Cable lugs are to be ordered separately.

Always select products by cable insulation diameter.

Insulation diameter	Conductor cross section					Designation	Size of copper braid
	Ø	7.2 kV	12 kV	17.5 kV	24 kV		
mm	mm ²						mm ²
Indoor termination for three 1-core cables with Cu-tape screen							
10.5–15	16–50	–	–	–	–	SOT 101-3 R	10
12.9–25.8	70–185	–	–	–	–	SOT 102-3 R	10
21.5–34.9	240–400	–	–	–	–	SOT 103-3 S	22
11–15	–	16–35	–	–	–	SOT 241A-3 R	10
15–26	–	50–120	25–95	–	–	SOT 241-3 R	10
15–26	–	150–185	120–185	35–120	–	SOT 241-3 S	22
24–39	500–630	185–240	–	–	–	SOT 242-3 S	22
24–39	–	300–630	240–500	150–400	–	SOT 242-3 T	22
26–39	–	–	–	–	70–185	SOT 361-3 T	22
26–39	–	–	–	–	240–300	SOT 361-3 U	35
Outdoor termination for three 1-core cables with Cu-tape screen							
11–15	25–50	16–35	–	–	–	SOT 243A-3 R	10
15–24	70–185	50–150	25–120	–	–	SOT 243-3 R	10
15–24	–	–	–	35–70	–	SOT 243-3 S	22
22–33	240–400	185–240	150–185	95–120	–	SOT 244-3 S	22
22–33	–	300–400	240–300	150–240	–	SOT 244-3 T	22
31–40	500–630	500–630	400–500	300–400	–	SOT 245-3 T	22
26–39	–	–	–	–	70–185	SOT 361-3 T	22
26–39	–	–	–	–	240–300	SOT 361-3 U	35

Premolded cable termination for 3-core cable with Cu-tape screen SOT 7.2–36 kV

Use

Premolded cable termination for XLPE- and EPR-insulated cables 3-core with Al or Cu conductors and Cu-tape screen for 7.2–36 kV.

Standard

Meets the requirements of:

- CENELEC HD 629.1 S1
- IEEE 48 1996

Design

Premolded cable termination made of silicone rubber with integrated field control and top sealing.

The outdoor type is provided with permanent sheds for extended creepage distance.

The indoor termination can also be installed in a humid indoor environment.

The kits includes Cu-brands and constant force springs for connection of the Cu-tape screen to earth. The kits also include branch seal and protective hoses of heat-shrink type.



2

Note:

- Cable lugs are to be ordered separately.

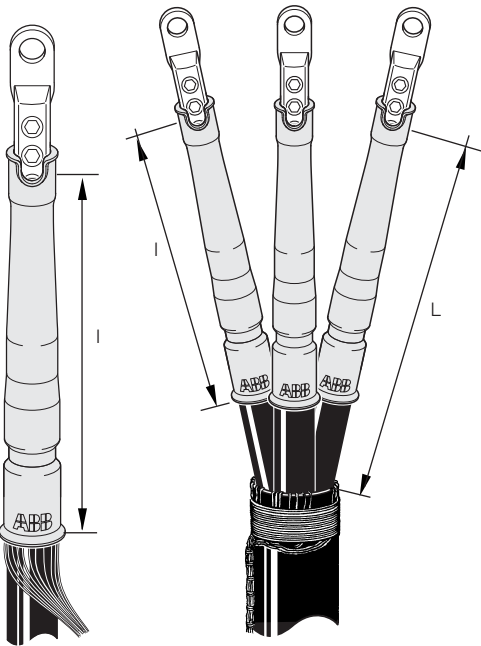
Always select products by cable insulation diameter.

Insulation diameter Ø mm	Conductor cross section mm ²					Designation	Size of Cu-braid
	7.5 kV	12 kV	17.5 kV	24 kV	36 kV		mm ²
Indoor termination for 3-core cables with Cu-tape screen							
10.5–15	16–50	–	–	–	–	SOT 101–3 RC	3 x 10
12.9–25.8	70	–	–	–	–	SOT 102–3 RC	3 x 10
12.9–25.8	95–185	–	–	–	–	SOT 102–3 RD	3 x 22
21.4–34.9	240–400	–	–	–	–	SOT 103–3 SD	3 x 22
11–15	–	16–35	–	–	–	SOT 241A–3 RC	3 x 10
15–26	–	50	25–35	–	–	SOT 241–3 RC	3 x 10
15–26	–	70–120	50–95	–	–	SOT 241–3 RD	3 x 10
15–26	–	150–185	120–150	35–120	–	SOT 241–3 SD	3 x 22
24–39	–	185–240	185	–	–	SOT 242–3 SD	3 x 22
24–39	–	300–400	240–400	150–400	–	SOT 242–3 TD	3 x 22
26–39	–	–	–	–	70–185	SOT 361–3 TB	3 x 22
26–39	–	–	–	–	240–300	SOT 361–3 UB	3 x 35
Outdoor termination for 3-core cables with Cu-tape screen							
11–15	25–50	16–35	–	–	–	SOT 243A–3 RA	3 x 10
15–24	70	50	25–35	–	–	SOT 243–3 RA	3 x 10
15–24	95–185	70–150	50–120	–	–	SOT 243–3 RB	3 x 10
15–24	–	–	–	35–70	–	SOT 243–3 SB	3 x 22
22–33	240–400	185–240	150–185	95–120	–	SOT 244–3 SB	3 x 22
25–33	–	300–400	240–400	150–400	–	SOT 244–3 TB	3 x 22
31–40	–	–	–	300–400	–	SOT 245–3 TB	3 x 22
26–39	–	–	–	–	70–185	SOT 361–3 TB	3 x 22
26–39	–	–	–	–	240–300	SOT 361–3 UB	3 x 35

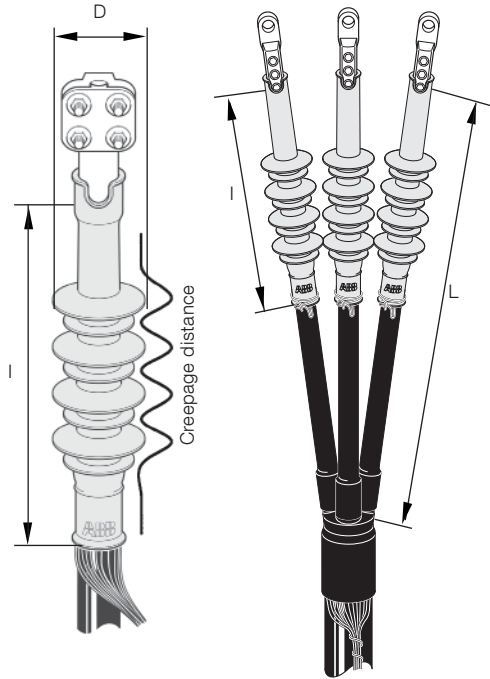
Dimensional drawings and accessories

Premolded cable termination, SOT 12–36 kV

2



SOT indoor



SOT outdoor

Designation	I	L	D	Creepage distance
SOT 241/242/242 B	235	min 300	–	–
SOT 243/244/245	330	min 430	70/75/80	min 520
SOT 246/361/362	390	min 500	80/85	min 725

Accessories, to be ordered separately



SCL-B



UKR



FK



TSH



PSSK

Designation	Description	See page
SCL-B	Cable lug	2/53
UKR	Universal clamp for fastening cable to a pole, etc.	4/3
JSA, JXT	Earthing kits when the cable does not have a Cu-wire screen	2/49
FK	Overhead line clamp	2/52
TSH, SSH	Branch seal kit	2/48
PSSK	Screen separation kit (if needed for indoor)	2/47