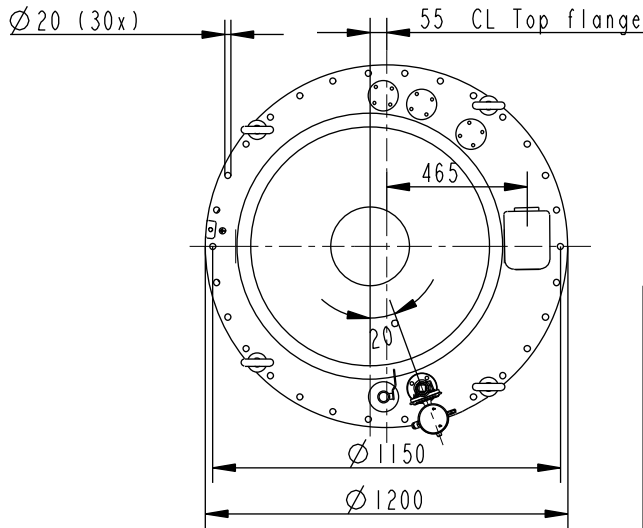
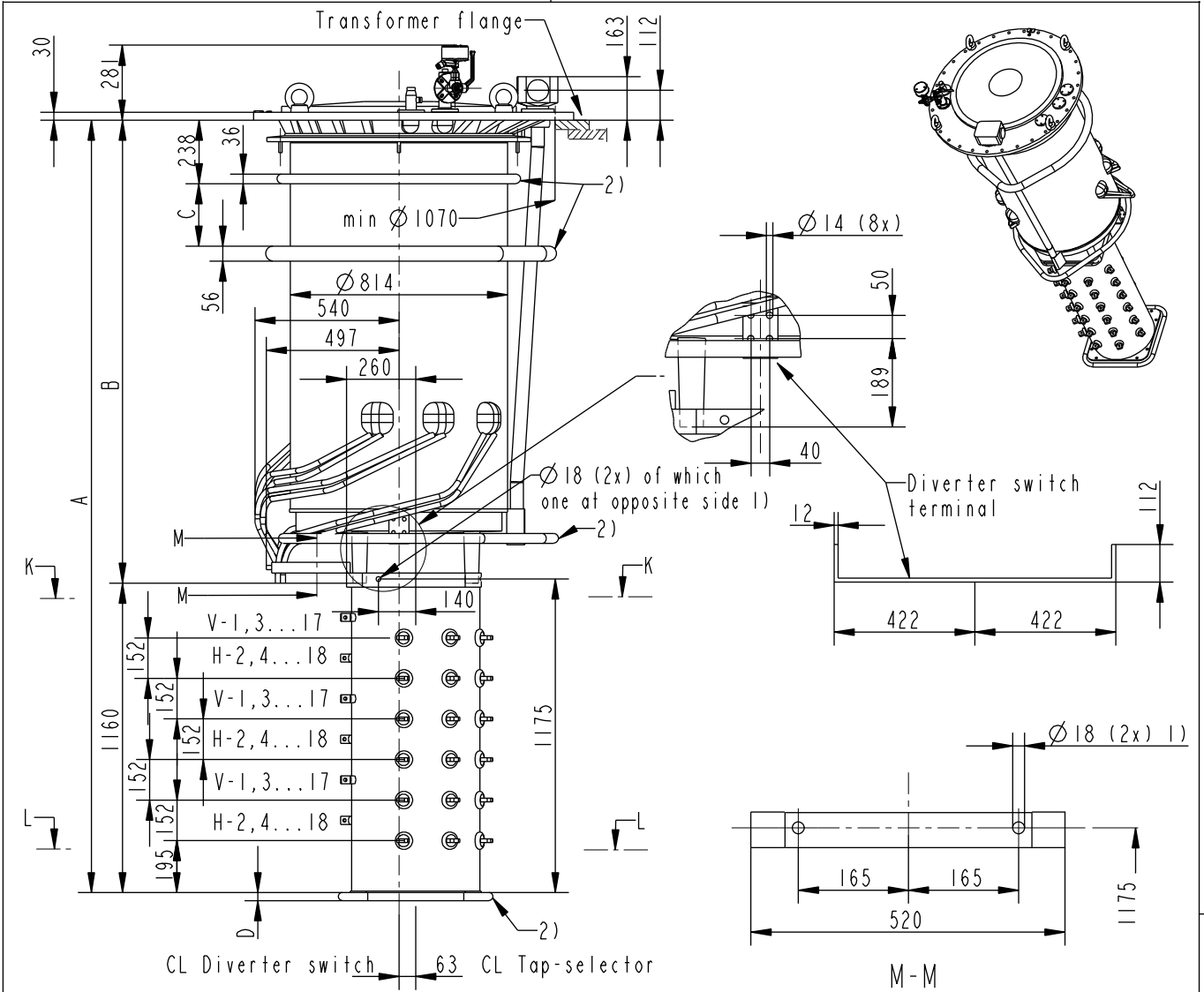


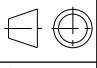

We reserve all rights in this document and in the information contained therein. Reproduction, use or disclosure to third parties without express authority is strictly forbidden. ©ABB



1) Holes for mounting of supports for cleats and leads

2) Shielding rings for insulating levels 650kV and 1050kV only

INSULATION LEVEL kV	380	650	1050
A	2754	2894	3094
B	1594	1734	1934
C	-	240	440
D	-	30	36
E	-	580	586

Based on	Reg. No.	Title TAP-CHANGER UCD UCDLN XXXX/1000/III 5-18 pos Document No. 54920091-1	 Language en Page 1(3)
Prepared T Sapila 96-09-09	Responsible department COM/TK		
Approved M Eriksson	Take over department		
Revision Rev 3 06-10-02	Database DIMENSION_DWGS		
 ABB Components			

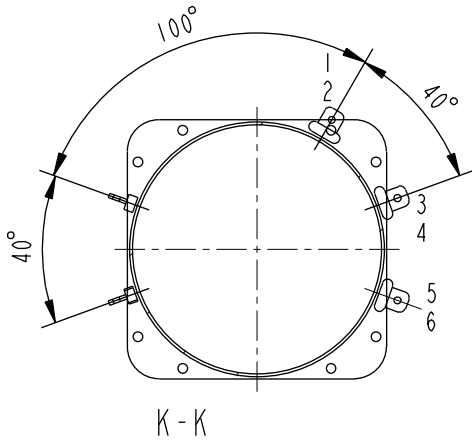
Inspection engineering review

Production engineering review

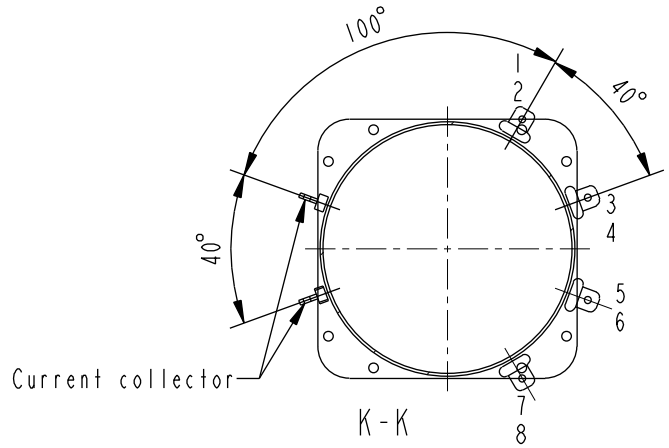
Design engineering review

We reserve all rights in this document and in the information contained therein. Reproduction, use or disclosure to third parties without express authority is strictly forbidden. ©ABB

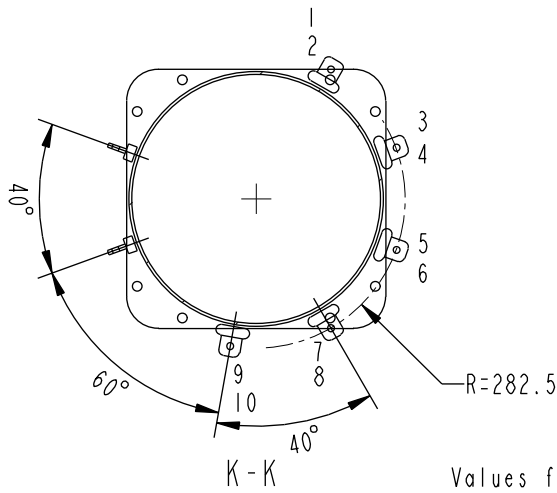
5 AND 6 POSITIONS



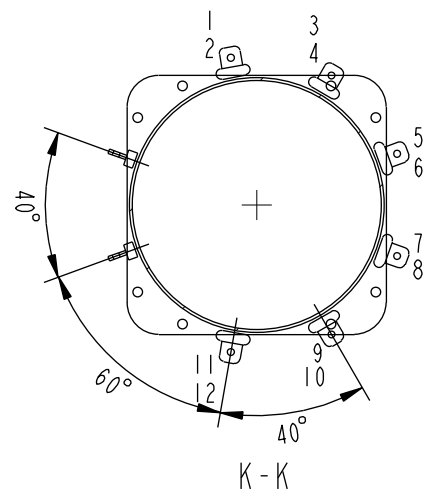
7 AND 8 POSITIONS



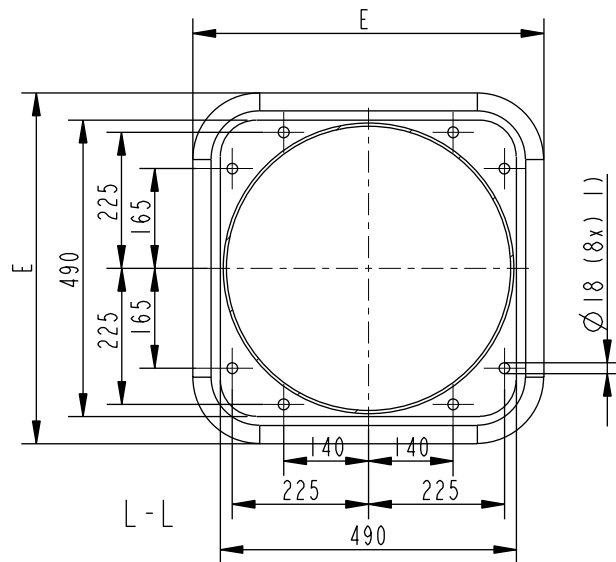
9 AND 10 POSITIONS



11 AND 12 POSITIONS



Values for dim. E in table on page 1

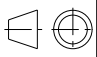



1) Holes for mounting of supports for cleats and leads

Inspection engineering review

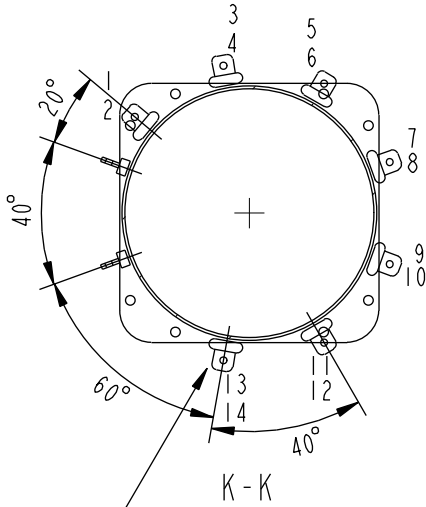
Production engineering review

Design engineering review

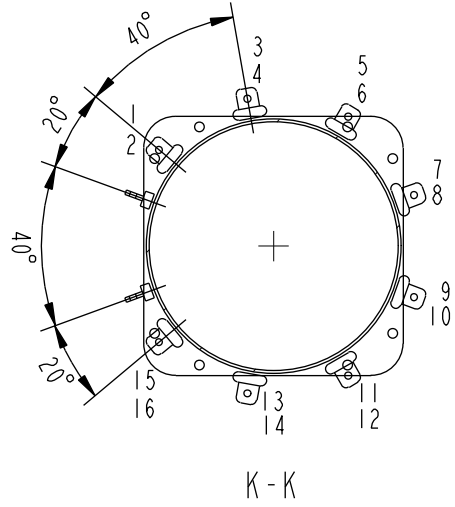
Based on	Reg. No.	Title TAP-CHANGER UCD UCDLN XXXX/1000/III	 Language en Page 2(3)
Prepared T Sapila 96-09-09	Responsible department COM/TK		
Approved M Eriksson	Take over department		
Revision Rev.3 06-10-02	Database DIMENSION_DWGS		
 ABB Components		Document No.	54920091-1

We reserve all rights in this document and in the information contained therein. Reproduction, use or disclosure to third parties without express authority is strictly forbidden.
©ABB

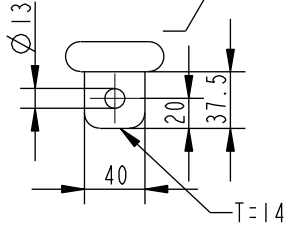
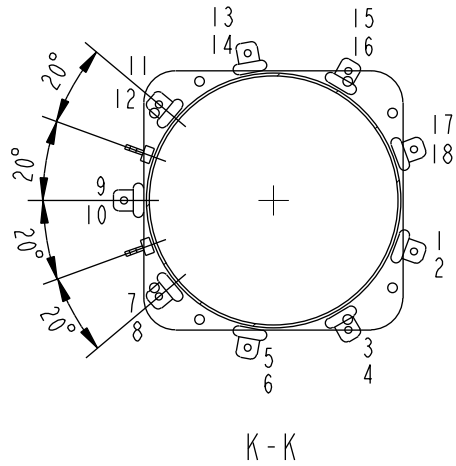
13 AND 14 POSITIONS



15 AND 16 POSITIONS



17 AND 18 POSITIONS



ADDITIONAL DRAWINGS:

Connection Diagrams: See Technical Guide UC
 Mounting on active part: 54920087-1
 Top Section, Accessories: 54920087-2
 Motor Drive BUE: 54830001-2 or -3
 External Drive Shaft: 54920083-4
 Pressure Relay: 54920083-2
 Bevel Gear: 54920083-1

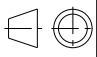
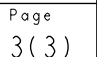
Based on	Reg. No.	Title TAP-CHANGER UCD UCDLN XXXX/1000/III	 Language en	
Prepared T Sapila 96-09-09	Responsible department COM/TK			 Page 3(3)
Approved M Eriksson	Take over department			
Revision Rev.3 06-10-02	Database DIMENSION_DWGS			Document No. 54920091-1



ABB Components

Inspection engineering review

Production engineering review

Design engineering review