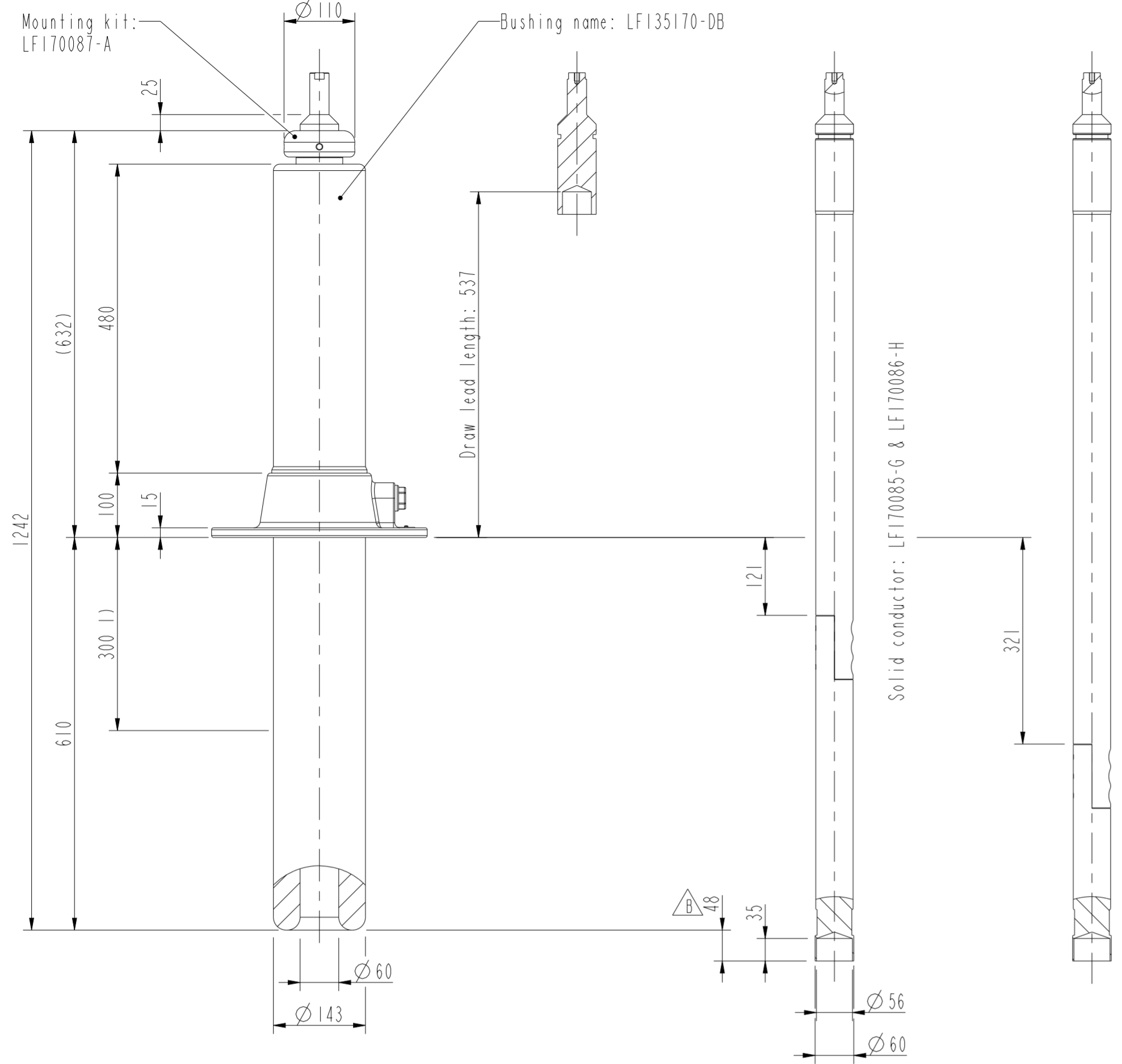
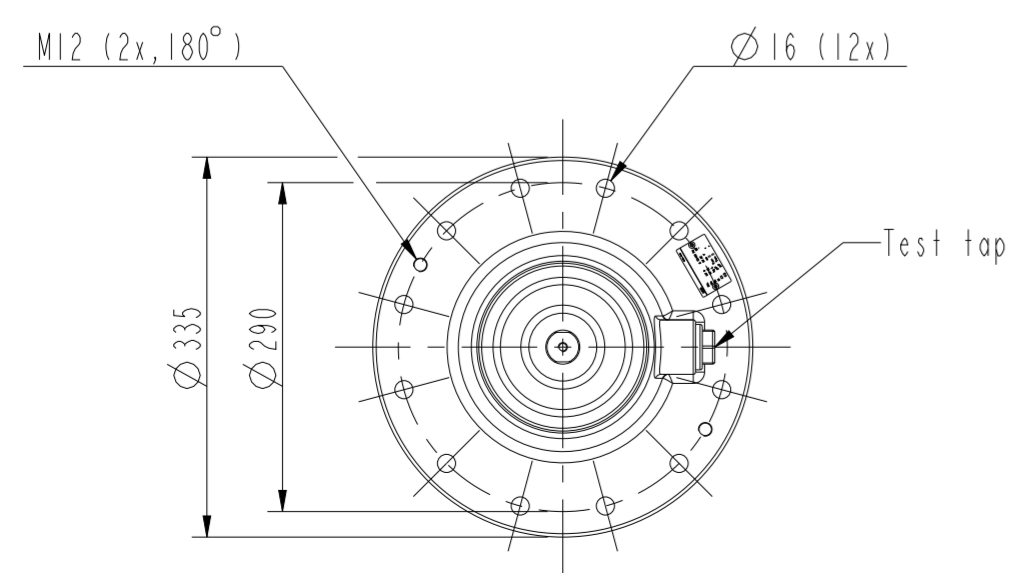


This document is issued by means of a computerized system. The information and technical data are approved. The approved document has a date entered in the approved field. A manual signature is not required.

The information contained in this document has to kept strictly confidential. Any unauthorized use, reproduction, distribution or disclosure is prohibited. All rights regarding intellectual property rights. © Copyright 2013 ABB. All rights reserved.



1) Maximum space for CT.

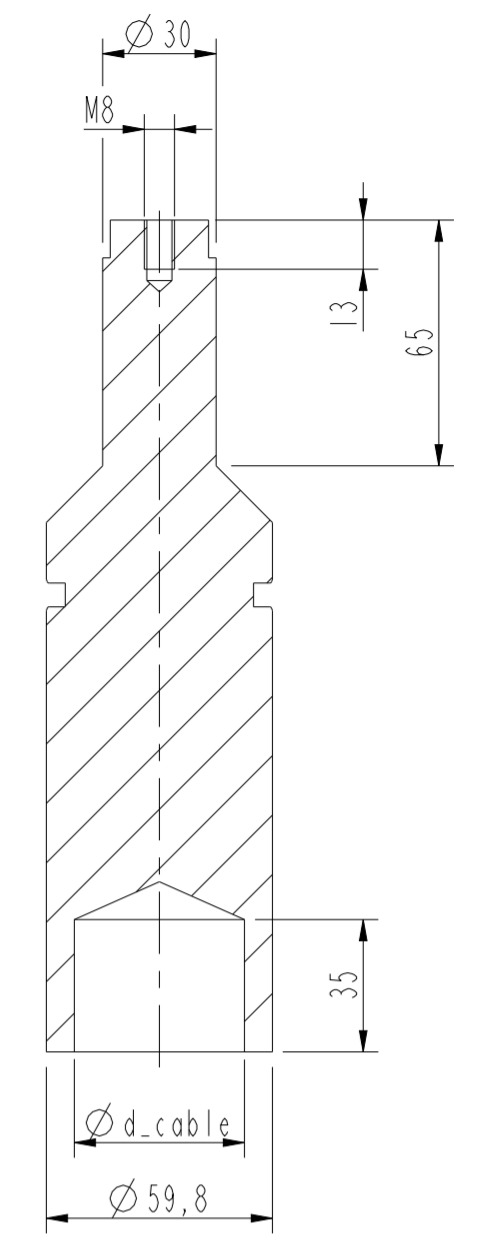


Conductor, upper (Cu)	
Catalog No.	MASS
LF170085-G	20
LF170085-H	24

Conductor, lower (Cu)	
Catalog No.	MASS
LF170086-G	6
LF170086-H	10

Mass: 3.5 kg

Terminal (Cu)	
Catalog No.	d_cable
LF170084-A	5
LF170084-B	11
LF170084-C	13
LF170084-D	15
LF170084-E	18
LF170084-F	30
LF170084-G	42
LF170084-H	45
LF170084-I	50
LF170084-J	54
LF170084-K	5



ELECTRICAL DATA acc. to IEC 60137			
Ratings	Rated voltage	170	kV
	Max. phase to earth voltage	98	kV
	Max. phase to earth voltage, temporary	170	kV
	Max. current with Cu-conductor	2000	A
	Max. current with stranded cable 1200 mm ²	1600	A
	Dry lightning impulse	750	kV
Routine test	Chopped lightning impulse	865	kV
	Dry power frequency	365	kV
Capacitance	Nominal capacitance	302	pF

GENERAL DATA acc. to IEC 60137			
Mass	Mass bushing	22	kg
Cantilever load	Cantilever test load, according to IEC 60137	4000	N
	Max. cantilever operating load, bushing	2000	N
Ambient air temperature according to IEC 60137		-40 to +40	°C
Mounting and service instructions		2750515-138	

ELECTRICAL DATA acc. to ANSI C57.19.00			
Ratings	Insulation class	161	kV
	Rated max. line to ground voltage	102	kV
	Max. current with Cu-conductor	2000	A
	Max. current with stranded cable 1200 mm ²	1600	A

Dim. requirements acc. to C57.19.1 not fulfilled

Prepared	Responsible department	Title	
Leif Roosgårdh	PGCO/BK	Dimension drawing GSA 170-00 2000/0.3	
Modified by	Take over department		
Leif Roosgårdh		Måttskiss GSA 170-00 2000/0.3	Language 82
Approved by	Used in product		Sheet no. 1
Henrik Löfås	2019-06-22		Order
Revision		Document no.	No. Skts. (1)
B	Dimension changed.	2751365-DB	

ABB		Ludvika, Sweden	
GSA 170-00/2000/0.3	LF135170-DB		
No.			
Um 170 kV	Ir 2000 A	50/60 Hz	
BIL 750 kV	SIL -	kV AC 365 kV	
M 22 kg	L 610 mm	∠ 0-90°	
C1	pF Tan δ	x	
C2	pF Tan δ	x	

