

18

17

16

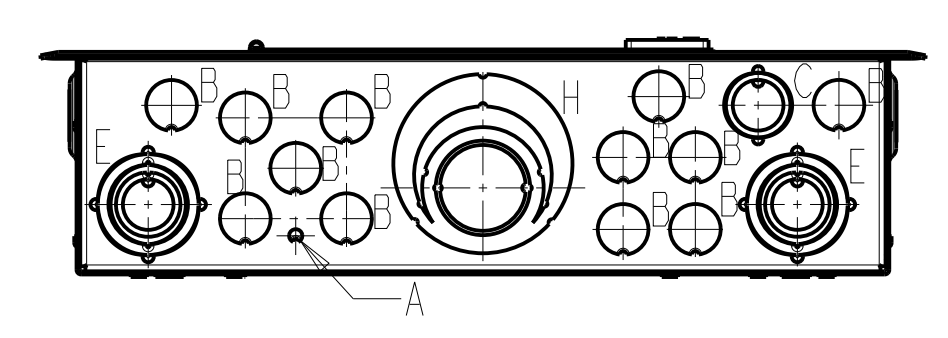
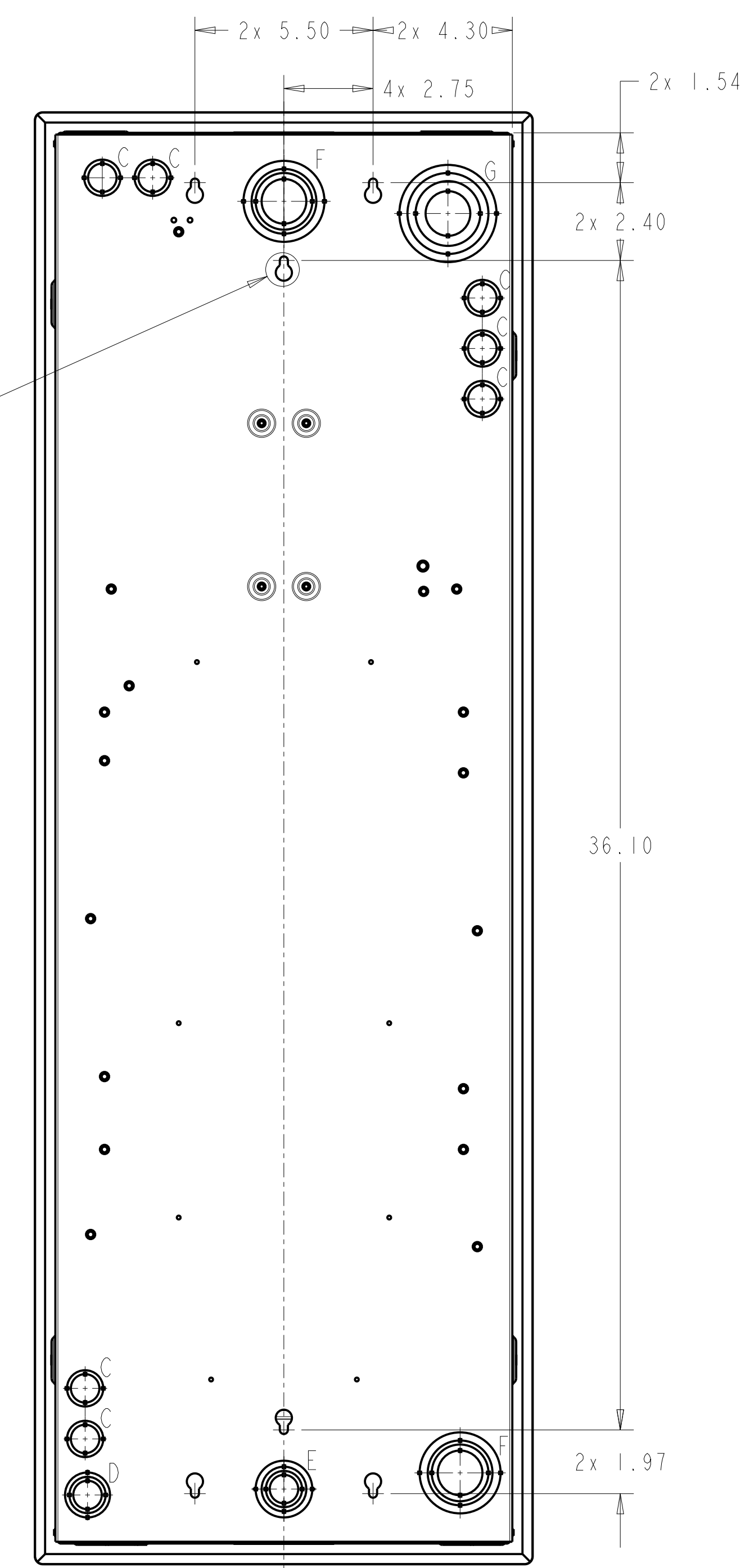
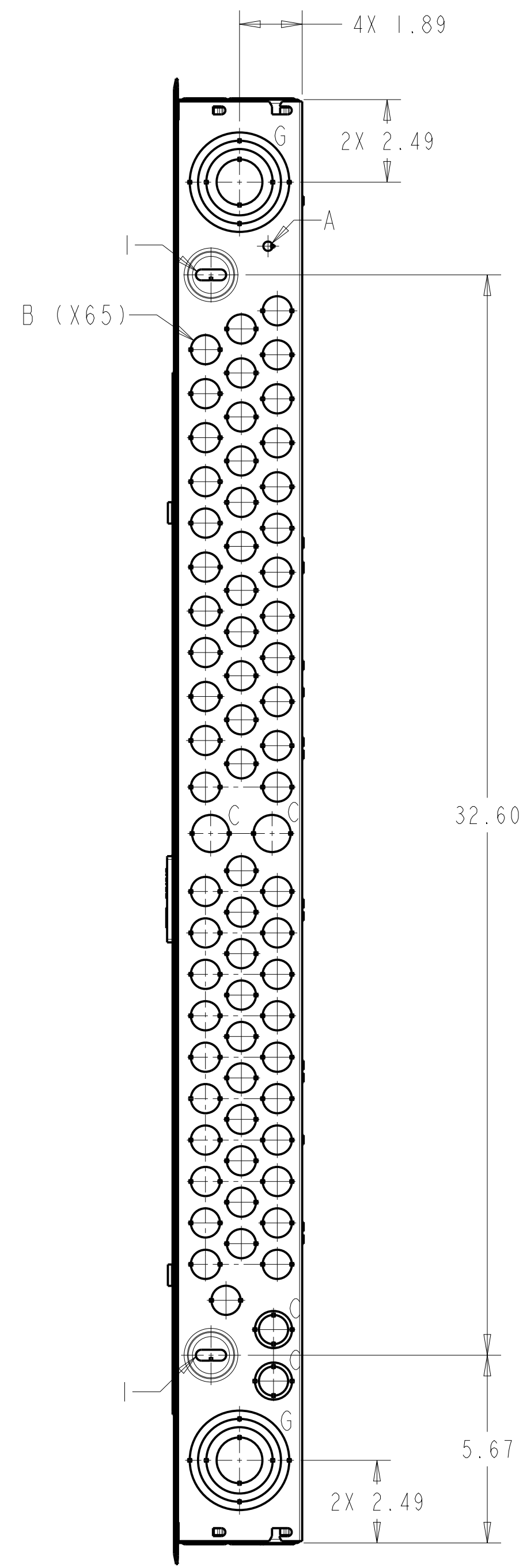
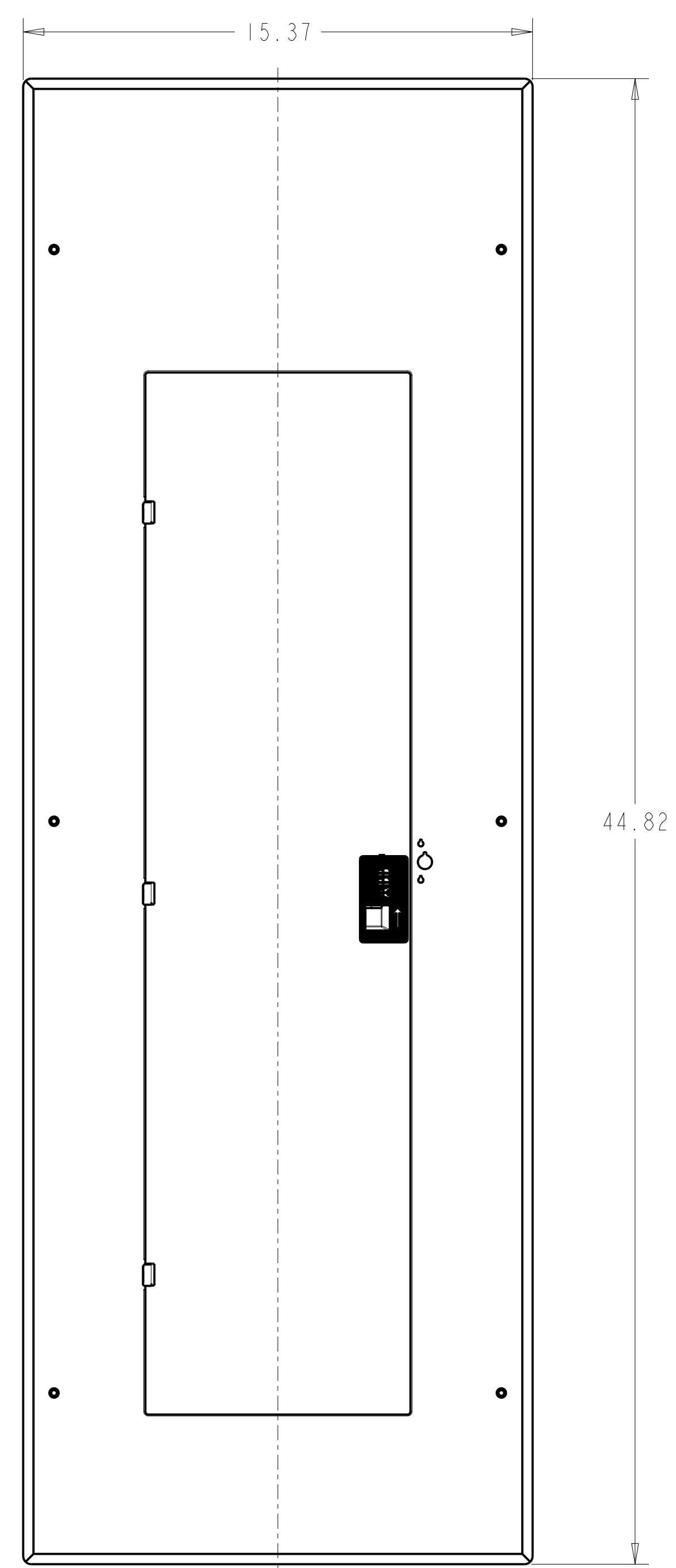
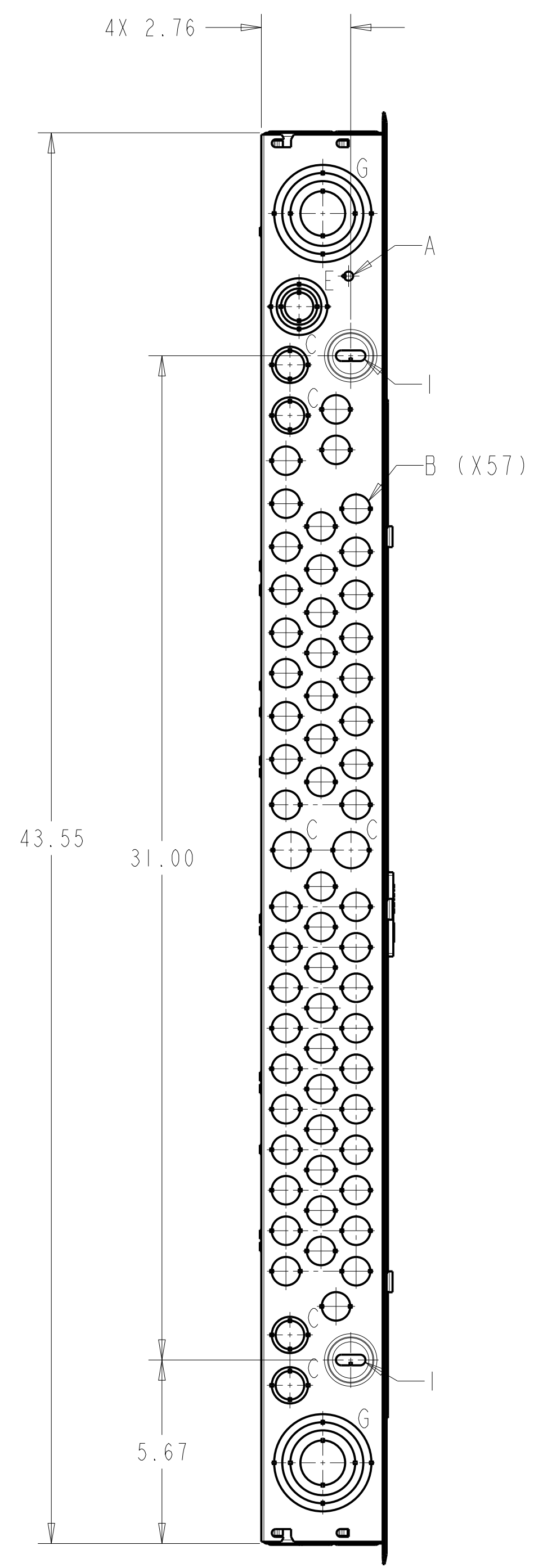
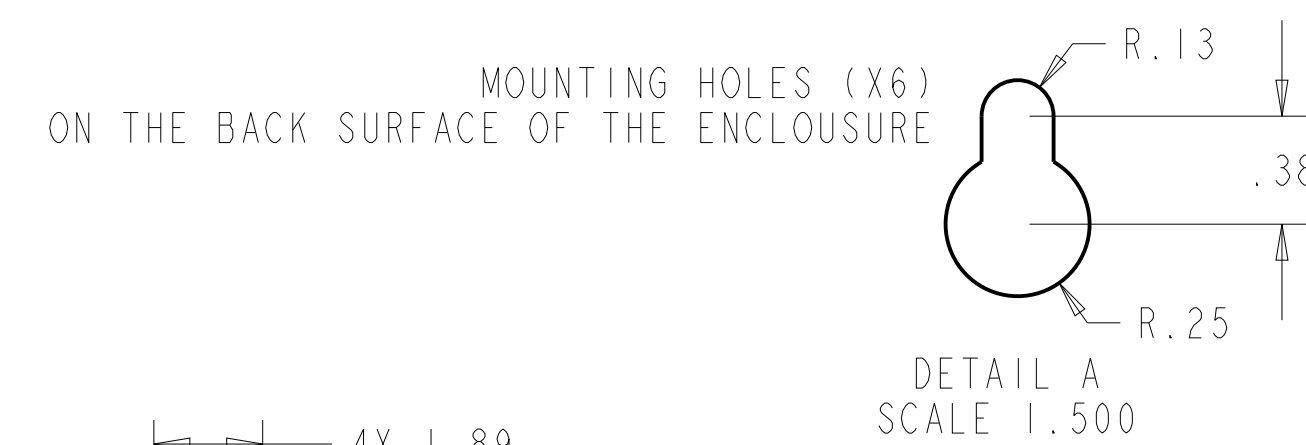
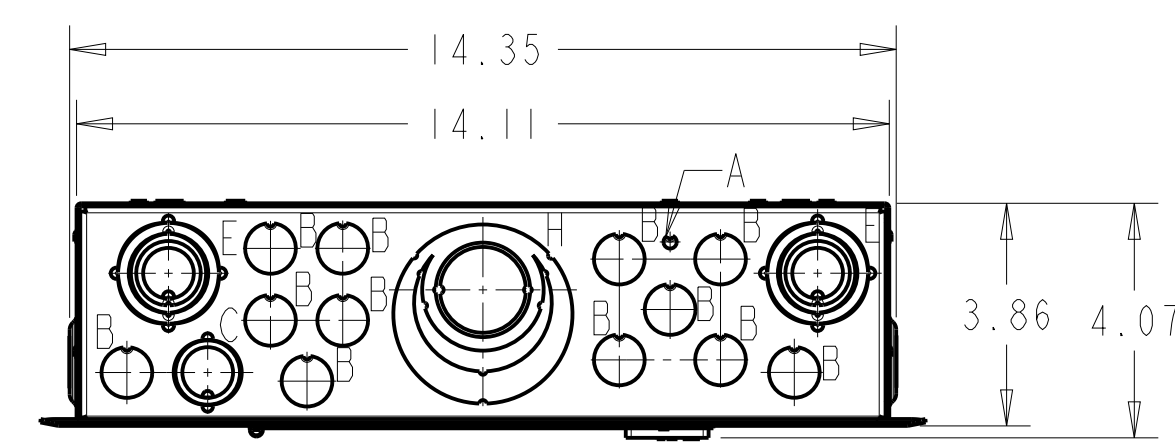
15

14

13

12

11



SYMBOL	SIZE	QTY.
A	9/32 KO	4
B	1/2 KO	146
C	1/2 X 3/4 KO	19
D	1/2 X 3/4 X 1 KO	1
E	1/2 X 3/4 X 1 X 1/4 KO	6
F	1 X 1 1/4 X 1 1/2 X 2 KO	2
G	1 X 1 1/2 X 2 X 2 1/2 KO	5
H	1 X 1 1/4 X 1 1/2 X 2 X 2 1/2 KO	2
I	.219 X .08 OBLONG KO	4

CAT. NO.	MODEL
TMC42420C	2

ALL DIMENSIONS HAVE +/- .125 TOLERANCE



CNDA LC MBRK 3PH 4W 200A  
14" INDOOR ASM ENCLOSURE CSA (43.44)

THIRD ANGLE	SHEET#	DWG NO.	DATE	REV
	1 of 1	10103091SH294	May-04-22	1

18

17

16

15

14

13

12

11