

Shut-off valves Tube fittings for flow-measuring devices

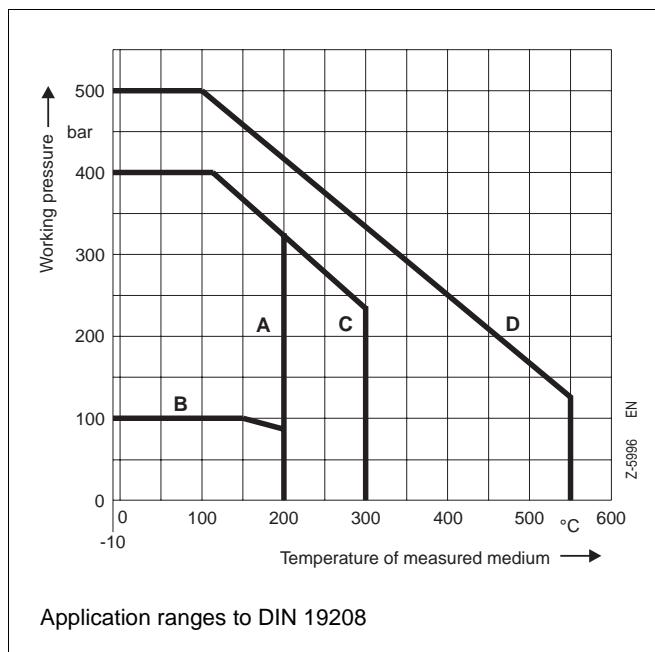
For shutting off the differential pressure line at the measuring point, tube fittings are supplied for the flow-measuring devices, which are attached to the differential pressure bleeder connections.

Two shut-off valves are required for each measuring point.

Technical data

Selection criteria are the below-listed application ranges, the materials, the measured media and the connectors of the shut-off valves.

All shut-off valves are available with an acceptance test certificate to DIN 50049-3.1 B.



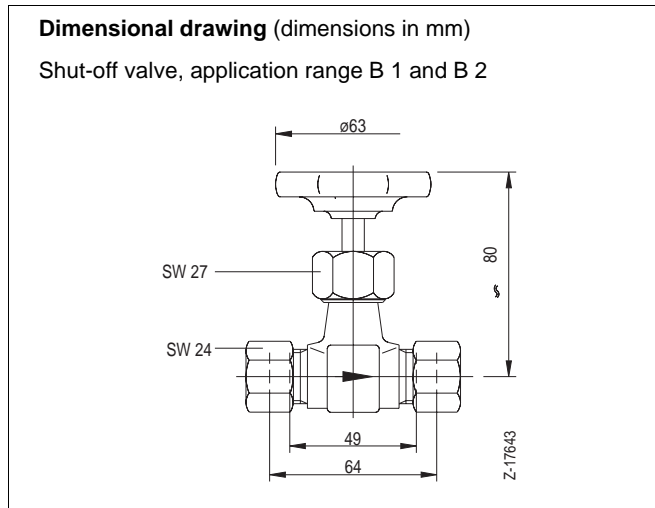
Application range	A	A/B	C	D
Material	Mat. No.	Mat. No.	Mat. No.	Mat. No.
Housing	1.0460	1.4571	1.0460	1.7335
Head	–	–	1.0501	1.7709
Spindle	1.4104	1.4571	1.4104	1.4021
Plug	1.4122 V	1.4571	1.4122 V	1.412 V
Seat	–	–	1.4021	1.4021
Packing	PTFE	PTFE	Asbestos/graphite	Asbestos/graphite
Gland	–	–	St	1.0501
Compression nut	St	1.4571	St	–
Compressions fitting	–	–	–	2.0550
Seat	St	1.4571	St	–

Shut-off valve DN 8

Seat and plug
 non-replaceable

Application range
 A / B

Connectors
 Compression fitting with ferrule
 to DIN 2353 on both sides,
 series S for 12 mm pipe



Technical data

Shut-off valve DN 8

Seat and plug
replaceable

Application range
C

Connections (Fig. 1)
to flow-measuring
device

welded connection for
24 × 7.1 mm pipe

to differential
pressure gauge
compressions fitting with ferrule
to DIN 2353,
series S for 12 mm pipe

Connections (Fig. 2)
to flow-measuring
device

welded connection for
24 × 7.1 mm pipe

to differential
pressure gauge
welded connection for
14 × 2.5 mm pipe

Shut-off valve DN 8

Seat and plug
replaceable

Application range
D

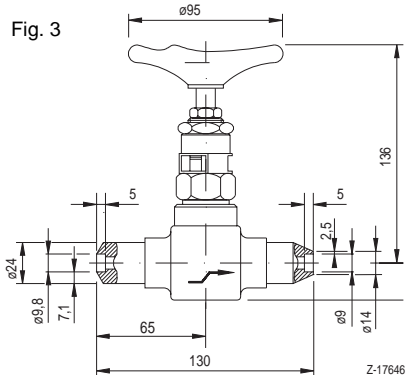
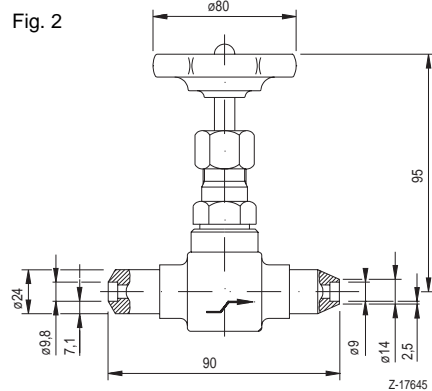
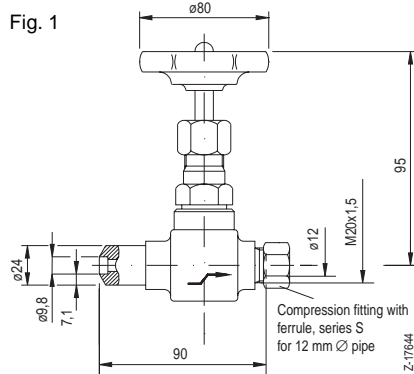
Connections (Fig. 3)
to flow-measuring
device

welded connection for
24 × 7.1 mm pipe

to differential
pressure gauge
welded connection for
14 × 2.5 mm pipe

Dimensional drawing (dimensions in mm)

Seat and plug replaceable



**Shut-off valves
Tube fittings for flow-measuring devices**

10/14-5.22 EN

Ordering information								
Application range	DN	to flow measuring device ¹⁾	to transmitter ¹⁾	Material housing	Weight appr. kg	Catalog No.		
A ⁵⁾	8	R 12 mm	R 12 mm	1.0460	0.5	14910-0839907 ³⁾		
A ⁵⁾	8	R 12 mm	R 12 mm	1,4571	0.5	14910-0839908 ³⁾		
B ⁵⁾	8	R 12 mm	R 12 mm	1.4571 ²⁾	0.5	14910-0839909 ³⁾		
C ⁶⁾	8	S 24 x 7.1 mm	R 12 mm	1.0460	1.3	14910-0839939 ³⁾		
C ⁶⁾	8	S 24 x 7.1 mm	S 14 x 2.5 mm	1.0460	1.4	14910-0839940 ³⁾		
D ⁴⁾⁶⁾	8	S 24 x 7.1 mm	S 14 x 2.5 mm	1.7335	1.6	14910-2822009 ³⁾		

¹⁾ Connections: R = compression fitting with ferrule DIN 2353, series S for 12 mm pipe
S = welded connection for ... pipe

²⁾ Non-greased for oxygen measurement

³⁾ Ex-stock version

⁴⁾ With an acceptance test certificate to EN 10204-3.1 A available, as tandem shut-off valve available

⁵⁾ Shut-off seat and plug non-replaceable

⁶⁾ Shut-off seat and plug replaceable

Additional ordering information			
			Catalog No.
Acceptance test certificate to EN 10204-3.1 B			14999-07957512
Spare parts			
	for Catalog No		Catalog No.
Valve seat for	14910-0890769	... 770	14905-0270560
		... 771	14905-0270562
Valve plug for	14910-0890769	... 770	14905-0270563
		... 771	14905-0270565
Gland packing for	14910-0890769	... 770	14905-0651749
	14910-0890771		14905-0651752

Contact us

ABB Ltd.

Process Automation

Oldends Lane, Stonehouse
Gloucestershire, GL10 3TA
UK

Phone: +44 (0)1453 826661

Fax: +44 (0)1453 829671

ABB Inc.

Process Automation

125 E. County Line Road
Warminster PA 18974
USA

Phone: +1 215 674 6000

Fax: +1 215 674 7183

ABB Automation Products GmbH

Process Automation

Dransfelder Str. 2
37079 Goettingen
Germany

Phone: +49 551 905-534

Fax: +49 551 905-555

www.abb.com

Note

We reserve the right to make technical changes or modify the contents of this document without prior notice. With regard to purchase orders, the agreed particulars shall prevail. ABB does not accept any responsibility whatsoever for potential errors or possible lack of information in this document.

We reserve all rights in this document and in the subject matter and illustrations contained therein. Any reproduction, disclosure to third parties or utilization of its contents – in whole or in parts – is forbidden without prior written consent of ABB.

Copyright© 2011 ABB

All rights reserved

3KXF511002R1001

10/14-5-22-EN.01.2011