

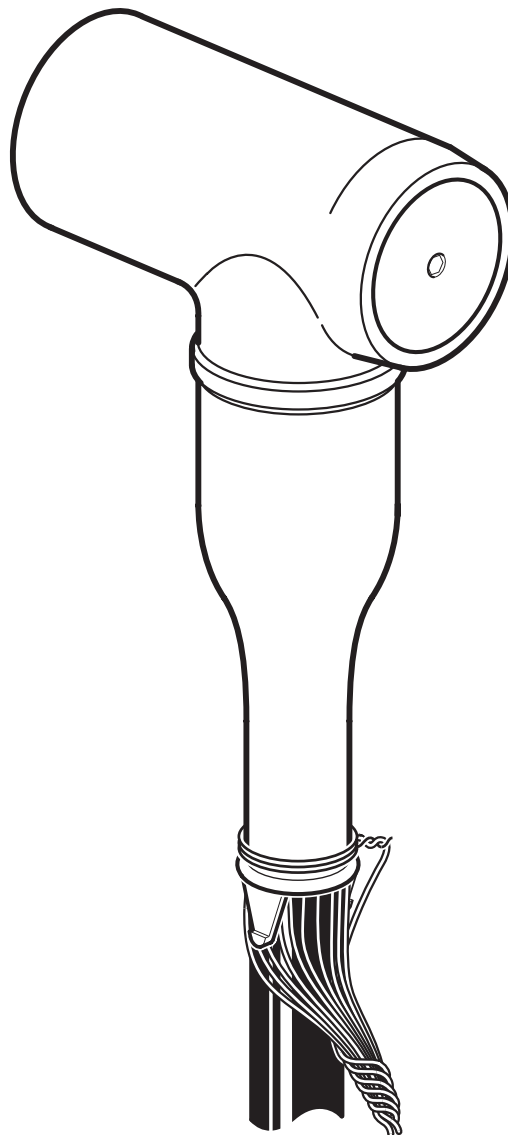
SOC 630

SlipOver skärmad anslutning
SlipOver screened connection

ABB

ABB Kabeldon

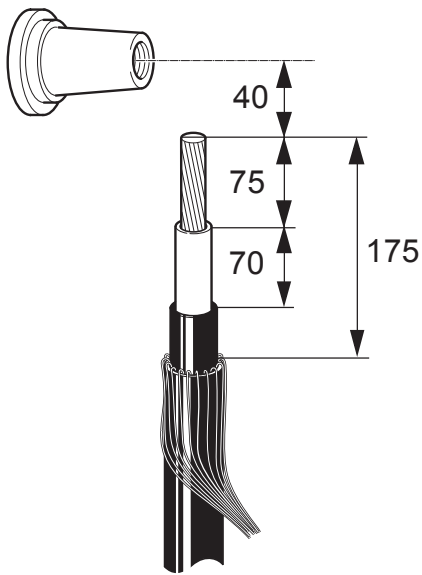
4290.4099-07



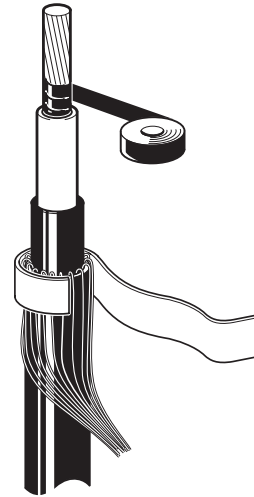
1776

September 2002

1

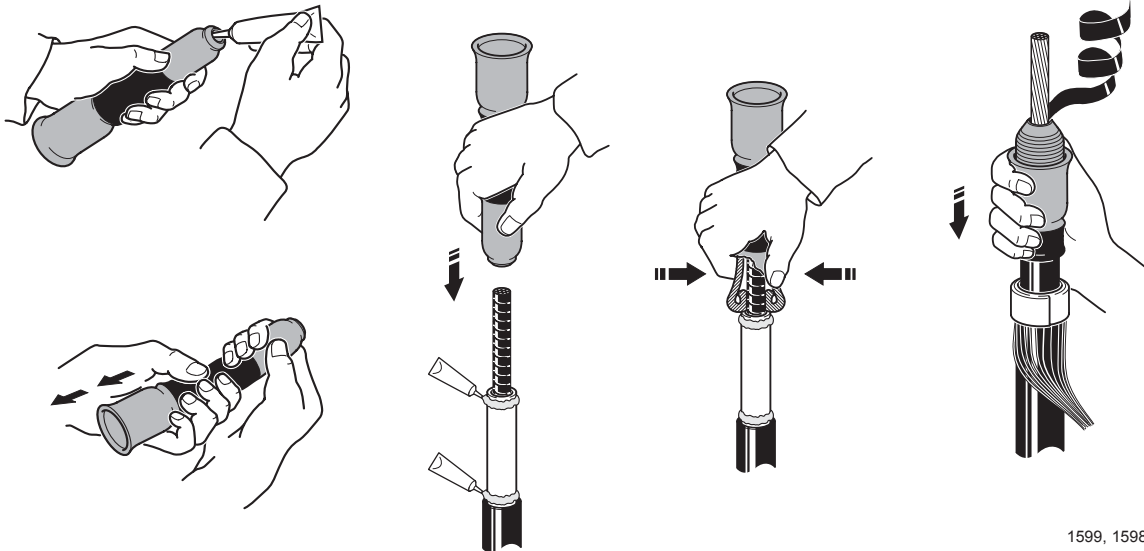


2



1596, 1597

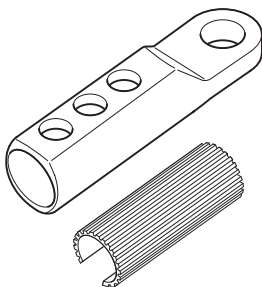
3



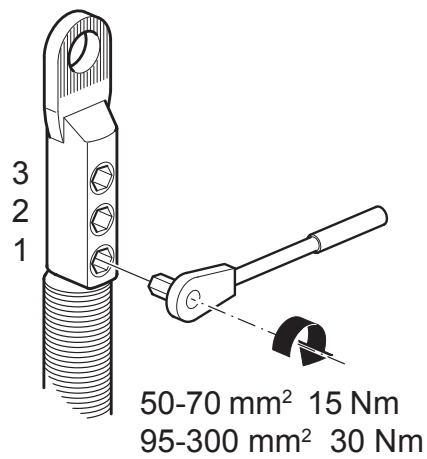
1599, 1598

4

For cables > 185 mm²

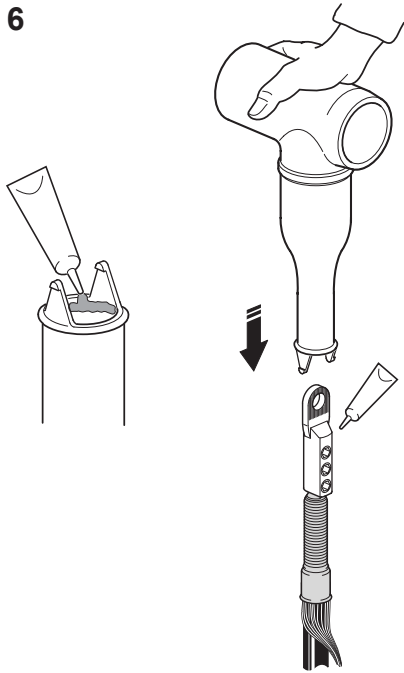


5

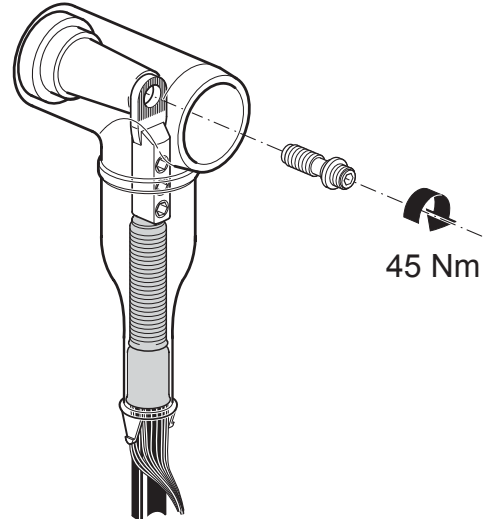
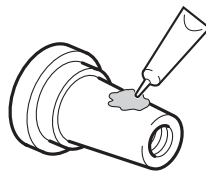


2989, 1600

6



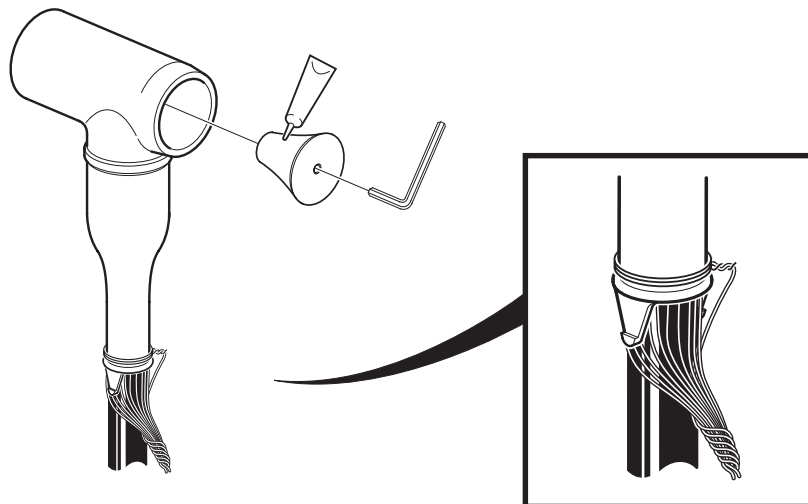
7



45 Nm

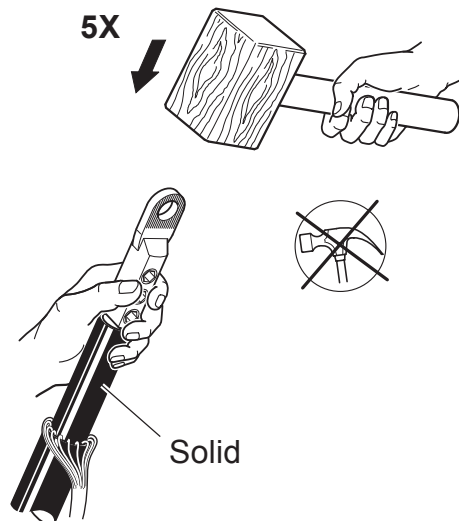
1601, 1602

8



1603, 1642

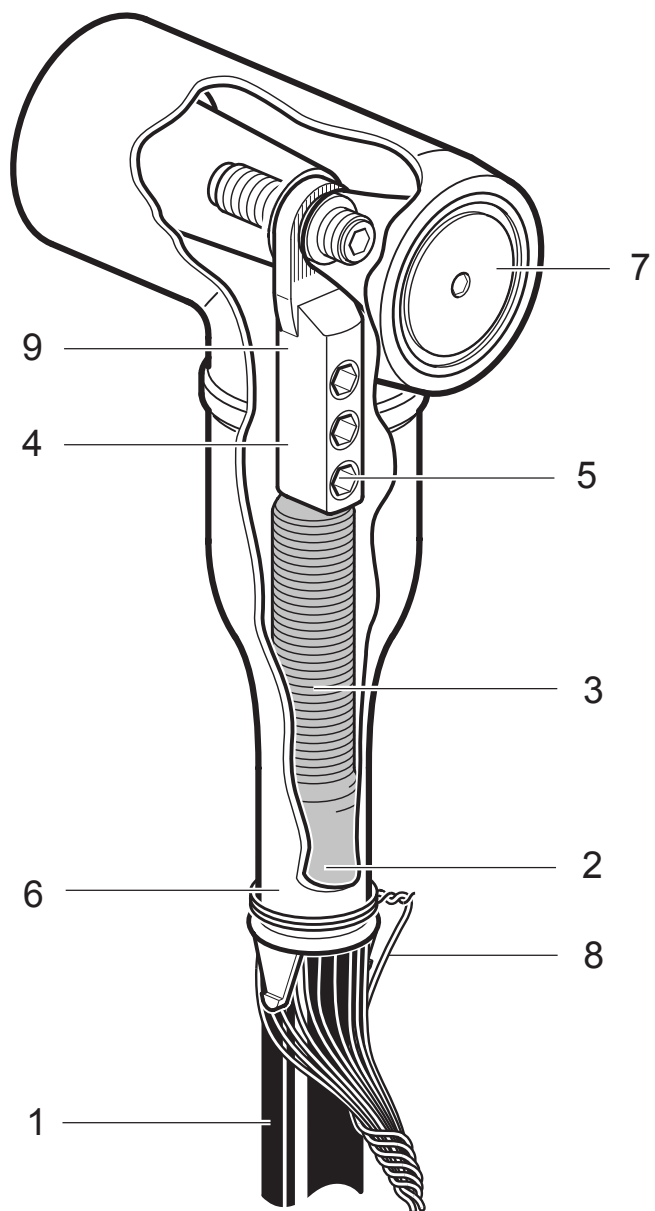
9



5X

Solid

1777



Slipover Screened Separable Connector 250-630 A for 12-24 kV

- Cold-applied
- No special tools
- Prefabricated for safe and fast installation
- Minimal cable stripping
- Active pressure
- Complete kits
- Few sizes
- Long storage life

Use:

Screened separable connector for XLPE-insulated 1- or 3-core cable with Al or Cu conductors for 12-24 kV. The connectors are supplied in kits for 3-core.

The Slipover connector fits standard bushings in accordance with EN 50 181 type outer cone.

Standards:

Meets the requirements of:

- SS 244 14 45 Edition 1
- HD 628.1 S1
- HD 629.1 S1

(See page 8)

Design:

Slipover screened separable connector for XLPE-insulated cables. SOC is made from EPDM rubber. The connector body is made from three layers of rubber: inner conductive layer, insulating layer and outer conductive layer. The connector meets the requirements for being touch-proof. Can be installed indoors as well as outdoors.

Supplied complete with screw cable lug.



SOC 250

Angled connector for 250 A.

SOC 250 ST

Straight connector for 250 A.

SOC 630 TP

Angled connector with capacitive test point for 630 A.

SOC 400

Angled connector for 400 A.

SOC 630

3-core angled connector for 630 A.

Designation	XLPE/EPR diameter mm	Conductor cross section mm ²	Rating A	Bushing type	Weight kg/item
Angled connectors 1- and 3-core					
SOC 250	12.9-25.8	25-95	250	Plug-in	2.2
SOC 400-1	15.0-26.8	50-120*	400	Plug-in	5.6
SOC 400-2	21.4-34.9	150-300	400	Plug-in	6.0
SOC 630-1	15.0-26.8	50-120	630	Screw M16	5.1
SOC 630-2	21.4-34.9	150-300	630	Screw M16	5.5
Straight connector 250 A					
SOC 250 ST	12.9-25.8	25-95	250	Plug-in	2.2
Angled connector with capacitive test point					
SOC 400-1 TP	15.0-26.8	50-120*	400	Plug-in	5.6
SOC 400-2 TP	21.4-34.9	150-300	400	Plug-in	6.0
SOC 630-1 TP	15.0-26.8	50-120*	630	Screw M16	5.1
SOC 630-2 TP	21.4-34.9	150-300	630	Screw M16	5.5

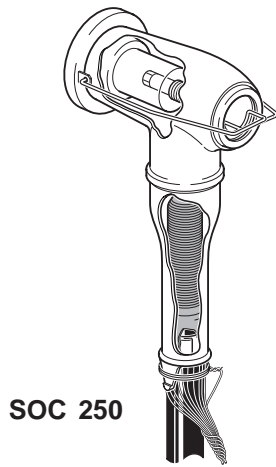
To be ordered separately

Designation	Description	See page
AK 250	Insert for SOC 250 allows installation on smaller cables	33
PSSU 1, PSSU 2, PSSU 3	Screen separation kit for 3-core cable	43

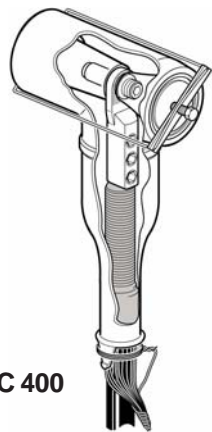
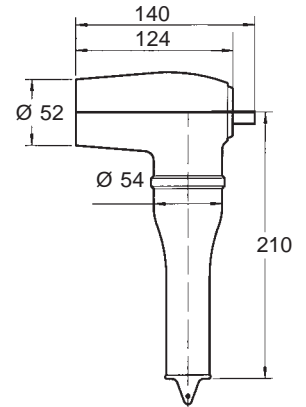
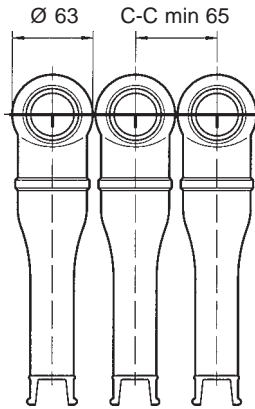
* For 35 mm² contact ABB Kabeldon.

Dimensional Drawings, SOC

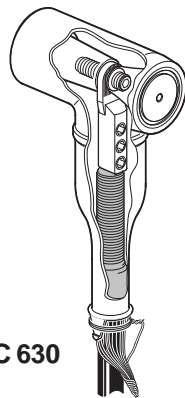
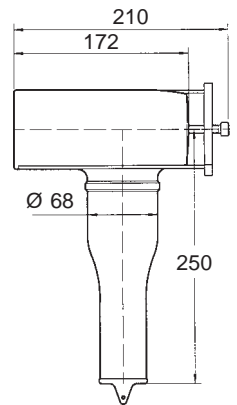
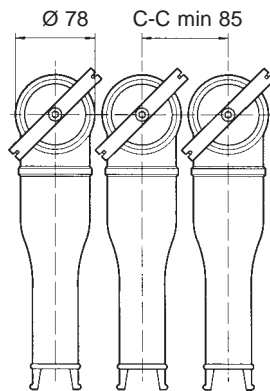
All dimensions in mm



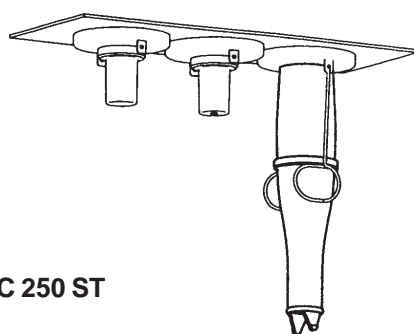
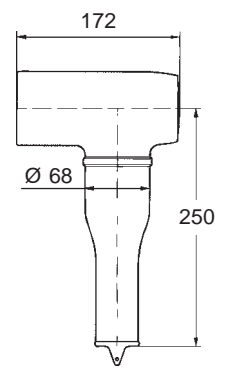
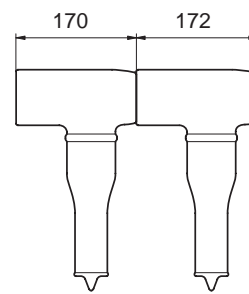
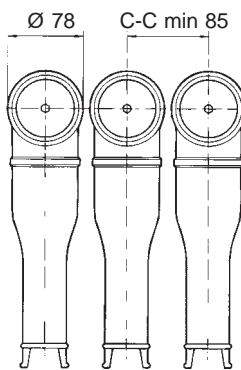
SOC 250



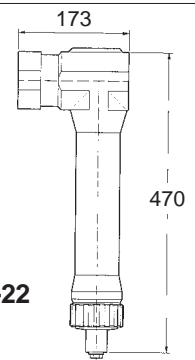
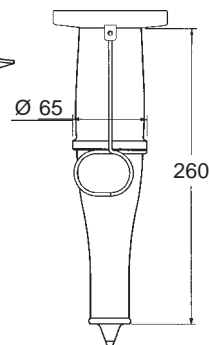
SOC 400



SOC 630



SOC 250 ST



MUW 12-22