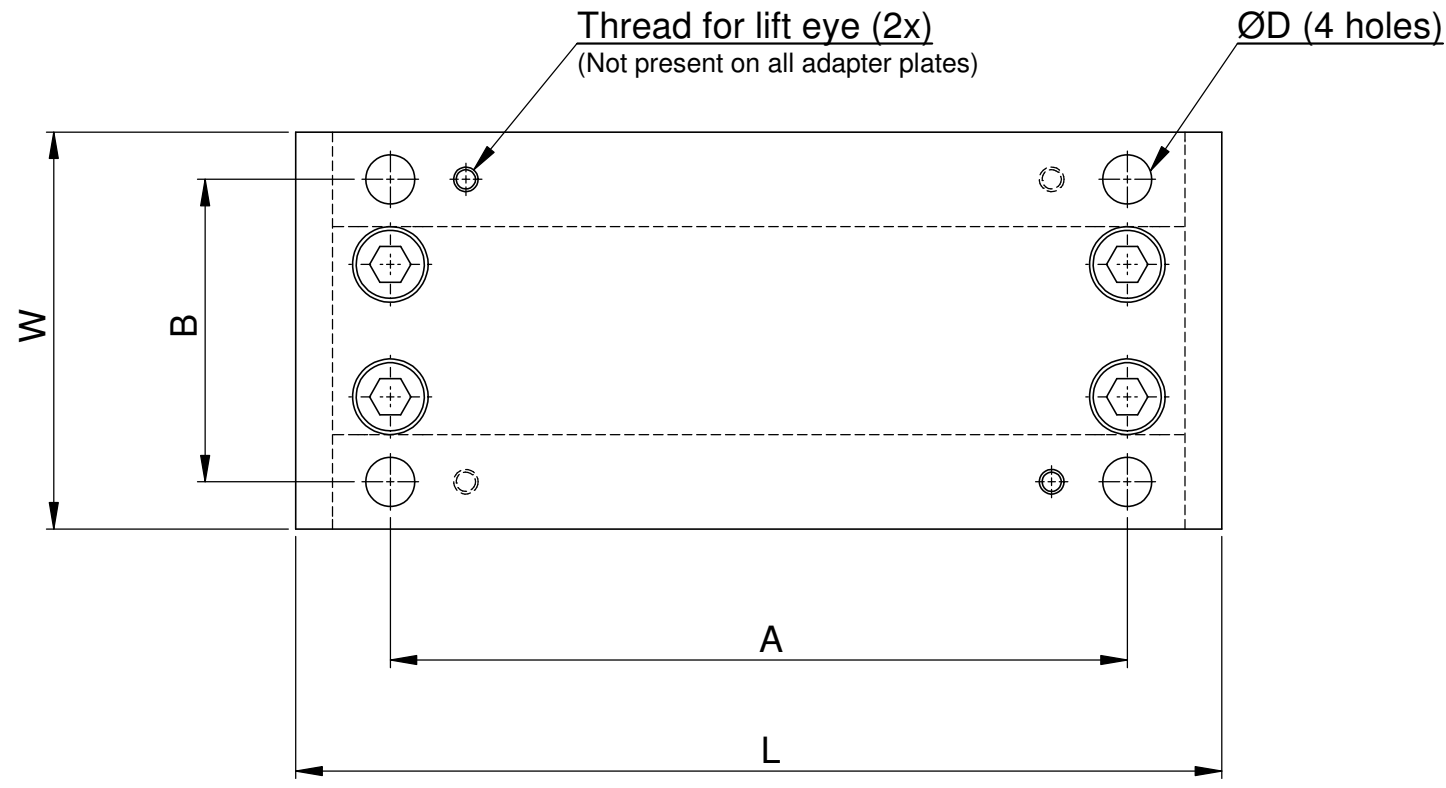
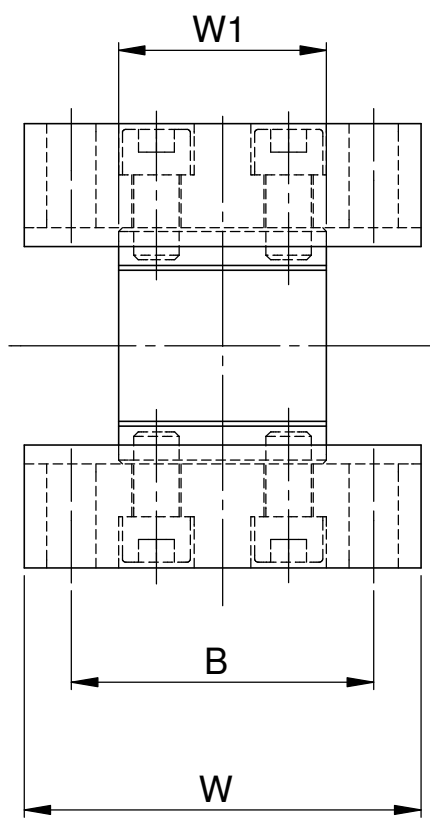
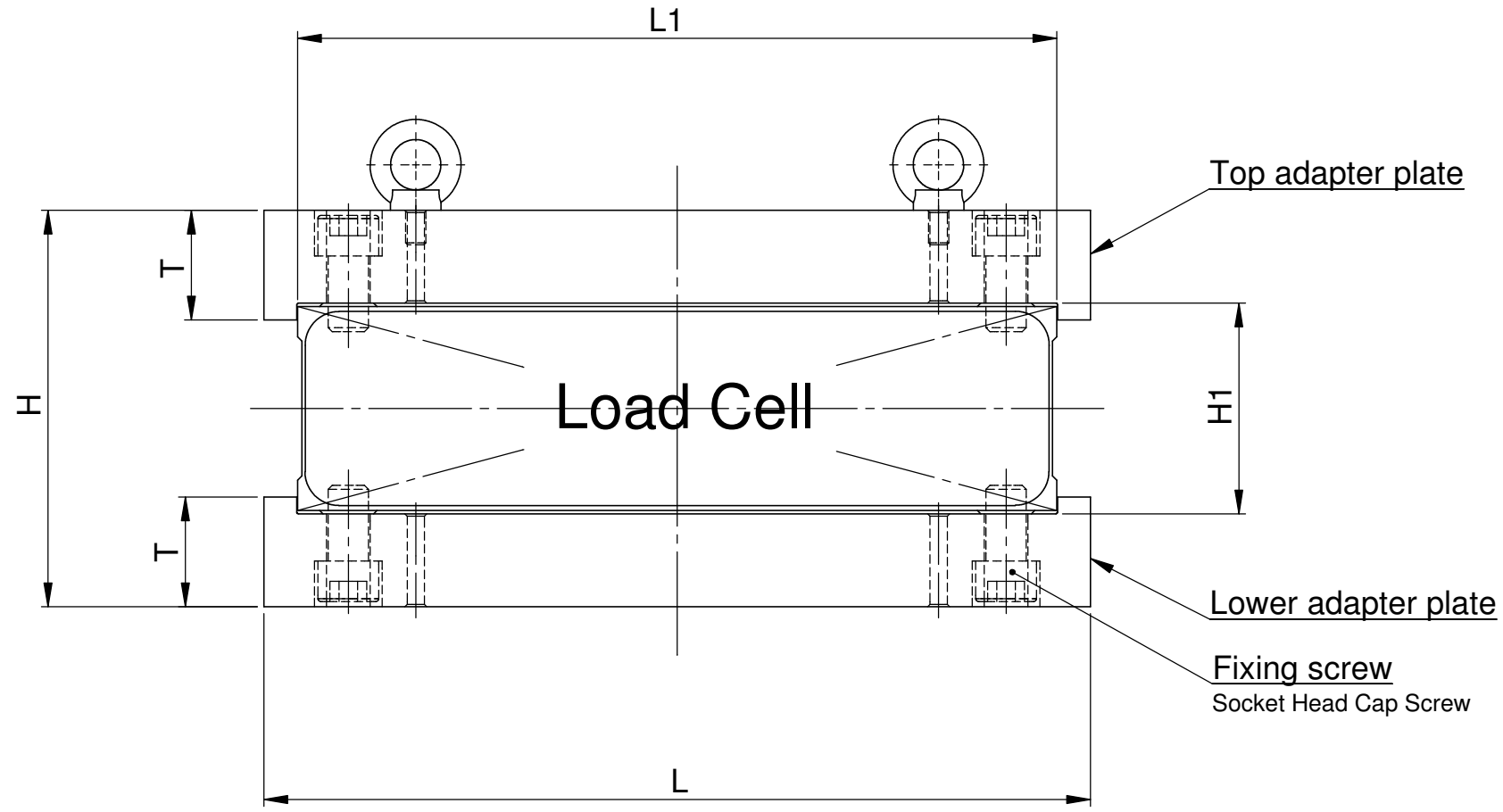

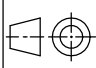


REV	DESCRIPTION	DATE	DEPT./INIT.
C	Drawing replaces 3BSE030638D0004 part 001 rev. B and part 002 rev. D.	2013-11-25	PAMP/FMGE/TP



We reserve all rights in this document and in the information contained therein. Reproduction, use or disclosure to third parties without express authority is strictly forbidden.
 © ABB AB

Prep. PAMP/FMGE Tobias Pettersson 2013-11-28		ABB AB	Arrangement drawing		Cont.sh./No of sh.
Appr. PAMP/FMGE Mattias Moren 2013-12-05			PillowBlock load cells		2
Resp.dept PAMP/FMGE			PillowBlock lastceller		Sheet
Document number 3BSE030638D0004			Lang. en	Rev. C	Sheet 1

Product family : 661130 Bansp.mätare VPBT/HPBT
 Product type designation :
 Product information :

Project or order number :
 Customer reference :
 Modify date : 2013-11-26 13:01:15

Document status: **Approved**

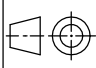
We reserve all rights in this document and in the information contained therein. Reproduction, use or disclosure to third parties without express authority is strictly forbidden.
© ABB AB

Not. 1
The ordering number for a set of adapter plates includes the following details:
1 pc. of upper adapter plate
1 pc. of lower adapter plate
Complete set of fixing screws

Not. 2
Tightening torque for untreated MoS₂ greased screws in strength class 12.9 using a dynamometring wrench or similar with a minimum accuracy of ±5%.
(If other screw materials and strength classes are used see the web tension application design guide for recommendations and tightening torques.)

Load cell	Nominal dimensions in mm									
	L	W	H	A	B	T	D	L1	W1	H1
PFCL201C/CD/CE	450	200	194,6 ±2	410	160	35	18	450	110	125
PFTL101A	230	155	185 ^{+0,7} ₀	170	125	30	14	230	78	125
PFTL101B	360	180	195 ^{+0,7} ₀	260	145	35	18	360	98	125
PFTL201C/CE	490	210	235 ^{+0,2} _{-0,4}	390	160	55	26	450	110	125
PFTL201D/DE	700	310	320 ±0,2	570	230	85	39	650	150	125
PFTL211-CE	400	210	235 ^{+0,2} _{-0,4}	300	160	55	26	360	110	125
PFCL241-SE Upper adapter plate	520	160	262 ±0,2	480	60	56	26	524	160	150
Lower adapter plate		330		430	255					

Load cell	Dimension drawing	Dimension drawing	Manufacturing drawing	Manufacturing drawing	Ordering no.	Ordering no.	Ordering no.	Weight	Tightening torque	
	Upper adapter plate	Lower adapter plate	Upper adapter plate 3BSE030638	Upper adapter plate 3BSE030638	Set of adapter plates 3BSE030638	Upper adapter plate 3BSE030638	Lower adapter plate 3BSE030638	Load cell and adapter plates	Recommended for fixing screws	
PFCL201C/CD/CE	3BSE006699D0004	3BSE006699D0006	D3000	D3001	R1	Not. 1	R3000	R3001	80 kg	286 Nm (M16)
PFTL101A/AE/AER	3BSE012172	3BSE012173	D3100	D3101	R2		R3100	R3101	25 kg	117 Nm (M12) 286 Nm (M16)
PFTL101B/BE/BER	3BSE012170	3BSE012171	D3200	D3201	R3		R3200	R3201	55 kg	286 Nm (M16) 558 Nm (M20)
PFTL201C/CE	3BSE008917	3BSE008917	D3300	D3300	R4		R3300	R3300	120 kg	963 Nm (M24)
PFTL201D/DE	3BSE008918	3BSE008918	D3400	D3400	R5		R3400	R3400	360 kg	3310 Nm (M36)
PFTL211-CE	3BSE061094	3BSE061094	D3500	D3500	R8		R3500	R3500	105 kg	963 Nm (M24)
PFCL241-SE	3BSE056230	3BSE056229	D3600	D3601	R9		R3600	R3601	156 kg	963 Nm (M24)

Prep.	PAMP/FMGE	Tobias Pettersson	2013-11-28	Arrangement drawing PillowBlock load cells PillowBlock lastceller		Cont.sh./ No of sh.
Appr.	PAMP/FMGE	Mattias Moren	2013-12-05			2
Resp.dept	PAMP/FMGE					2
ABB				Document number	Lang.	Rev.
ABB AB				3BSE030638D0004	en	C
Product family : 661130 Bansp.mätare VPBT/HPBT				Project or order number :		
Product type designation :				Customer reference :		
Product information :				Modify date : 2013-11-26 13:01:15		

Document status: **Approved**