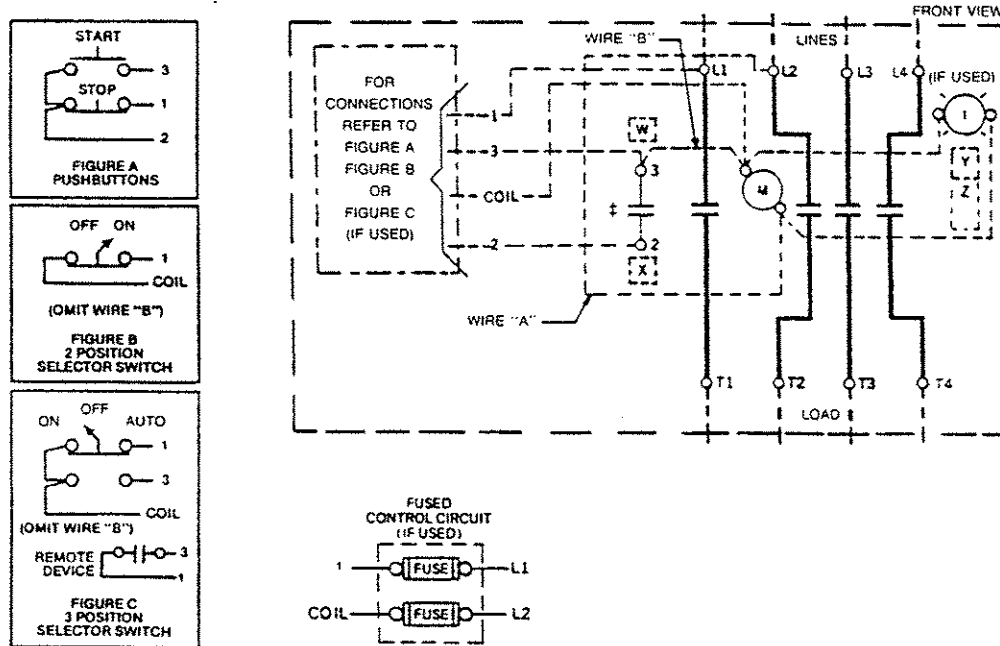


GEJ-7202 Information Label

CR360L Lighting Contactor

30 Ampere



The following accessory kits may be installed on this device.

AUX CONTACT CR305X100A, B, C, D, E
 CONTROL CIRCUIT FUSE CR305X141A, B, C, D
 For CSA-GND KIT 55-213403G001
 1/2-IN CONDUIT 55-213403G002
 3/4-IN CONDUIT 55-213403G002

M-LINE CONTACTOR
 I-INDICATING LIGHT

Use 75°C. copper conductors only, for field wiring. Torque line and load terminals to 20 lb-in.

FOR SEPARATE CONTROL—Omit wire "A" and connect control source to coil and to 1 on control device.

NOTE: Refer to the National Electrical Code. Additional control circuit overcurrent protection may be required.

3-PHASE RATINGS APPLY TO 2-PHASE FORMS.

COIL (Order 15021G plus coil suffix number per table below)

60 Hz	115-120V	200-208V	230-240V	—	460-480V	575-600V
50 Hz	110V	—	220V	380V	440V	550V
Coil Suffix	002	023	003	064	004	005

EXTRA AUXILIARY CONTACTS				
Final Suffix Letter Of CR Number	Contact Location. See Diagram			
	W	X	1Y	1Z
A (Or None)				
B				
C				
D				
E				
F				
G				
H				
J				
1Z	No Holding Interlock			

† Not available when Control Circuit Fuse Kit is used.

PRINCIPAL RENEWAL PARTS
4 Movable & 8 Sta Cont. 546A301G002

