

We reserve all rights in this document and in the information contained therein. Reproduction, use or disclosure to third parties without express authority is strictly forbidden. © ABB 19

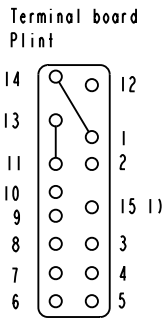
Pos. Läge	R connects förbinder	H connects förbinder	
1	12-13	2-15	
2		3-15	
3		4-15	
4A		5-15	
4		6-15	
5		7-15	
6A		8-15	
6		9-15	
7A		10-15	
7B		11-15	
7		12-15	
7C		12-14	1-15
7D			2-15
7E	3-15		
8	4-15		
9	5-15		
10A	6-15		
10	7-15		
11	8-15		
12	9-15		
12A	10-15		
13			10-15

A position with letter is a through position and gives the same voltage as the normal position.

Läge med bokstav är ett genomloppsläge och ger samma spänning som normalläget.

1) Connections between the terminals 15 of the three phases are included in the star-point type.

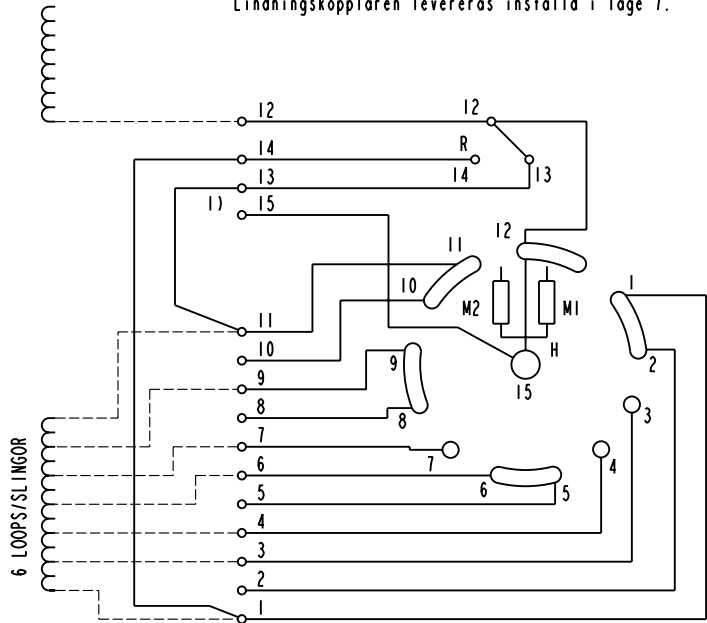
Förbindningar mellan uttag 15 i de tre faserna ingår i nollpunktsutförandet.



Section A-A  
Sektion A-A

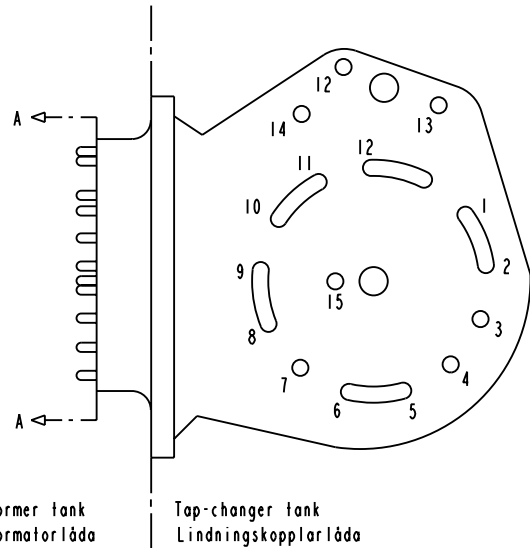
On-load tap-changer type UZER., UZFR., 13 tap positions, plus/minus switching.  
Max effective No. of turns in pos. 1.  
The tap-changer is delivered set in pos. 7.

Lindningskopplare typ UZER., UZFR., 13 lägen, plus/minus-koppling.  
Max antal effektiva varv i läge 1.  
Lindningskopplaren levereras inställd i läge 7.



The tap-changer is shown in pos. 7  
Lindningskopplaren visad i läge 7

- R Change-over selector  
Plus/minus-omkopplare
- H Main contact  
Huvudkontakt
- M1, M2 Transition contacts  
Motståndskontakter



Transformer tank  
Transformatorlåda

Tap-changer tank  
Lindningskopplarlåda

Sheet	Cont
	Year Week
Form No.	Dept
	Year Week
Design checked by	Rev In
	Revision
Design checked by	Appd
	Year Week
Design checked by	Accepted for prod by
	Rev In
Design checked by	Design checked by
	Drawn by
Design checked by	Design checked by
	Issued by Dept Year Week
Design checked by	COM/TKO 97 33
	Lang
Design checked by	Sheet
	Rev In
Design checked by	Cont



Asea Brown Boveri

Description (English)		DATA ORIGINAL	
CONNECTION DIAGRAM		File name	
Description (own language)		0394-3	
KOPPLINGSSHEMA		Lang	Sheet
5492 0394-3		1	1
		Rev In	Cont
		-	-