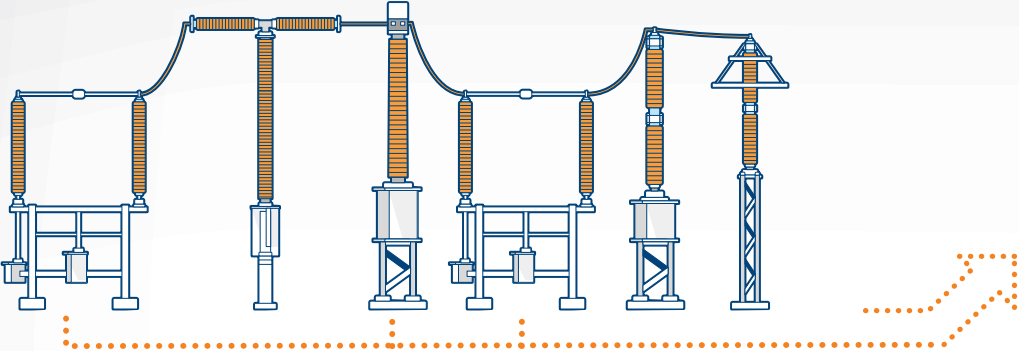


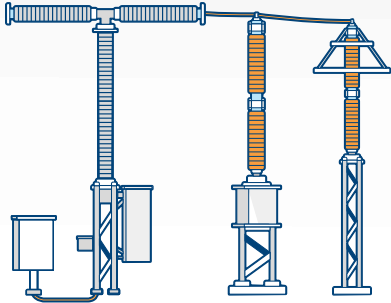
Integrated smart-grid enabling high voltage switchgear*

For a more efficient, reliable and greener grid

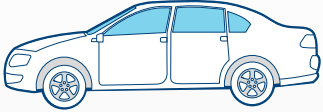
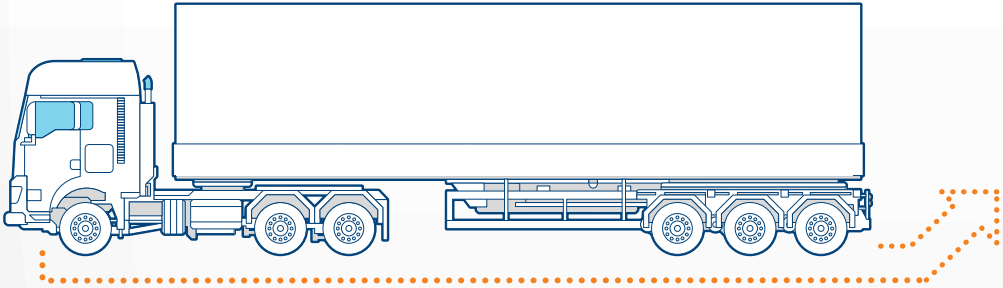
CONVENTIONAL AIR-INSULATED SWITCHGEAR BAY



INTEGRATED SWITCHGEAR BAY



DCB with FOCS
(Disconnecting Circuit
Breaker with Fiber Optic
Current Sensor)



Up to
70% saving^{space}
and total weight reduction by
9 tonnes**

OLD WAY

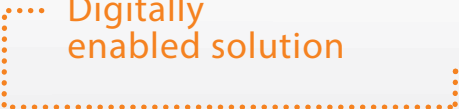


Conventional
solution

10 to 20

copper cables per phase
needed for a conventional
analog signal solution

NEW WAY



Digitally
enabled solution

1 fiber optic
connection per phase

* Voltage range 330-550 kV ** Calculated for 420 kV