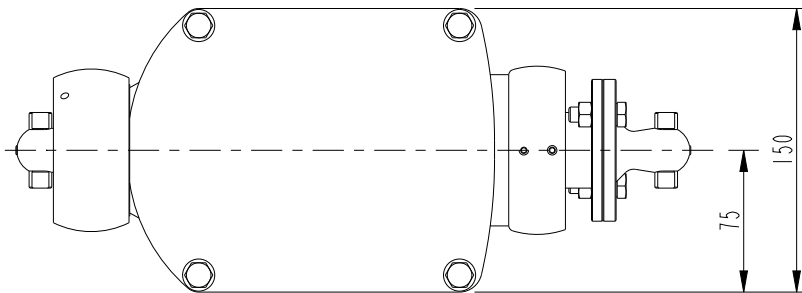
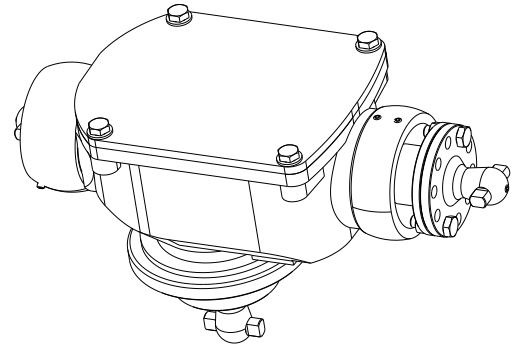
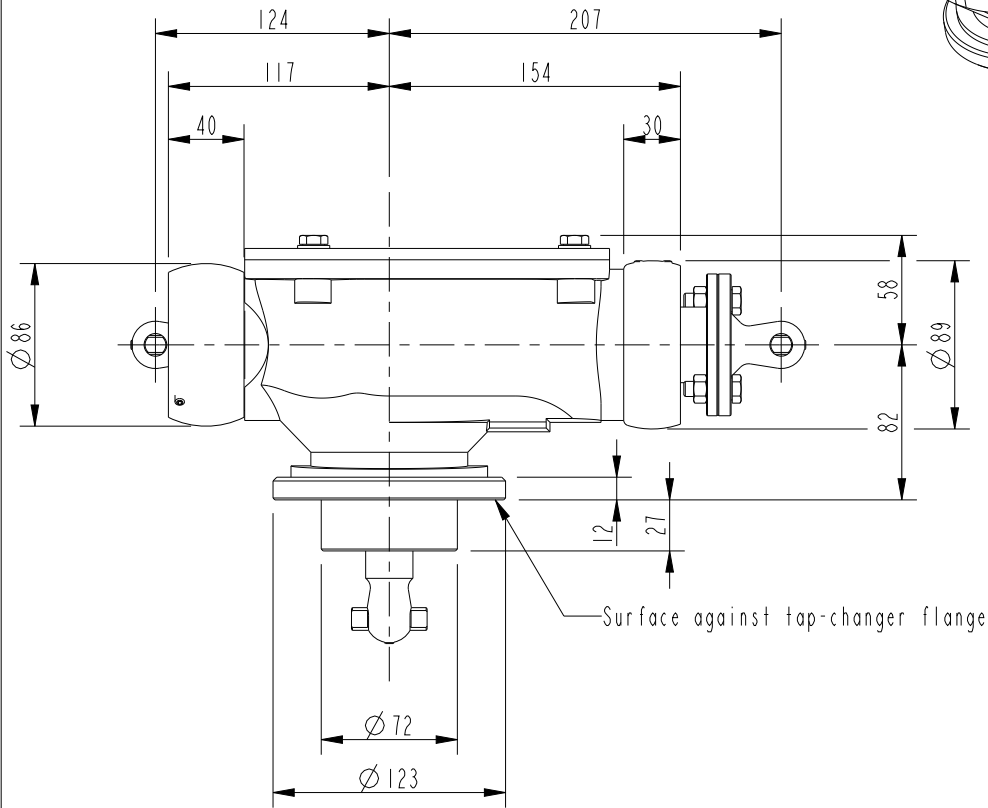


This document is issued by means of a computerized system. The digitally stored original is electronically approved. The approved document has a date entered in the 'Approved'-field. A manual signature is not required.



The information contained in this document has to be kept strictly confidential. Any unauthorized use, reproduction, distribution or disclosure to third parties are strictly forbidden. ABB reserves all rights regarding Intellectual Property Rights. © Copyright 2013 ABB. All rights reserved.

Prepared	2011-04-13	Responsible department	BEVEL GEAR	
Ulf Persson	2011-04-13	PPCO/TK		
Modified by	2012-04-18	Take over department		
Tomas Axelsson	2012-04-18	Used in product	Language	82
Approved by	2015-01-08	Order	Sheet no.	1
Swen Mattsson	2015-01-08	Document no.	54920083-19	No. Shts.
Revision	A			(1)