

We reserve all rights in this document and in the information contained therein. Reproduction, use or disclosure to third parties without express authority is strictly forbidden. © ABB 19

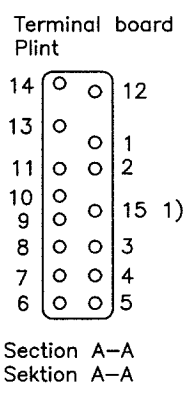
Pos. Läge	R connects förbinder	H connects förbinder
1	13-14	2-15
2		3-15
3		4-15
4		5-15
5		6-15
6		7-15
7		8-15
8		9-15
9		10-15
10		11-15
11		13-15
11A	12-14	1-15
12		2-15
12A		3-15
13		4-15
14		5-15
15		6-15
16		7-15
17		8-15
18		9-15
19		10-15
20	11-15	
21		11-15

A position with letter is a through position and gives the same voltage as the normal position.

Läge med bokstav är ett genomloppsläge och ger samma spänning som normalläget.

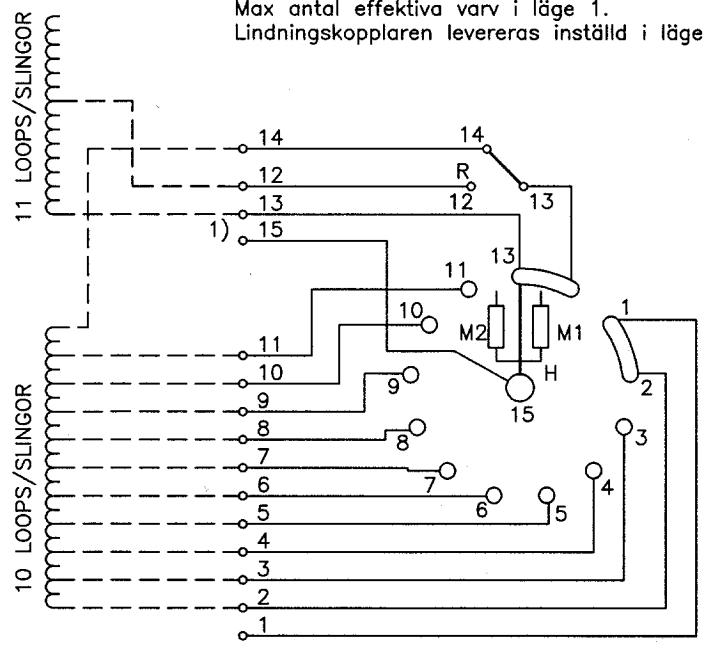
1) Connections between the terminals 15 of the three phases are included in the star-point type.

Förbindningar mellan uttag 15 i de tre faserna ingår i nollpunktsutförandet.



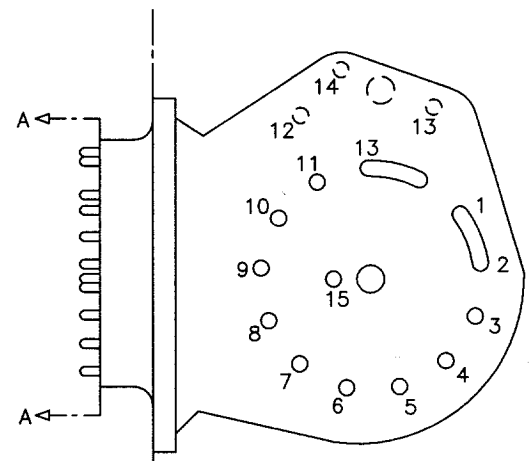
On-load tap-changer type UZED., UZFD., 21 tap positions, coarse/fine switching.  
Max effective No. of turns in pos. 1.  
The tap-changer is delivered set in pos. 11.

Lindningskopplare typ UZED., UZFD., 21 lägen, grov/fin-koppling.  
Max antal effektiva varv i läge 1.  
Lindningskopplaren levereras inställd i läge 11.



The tap-changer is shown in pos. 11  
Lindningskopplaren visad i läge 11

- R Change-over selector  
Grov/fin-omkopplare
- H Main contact  
Huvudkontakt
- M1, M2 Transition contacts  
Motståndskontakter



Transformer tank      Tap-changer tank  
Transformatorlåda      Lindningskopplarlåda

Sheet	Cont
Year	Week
Dept	
Revind	
Design checked by	
Form No.	

Rev Ind	Revision	Appd	Year	Week	
Accepted by qual control R.Yngvesson		Accepted for prod by		Description (English) CONNECTION DIAGRAM	
Design checked by B-O.Stenestam		Drawn by L.Bergman		Description (own language) KOPPLINGSSHEMA	
Drawing checked by M.Hedlund		Issued by Dept Year Week COM/TKO 97 41		Lang	Sheet
 Asea Brown Boveri		5492 0395-5		Revind	Cont
					-
				DATAORIGINAL	
				File name 0395-5	