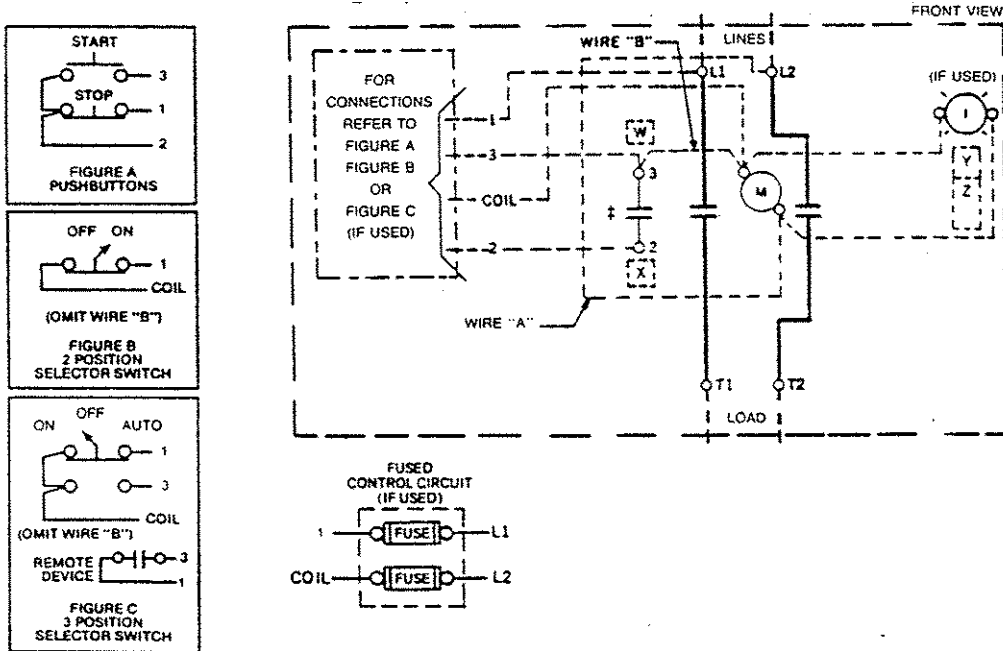


GEJ-7200 Information Label

# CR360L Lighting Contactor

30 Ampere-Single-phase



**M-LINE CONTACTOR**

**I-INDICATING LIGHT**

Use 75°C. copper conductors only, for field wiring. Torque line and load terminals to 20 lb-in.

FOR SEPARATE CONTROL—Omit wire "A" and connect control source to coil and to 1 on control device.

**NOTE:** Refer to the National Electrical Code. Additional control circuit overcurrent protection may be required.

**COIL (Order 15D21G plus coil suffix number per table below)**

60 Hz	115-120V	200-208V	230-240V	—	460-480V	575-600V
50 Hz	110V	—	220V	380V	440V	550V
Coil Suffix	002	023	003	064	004	005

The following accessory kits may be installed on this device.  
 AUX CONTACT CR305X100A. B. C. D. E  
 CONTROL CIRCUIT FUSE CR305X141A. B. C. D  
 For CSA-GND KIT  
 ½-IN CONDUIT 55-213403G001  
 ¾-IN CONDUIT 55-213403G002

Final Suffix Letter Of CR Number	Contact Location. See Diagram			
	W	X	†Y	†Z
A (Or None)				
B				
C				
D				
E				
F				
G				
H				
J				
‡Z	No Holding Interlock			

† Not available when Control Circuit Fuse Kit is used.

<b>PRINCIPAL RENEWAL PARTS</b>
4 Movable & 8 Sta Cont. . . . . 546A301G002

