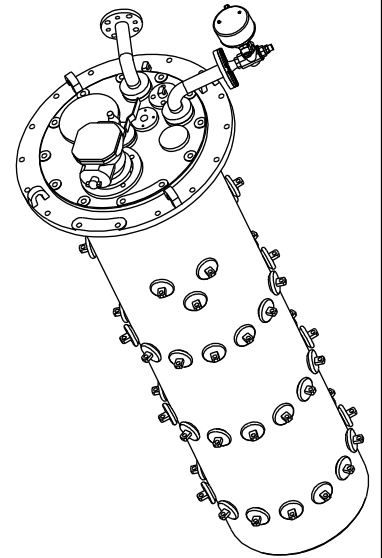
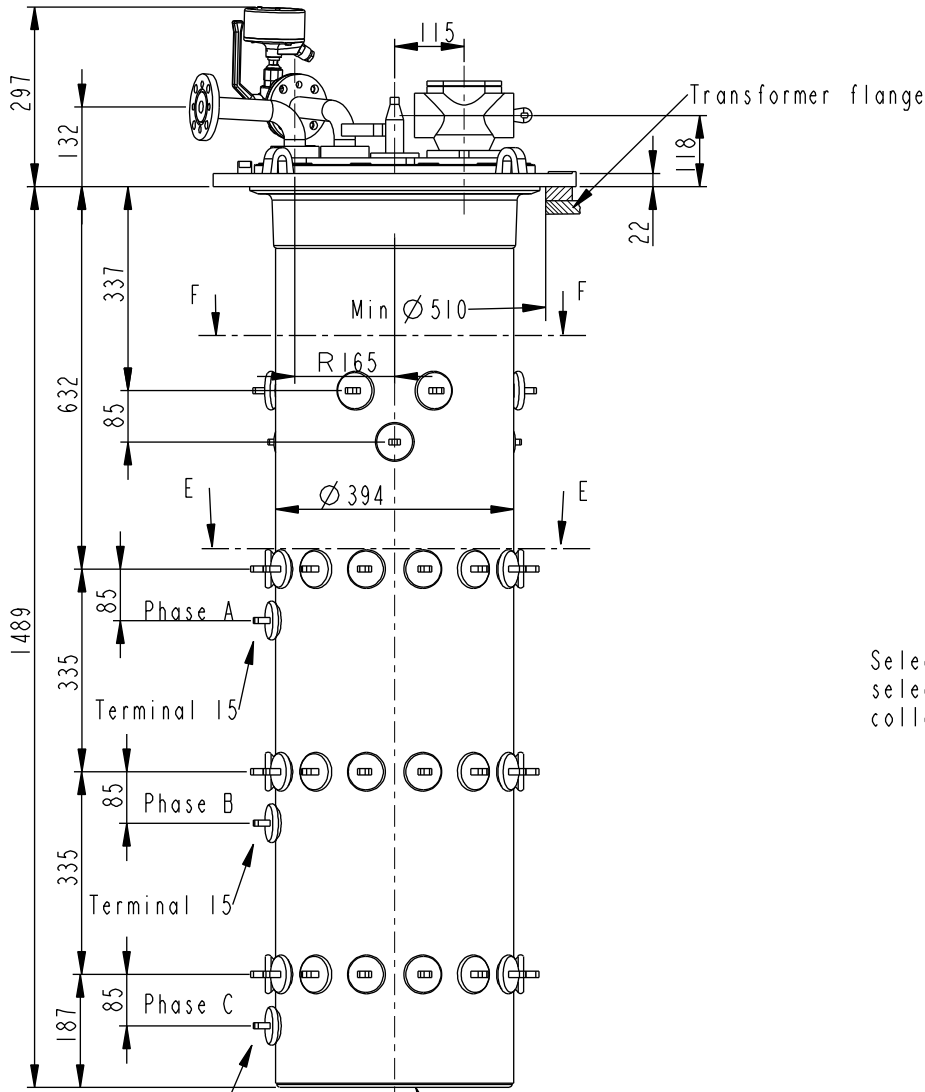
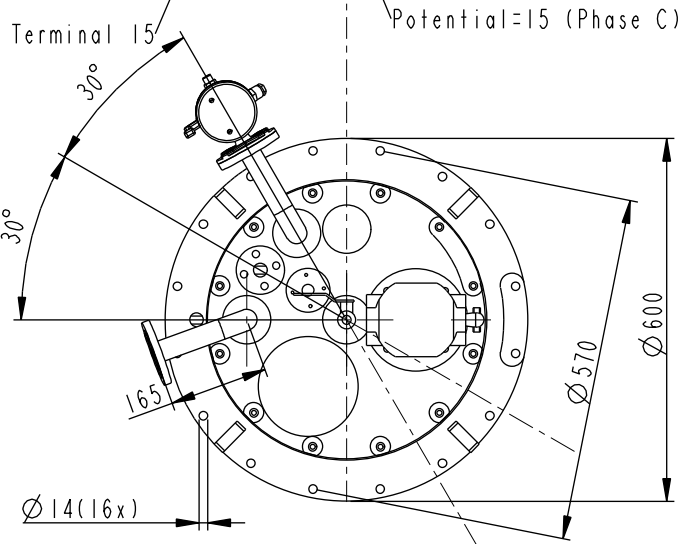
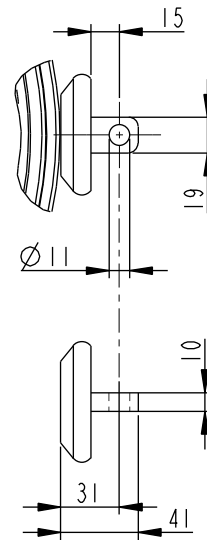




We reserve all rights in this document and in the information contained therein. Reproduction, use or disclosure to third parties without express authority is strictly forbidden. ©ABB



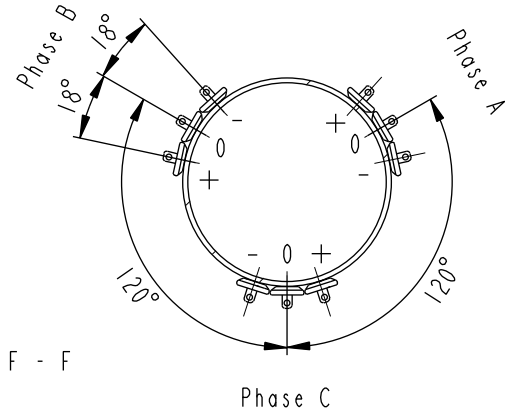
Selector switch contact, change-over selector contact and current collector terminal



Inspection engineering review	Production engineering review	Based on	Reg. No.	Title TAP-CHANGER UBBR AND UBBD UBB.T XXX/YYY	
Design engineering review	Prepared T Sapila 96-04-01	Responsible department COM/TK	Take over department		
Approved B Hultgren	Revision Rev. 3 06-09-26	Database DIMENSION_DWGS	9, 11, 13, 16, 17, 18, 19, 21, 22, 23, 25, 26, 26 pos		
 ABB Components		Document No.	54920088-2		

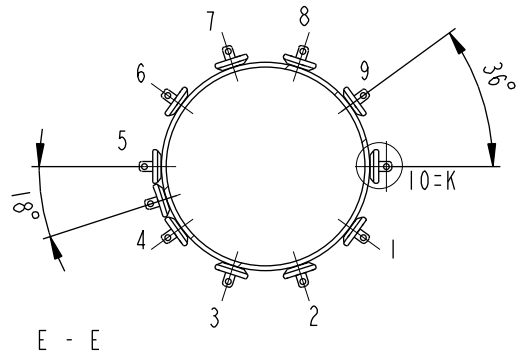
CONTACT ARRANGEMENT

Change-over selector

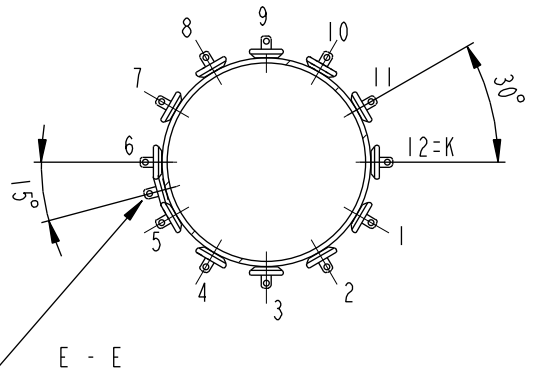


Selector switch

9, 15, 17, 18, 19 POSITIONS

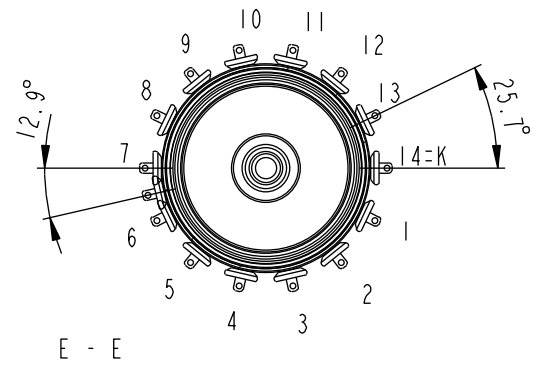


11, 21, 22, 23 POSITIONS



Current collector terminal 15

13, 25, 26, 27 POSITIONS



We reserve all rights in this document and in the information contained therein. Reproduction, use or disclosure to third parties without express authority is strictly forbidden. ©ABB

Production engineering review

Design engineering review

ADDITIONAL DRAWINGS:

Connection Diagrams: See Technical Guide UB
 Mounting on active part: 54920088-8
 Top Section, Accessories: 54920088-10
 Motor Drive BUL: 54830001-1
 Motor Drive BUE: 54830001-2 or -3
 External Drive Shaft: 54920088-9
 Pressure Relay: 54920083-2
 Bevel Gear: 54920083-1

Based on	Reg. No.	Title	
Prepared T Sapila 96-04-01	Responsible department COM/TK	TAP-CHANGER UBBR AND UBBD UBB.T XXX/YYY	
Approved B Hultgren	Take over department		Language en
Revision Rev. 3 06-09-26	Database DIMENSION_DWGS		Page 2(2)
ABB ABB Components		Document No.	54920088-2

Inspection engineering review