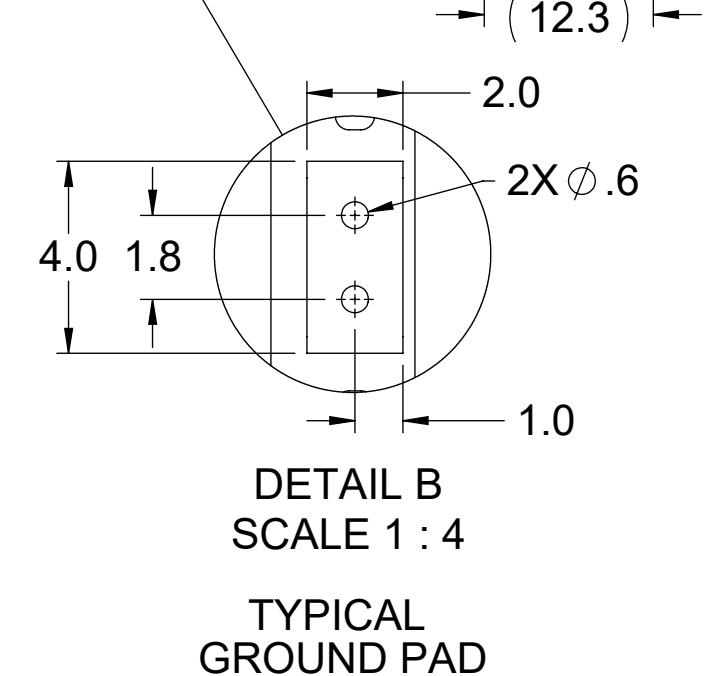
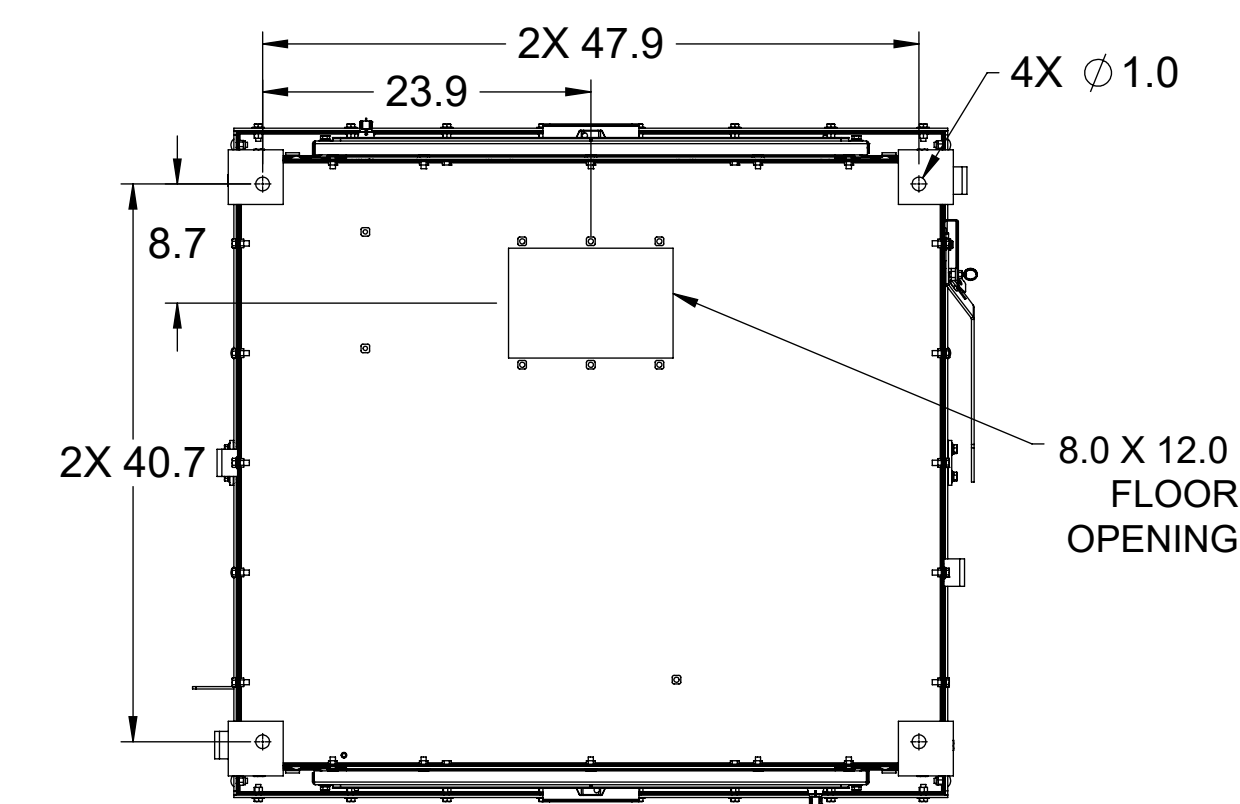
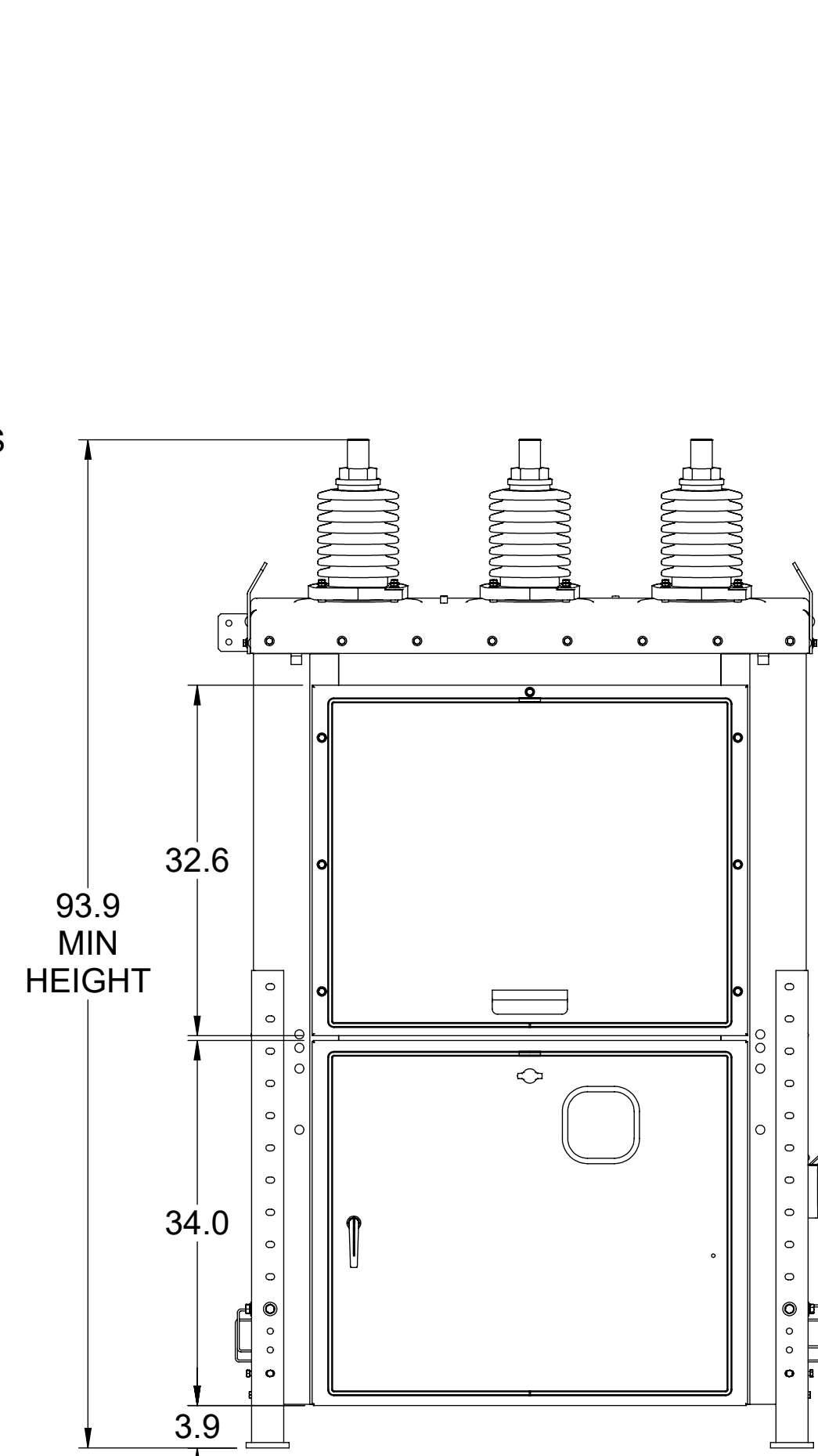
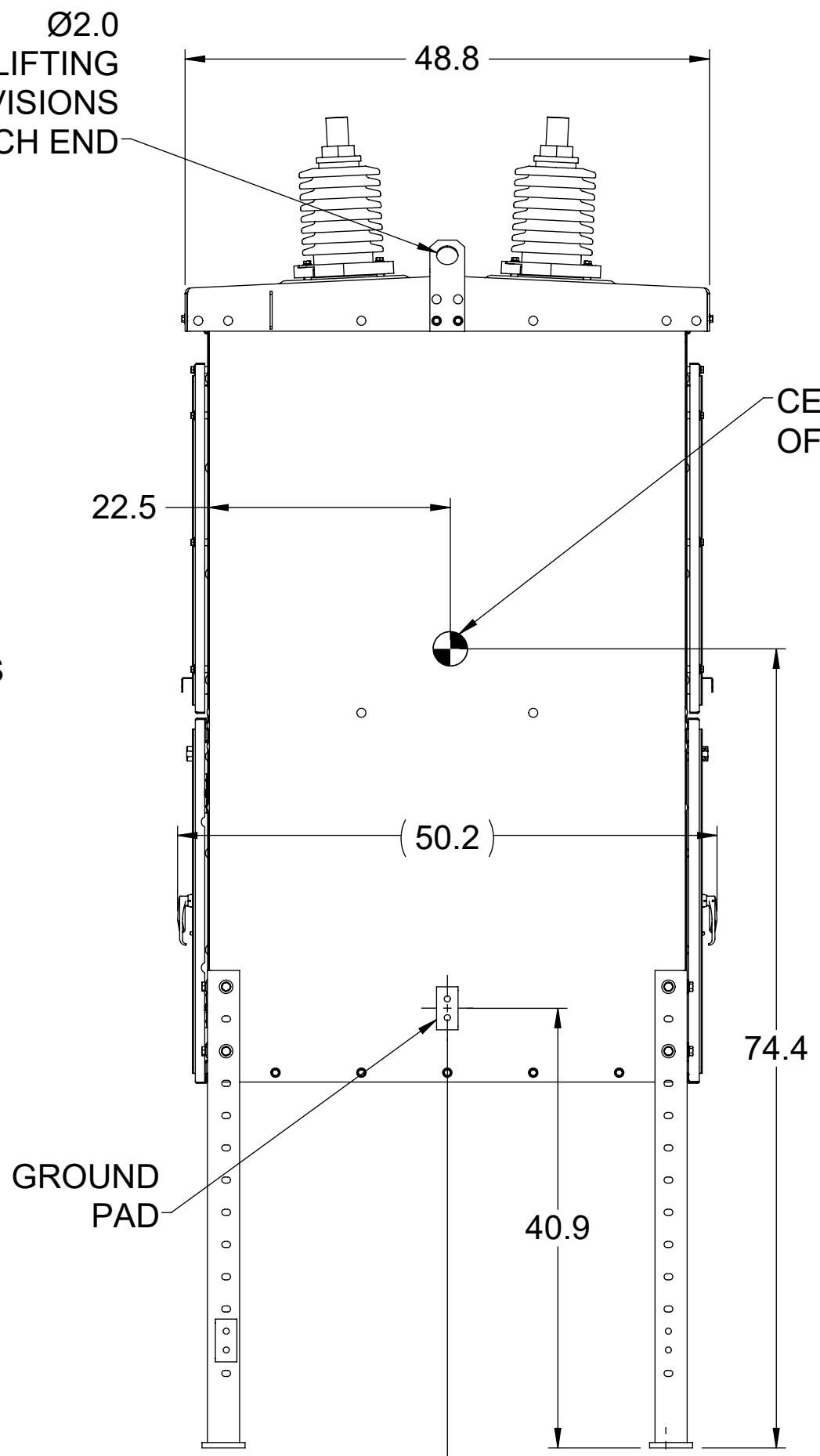
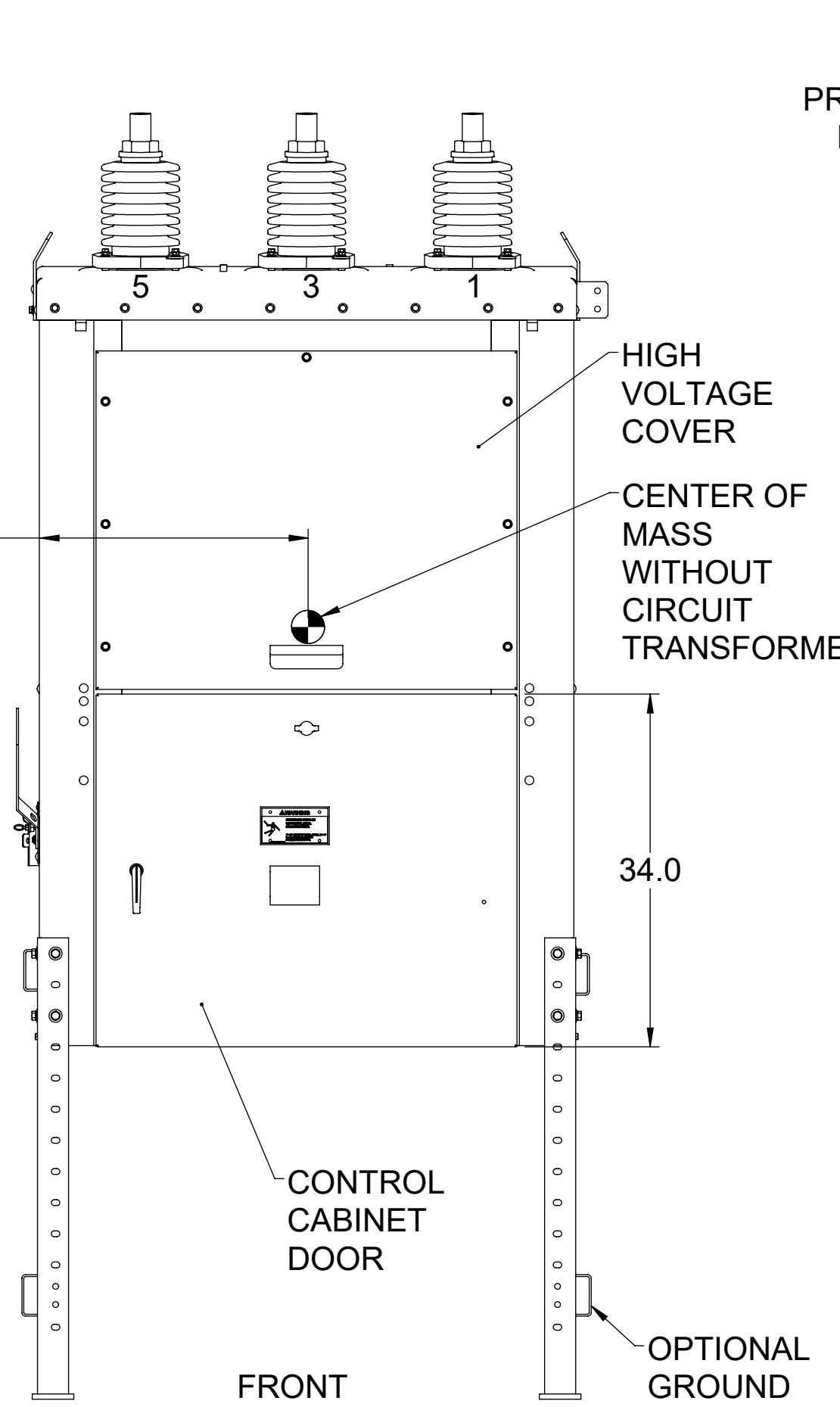
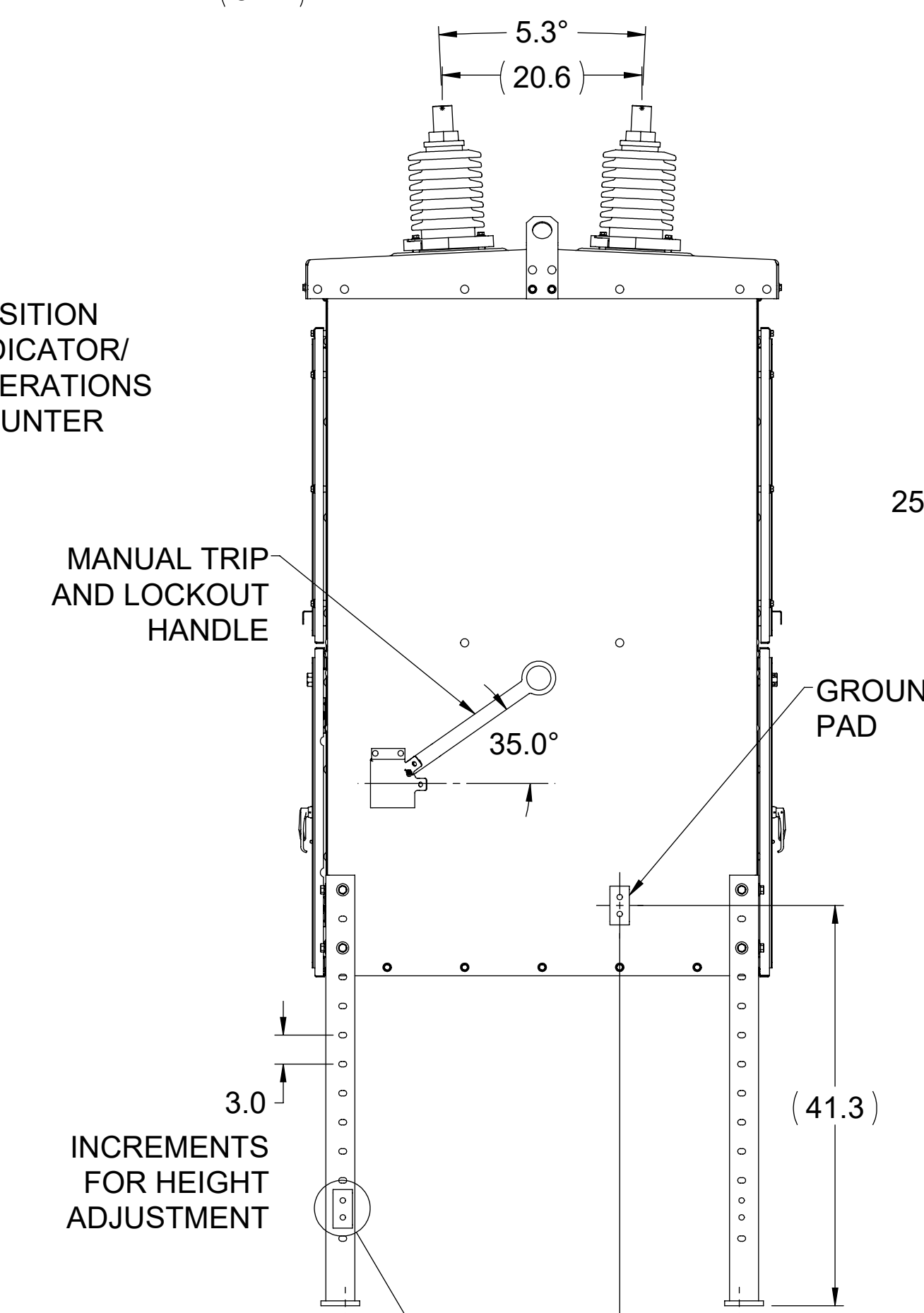
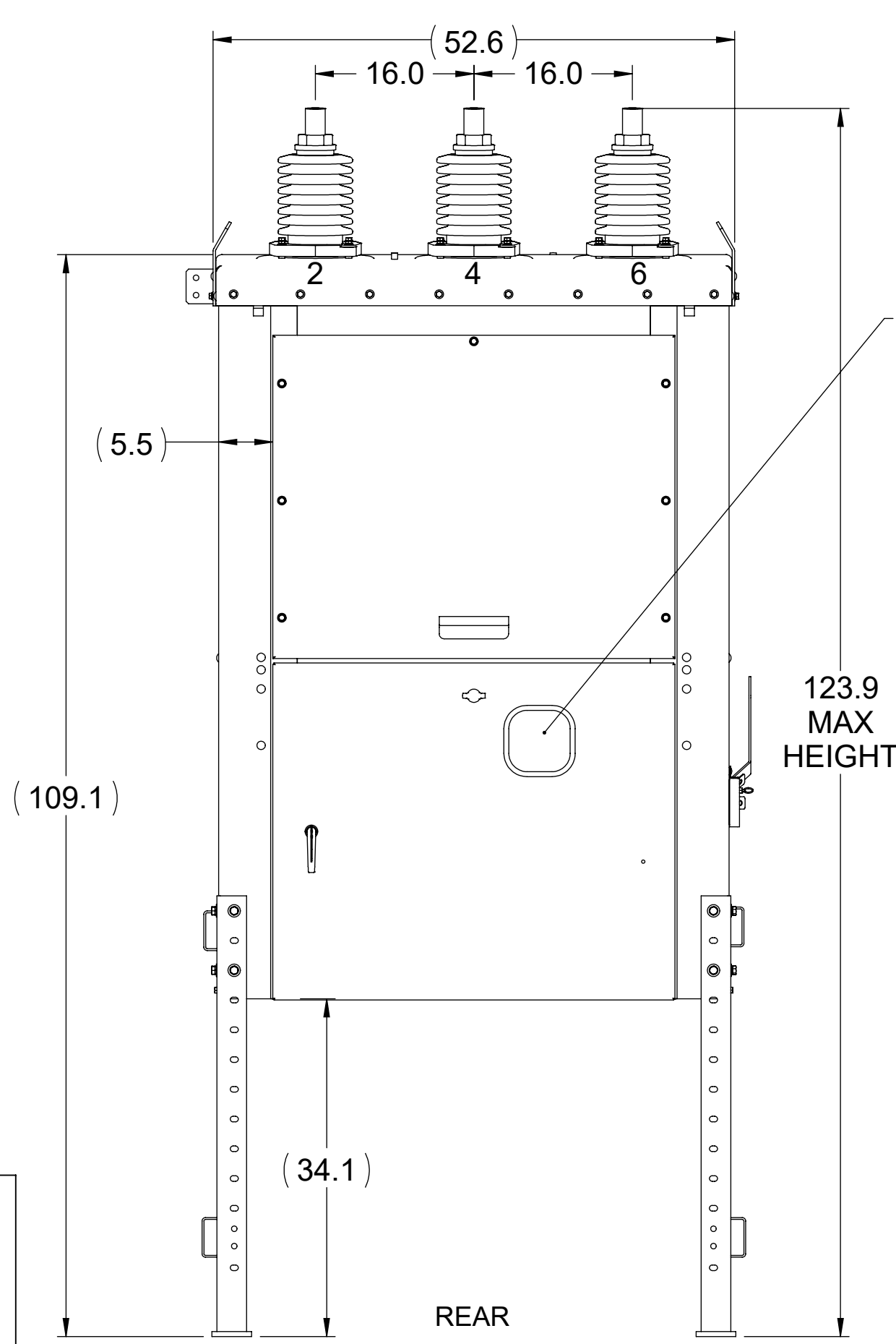
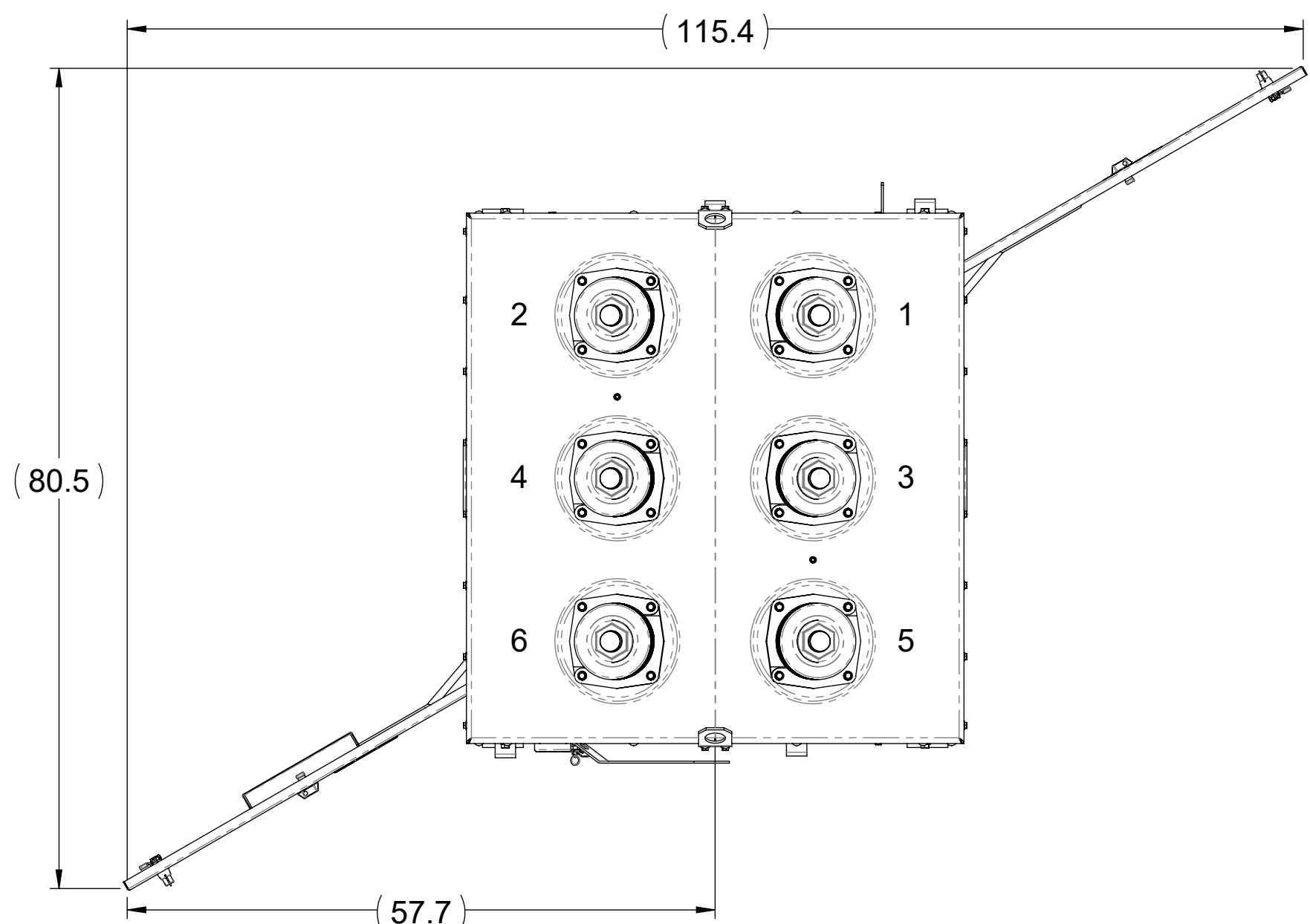


NOTES:

1. ESTIMATED MASS OF STANDARD DESIGN WITHOUT ELECTRICS, WIRING OR CIRCUIT TRANSFORMERS: 2400 LBS.



CONFIDENTIAL: All information in this document is the property of ABB. Any unauthorized use, reproduction, distribution or disclosure to third parties is prohibited. © Copyright 2015 ABB. All rights reserved.

Zone		Rev.	Description	Revisions		Date
B		B	INITIAL RELEASE			2022-02-15
Material	Weight	Surface	Finish			
Type	Derived from		Drawing status		Rel. for Production	
Revision B	EC No. ECO-N0000577	Responsible MXSLP	Title GENERAL ASSEMBLY, 15KV		Scale 1:14	
	Location	Date	Name 2000A/2000A, NEMA 3R		Language EN	
Drawn MX-SLP	2022-02-10	P. Moron-Patino	Subtitle R-MAG		Format D	
Checked MX-SLP	2022-02-15	J. Avila				
Approved MX-SLP	2022-02-15	E. Martinez-Cruz				
ABB Switzerland Ltd. Group Technology Management			Drawing No. 2RNA001454A0010		Sheet No. 1/1	