



# OEM Instrument Transformer Reference Guide Meter and Relay Applications

Power and productivity  
for a better world™



# General Index Guide

## 600 Volt Current Transformers

Primary current	Window Diameter (in.)	ABB Type	GE-ITI Equivalent	ABB Product Bulletin	Page
50 to 1000	2.5	IMC	N/A	1VAP428101-DB	4-5
600 to 4000	5.5	CLC	N/A	1VAP428241-DB	4-5
2000 to 6000	8.25	CLE	N/A	1VAP428261-DB	6-7
750 to 4000	5.5	RLC	N/A	1VAP428281-DB	8-11
200 to 4000	5.75	DEH-705	N/A	1VAP701011-DB	12-13
100 to 6000	8.13	CEH-636	N/A	1VAP701031-DB	14-15
50 to 6000	5.0	SCT-983	N/A	1VAP701051-DB	16-17
200 to 4000MR	3.5	RMB(X)-644	N/A	1VAP701081-DB	18-19

## Low Voltage Switchgear CTs

Primary current	Window Diameter (in.)	ABB Type	GE-ITI Equivalent	ABB Product Bulletin	Page
100 to 6000	N/A	DSM	350, 360, 365	1VAP428621-DB	20-21
50 to 800	1.5-3.75	SCH-3U	N/A	1VAP428642-DB	22-23
50 to 800	1.5-3.75	SCH	296, 297, 298, 299, 300	1VAP428641-DB	24-27
50 to 4000	2.25-4.62	SCG	112, 113, 114, 115, 117	1VAP428651-DB	26-29
200 to 4000MR	3.05 & 3.8	SCJ	353R, 353M, 354R, 354M	1VAP428861-DB	30-31
100 to 2500	1.63 & 2	SCS	351R, 351M	1VAP428871-DB	32-33

## Medium Voltage Switchgear CTs

Primary current	Window Diameter (in.)	ABB Type	GE-ITI Equivalent	ABB Product Bulletin	Page
50 to 100	4.75	BYZ	N/A	1VAP428561-DB	34-35
50 to 100	7.25	BYZ-S	143	1VAP428611-DB	34-35
50 to 100	5.0	BYZ-O	N/A	1VAP428612-DB	36-37
50 to 500	8.06 x 20.06	BYZ-L	N/A	1VAP428613-DB	36-37
75 to 4000	6.5	SCV	780, 781	1VAP428601-DB	38-39
50 to 6000	6.5	SCV-D	785, 786	1VAP428602-DB	40-41
50 to 5000	5.25	SAB-1	622, 623	1VAP428781-DB	42-43
1500 to 5000	6.5	SAB-2	N/A	1VAP428781-DB	42-43
50 to 5000	5.25	SAB-1D	624	1VAP428781-DB	44-45
1500 to 5000	6.5	SAB-2D	625	1VAP428781-DB	44-45
50 to 5000	7.02	SCR	680, 681	1VAP428791-DB	46-47
50 to 5000	7.02	SCR-D	685, 686	1VAP428791-DB	48-49
200 to 4000	4.25	SCE	170	1VAP428631-DB	50-51
200 to 3000	4.0	SCN	100	1VAP428661-DB	50-51
200 to 3000	4.0	SCN-D	110	1VAP428661-DB	52-53
200 to 4000	5.75	SCM	125	1VAP428681-DB	54-55
200 to 4000	5.75	SCL	120	1VAP428671-DB	54-55
200 to 4000	5.75	SCL-D	130	1VAP428671-DB	56-57
200 to 4000	5.75	SCO	135	1VAP428691-DB	56-57
50 to 3000	6.0 & 8.13	SCP	144, 142, 140	1VAP428881-DB	58-59
50 to 6000	6.0 & 8.13	SCD	145, 143, 141	1VAP428801-DB	60-61
200 to 4000	4.5 & 5.25	SCB	306, 306MR	1VAP428931-DB	62-63
200 to 4000	4.5	RCB	307, 307MR	1VAP428851-DB	64-65
50 to 5000	5.5 & 6.5	RCI	137, 137MR, 139, 139MR	1VAP428811-DB	66-67
200 to 4000	5.75	SCA	308, 308MR	1VAP428821-DB	68-69
200 to 4000	5.75	RCA	309, 309MR	1VAP428841-DB	70-71
2000 to 10000	10.0	RCF	147	1VAP428891-DB	72-73
2500 to 8000	10.0	RCF-D	N/A	1VAP428891-DB	72-73
50 to 3000	4.0-7.0	RCT	720, 725, 730	1VAP428541-DB	74-75
150 to 4000	4.0-7.0	RTL	722, 727, 732	1VAP428551-DB	76-77
Multi-Ratio	N/A	AUXILIARY	N/A	1VAP428501-DB	78-79

## 600 Volt Voltage Transformers

Primary current	Class	ABB Type	GE-ITI Equivalent	ABB Product Bulletin	Page
60 to 600	Indoor	PPW & PPD	460, 465	1VAP428711-DB	80-81
40 to 600	Indoor/Outdoor	PPM & PPX	456	1VAP428731-DB	82-83

## 5 kV - 25 kV Indoor Current Transformers

Primary current	Class	ABB Type	GE-ITI Equivalent	ABB Product Bulletin	Page
75 to 4000	5 kV Indoor	AB-5	675	1VAP429091-DB	84-85
5 to 1200	5 kV Indoor	KIR-60	CTWH3-60-T100	1VAP429141-DB	86-87
400 to 4000	5 kV Indoor	KIT-60	N/A	1VAP429151-DB	88-89
100 to 4000	5 kV Indoor	TD-994	N/A	1VAP701141-DB	90-91
200 to 4000	5 kV Indoor	RMB(X)-631	N/A	1VAP701131-DB	92-93
5 to 1200	8.7 kV Indoor	KIR-75	CTWH4-75-T100	1VAP429141-DB	94-95
800 to 4000	8.7 kV Indoor	KIT-75	N/A	1VAP429151-DB	96-97
100 to 4000	8.7 kV Indoor	HSB-994	N/A	1VAP701151-DB	98-99
100 to 4000	8.7 kV Indoor	HTD-994	N/A	1VAP701161-DB	100-101
600 to 12000	8.7 kV Indoor	STBB-991/992	N/A	1VAP701171-DB	102-103
5 to 1200	15 kV Indoor	KIR-11	CTWH5-B-110-T200	1VAP429141-DB	104-105
5 to 1200	15 kV Indoor	KIR-11ES	N/A	1VAP429142-DB	106-107
800 to 4000	15 kV Indoor	KIT-11	N/A	1VAP429151-DB	108-109
800 to 4000	25 kV Indoor	KIT-15	N/A	1VAP429151-DB	110-111

## 5 kV - 36 kV Outdoor Current Transformers

Primary current	Class	ABB Type	GE-ITI Equivalent	ABB Product Bulletin	Page
800 to 4000	5 kV Outdoor	KOT-60	N/A	1VAP429301-DB	112-113
800 to 4000	8.7 kV Outdoor	KOT-75	N/A	1VAP429301-DB	114-115
200 to 3000	15 kV Outdoor	LG(X)-15-585	N/A	1VAP701181-DB & 1VAP701182-DB	116-117
200 to 3000	15 kV Outdoor	LG(X)-15-683	N/A	1VAP701191-DB	118-119
200 to 3000	15 kV Outdoor	LG-15-879	N/A	1VAP701201-DB	120-121
200 to 6000	15 kV Outdoor	LG(X)-15-6513	N/A	1VAP701211-DB	122-123
800 to 4000	15 kV Outdoor	KOT-11	N/A	1VAP429301-DB	124-125
400 to 5000	15 kV Outdoor	KOTD-110	N/A	42-940	126-129
200 to 3000	25 kV Outdoor	LG(X)-25-585	N/A	1VAP701221-DB & 1VAP701222-DB	130-131
200 to 10000	25 kV Outdoor	LG-25-879	N/A	1VAP701231-DB	132-133
200 to 6000	25 kV Outdoor	LG(X)-25-6513	N/A	1VAP701241-DB	134-135
800 to 4000	25 kV Outdoor	KOT-15	N/A	1VAP429301-DB	136-137
400 to 5000	25 kV Outdoor	KOTD-150	N/A	42-940	138-141
200 to 3000	34.5 kV Outdoor	LG(X)-34-879	N/A	1VAP70125-DB & 1VAP701252-DB	142-143
400 to 5000	34.5 kV Outdoor	KOTD-200	N/A	42-940	144-147

## 5 kV - 36 kV Indoor Voltage Transformers

Primary current	Class	ABB Type	GE-ITI Equivalent	ABB Product Bulletin	Page
2400 to 4800	5 kV Indoor	VIIY-60	PTW3-1-60 and PTW3-2-60	1VAP429511-DB	148-149
2400 to 7200/7200	8.7 & 15 kV Indoor	VIZ-75	N/A	1VAP429551-DB	150-151
2400 to 7200	8.7 & 15 kV Indoor	VIZ-75E	N/A	N/A	152-153
7200 to 14400	8.7 & 15 kV Indoor	VIZ-11	N/A	1VAP429551-DB	154-157
7200 to 14400	8.7 & 15 kV Indoor	VIZ-11E	N/A	N/A	158-159
2400 to 14560	15 kV Indoor	VIL-95 & VIL-95S	N/A	1VAP429581-DB	160-161
7200 to 24000	25 kV Indoor	VIL-12 & VIL-12S	N/A	1VAP429581-DB	162-163
14400 to 24000	25 kV Indoor	VIZ-12 & VIZ-12G	PT6-1-125 and PT6-2-125	1VAP429762-DB	164-165
14400 to 24000	25 kV Indoor	VIZ-15 & VIZ-15G	PT7-1-150 and PT7-2-150	1VAP429761-DB	166-167
18000 to 24000	25 kV Indoor	VIZZ-15 & VIZZ-15G	N/A	1VAP429591-DB	168-169
20125 to 34500	36 kV Indoor	VIZ-20 & VIZ-20G	PT7-1-200 and PT7-2-200	1VAP429601-DB	170-171

## 5 kV - 36 kV Outdoor Voltage Transformers

Primary current	Class	ABB Type	GE-ITI Equivalent	ABB Product Bulletin	Page
7200 to 24940	25 kV Outdoor	VOY-15 & VOY-15G (HCEP)	N/A	1VAP429701-DB	172-173
7200 to 24940	25 kV Outdoor	VOY-15 & VOY-15G (PUR)	N/A	42-970	172-173
14400 to 34500	36 kV Outdoor	VOY-20 & VOY-20G (HCEP)	N/A	1VAP429741-DB	174-175
14400 to 34500	36 kV Outdoor	VOY-20 & VOY-20G (PUR)	N/A	1VAP429742-DB	174-175
20125 to 34500	36 kV Outdoor	VOHD-200 & VOHD-200G	N/A	42-977	176-177
14400 to 24000	25 kV Outdoor	VOZZ-15 & VOZZ-15G	N/A	1VAP429781-DB	176-177
20125 to 34500	36 kV Outdoor	VOZZ-20 & VOZZ-20G	N/A	1VAP429791-DB	178-179

## 5 kV - 15 kV Control Power Transformers

Primary current	Class	ABB Type	GE-ITI Equivalent	ABB Product Bulletin	Page
2400 to 14400	5 kV & 15 kV	CPT-IK-5	CPT3-60-5 CPTS3-60-5	PB 1VAP600001-DB	180-181
2400 to 14400	5 kV & 15 kV	CPT-IK-10 and CPT-IK-15	CPT5-95-15 CPTS5-95-15 CPT5-95-10 CPTS5-95-10	PB 1VAP600002-DB	182-185

## Custom Engineered Designs

Class	Type	ABB Product Bulletin	Page
Multi-Ratio	A-Auto	42-852	186-187
600 Volt	FSR-983	1VAP701061-DB	186-187
600 Volt	PSH-993	1VAP701071-DB	188-189
600 Volt	ACT-983	1VAP701111-DB	190-191
600 Volt	ACT-633/645	1VAP701101-DB	192-193
600 Volt	APT-646/733	1VAP701091-DB	194-195
600 Volt	BYZ-863/865	N/A	196
600 Volt	PSZ-981	N/A	196
600 Volt	BCT-605/BH-001	1VAP428582-DB	197
600 Volt	SP-061	1VAP701301-DB	197
600 Volt	CO-9740	1VAP701121-DB	198-199
600 Volt	SCADA-BEH	1VAP701001-DB	200-201
600 Volt	SCADA-DEH	1VAP701021-DB	202-203
600 Volt	SCADA-CEH	1VAP701041-DB	204-205
600 Volt	PS-981/PH-982	1VAP701331-DB	204-205
600 Volt	ACCUSlip™	1VAP701261-DB	206-207
600 Volt	PSG-981	1VAP701331-DB	208
600 Volt	ISO-Phase Bus GCT-848/HW-945/GCT-802	N/A	209
Circuit Breaker Application Guide			210-211
Competitor Cross reference			212-213
Standard Current Transformer Multi-Ratio Taps			214
Burden Standards			214

# 600 V Current Transformers

1VAP428101-DB

## TYPE IMC

600 Volts  
Indoor  
10 kV BIL  
60 Hertz

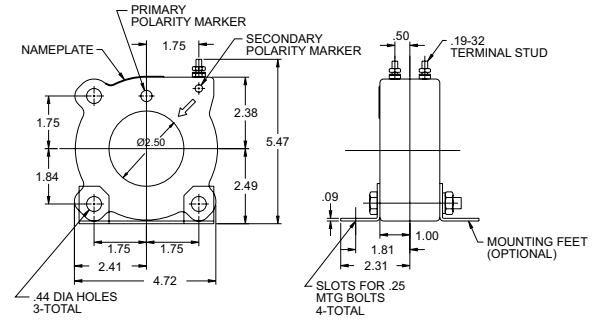
Mechanical Rating:  
180 x Normal



UL Recognized Component

Optional accessory:

Mounting Feet (set of 2) Style 9628A05G01



### TYPE IMC

Primary Amps	Style Number	Rating Factor	
		30°C	55°C
50	7524A98G11	2.0	1.5
100	7524A98G01	2.0	1.5
150	7524A98G02	2.0	1.5
200	7524A98G03	2.0	1.5
250	7524A98G04	2.0	1.5
300	7524A98G05	2.0	1.5
400	7524A98G06	2.0	1.5
500	7524A98G07	2.0	1.5
600	7524A98G08	1.5	1.2
800	7524A98G09	1.33	1.0
1000	7524A98G10	1.0	0.75

IEEE Metering Accuracy*			Thermal Rating (x normal, 1 sec)	Weight (lb.)
B-0.1	B-0.2	B-0.5		
2.4	-	-	100	3.5
1.2	-	-	100	3.5
1.2	1.2	-	100	3.5
0.6	1.2	2.4	100	3.5
0.6	1.2	2.4	100	3.5
0.6	0.6	0.6	100	3.5
0.6	0.6	0.6	100	3.5
0.3	0.3	0.6	100	3.5
0.3	0.3	0.6	80	3.5
0.3	0.3	0.3	60	3.5
0.3	0.3	0.3	50	3.5

## TYPE CLC

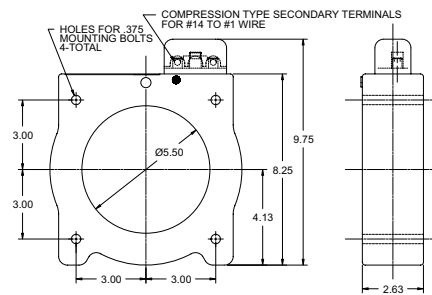
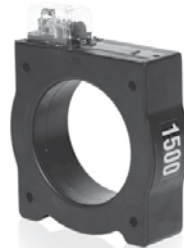
600 Volts  
Indoor  
10 kV BIL  
60 Hertz

Mechanical Rating:  
180 x Normal



UL Recognized Component

Optional accessory: Mounting Feet Style 9628A05G20



1VAP428241-DB

Primary Amps	Style Number	Rating Factor	
		30°C	55°C
600	7524A58G16	3.0	2.2
800	7524A58G01	2.0	1.5
1000	7524A58G02	2.0	1.5
1200	7524A58G03	2.0	1.5
1500	7524A58G04	3.0	2.2
2000	7524A58G05	2.0	1.5
3000	7524A58G06	1.5	1.2
4000	7524A58G07	1.33	1.0
600/1200	7524A58G08	3.0/2.0	2.2/1.5
800/1600	7524A58G09	3.0/2.0	2.2/1.5
1000/2000	7524A58G10	3.0/2.0	2.2/1.5
1500/3000	7524A58G11	2.0/1.5	1.5/1.2
2000/4000	7524A58G12	2.0/1.33	1.5/1.0

IEEE Metering Accuracy*					Relay Accuracy	Weight (lb.)
B-0.1	B-0.2	B-0.5	B-0.9	B-1.8		
0.3	0.3	0.3	-	-	C30	11
0.3	0.3	0.3	-	-	C30	11
0.3	0.3	0.3	-	-	C50	11
0.3	0.3	0.3	0.3	-	C30	11
0.3	0.3	0.3	0.3	0.3	C50	11
0.3	0.3	0.3	0.3	0.3	C10	11
0.3	0.3	0.3	0.3	0.3	-	11
0.3	0.3	0.3	-	-	① C10/C30	11
0.3	0.3	-	-	-	① C30/C60	11
0.3	0.3	0.3	0.3	0.3	① C30/C50	11
0.3	0.3	0.3	0.3	-	① -/C10	11
0.3	0.3	0.3	0.3	0.3	①	11
0.3	0.3	0.3	0.3	0.3	①	11

① Tap Connection

\*Stated accuracies are applicable for 60 Hz.

# 600 V Current Transformers

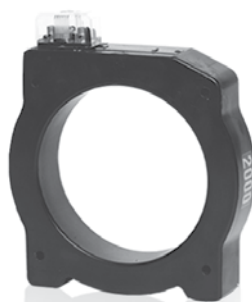
## TYPE CLE

600 Volts  
Indoor  
10 kV BIL  
60 Hertz

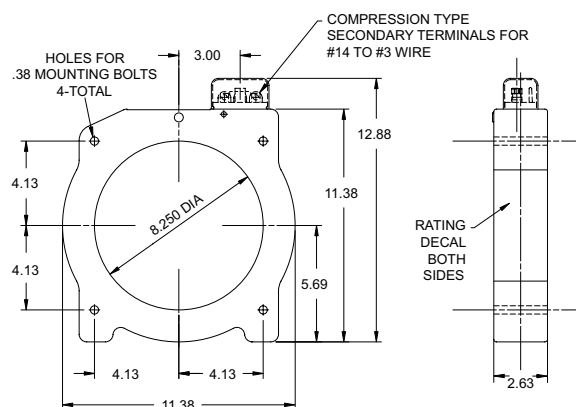
Mechanical Rating:  
180 x Normal



UL Recognized Component



1VAP428261-DB



Primary Amps	Style Number	Rating Factor	
		30°C	55°C
2000	7524A63G01	2.0	1.5
3000	7524A63G02	2.0	1.5
4000	7524A63G03	1.5	1.2
5000	7524A63G04	1.33	1.0
6000	7524A63G05	1.0	0.75
1000/2000	7524A63G06	3.0/2.0	2.2/1.5
1500/3000	7524A63G07	3.0/2.0	2.2/1.5
2000/4000	7524A63G08	2.0/1.5	1.5/1.2
2500/5000	7524A63G09	2.0/1.33	1.5/1.0
3000/6000	7524A63G10	1.33/1.0	1.0/0.75

B-0.1	IEEE Metering Accuracy*				B-1.8	Relay Accuracy*	Weight (lb.)
	B-0.2	B-0.5	B-0.9	B-1.8			
0.3	0.3	0.3	0.3	-	C50	16	
0.3	0.3	0.3	0.3	0.3	C100	16	
0.3	0.3	0.3	0.3	0.3	C100	16	
0.3	0.3	0.3	0.3	0.3	C100	16	
0.3	0.3	0.3	-	-	① C30/C50	16	
0.3	0.3	0.3	0.3	-	① C50/C100	16	
0.3	0.3	0.3	0.3	0.3	① C50/C100	16	
0.3	0.3	0.3	0.3	0.3	① C100/C200	16	
0.3	0.3	0.3	0.3	0.3	①	16	
0.3	0.3	0.3	0.3	0.3	-	16	

① Tap Connection X2-X3

\*Stated accuracies are applicable for 60 Hz.

# 600 V Current Transformers

## TYPE RLC

1VAP428281-DB

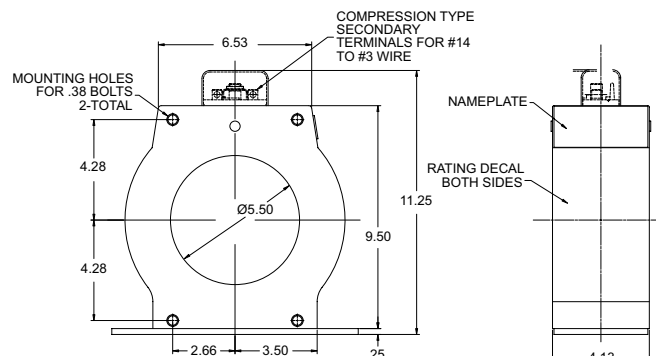
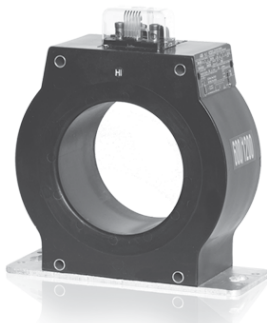
600 Volts  
Indoor/Outdoor  
10 kV BIL  
60 Hertz

Mechanical Rating:  
180 x Normal

Contact factory for bar designs.



UL Recognized Component



### Standard RLC (Indoor)

Primary Amps	Style Number	Rating Factor	
		30°C	55°C
750	7524A52G01	2.0	1.5
800	7524A52G02	2.0	1.5
900	7524A52G03	2.0	1.5
1000	7524A52G04	2.0	1.5
1200	7524A52G05	2.0	1.5
1500	7524A52G06	2.0	1.5
2000	7524A52G07	1.5	1.2
3000	7524A52G08	1.33	1.0
4000	7524A52G09	1.33	1.0
600/1200	7524A52G10	2.0/2.0	1.5/1.5
800/1600	7524A52G11	2.0/1.5	1.5/1.2
1000/2000	7524A52G12	2.0/1.5	1.5/1.2
1500/3000	7524A52G13	1.5/1.33	1.2/1.0
2000/4000	7524A52G14	1.5/1.33	1.2/1.0

### High Relay Accuracy RLC

Primary Amps	Style Number	Rating Factor	
		30°C	55°C
1000	9625A21G01	2.0	1.5
2000	9625A21G02	1.5	1.2
3000	9625A21G03	1.5	1.2
4000	9625A21G04	1.5	1.2
1000/2000	9625A21G05	2.0/1.5	1.5/1.2
1500/3000	9625A21G06	1.5/1.33	1.2/1.0
2000/4000	9625A21G07	1.5/1.33	1.2/1.0

B-0.1	IEEE Metering Accuracy*					Relay Accuracy*	Weight (lb.)
	B-0.2	B-0.5	B-0.9	B-1.8			
0.3	0.3	0.3	-	-		C100	21
0.3	0.3	0.3	0.3	-		C100	21
0.3	0.3	0.3	0.3	-		C100	21
0.3	0.3	0.3	0.3	0.3		C200	21
0.3	0.3	0.3	0.3	0.3		C200	21
0.3	0.3	0.3	0.3	0.3		C200	21
0.3	0.3	0.3	0.3	0.3		C200	21
0.3	0.3	0.3	-	-	①	C100/C200	21
0.3	0.3	0.3	0.3	0.3	①	C100/C200	21
0.3	0.3	0.3	0.3	-		C100/C200	21
0.3	0.3	0.3	0.3	0.3	①	C100/C200	21
0.3	0.3	0.3	0.3	0.3	①	C100/C200	21
0.3	0.3	0.3	0.3	0.3	①	C100/C200	21

B-0.1	IEEE Metering Accuracy					Relay Accuracy	Weight (lb.)
	B-0.2	B-0.5	B-0.9	B-1.8			
0.3	0.3	0.3	0.3	0.3		C200	29
0.3	0.3	0.3	0.3	0.3		C400	29
0.3	0.3	0.3	0.3	0.3		C400	29
0.3	0.3	0.3	0.3	0.3		C400	29
0.3	0.3	0.3	0.3	-	①	C200/C400	29
0.3	0.3	0.3	0.3	0.3	①	C200/C400	29
0.3	0.3	0.3	0.3	0.3	①	C200/C400	29
0.3	0.3	0.3	0.3	0.3	①	C200/C400	29

① Tap Connection X2-X3

\*Stated accuracies are applicable for 60 Hz.

RLC continued on next page

# 600 V Current Transformers

## TYPE RLC (cont'd)

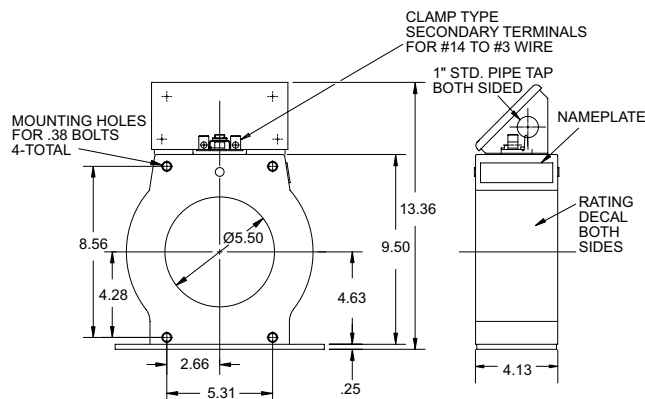
1VAP428281-DB

600 Volts  
Indoor/Outdoor  
10 kV BIL  
60 Hertz

Mechanical Rating:  
180 x Normal



UL Recognized Component



### Standard RLC (Outdoor)

Primary Amps	Style Number	Rating Factor	
		30°C	55°C
750	7524A54G01	2.0	1.5
800	7524A54G02	2.0	1.5
900	7524A54G03	2.0	1.5
1000	7524A54G04	2.0	1.5
1200	7524A54G05	2.0	1.5
1500	7524A54G06	2.0	1.5
2000	7524A54G07	1.5	1.2
3000	7524A54G08	1.33	1.0
4000	7524A54G09	1.33	1.0
600/1200	7524A54G10	2.0/2.0	1.5/1.5
800/1600	7524A54G11	2.0/1.5	1.5/1.2
1000/2000	7524A54G12	2.0/1.5	1.5/1.2
1500/3000	7524A54G13	1.5/1.33	1.2/1.0
2000/4000	7524A54G14	1.5/1.33	1.2/1.0

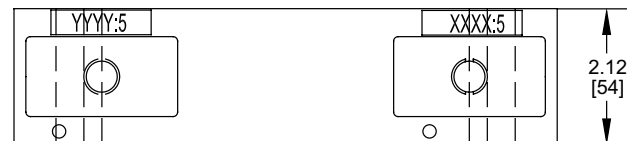
B-0.1	IEEE Metering Accuracy*					Relay Accuracy*	Weight (lb.)
	B-0.2	B-0.5	B-0.9	B-1.8			
0.3	0.3	0.3	-	-		C100	22
0.3	0.3	0.3	0.3	-		C100	22
0.3	0.3	0.3	0.3	-		C100	22
0.3	0.3	0.3	0.3	-		C100	22
0.3	0.3	0.3	0.3	0.3		C200	22
0.3	0.3	0.3	0.3	0.3		C200	22
0.3	0.3	0.3	0.3	0.3		C200	22
0.3	0.3	0.3	0.3	0.3		C200	22
0.3	0.3	0.3	-	-		C100/C200	22
0.3	0.3	0.3	0.3	0.3 <sup>①</sup>		C100/C200	22
0.3	0.3	0.3	-	-		C100/C200	22
0.3	0.3	0.3	0.3	0.3 <sup>①</sup>		C100/C200	22
0.3	0.3	0.3	0.3	-		C100/C200	22
0.3	0.3	0.3	0.3	0.3 <sup>①</sup>		C100/C200	22
0.3	0.3	0.3	0.3	0.3		C100/C200	22
0.3	0.3	0.3	0.3	0.3 <sup>①</sup>		C100/C200	22
0.3	0.3	0.3	0.3	0.3		C100/C200	22
0.3	0.3	0.3	0.3	0.3 <sup>①</sup>		C100/C200	22

① Tap Connection X2-X3

\*Stated accuracies are applicable for 60 Hz.

## TYPE DEH-705

600 Volts  
 Indoor/outdoor  
 10 kV BIL  
 60 Hertz  
 Thermal rise:  
 55°C @ 30°C ambient



Primary Amps	Style Number	Accuracy/Burden	
		Metering*	Relay
200	A0302S08-570	0.6B-0.1	C5
300	A0303S08-570	0.3B-0.1	C10
400	A0304S08-570	0.3B-0.2	C15
500	A0305S08-570	0.3B-0.5	C20
600	A0306S08-570	0.3B-0.5	C25
800	A0308S08-570	0.3B-0.9	C30
1000	A0310S08-570	0.3B-0.9	C30
1200	A0312S08-570	0.3B-0.9	C40
1500	A0315S08-570	0.3B-1.8	C30
2000	A0320S08-570	0.3B-1.8	C40
2500	A0325S08-570	0.3B-1.8	C30
3000	A0330S08-570	0.3B-1.8	C40
4000	A0340S08-570	0.3B-1.8	C50

Window Diam. (in.)	Rating Factor @ 30°C	Height (in.)	Width (in.)	Length (in.)	Weight (lbs.)
5.75	2.0	10.25	8.50	2.12	14-15
5.75	2.0	10.25	8.50	2.12	14-15
5.75	2.0	10.25	8.50	2.12	14-15
5.75	2.0	10.25	8.50	2.12	14-15
5.75	2.0	10.25	8.50	2.12	14-15
5.75	2.0	10.25	8.50	2.12	14-15
5.75	2.0	10.25	8.50	2.12	14-15
5.75	2.0	10.25	8.50	2.12	14-15
5.75	2.0	10.25	8.50	2.12	14-15
5.75	1.5	10.25	8.50	2.12	14-15
5.75	1.5	10.25	8.50	2.12	14-15
5.75	1.0	10.25	8.50	2.12	14-15

Available in dual and multi-ratio designs

One second thermal/mechanical ratings: 80 x full winding  $I_{nom}$  / unlimited mechanical.

Units available with mounting feet. Change "08" of style number to "18"

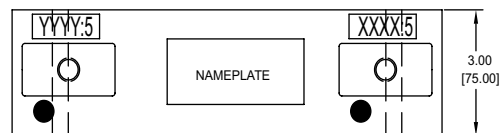
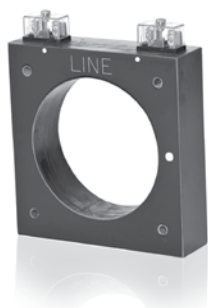
\* Units can be certified for revenue metering. Change "570" of style number to "590"

Higher accuracies available in some ratings. Contact the factory.



## TYPE CEH-636

600 Volts  
 Indoor/outdoor  
 10 kV BIL  
 60 Hertz  
 Thermal rise:  
 55°C @ 30°C ambient



Primary Amps	Style Number	Accuracy/Burden	
		Metering*	Relay
100	A0101S08-570	±10% - 1VA	-
200	A0102S08-570	1.2B-0.1	-
300	A0103S08-570	0.6B-0.1	C5
400	A0104S08-570	0.3B-0.1	C10
500	A0105S08-570	0.3B-0.2	C15
600	A0106S08-570	0.3B-0.2	C15
800	A0108S08-570	0.3B-0.5	C20
1000	A0110S08-570	0.3B-0.5	C30
1200	A0112S08-570	0.3B-0.9	C40
1500	A0115S08-570	0.3B-0.9	C50
1600	A0116S08-570	0.3B-0.9	C50
2000	A0120S08-570	0.3B-1.8	C35
2500	A0125S08-570	0.3B-1.8	C40
3000	A0130S08-570	0.3B-1.8	C50
4000	A0140S08-570	0.3B-1.8	C50
5000	A0150S08-570	0.3B-1.8	-
6000	A0160S08-570	0.3B-1.8	-

Window Diam. (in.)	Rating Factor @ 30°C	Height (in.)	Width (in.)	Length (in.)	Weight (lbs.)
8.13	2.0	13.0	11.0	3.0	18-20
8.13	2.0	13.0	11.0	3.0	18-20
8.13	2.0	13.0	11.0	3.0	18-20
8.13	2.0	13.0	11.0	3.0	18-20
8.13	2.0	13.0	11.0	3.0	18-20
8.13	2.0	13.0	11.0	3.0	18-20
8.13	2.0	13.0	11.0	3.0	18-20
8.13	2.0	13.0	11.0	3.0	18-20
8.13	2.0	13.0	11.0	3.0	18-20
8.13	2.0	13.0	11.0	3.0	18-20
8.13	2.0	13.0	11.0	3.0	18-20
8.13	1.5	13.0	11.0	3.0	18-20
8.13	1.33	13.0	11.0	3.0	18-20
8.13	1.0	13.0	11.0	3.0	18-20
8.13	1.0	13.0	11.0	3.0	18-20
8.13	1.0	13.0	11.0	3.0	18-20

Available in dual and multi-ratio designs

One second thermal/mechanical ratings: 60 x full winding  $I_{nom}$  / unlimited mechanical.

Units available with mounting feet. Change "08" of style number to "18"

\* Units can be certified for revenue metering. Change "570" of style number to "590"

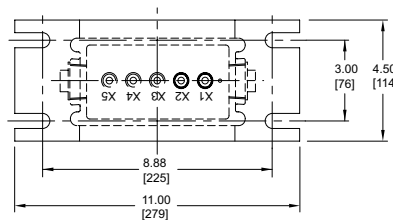
## TYPE SCT-983

600 Volts  
Indoor/outdoor  
10 kV BIL  
60 Hertz

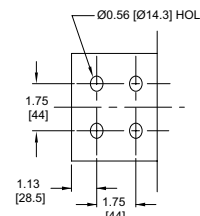


### Window diameter options:

SCT-983: 5.0"      SCT-983C: 4.0"  
SCT-983A: 6.0"    SCT-983D: 2.0"  
SCT-983B: 7.0"    SCT-983E: 3.0"



Top view into terminal box and mounting footprint



Bar detail

Primary Amps	Style Number	Accuracy/Burden	
		Metering	Relay
50	A49S5005010	±5% - 2.5VA	C10
100	A49S1015029	1.2B-0.1	C20
200	A49S2015049	0.6B-0.1	C40
300	A49S3015069	0.3B-0.1	C60
400	A49S4015089	0.3B-0.2	C75
500	A49S5015109	0.3B-0.5	C100
600	A49S6015109	0.3B-0.9	C100
800	A49S8015159	0.3B-1.8	C150
1000	A49S1025209	0.3B-1.8	C200
1200	A49S1225259	0.3B-1.8	C250
1500	A49S1525259	0.3B-1.8	C250
2000	A49S2025409	0.3B-1.8	C400
2500	A49S2525409	0.3B-1.8	C400
3000	<b>A49S3025409</b>	0.3B-1.8	C400
4000	A49S4025409	0.3B-1.8	C400
5000	A49S5025409	0.3B-1.8	C400
6000	A49S6025409	0.3B-1.8	C400

Window Diam. (in.)	Rating Factor @ 30°C	Height (in.)	Width (in.)	Length (in.)	Weight (lbs.)
5.0	4.0	13.5	9.38	4.63	45-50
5.0	4.0	13.5	9.38	4.63	45-50
5.0	4.0	13.5	9.38	4.63	45-50
5.0	4.0	13.5	9.38	4.63	45-50
5.0	4.0	13.5	9.38	4.63	45-50
5.0	4.0	13.5	9.38	4.63	45-50
5.0	4.0	13.5	9.38	4.63	45-50
5.0	4.0	13.5	9.38	4.63	45-50
5.0	3.0	13.5	9.38	4.63	45-50
5.0	2.0	13.5	9.38	4.63	45-50
5.0	2.0	13.5	9.38	4.63	45-50
5.0	1.5	13.5	9.38	4.63	45-50
5.0	1.5	13.5	9.38	4.63	45-50
5.0	1.0	13.5	9.38	4.63	45-50
5.0	1.0	13.5	9.38	4.63	45-50
5.0	1.0	13.5	9.38	4.63	45-50
5.0	1.0	13.5	9.38	4.63	45-50
5.0	1.0	13.5	9.38	4.63	45-50

Available in dual and multi-ratio designs.

IC Approval (AE-1470) is noted by bold catalog number.

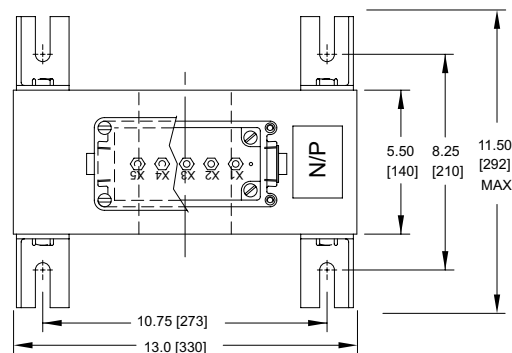
One second thermal/mechanical ratings: 80 x full winding  $I_{nom}$  / unlimited mechanical.

Available with a secondary terminal box for outdoor use. Add a "T" as the last digit of style number.

## TYPE RMB(X)-644

600 Volts  
Indoor/outdoor  
10 kV BIL  
60 Hertz

Thermal rise:  
55°C @ 30°C ambient



### TYPE RMB-644

Primary Amps	Style Number	IEEE Metering Accuracy				
		B-0.1	B-0.2	B-0.5	B-0.9	B-1.8
200	A120200S1	-	0.3	-	-	-
300	A120300S1	-	-	0.3	-	-
400	A120400S1	-	-	-	0.3	-
500	A120500S1	-	-	-	-	0.3
600	A120600S1	-	-	-	-	0.3
800	A120800S1	-	-	-	-	0.3
1000	A121000S1	-	-	-	-	0.3
1200	A121200S1	-	-	-	-	0.3
1500	A121500S1	-	-	-	-	0.3
2000	A122000S1	-	-	-	-	0.3
2500	A122500S1	-	-	-	-	0.3
3000	A123000S1	-	-	-	-	0.3
4000	A124000S1	-	-	-	-	0.3
600MR	A120600M1	-	-	-	-	0.3
1200MR	A121200M1	-	-	-	-	0.3
2000MR	A122000M1	-	-	-	-	0.3
3000MR	A123000M1	-	-	-	-	0.3
4000MR	A124000M1	-	-	-	-	0.3

### TYPE RMBX-644 High accuracy

Primary Amps	Style Number	Accuracy Range	
		0.15/0.3 @ Burden	0.15/0.3 Accuracy Range
400	A120400X1	B-0.5/B-0.9	400/4 to 1200A
500	A120500X1	B-0.5/B-1.8	500/5 to 2000A
600	A120600X1	B-0.9/B-1.8	600/6 to 2400A
800	A120800X1	B-0.9/B-1.8	800/8 to 3200A
1000	A121000X1	B-1.8	10 to 4000A
1200	A121200X1	B-1.8	12 to 4800A
1500	A121500X1	B-1.8	15 to 4500A
2000	A122000X1	B-1.8	20 to 4000A

Window Diam.* (in.)	Relay Accuracy	Rating Factor @ 30°C	Height (in.)	Width (in.)	Length (in.)	Weight (lbs.)
3.5	C100	3.0	20.3	13.0	11.50	100
3.5	C200	3.0	20.3	13.0	11.50	100
3.5	C250	3.0	20.3	13.0	11.50	100
3.5	C300	3.0	20.3	13.0	11.50	100
3.5	C400	3.0	20.3	13.0	11.50	100
3.5	C400	2.0	20.3	13.0	11.50	100
3.5	C400	2.0	20.3	13.0	11.50	100
3.5	C400	2.0	20.3	13.0	11.50	100
3.5	C400	2.0	20.3	13.0	11.50	100
3.5	C400	2.0	20.3	13.0	11.50	100
3.5	C400	2.0	20.3	13.0	11.50	100
3.5	C400	2.0	20.3	13.0	11.50	100
3.5	C400	2.0	20.3	13.0	11.50	100
3.5	C400	2.0	20.3	13.0	11.50	100
3.5	C400	2.0	20.3	13.0	11.50	100
3.5	C400	2.0	20.3	13.0	11.50	100
3.5	C400	2.0	20.3	13.0	11.50	100
3.5	C400	2.0	20.3	13.0	11.50	100
3.5	C400	2.0	20.3	13.0	11.50	100

Window Diam.* (in.)	Rating Factor @ 30°C	Height (in.)	Width (in.)	Length (in.)	Weight (lbs.)
3.5	3.0	20.3	13.0	11.50	100
3.5	4.0	20.3	13.0	11.50	100
3.5	4.0	20.3	13.0	11.50	100
3.5	4.0	20.3	13.0	11.50	100
3.5	4.0	20.3	13.0	11.50	100
3.5	4.0	20.3	13.0	11.50	100
3.5	3.0	20.3	13.0	11.50	100
3.5	2.0	20.3	13.0	11.50	100

Available in dual-ratio designs (ratings same as single ratio above, change catalog digit "S" to "D")

Units can also be supplied with C800 ratings (add "-512" to the end of the style number)

One second thermal/mechanical ratings: 80 x full winding I<sub>nom</sub> / unlimited mechanical.

\* Additional window sizes available.

## TYPE DSM

1VAP428621-DB

600 Volts  
Indoor  
10 kV BIL  
60 Hertz

Mechanical Rating:  
180 x Normal



Dimensioned for bus structure mounting on  
Westinghouse DS Circuit Breakers



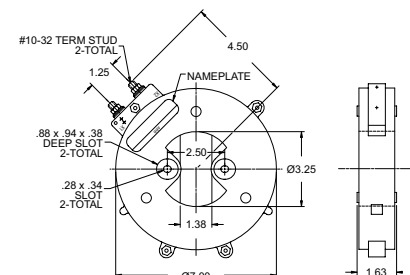
UL Recognized Component

### Type DSM-16 (800 - 2000A DS Breaker)

Equivalent to GE-ITI 350

Primary Amps	Style Number	Rating Factor		IEEE Metering Accuracy				
		30°C	55°C	B-0.1	B-0.2	B-0.5	B-0.9	B-1.8
100	449D701G01	2.0	1.5	1.2	-	-	-	-
150	449D701G02	2.0	1.5	1.2	-	-	-	-
200	449D701G03	2.0	1.5	1.2	1.2	-	-	-
300	449D701G04	2.0	1.5	0.6	0.6	1.2	2.4	-
400	449D701G05	2.0	1.5	0.3	0.6	1.2	1.2	-
600	449D701G06	1.5	1.0	0.3	0.3	0.6	1.2	1.2
800	449D701G07	1.5	1.0	0.3	0.3	0.3	0.6	1.2
1200	449D701G08	1.33	1.0	0.3	0.3	0.3	0.3	0.6
1500	449D701G18	1.33	1.0	0.3	0.3	0.3	0.3	0.6
1600	449D701G09	1.33	1.0	0.3	0.3	0.3	0.3	0.3
2000	449D701G10	1.33	1.0	0.3	0.3	0.3	0.3	0.3

Thermal Rating (x Normal, 1 sec)	Weight (lb.)
100	5
100	5
100	5
100	5
100	5
80	5
80	5
60	5
60	5
60	5
60	5

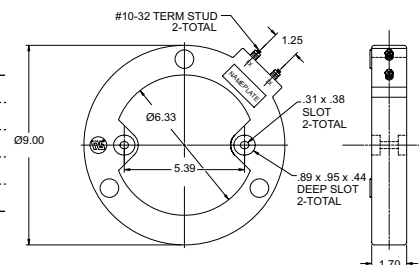


### Type DSM-32 (3200A DS Breaker)

Equivalent to GE-ITI 360

Primary Amps	Style Number	Rating Factor		IEEE Metering Accuracy				
		30°C	55°C	B-0.1	B-0.2	B-0.5	B-0.9	B-1.8
2400	449D701G11	1.33	1.0	0.3	0.3	0.3	0.3	0.6
2500	449D701G14	1.33	1.0	0.3	0.3	0.3	0.3	0.6
3000	449D701G15	1.33	1.0	0.3	0.3	0.3	0.3	0.3
3200	449D701G12	1.33	1.0	0.3	0.3	0.3	0.3	0.3
4000	449D701G13	1.33	1.0	0.3	0.3	0.3	0.3	0.3

60	5.5
60	5.5
60	5.5
60	5.5
60	5.5



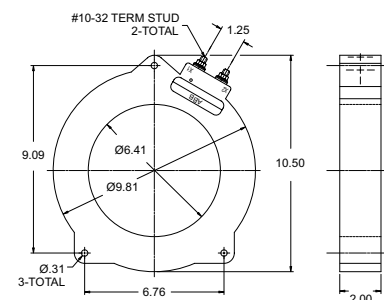
Optional accessory: Mounting Feet Style 809A495H01

### Type DSM-40 (4000A DS Breaker)

Equivalent to GE-ITI 365

Primary Amps	Style Number	Rating Factor		IEEE Metering Accuracy				
		30°C	55°C	B-0.1	B-0.2	B-0.5	B-0.9	B-1.8
4000	151D026G01	1.33	1.0	0.3	0.3	0.3	0.3	0.3
5000	151D026G02	1.33	1.0	0.3	0.3	0.3	0.3	0.3
6000	151D026G03	1.33	1.0	0.3	0.3	0.3	0.3	0.3

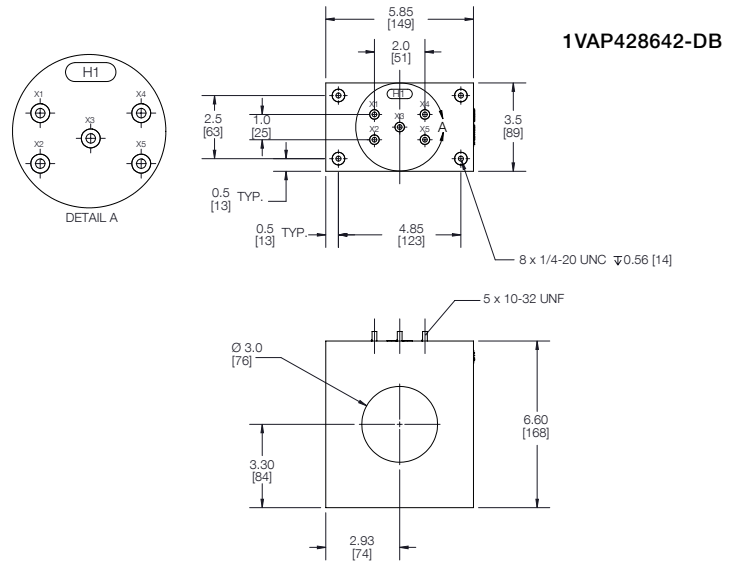
60	7
60	7
60	7



# Low Voltage Switchgear CTs

## TYPE SCH-3U

600 Volts  
 Indoor  
 10 kV BIL  
 60 Hertz  
 Mechanical Rating:  
 180 x Normal



Type SCH-3U  
 (3.0" window)

Primary Amps	Style Number	Rating Factor	
		30°C	55°C
50	923A540G01	2.0	1.5
75	923A540G02	2.0	1.5
100	923A540G03	2.0	1.5
150	923A540G04	2.0	1.5
200	923A540G05	2.0	1.5
300	923A540G06	2.0	1.5
400	923A540G07	2.0	1.5
600 MR	923A540G08	2.0	1.5
800 MR	923A540G09	1.5	1.0
1200 MR	923A540G10	1.33	1.0
1500 MR	923A540G11	1.25	1.0
2000 MR	923A540G12	1.25	1.0

B-0.1	IEEE Metering Accuracy					Relay Accuracy	Weight (lb.)
	B-0.2	B-0.5	B-0.9	B-1.8			
4.8	-	-	-	-	C5	12	
2.4	2.4	4.8	-	-	C10	12	
1.2	2.4	4.8	4.8	-	C10	12	
0.6	1.2	2.4	2.4	4.8	C20	12	
0.6	0.6	1.2	2.4	2.4	C20	12	
0.3	0.3	0.6	1.2	1.2	C40	12	
0.3	0.3	0.3	0.6	1.2	C50	12	
0.3	0.3	0.3	0.3	0.6	C80	12	
0.3	0.3	0.3	0.3	0.3	C100	12	
0.3	0.3	0.3	0.3	0.3	C100	12	
0.3	0.3	0.3	0.3	0.3	C100	12	

# Low Voltage Switchgear CTs

## TYPE SCH

600 Volts  
Indoor  
10 kV BIL  
60 Hertz  
Mechanical Rating:  
180 x Normal

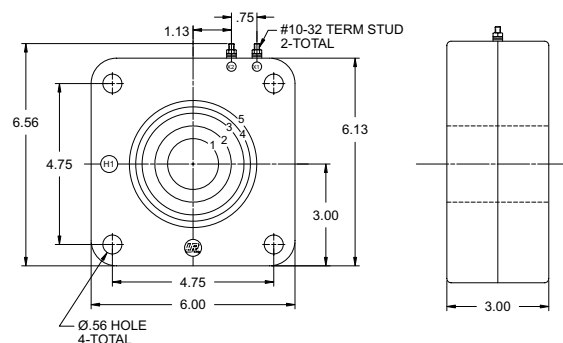


UL Recognized Component



Optional accessory: Mounting Feet Style 7528A98G02

1VAP428641-DB



### Type SCH-1 (1.5" window)

Equivalent to GE-ITI 296

Primary Amps	Style Number	Rating Factor	
		30°C	55°C
50	7525A31G01	2.0	1.5
75	7525A31G02	2.0	1.5
100	7525A31G03	2.0	1.5
150	7525A31G04	2.0	1.5
200	7525A31G05	2.0	1.5
250	7525A31G06	1.5	1.0
300	7525A31G07	1.5	1.0
400	7525A31G08	1.5	1.0

### Type SCH-2 (2.25" window)

Equivalent to GE-ITI 297

75	7525A32G02	2.0	1.5
100	7525A32G03	2.0	1.5
150	7525A32G04	2.0	1.5
200	7525A32G05	2.0	1.5
250	7525A32G06	2.0	1.5
300	7525A32G07	2.0	1.5
400	7525A32G08	1.5	1.0
500	7525A32G09	1.5	1.0
600	7525A32G10	1.5	1.0

### Type SCH-3 (3.0" window)

Equivalent to GE-ITI 298

100	7525A33G03	2.0	1.5
150	7525A33G04	2.0	1.5
200	7525A33G05	2.0	1.5
250	7525A33G06	2.0	1.5
300	7525A33G07	2.0	1.5
400	7525A33G08	2.0	1.5
500	7525A33G09	1.5	1.0
600	7525A33G10	1.5	1.0
800	7525A33G12	1.33	1.0

### Type SCH-4 (3.375" window)

Equivalent to GE-ITI 299

100	7525A34G03	2.0	1.5
150	7525A34G04	2.0	1.5
200	7525A34G05	2.0	1.5
250	7525A34G06	2.0	1.5
300	7525A34G07	2.0	1.5
400	7525A34G08	2.0	1.5
500	7525A34G09	1.5	1.0
600	7525A34G10	1.5	1.0
800	7525A34G12	1.33	1.0

B-0.1	IEEE Metering Accuracy					Relay Accuracy	Thermal Rating (x normal, 1 sec)	Weight (lb.)
	B-0.2	B-0.5	B-0.9	B-1.8				
2.4	2.4	4.8	-	-	C10	100	15	
1.2	1.2	2.4	4.8	-	C10	100	15	
0.6	1.2	2.4	2.4	4.8	C20	100	15	
0.3	0.6	1.2	1.2	2.4	C20	100	15	
0.3	0.3	0.6	1.2	1.2	C20	100	15	
0.3	0.3	0.3	0.6	1.2	C50	80	15	
0.3	0.3	0.3	0.3	0.6	C50	80	15	
0.3	0.3	0.3	0.3	0.3	C100	80	15	

1.2	2.4	4.8	-	-	C10	100	13
0.6	1.2	2.4	4.8	-	C10	100	13
0.3	0.6	1.2	2.4	2.4	C20	100	13
0.3	0.3	0.6	1.2	2.4	C20	100	13
0.3	0.3	0.3	0.6	1.2	C20	100	13
0.3	0.3	0.3	0.6	1.2	C50	100	13
0.3	0.3	0.3	0.3	0.6	C50	80	13
0.3	0.3	0.3	0.3	0.3	C50	80	13
0.3	0.3	0.3	0.3	0.3	C100	80	13

0.6	1.2	2.4	-	-	C10	100	11
0.6	0.6	1.2	2.4	-	C10	100	11
0.3	0.6	0.6	1.2	2.4	C20	100	11
0.3	0.3	0.6	1.2	1.2	C20	100	11
0.3	0.3	0.6	0.6	1.2	C20	100	11
0.3	0.3	0.3	0.6	0.6	C50	100	11
0.3	0.3	0.3	0.3	0.6	C50	80	11
0.3	0.3	0.3	0.3	0.3	C50	80	11
0.3	0.3	0.3	0.3	0.3	C100	60	11

1.2	1.2	2.4	-	-	C5	100	9
0.6	0.6	1.2	2.4	-	C10	100	9
0.6	0.6	1.2	2.4	-	C10	100	9
0.3	0.3	0.6	1.2	2.4	C20	100	9
0.3	0.3	0.6	1.2	2.4	C20	100	9
0.3	0.3	0.3	0.6	0.6	C20	100	9
0.3	0.3	0.3	0.3	0.6	C20	80	9
0.3	0.3	0.3	0.3	0.6	C50	80	9
0.3	0.3	0.3	0.3	0.3	C50	60	9

SCH continued on next page

# Low Voltage Switchgear CTs

## TYPE SCH (cont'd)

1VAP428641-DB

	Primary Amps	Style Number	Rating Factor	
			30°C	55°C
Type SCH-5 (3.75" window) Equivalent to GE-ITI 300	150	7525A35G04	2.0	1.5
	200	7525A35G05	2.0	1.5
	250	7525A35G06	2.0	1.5
	300	7525A35G07	2.0	1.5
	400	7525A35G08	2.0	1.5
	500	7525A35G09	1.5	1.0
	600	7525A35G10	1.5	1.0
	800	7525A35G12	1.33	1.0

B-0.1	IEEE Metering Accuracy				Relay Accuracy	Thermal Rating (x normal, 1 sec)	Weight (lb.)
	B-0.2	B-0.5	B-0.9	B-1.8			
0.6	1.2	2.4	-	-	C10	100	8.5
0.6	0.6	1.2	2.4	-	C10	100	8.5
0.3	0.6	1.2	1.2	2.4	C10	100	8.5
0.3	0.3	0.6	1.2	2.4	C10	100	8.5
0.3	0.3	0.3	0.6	1.2	C20	100	8.5
0.3	0.3	0.3	0.6	1.2	C20	80	8.5
0.3	0.3	0.3	0.3	0.6	C20	80	8.5
0.3	0.3	0.3	0.3	0.3	C50	60	8.5

## TYPE SCG

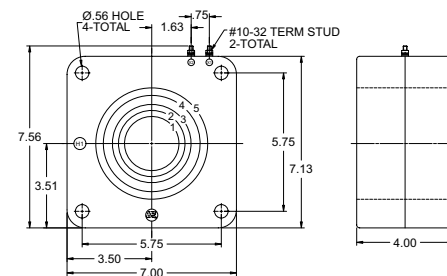
1VAP428651-DB

600 Volts  
Indoor  
10 kV BIL  
60 Hertz

Mechanical Rating:  
180 x Normal



UL Recognized Component



Optional accessory: Mounting Feet Style 9628A05G81

	Primary Amps	Style Number	Rating Factor	
			30°C	55°C
Type SCG-1 (2.25" window) Equivalent to GE-ITI 112	50	7525A26G01	2.0	1.5
	75	7525A26G02	2.0	1.5
	100	7525A26G03	2.0	1.5
	150	7525A26G04	2.0	1.5
	200	7525A26G05	2.0	1.5
	250	7525A26G06	2.0	1.5
	300	7525A26G07	2.0	1.5
	400	7525A26G08	2.0	1.5
	500	7525A26G09	1.5	1.0
	600	7525A26G10	1.5	1.0

B-0.1	IEEE Metering Accuracy				Relay Accuracy	Thermal Rating (x normal, 1 sec)	Weight (lb.)
	B-0.2	B-0.5	B-0.9	B-1.8			
2.4	2.4	4.8	-	-	C10	100	27
1.2	1.2	2.4	-	-	C20	100	27
0.6	1.2	2.4	2.4	4.8	C20	100	27
0.3	0.6	1.2	1.2	2.4	C50	100	27
0.3	0.3	0.6	0.6	1.2	C50	100	27
0.3	0.3	0.3	0.6	1.2	C50	100	27
0.3	0.3	0.3	0.3	0.6	C100	100	27
0.3	0.3	0.3	0.3	0.3	C100	100	27
0.3	0.3	0.3	0.3	0.3	C100	80	27
0.3	0.3	0.3	0.3	0.3	C200	80	27

	Primary Amps	Style Number	Rating Factor	
			30°C	55°C
Type SCG-2 (2.75" window) Equivalent to GE-ITI 113	50	7525A27G01	2.0	1.5
	75	7525A27G02	2.0	1.5
	100	7525A27G03	2.0	1.5
	150	7525A27G04	2.0	1.5
	200	7525A27G05	2.0	1.5
	250	7525A27G06	2.0	1.5
	300	7525A27G07	2.0	1.5
	400	7525A27G08	1.5	1.0
	500	7525A27G09	1.5	1.0
	600	7525A27G10	1.5	1.0
	800	7525A27G12	1.33	1.0
	1000	7525A27G13	1.33	1.0
	1200	7525A27G14	1.33	1.0
	1500	7525A27G15	1.33	1.0

B-0.1	IEEE Metering Accuracy				Relay Accuracy	Thermal Rating (x normal, 1 sec)	Weight (lb.)
	B-0.2	B-0.5	B-0.9	B-1.8			
2.4	4.8	-	-	-	C10	100	23
1.2	1.2	4.8	4.8	-	C10	100	23
0.6	1.2	2.4	2.4	4.8	C20	100	23
0.3	0.6	1.2	1.2	2.4	C20	100	23
0.3	0.3	0.6	1.2	1.2	C50	100	23
0.3	0.3	0.6	0.6	1.2	C50	100	23
0.3	0.3	0.3	0.6	0.6	C50	100	23
0.3	0.3	0.3	0.3	0.6	C100	80	23
0.3	0.3	0.3	0.3	0.3	C100	80	23
0.3	0.3	0.3	0.3	0.3	C100	80	23
0.3	0.3	0.3	0.3	0.3	C200	60	23
0.3	0.3	0.3	0.3	0.3	C200	60	23
0.3	0.3	0.3	0.3	0.3	C200	60	23
0.3	0.3	0.3	0.3	0.3	C200	60	23

SCG continued on next page

TYPE SCG (cont'd)

1VAP428651-DB

	Primary Amps	Style Number	Rating Factor	
			30°C	55°C
Type SCG-3 (3.25" window) Equivalent to GE-ITI 114	50	7525A28G01	2.0	1.5
	75	7525A28G02	2.0	1.5
	100	7525A28G03	2.0	1.5
	150	7525A28G04	2.0	1.5
	200	7525A28G05	2.0	1.5
	250	7525A28G06	2.0	1.5
	300	7525A28G07	2.0	1.5
	400	7525A28G08	2.0	1.5
	500	7525A28G09	1.5	1.0
	600	7525A28G10	1.5	1.0
	800	7525A28G12	1.5	1.0
	1000	7525A28G13	1.33	1.0
	1200	7525A28G14	1.33	1.0
	1500	7525A28G15	1.33	1.0

Type SCG-4 (4.0" window) Equivalent to GE-ITI 115	50	7525A29G01	2.0	1.5
	75	7525A29G02	2.0	1.5
	100	7525A29G03	2.0	1.5
	150	7525A29G04	2.0	1.5
	200	7525A29G05	2.0	1.5
	250	7525A29G06	2.0	1.5
	300	7525A29G07	2.0	1.5
	400	7525A29G08	2.0	1.5
	500	7525A29G09	1.5	1.0
	600	7525A29G10	1.5	1.0
	800	7525A29G12	1.5	1.0
	1000	7525A29G13	1.33	1.0
	1200	7525A29G14	1.33	1.0
	1500	7525A29G15	1.33	1.0
	2000	7525A29G17	1.33	1.0
2500	7525A29G18	1.33	1.0	
3000	7525A29G19	1.33	1.0	
4000	7525A29G20	1.33	1.0	

Type SCG-5 (4.625" window) Equivalent to GE-ITI 117	50	7525A30G01	-	-
	75	7525A30G02	2.0	1.5
	100	7525A30G03	2.0	1.5
	150	7525A30G04	2.0	1.5
	200	7525A30G05	2.0	1.5
	250	7525A30G06	2.0	1.5
	300	7525A30G07	2.0	1.5
	400	7525A30G08	2.0	1.5
	500	7525A30G09	2.0	1.5
	600	7525A30G10	1.5	1.0
	800	7525A30G12	1.33	1.0
	1000	7525A30G13	1.33	1.0
	1200	7525A30G14	1.33	1.0
	1500	7525A30G15	1.33	1.0
	2000	7525A30G17	1.33	1.0
2500	7525A30G18	1.33	1.0	
3000	7525A30G19	1.33	1.0	
4000	7525A30G20	1.33	1.0	

	IEEE Metering Accuracy					Relay Accuracy	Thermal Rating (x normal, 1 sec)	Weight (lb.)
	B-0.1	B-0.2	B-0.5	B-0.9	B-1.8			
2.4	2.4	-	-	-	-	C10	100	21
1.2	2.4	4.8	-	-	-	C10	100	21
1.2	1.2	2.4	4.8	4.8	-	C20	100	21
0.6	0.6	1.2	2.4	2.4	-	C20	100	21
0.3	0.6	0.6	1.2	2.4	-	C50	100	21
0.3	0.6	1.2	1.2	2.4	-	C50	100	21
0.3	0.3	0.3	0.6	1.2	-	C50	100	21
0.3	0.3	0.3	0.3	0.6	-	C100	100	21
0.3	0.3	0.3	0.3	0.3	-	C100	80	21
0.3	0.3	0.3	0.3	0.3	-	C100	80	21
0.3	0.3	0.3	0.3	0.3	-	C200	80	21
0.3	0.3	0.3	0.3	0.3	-	C200	60	21
0.3	0.3	0.3	0.3	0.3	-	C200	60	21
0.3	0.3	0.3	0.3	0.3	-	C200	60	21

2.4	4.8	-	-	-	-	C5	100	19
2.4	2.4	4.8	-	-	-	C10	100	19
1.2	1.2	2.4	4.8	-	-	C10	100	19
0.6	0.6	1.2	2.4	4.8	-	C20	100	19
0.3	0.6	1.2	1.2	2.4	-	C20	100	19
0.3	0.3	0.6	1.2	1.2	-	C20	100	19
0.3	0.3	0.6	0.6	1.2	-	C50	100	19
0.3	0.3	0.3	0.3	0.6	-	C50	100	19
0.3	0.3	0.3	0.3	0.6	-	C50	80	19
0.3	0.3	0.3	0.3	0.3	-	C100	80	19
0.3	0.3	0.3	0.3	0.3	-	C100	80	19
0.3	0.3	0.3	0.3	0.3	-	C100	60	19
0.3	0.3	0.3	0.3	0.3	-	C100	60	19
0.3	0.3	0.3	0.3	0.3	-	C100	60	19
0.3	0.3	0.3	0.3	0.3	-	C200	60	19
0.3	0.3	0.3	0.3	0.3	-	C200	60	19
0.3	0.3	0.3	0.3	0.3	-	C200	60	19
0.3	0.3	0.3	0.3	0.3	-	C200	60	19

2.4	4.8	-	-	-	-	-	-	14
2.4	2.4	4.8	-	-	-	C5	-	14
1.2	2.4	4.8	-	-	-	C10	100	14
1.2	1.2	2.4	4.8	-	-	C10	100	14
0.6	0.6	1.2	2.4	4.8	-	C20	100	14
0.3	0.6	1.2	1.2	2.4	-	C20	100	14
0.3	0.3	0.6	1.2	2.4	-	C20	100	14
0.3	0.3	0.3	0.6	1.2	-	C50	100	14
0.3	0.3	0.3	0.6	0.6	-	C50	100	14
0.3	0.3	0.3	0.3	0.6	-	C50	80	14
0.3	0.3	0.3	0.3	0.3	-	C50	60	14
0.3	0.3	0.3	0.3	0.3	-	C100	60	14
0.3	0.3	0.3	0.3	0.3	-	C100	60	14
0.3	0.3	0.3	0.3	0.3	-	C100	60	14
0.3	0.3	0.3	0.3	0.3	-	C100	60	14
0.3	0.3	0.3	0.3	0.3	-	C100	60	14
0.3	0.3	0.3	0.3	0.3	-	C20	60	14
0.3	0.3	0.3	0.3	0.3	-	C20	60	14
0.3	0.3	0.3	0.3	0.3	-	C20	60	14



# Low Voltage Switchgear CTs

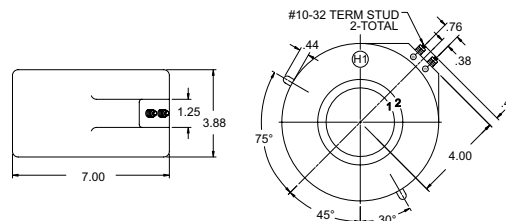
## TYPE SCJ

1VAP428861-DB

600 Volts  
Indoor  
10 kV BIL  
60 Hertz



UL Recognized Component



### Type SCJ-1R (3.05" Window)

Equivalent to GE-ITI 353R

Primary Amps	Style Number	Rating Factor	
		30°C	55°C
200	9628A43G01	1.33	1.0
250	9628A43G02	1.33	1.0
300	9628A43G03	1.33	1.0
400	9628A43G04	1.33	1.0
500	9628A43G05	1.33	1.0
600	9628A43G06	1.33	1.0
800	9628A43G07	1.33	1.0
1000	9628A43G08	1.33	1.0
1200	9628A43G09	1.33	1.0
1500	9628A43G10	1.33	1.0
2000	9628A43G11	1.33	1.0
2500	9628A43G12	1.33	1.0
3000	9628A43G13	1.33	1.0
3200	9628A43G14	1.33	1.0
4000	9628A43G15	1.33	1.0

### Type SCJ-1M (3.05" Window)

Equivalent to GE-ITI 353M

200	9628A42G01	1.33	1.0
250	9628A42G02	1.33	1.0
300	9628A42G03	1.33	1.0
400	9628A42G04	1.33	1.0
500	9628A42G05	1.33	1.0
600	9628A42G06	1.33	1.0
800	9628A42G07	1.33	1.0
1000	9628A42G08	1.33	1.0
1200	9628A42G09	1.33	1.0
1500	9628A42G10	1.33	1.0
2000	9628A42G11	1.33	1.0
2500	9628A42G12	1.33	1.0
3000	9628A42G13	1.33	1.0
3200	9628A42G14	1.33	1.0
4000	9628A42G15	1.33	1.0

### Type SCJ-2R (3.80" Window)

Equivalent to GE-ITI 354R

1000	9628A45G01	1.33	1.0
1200	9628A45G02	1.33	1.0
1500	9628A45G03	1.33	1.0
2000	9628A45G04	1.33	1.0
2500	9628A45G05	1.33	1.0
3000	9628A45G06	1.33	1.0
3200	9628A45G07	1.33	1.0
4000	9628A45G08	1.33	1.0

### Type SCJ-2M (3.80" Window)

Equivalent to GE-ITI 354M

1000	9628A44G01	1.33	1.0
1200	9628A44G02	1.33	1.0
1500	9628A44G03	1.33	1.0
2000	9628A44G04	1.33	1.0
2500	9628A44G05	1.33	1.0
3000	9628A44G06	1.33	1.0
3200	9628A44G07	1.33	1.0
4000	9628A44G08	1.33	1.0

B-0.1	IEEE Metering Accuracy				B-1.8	Relay Accuracy	Thermal Rating (x Normal, 1 sec)	Weight (lb.)
	B-0.2	B-0.5	B-0.9	B-1.8				
0.6	0.6	1.2	2.4	2.4	C20	18		
0.6	0.6	1.2	1.2	2.4	C20	18		
0.3	0.6	0.6	1.2	1.2	C20	18		
0.3	0.3	0.6	0.6	1.2	C50	18		
0.3	0.3	0.3	0.6	0.6	C50	18		
0.3	0.3	0.3	0.3	0.6	C50	18		
0.3	0.3	0.3	0.3	0.3	C100	18		
0.3	0.3	0.3	0.3	0.3	C70	18		
0.3	0.3	0.3	0.3	0.3	C70	18		
0.3	0.3	0.3	0.3	0.3	C110	18		
0.3	0.3	0.3	0.3	0.3	C80	18		
0.3	0.3	0.3	0.3	0.3	C100	18		
0.3	0.3	0.3	0.3	0.3	C70	18		
0.3	0.3	0.3	0.3	0.3	C70	18		
0.3	0.3	0.3	0.3	0.3	C50	18		

0.6	1.2	2.4	2.4	4.8	-	12
0.6	0.6	1.2	2.4	4.8	-	12
0.6	0.6	1.2	1.2	2.4	-	12
0.3	0.3	0.6	1.2	1.2	-	12
0.3	0.3	0.6	0.6	1.2	-	12
0.3	0.3	0.3	0.6	0.6	-	12
0.3	0.3	0.3	0.3	0.6	-	12
0.3	0.3	0.3	0.3	0.6	-	12
0.3	0.3	0.3	0.3	0.3	-	12
0.3	0.3	0.3	0.3	0.3	-	12
0.3	0.3	0.3	0.3	0.3	-	12
0.3	0.3	0.3	0.3	0.3	-	12
0.3	0.3	0.3	0.3	0.3	-	12
0.3	0.3	0.3	0.3	0.3	-	12
0.3	0.3	0.3	0.3	0.3	-	12

0.3	0.3	0.3	0.3	0.6	C70	16
0.3	0.3	0.3	0.3	0.3	C70	16
0.3	0.3	0.3	0.3	0.3	C110	16
0.3	0.3	0.3	0.3	0.3	C80	16
0.3	0.3	0.3	0.3	0.3	C100	16
0.3	0.3	0.3	0.3	0.3	C70	16
0.3	0.3	0.3	0.3	0.3	C70	16
0.3	0.3	0.3	0.3	0.3	C50	16

0.3	0.3	0.3	0.3	0.6	-	9
0.3	0.3	0.3	0.3	0.3	-	9
0.3	0.3	0.3	0.3	0.3	-	9
0.3	0.3	0.3	0.3	0.3	-	9
0.3	0.3	0.3	0.3	0.3	-	9
0.3	0.3	0.3	0.3	0.3	-	9
0.3	0.3	0.3	0.3	0.3	-	9
0.3	0.3	0.3	0.3	0.3	-	9

# Low Voltage Switchgear CTs

## TYPE SCS

600 Volts  
Indoor  
10 kV BIL  
60 Hertz

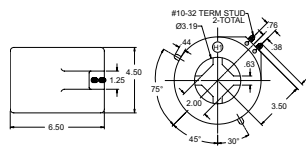


UL Recognized Component

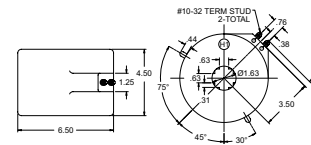


1VAP428871-DB

SCS-1R  
SCS-1M



SCS-2R  
SCS-2M



### Type SCS-1R (1.63" Window)

Equivalent to GE-ITI 351R

Primary Amps	Style Number	Rating Factor	
		30°C	55°C
100	9628A39G01	1.33	1.0
150	9628A39G02	1.33	1.0
200	9628A39G03	1.33	1.0
300	9628A39G04	1.33	1.0
400	9628A39G05	1.33	1.0
600	9628A39G06	1.33	1.0
800	9628A39G07	1.33	1.0
1000	9628A39G08	1.33	1.0
1200	9628A39G09	1.33	1.0
1500	9628A39G10	1.33	1.0
1600	9628A39G11	1.33	1.0
2000	9628A39G12	1.33	1.0
2500	9628A39G13	1.33	1.0

### Type SCS-1M (1.63" Window)

Equivalent to GE-ITI 351M

100	9628A38G01	1.33	1.0
150	9628A38G02	1.33	1.0
200	9628A38G03	1.33	1.0
300	9628A38G04	1.33	1.0
400	9628A38G05	1.33	1.0
600	9628A38G06	1.33	1.0
800	9628A38G07	1.33	1.0
1000	9628A38G08	1.33	1.0
1200	9628A38G09	1.33	1.0
1500	9628A38G10	1.33	1.0
1600	9628A38G11	1.33	1.0
2000	9628A38G12	1.33	1.0
2500	9628A38G13	1.33	1.0

### Type SCS-2R (2.00" Window)

100	9628A41G01	1.33	1.0
150	9628A41G02	1.33	1.0
200	9628A41G03	1.33	1.0
300	9628A41G04	1.33	1.0
400	9628A41G05	1.33	1.0
600	9628A41G06	1.33	1.0
800	9628A41G07	1.33	1.0
1000	9628A41G08	1.33	1.0
1200	9628A41G09	1.33	1.0
1500	9628A41G10	1.33	1.0
1600	9628A41G11	1.33	1.0
2000	9628A41G12	1.33	1.0
2500	9628A41G13	1.33	1.0

### Type SCS-2M (2.00" Window)

100	9628A40G01	1.33	1.0
150	9628A40G02	1.33	1.0
200	9628A40G03	1.33	1.0
300	9628A40G04	1.33	1.0
400	9628A40G05	1.33	1.0
600	9628A40G06	1.33	1.0
800	9628A40G07	1.33	1.0
1000	9628A40G08	1.33	1.0
1200	9628A40G09	1.33	1.0
1500	9628A40G10	1.33	1.0
1600	9628A40G11	1.33	1.0
2000	9628A40G12	1.33	1.0
2500	9628A40G13	1.33	1.0

B-0.1	IEEE Metering Accuracy				B-1.8	Relay Accuracy	Thermal Rating (x Normal, 1 sec)	Weight (lb.)
	B-0.2	B-0.5	B-0.9	B-1.8				
1.2	1.2	2.4	2.4	4.8	C20	20		
0.6	0.6	1.2	1.2	2.4	C20	20		
0.6	0.6	0.6	1.2	1.2	C50	20		
0.3	0.3	0.3	0.6	0.6	C50	20		
0.3	0.3	0.3	0.3	0.6	C100	20		
0.3	0.3	0.3	0.3	0.3	C100	20		
0.3	0.3	0.3	0.3	0.3	C100	20		
0.3	0.3	0.3	0.3	0.3	C200	20		
0.3	0.3	0.3	0.3	0.3	C200	20		
0.3	0.3	0.3	0.3	0.3	C200	20		
0.3	0.3	0.3	0.3	0.3	C200	20		
0.3	0.3	0.3	0.3	0.3	C200	20		
0.3	0.3	0.3	0.3	0.3	C200	20		

1.2	2.4	4.8	4.8	-	-	13
0.6	0.6	1.2	1.2	4.8	-	13
0.6	0.6	1.2	1.2	2.4	-	13
0.3	0.3	0.6	0.6	1.2	-	13
0.3	0.3	0.3	0.3	0.6	-	13
0.3	0.3	0.3	0.3	0.6	-	13
0.3	0.3	0.3	0.3	0.3	-	13
0.3	0.3	0.3	0.3	0.3	-	13
0.3	0.3	0.3	0.3	0.3	-	13
0.3	0.3	0.3	0.3	0.3	-	13
0.3	0.3	0.3	0.3	0.3	-	13
0.3	0.3	0.3	0.3	0.3	-	13
0.3	0.3	0.3	0.3	0.3	-	13

1.2	2.4	4.8	-	-	C5	14
1.2	1.2	2.4	4.8	-	C10	14
0.6	1.2	2.4	2.4	-	C15	14
0.3	0.6	1.2	1.2	2.4	C20	14
0.3	0.3	0.6	1.2	2.4	C30	14
0.3	0.3	0.3	0.6	0.6	C50	14
0.3	0.3	0.3	0.6	0.6	C50	14
0.3	0.3	0.3	0.3	0.6	C80	14
0.3	0.3	0.3	0.3	0.3	C70	14
0.3	0.3	0.3	0.3	0.3	C80	14
0.3	0.3	0.3	0.3	0.3	C80	14
0.3	0.3	0.3	0.3	0.3	C30	14
0.3	0.3	0.3	0.3	0.3	C30	14

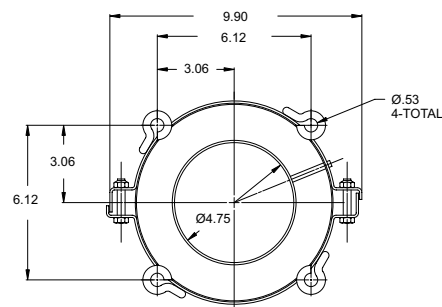
1.2	2.4	4.8	-	-	-	8
1.2	1.2	2.4	4.8	-	-	8
0.6	1.2	2.4	2.4	-	-	8
0.3	0.6	1.2	1.2	2.4	-	8
0.3	0.3	0.6	1.2	2.4	-	8
0.3	0.3	0.3	0.6	0.6	-	8
0.3	0.3	0.3	0.6	0.6	-	8
0.3	0.3	0.3	0.3	0.6	-	8
0.3	0.3	0.3	0.3	0.3	-	8
0.3	0.3	0.3	0.3	0.3	-	8
0.3	0.3	0.3	0.3	0.3	-	8
0.3	0.3	0.3	0.3	0.3	-	8
0.3	0.3	0.3	0.3	0.3	-	8

# Medium Voltage Switchgear CTs

## TYPE BYZ

1VAP428561-DB

**Test Voltage: 2500 Volts**  
**Indoor**  
 60 Hertz  
 Mechanical Rating:  
 180 x Normal



UL Recognized Component

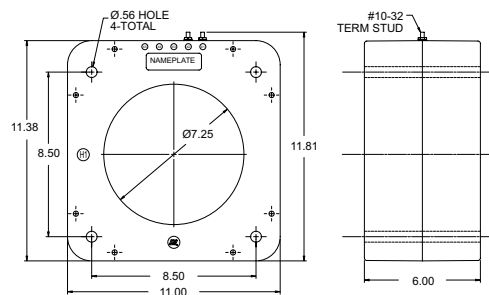
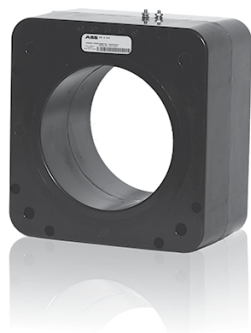
Primary Current Rating	Style Number
50	592C102G01
50	684C188G02
100	592C102G03
100	684C188G04

Relay Accuracy	Thermal Rating (x Normal, 1 sec)	Window Diameter (in.)	Weight (lb.)
C15	100	4.75	38
C20	100	7.50	38
C30	100	4.75	38
C50	100	7.50	38

## TYPE BYZ-S

1VAP428611-DB

**600 Volts**  
**Indoor**  
**10 kV BIL**  
 60 Hertz  
 Mechanical Rating:  
 180 x Normal



UL Recognized Component

Primary Current Rating	Current Style Cross-Reference	Historic Reference
50	7525A25G01	6353C97H01
100	7525A25G02	6353C97H02

Equivalent to  
 GE-ITI 143

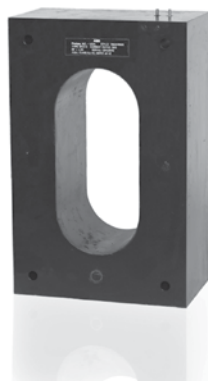
Relay Accuracy	Thermal Rating (x Normal, 1 sec)	Window Diameter (in.)	Weight (lb.)
C10	100	7.25	52
C20	100	7.25	52

# Medium Voltage Switchgear CTs

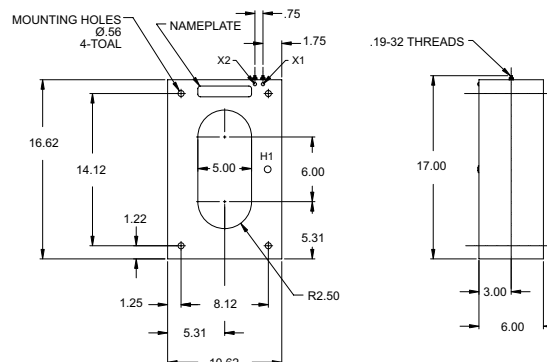
## TYPE BYZ-O

1VAP428612-DB

600 Volts  
Indoor  
10 kV BIL  
60 Hertz  
Mechanical Rating:  
180 x Normal



UL Recognized Component



Primary Current Rating	Style Number
50	7882A98G01
100	7882A98G02

Relay Accuracy	Thermal Rating (x Normal, 1 sec)	Window Diameter (in.)	Weight (lb.)
C20	100	5.0	110
C50	100	5.0	110

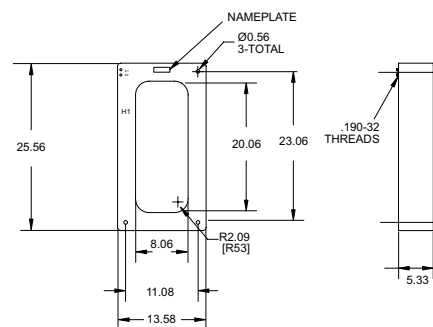
## TYPE BYZ-L

1VAP428613-DB

600 Volts  
Indoor  
10 kV BIL  
60 Hertz  
Mechanical Rating:  
180 x Normal



UL Recognized Component



Primary Current Rating	Style Number
50	923A294G01
75	923A294G02
100	923A294G03
150	923A294G04
200	923A294G05
300	923A294G06
400	923A294G07
500	923A294G08

Relay Accuracy	Thermal Rating (x Normal, 1 sec)	Window Opening (in.)	Weight (lb.)
C10	100	8.06 x 20.06	150
C20	100	8.06 x 20.06	150
C30	100	8.06 x 20.06	150
C50	100	8.06 x 20.06	150
C50	100	8.06 x 20.06	150
C100	100	8.06 x 20.06	150
C100	100	8.06 x 20.06	150
C200	100	8.06 x 20.06	150

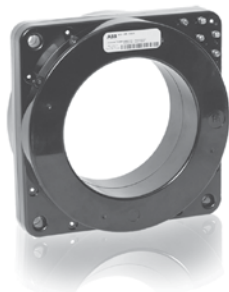
# Medium Voltage Switchgear CTs

## TYPE SCV

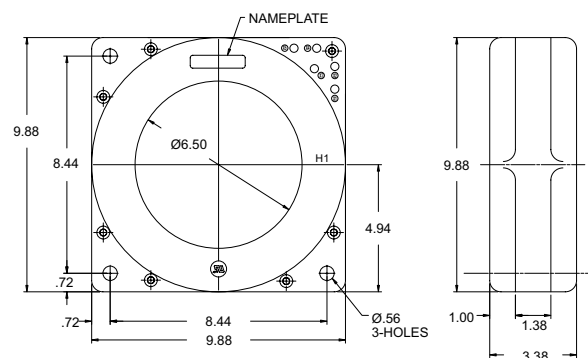
1VAP428601-DB

600 Volts  
Indoor  
10 kV BIL  
60 Hertz

Mechanical Rating:  
180 x Normal



UL Recognized Component



Equivalent to  
GE-ITI 780

Primary Amps	Current Style Cross-Reference	Historic Reference	Rating Factor	
			30°C	55°C
75	7527A70G20	6353C88H20	2.0	1.5
100	7527A70G01	6353C88H01	2.0	1.5
150	7527A70G02	6353C88H02	2.0	1.5
200	7527A70G03	6353C88H03	2.0	1.5
250	7527A70G04	6353C88H04	2.0	1.5
300	7527A70G05	6353C88H05	2.0	1.5
400	7527A70G06	6353C88H06	2.0	1.5
500	7527A70G07	6353C88H07	2.0	1.5
600	7527A70G08	6353C88H08	2.0	1.5
800	7527A70G09	6353C88H09	2.0	1.5
1000	7527A70G10	6353C88H10	2.0	1.5
1200	7527A70G11	6353C88H11	2.0	1.5
1500	7527A70G12	6353C88H12	2.0	1.5
2000	7527A70G13	6353C88H13	2.0	1.5
2500	7527A70G14	6353C88H14	2.0	1.5
3000	7527A70G15	6353C88H15	2.0	1.5
4000	7527A70G16	6353C88H16	2.0	1.5

Multi-Ratio,  
IEEE, 5  
Terminals

Equivalent to  
GE-ITI 781

600	7525A38G01	6350C23H01	2.0	1.5
1200	7525A38G02	6350C24H01	2.0	1.5
2000	7525A38G03	6350C25H01	2.0	1.5
3000	7525A38G04	6350C26H01	2.0	1.5
4000	7525A38G05	6350C27H01	2.0	1.5

B-0.1	IEEE Metering Accuracy				Relay Accuracy	Thermal Rating (x Normal, 1 sec)	Weight (lb.)
	B-0.2	B-0.5	B-0.9	B-1.8			
2.4	2.4	-	-	-	C10	80	29
1.2	2.4	-	-	-	C10	80	29
0.6	1.2	2.4	-	-	C20	80	29
0.6	0.6	1.2	-	-	C20	80	29
0.6	0.6	1.2	2.4	-	C20	80	29
0.3	0.6	1.2	1.2	2.4	C20	80	29
0.3	0.3	0.6	1.2	1.2	C50	80	29
0.3	0.3	0.3	0.6	1.2	C50	80	29
0.3	0.3	0.3	0.6	0.6	C100	80	29
0.3	0.3	0.3	0.3	0.6	C100	80	29
0.3	0.3	0.3	0.3	0.3	C100	80	29
0.3	0.3	0.3	0.3	0.3	C200	80	29
0.3	0.3	0.3	0.3	0.3	C200	80	29
0.3	0.3	0.3	0.3	0.3	C200	80	29
0.3	0.3	0.3	0.3	0.3	C200	80	29
0.3	0.3	0.3	0.3	0.3	C200	80	29
0.3	0.3	0.3	0.3	0.3	C200	80	29
0.3	0.3	0.3	0.3	0.3	C200	80	29
0.3	0.3	0.3	0.3	0.3	C200	80	29

0.3	0.3	0.3	0.6	0.6	C100	80	29
0.3	0.3	0.3	0.3	0.3	C200	80	29
0.3	0.3	0.3	0.3	0.3	C200	80	29
0.3	0.3	0.3	0.3	0.3	C200	80	29
0.3	0.3	0.3	0.3	0.3	C200	80	29

# Medium Voltage Switchgear CTs

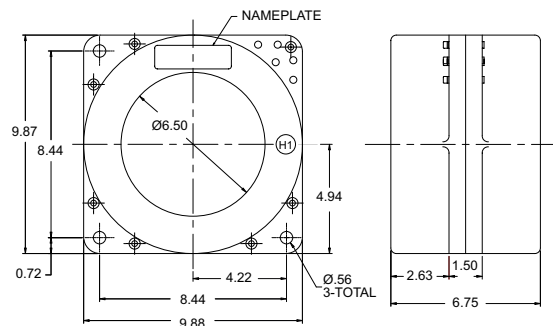
## TYPE SCV-D

1VAP428602-DB

600 Volts  
Indoor  
10 kV BIL  
60 Hertz  
Mechanical Rating:  
180 x Normal



UL Recognized Component



Equivalent to  
GE-ITI 785

Primary Amps	Current Style Cross-Reference	Historic Reference	Rating Factor	
			30°C	55°C
50	7525A37G01	6353C89H01	2.0	1.5
75	7525A37G02	6353C89H02	2.0	1.5
100	7525A37G03	6353C89H03	2.0	1.5
150	7525A37G04	6353C89H04	2.0	1.5
200	7525A37G05	6353C89H05	2.0	1.5
250	7525A37G06	6353C89H06	2.0	1.5
300	7525A37G07	6353C89H07	2.0	1.5
400	7525A37G08	6353C89H08	2.0	1.5
500	7525A37G09	6353C89H09	2.0	1.5
600	7525A37G10	6353C89H10	2.0	1.5
800	7525A37G11	6353C89H11	2.0	1.5
1000	7525A37G12	6353C89H12	2.0	1.5
1200	7525A37G13	6353C89H13	2.0	1.5
1500	7525A37G14	6353C89H14	2.0	1.5
2000	7525A37G15	6353C89H15	2.0	1.5
2500	7525A37G16	6353C89H16	2.0	1.5
3000	7525A37G17	6353C89H17	2.0	1.5
4000	7525A37G18	6353C89H18	1.33	1.0
5000	7525A37G23	-	1.0	0.75
6000	7525A37G19	-	1.0	0.75

Multi-Ratio,  
IEEE, 5  
Terminals

Equivalent to  
GE-ITI 786

600	7525A39G01	6436C46H01	2.0	1.5
1200	7525A39G02	6436C47H01	2.0	1.5
2000	7525A39G03	6436C48H01	2.0	1.5
3000	7525A39G04	6436C49H01	2.0	1.5
4000	7525A39G05	6436C50H01	1.33	1.0
5000	7525A39G06	-	1.0	0.75
6000	7525A39G11	-	1.0	0.75

B-0.1	IEEE Metering Accuracy					Relay Accuracy	Thermal Rating (x Normal, 1 sec)	Weight (lb.)
	B-0.2	B-0.5	B-0.9	B-1.8				
1.2	2.4	-	-	-	C10	80	48	
1.2	1.2	2.4	-	-	C20	80	48	
0.6	1.2	2.4	-	-	C20	80	48	
0.6	0.6	1.2	2.4	-	C50	80	48	
0.3	0.3	0.6	1.2	2.4	C50	80	48	
0.3	0.3	0.6	1.2	2.4	C50	80	48	
0.3	0.3	0.3	0.6	1.2	C100	80	48	
0.3	0.3	0.3	0.6	0.6	C100	80	48	
0.3	0.3	0.3	0.3	0.6	C100	80	48	
0.3	0.3	0.3	0.3	0.6	C200	80	48	
0.3	0.3	0.3	0.3	0.3	C200	80	48	
0.3	0.3	0.3	0.3	0.3	C200	80	48	
0.3	0.3	0.3	0.3	0.3	C400	80	48	
0.3	0.3	0.3	0.3	0.3	C400	80	48	
0.3	0.3	0.3	0.3	0.3	C400	80	48	
0.3	0.3	0.3	0.3	0.3	C400	80	48	
0.3	0.3	0.3	0.3	0.3	C400	80	48	
0.3	0.3	0.3	0.3	0.3	C400	80	48	
0.3	0.3	0.3	0.3	0.3	C400	80	48	

0.3	0.3	0.3	0.3	0.6	C200	80	48
0.3	0.3	0.3	0.3	0.3	C400	80	48
0.3	0.3	0.3	0.3	0.3	C400	80	48
0.3	0.3	0.3	0.3	0.3	C400	80	48
0.3	0.3	0.3	0.3	0.3	C400	80	48
0.3	0.3	0.3	0.3	0.3	C400	80	48
0.3	0.3	0.3	0.3	0.3	C400	80	48
0.3	0.3	0.3	0.3	0.3	C400	80	48

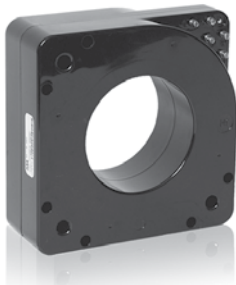
# Medium Voltage Switchgear CTs

## TYPES SAB-1 and SAB-2

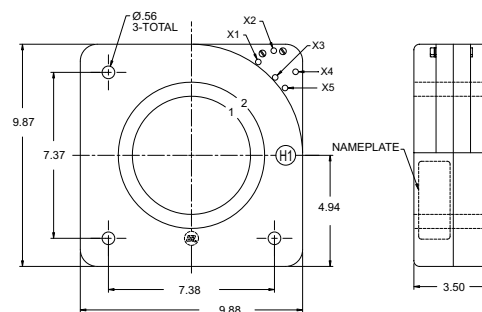
1VAP428781-DB

600 Volts  
Indoor  
10 kV BIL  
60 Hertz

Mechanical Rating:  
180 x Normal



UL Recognized Component



	Primary Amps	Current Style Number	Historic Style Number	Rating Factor	
				30°C	55°C
Type SAB-1 (5.25" Window) Equivalent to GE-ITI 622	50	923A329G01	9628A68G01	1.33	1.0
	75	923A329G02	9628A68G02	1.33	1.0
	100	923A329G03	9628A68G03	1.33	1.0
	150	923A329G04	9628A68G04	1.33	1.0
	200	923A329G05	9628A68G05	1.33	1.0
	250	923A329G06	9628A68G06	1.33	1.0
	300	923A329G07	9628A68G07	1.33	1.0
	400	923A329G08	9628A68G08	1.33	1.0
	500	923A329G09	9628A68G09	1.33	1.0
	600	923A329G10	9628A68G10	1.33	1.0
	800	923A329G11	9628A68G11	1.33	1.0
	1000	923A329G12	9628A68G12	1.33	1.0
	1200	923A329G13	9628A68G13	1.33	1.0
	1500	923A329G14	9628A68G14	1.33	1.0
	2000	923A329G15	9628A68G15	1.33	1.0
	2500	923A329G16	9628A68G16	1.33	1.0
	3000	923A329G17	9628A68G17	1.33	1.0
	4000	923A329G18	9628A68G18	1.33	1.0
	5000	923A329G19	9628A68G19	1.0	0.5
Multi-Ratio, IEEE, 5 Terminals Equivalent to GE-ITI 623	600	923A329G20	9628A68G20	1.33	1.0
	1200	923A329G21	9628A68G21	1.33	1.0
	2000	923A329G22	9628A68G22	1.33	1.0
	3000	923A329G23	9628A68G23	1.33	1.0
	4000	923A329G24	9628A68G24	1.33	1.0
Type SAB-2 (6.5" Window)	1500	923A330G01	9628A69G01	1.33	1.0
	2000	923A330G02	9628A69G02	1.33	1.0
	2500	923A330G03	9628A69G03	1.33	1.0
	3000	923A330G04	9628A69G04	1.33	1.0
	4000	923A330G05	9628A69G05	1.33	1.0
	5000	923A330G06	9628A69G06	1.0	0.5
Multi-Ratio, IEEE, 5 Terminals	2000	923A330G07	9628A69G07	1.33	1.0
	3000	923A330G08	9628A69G08	1.33	1.0
	4000	923A330G09	9628A69G09	1.33	1.0
	5000	923A330G10	9628A69G10	1.0	0.5

	IEEE Metering Accuracy					Relay Accuracy	Thermal Rating (x Normal, 1 sec)	Weight (lb.)	
	B-0.1	B-0.2	B-0.5	B-0.9	B-1.8				
Type SAB-1 (5.25" Window) Equivalent to GE-ITI 622	2.4	4.8	-	-	-	C10	80	38	
	1.2	2.4	4.8	-	-	C10	80	38	
	1.2	2.4	4.8	-	-	C20	80	38	
	0.6	0.6	1.2	2.4	4.8	C20	80	38	
	0.3	0.3	0.6	1.2	2.4	C50	80	38	
	0.3	0.3	0.6	1.2	1.2	C50	80	38	
	0.3	0.3	0.3	1.2	1.2	C50	80	38	
	0.3	0.3	0.3	0.3	0.6	C100	80	38	
	0.3	0.3	0.3	0.3	0.6	C100	80	38	
	0.3	0.3	0.3	0.3	0.3	C100	80	38	
	0.3	0.3	0.3	0.3	0.3	C100	80	38	
	0.3	0.3	0.3	0.3	0.3	C200	80	38	
	0.3	0.3	0.3	0.3	0.3	C200	80	38	
	0.3	0.3	0.3	0.3	0.3	C400	80	38	
	0.3	0.3	0.3	0.3	0.3	C400	80	38	
	0.3	0.3	0.3	0.3	0.3	C400	80	38	
	0.3	0.3	0.3	0.3	0.3	C400	80	38	
	Type SAB-2 (6.5" Window)	0.3	0.3	0.3	0.3	0.6	C100	80	38
		0.3	0.3	0.3	0.3	0.3	C200	80	38
0.3		0.3	0.3	0.3	0.3	C200	80	38	
0.3		0.3	0.3	0.3	0.3	C400	80	38	
0.3		0.3	0.3	0.3	0.3	C400	80	38	
0.3		0.3	0.3	0.3	0.3	C400	80	38	
0.3		0.3	0.3	0.3	0.3	C200	80	38	
0.3		0.3	0.3	0.3	0.3	C200	80	38	
0.3		0.3	0.3	0.3	0.3	C200	80	38	
0.3		0.3	0.3	0.3	0.3	C200	80	38	

# Medium Voltage Switchgear CTs

## TYPES SAB-1D and SAB-2D

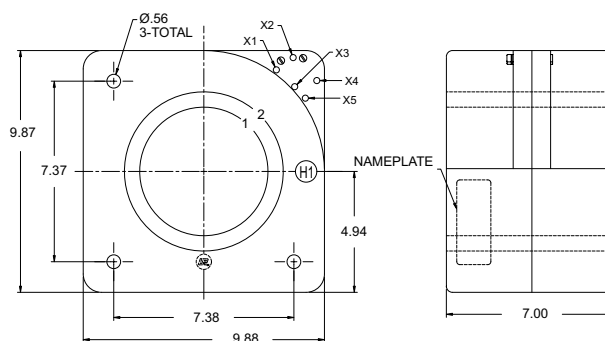
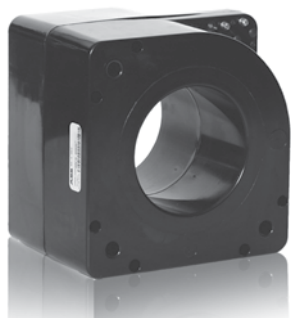
1VAP428781-DB

600 Volts  
Indoor  
10 kV BIL  
60 Hertz

Mechanical Rating:  
180 x Normal



UL Recognized Component



Type  
SAB-1D  
(5.25"  
Window)

Equivalent to  
GE-ITI 624

Primary Amps	Current Style Number	Historic Style Number	Rating Factor 30°C	Rating Factor 55°C
50	923A331G01-M	9628A70G01-M	1.33	1.0
75	923A331G02-M	9628A70G02-M	1.33	1.0
100	923A331G03-M	9628A70G03-M	1.33	1.0
150	923A331G04-M	9628A70G04-M	1.33	1.0
200	923A331G05-M	9628A70G05-M	1.33	1.0
250	923A331G06-M	9628A70G06-M	1.33	1.0
300	923A331G07-M	9628A70G07-M	1.33	1.0
400	923A331G08-M	9628A70G08-M	1.33	1.0
500	923A331G09-M	9628A70G09-M	1.33	1.0
600	923A331G10-M	9628A70G10-M	1.33	1.0
800	923A331G11-M	9628A70G11-M	1.33	1.0
1000	923A331G12-M	9628A70G12-M	1.33	1.0
1200	923A331G13-M	9628A70G13-M	1.33	1.0
1500	923A331G14-M	9628A70G14-M	1.33	1.0
2000	923A331G15-M	9628A70G15-M	1.33	1.0
2500	923A331G16-M	9628A70G16-M	1.33	1.0
3000	923A331G17-M	9628A70G17-M	1.33	1.0
4000	923A331G18-M	9628A70G18-M	1.33	1.0
5000	923A331G25-M	9628A70G25-M	1.0	0.5

Multi-Ratio,  
IEEE, 5  
Terminals

600	923A331G19-M	9628A70G19-M	1.33	1.0
1200	923A331G20-M	9628A70G20-M	1.33	1.0
2000	923A331G21-M	9628A70G21-M	1.33	1.0
3000	923A331G22-M	9628A70G22-M	1.33	1.0
4000	923A331G23-M	9628A70G23-M	1.33	1.0
5000	923A331G24-M	9628A70G24-M	1.0	0.5

Type  
SAB-2D  
(6.50"  
Window)

Equivalent to GE-ITI 625

Multi-Ratio,  
IEEE, 5  
Terminals

2000	923A332G07-M	9628A71G07-M	1.33	1.0
3000	923A332G08-M	9628A71G08-M	1.33	1.0
4000	923A332G09-M	9628A71G09-M	1.33	1.0
5000	923A332G10-M	9628A71G10-M	1.0	0.5

IEEE Metering Accuracy					Relay Accuracy	Thermal Rating (x Normal, 1 sec)	Weight (lb.)
B-0.1	B-0.2	B-0.5	B-0.9	B-1.8			
2.4	4.8	-	-	-	C20	80	65
1.2	2.4	4.8	-	-	C20	80	65
0.6	1.2	2.4	4.8	4.8	C50	80	65
0.3	0.6	1.2	1.2	2.4	C50	80	65
0.3	0.6	1.2	1.2	2.4	C100	80	65
0.3	0.3	0.6	0.6	1.2	C100	80	65
0.3	0.3	0.3	0.6	1.2	C100	80	65
0.3	0.3	0.3	0.3	0.6	C200	80	65
0.3	0.3	0.3	0.3	0.3	C200	80	65
0.3	0.3	0.3	0.3	0.3	C200	80	65
0.3	0.3	0.3	0.3	0.3	C200	80	65
0.3	0.3	0.3	0.3	0.3	C400	80	65
0.3	0.3	0.3	0.3	0.3	C400	80	65
0.3	0.3	0.3	0.3	0.3	C400	80	65
0.3	0.3	0.3	0.3	0.3	C800	80	65
0.3	0.3	0.3	0.3	0.3	C800	80	65
0.3	0.3	0.3	0.3	0.3	C800	80	65

0.3	0.3	0.3	0.3	0.3	C200	80	65
0.3	0.3	0.3	0.3	0.3	C400	80	65
0.3	0.3	0.3	0.3	0.3	C800	80	65
0.3	0.3	0.3	0.3	0.3	C800	80	65
0.3	0.3	0.3	0.3	0.3	C800	80	65

0.3	0.3	0.3	0.3	0.3	C400	80	65
0.3	0.3	0.3	0.3	0.3	C400	80	65
0.3	0.3	0.3	0.3	0.3	C400	80	65
0.3	0.3	0.3	0.3	0.3	C400	80	65
0.3	0.3	0.3	0.3	0.3	C400	80	65

0.3	0.3	0.3	0.3	0.3	C400	80	65
0.3	0.3	0.3	0.3	0.3	C400	80	65
0.3	0.3	0.3	0.3	0.3	C400	80	65
0.3	0.3	0.3	0.3	0.3	C400	80	65



# Medium Voltage Switchgear CTs

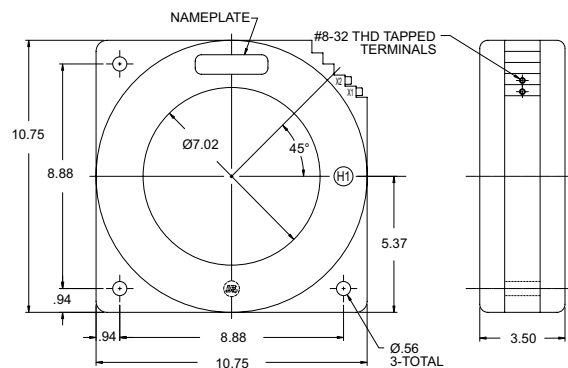
## TYPE SCR

1VAP428791-DB

600 Volts  
Indoor  
10 kV BIL  
60 Hertz  
Mechanical Rating:  
180 x Normal



UL Recognized Component



### Type SCR (7.02" Window) Equivalent to GE-ITI 680

Primary Amps	Style Number	Rating Factor	
		30°C	55°C
50	9628A62G17	1.33	1.0
75	9628A62G18	1.33	1.0
100	9628A62G01	1.33	1.0
150	9628A62G02	1.33	1.0
200	9628A62G03	1.33	1.0
250	9628A62G04	1.33	1.0
300	9628A62G05	1.33	1.0
400	9628A62G06	1.33	1.0
500	9628A62G07	1.33	1.0
600	9628A62G08	1.33	1.0
800	9628A62G09	1.33	1.0
1000	9628A62G10	1.33	1.0
1200	9628A62G11	1.33	1.0
1500	9628A62G12	1.33	1.0
2000	9628A62G13	1.33	1.0
2500	9628A62G14	1.33	1.0
3000	9628A62G15	1.33	1.0
4000	9628A62G16	1.33	1.0

### Multi-Ratio, IEEE, 5 Terminals Equivalent to GE-ITI 681

600	9628A64G01	1.33	1.0
1200	9628A64G02	1.33	1.0
2000	9628A64G03	1.33	1.0
3000	9628A64G04	1.33	1.0
4000	9628A64G05	1.33	1.0
5000	9628A64G06	1.33	1.0

B-0.1	IEEE Metering Accuracy				Relay Accuracy	Thermal Rating (x Normal, 1 sec)	Weight (lb.)
	B-0.2	B-0.5	B-0.9	B-1.8			
4.8	4.8	-	-	-	C5	80	32
2.4	4.8	-	-	-	C10	80	32
2.4	4.8	-	-	-	C10	80	32
0.6	1.2	2.4	-	-	C20	80	32
0.6	1.2	1.2	-	-	C20	80	32
0.6	0.6	1.2	2.4	-	C20	80	32
0.6	0.6	0.6	1.2	2.4	C20	80	32
0.3	0.6	0.6	1.2	2.4	C50	80	32
0.3	0.3	0.3	0.6	1.2	C50	80	32
0.3	0.3	0.3	0.6	1.2	C100	80	32
0.3	0.3	0.3	0.6	0.6	C100	80	32
0.3	0.3	0.3	0.3	0.3	C100	80	32
0.3	0.3	0.3	0.3	0.3	C200	80	32
0.3	0.3	0.3	0.3	0.3	C200	80	32
0.3	0.3	0.3	0.3	0.3	C200	80	32
0.3	0.3	0.3	0.3	0.3	C200	80	32
0.3	0.3	0.3	0.3	0.3	C200	80	32
0.3	0.3	0.3	0.3	0.3	C200	80	32
0.3	0.3	0.3	0.3	0.3	C200	80	32
0.3	0.3	0.3	0.3	0.3	C200	80	32
0.3	0.3	0.3	0.3	0.3	C200	80	32
0.3	0.3	0.3	0.3	0.3	C200	80	32
0.3	0.3	0.3	0.3	0.3	C200	80	32

0.3	0.3	0.3	0.6	1.2	C100	80	32
0.3	0.3	0.3	0.3	0.3	C200	80	32
0.3	0.3	0.3	0.3	0.3	C200	80	32
0.3	0.3	0.3	0.3	0.3	C200	80	32
0.3	0.3	0.3	0.3	0.3	C200	80	32
0.3	0.3	0.3	0.3	0.3	C200	80	32
0.3	0.3	0.3	0.3	0.3	C200	80	32

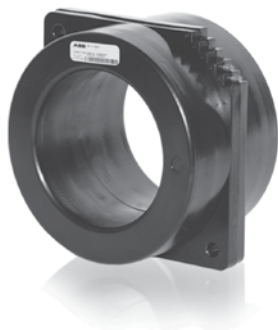
# Medium Voltage Switchgear CTs

## TYPE SCR-D

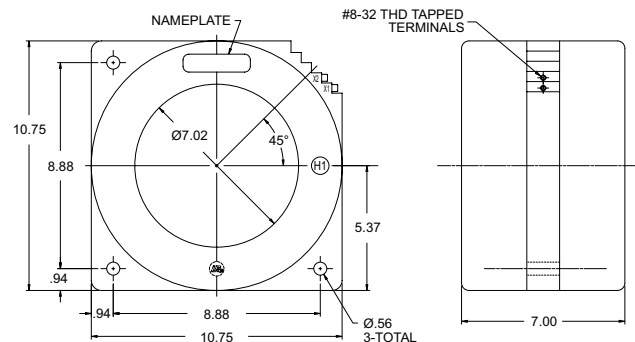
600 Volts  
Indoor  
10 kV BIL  
60 Hertz  
Mechanical Rating:  
180 x Normal



UL Recognized Component



1VAP428791-DB



### Type SCR-D (7.02" Window) Equivalent to GE-ITI 685

Primary Amps	Style Number	Rating Factor	
		30°C	55°C
50	9628A63G17	1.33	1.0
75	9628A63G18	1.33	1.0
100	9628A63G01	1.33	1.0
150	9628A63G02	1.33	1.0
200	9628A63G03	1.33	1.0
250	9628A63G04	1.33	1.0
300	9628A63G05	1.33	1.0
400	9628A63G06	1.33	1.0
500	9628A63G07	1.33	1.0
600	9628A63G08	1.33	1.0
800	9628A63G09	1.33	1.0
1000	9628A63G10	1.33	1.0
1200	9628A63G11	1.33	1.0
1500	9628A63G12	1.33	1.0
2000	9628A63G13	1.33	1.0
2500	9628A63G14	1.33	1.0
3000	9628A63G15	1.33	1.0
4000	9628A63G16	1.33	1.0

### Multi-Ratio, IEEE, 5 Terminals Equivalent to GE-ITI 686

600	9628A65G01	1.33	1.0
1200	9628A65G02	1.33	1.0
2000	9628A65G03	1.33	1.0
3000	9628A65G04	1.33	1.0
4000	9628A65G05	1.33	1.0
5000	9628A65G06	1.33	1.0

B-0.1	IEEE Metering Accuracy				Relay Accuracy	Thermal Rating (x Normal, 1 sec)	Weight (lb.)
	B-0.2	B-0.5	B-0.9	B-1.8			
1.2	2.4	-	-	-	C10	80	62
2.4	2.4	4.8	-	-	C20	80	62
0.6	1.2	2.4	-	-	C20	80	62
0.6	1.2	1.2	2.4	4.8	C50	80	62
0.3	0.3	0.6	1.2	2.4	C50	80	62
0.3	0.3	0.6	0.6	2.4	C50	80	62
0.3	0.3	0.3	0.6	1.2	C100	80	62
0.3	0.3	0.3	0.6	0.6	C100	80	62
0.3	0.3	0.3	0.3	0.3	C100	80	62
0.3	0.3	0.3	0.3	0.3	C200	80	62
0.3	0.3	0.3	0.3	0.3	C200	80	62
0.3	0.3	0.3	0.3	0.3	C200	80	62
0.3	0.3	0.3	0.3	0.3	C400	80	62
0.3	0.3	0.3	0.3	0.3	C400	80	62
0.3	0.3	0.3	0.3	0.3	C400	80	62
0.3	0.3	0.3	0.3	0.3	C400	80	62
0.3	0.3	0.3	0.3	0.3	C400	80	62
0.3	0.3	0.3	0.3	0.3	C400	80	62

0.3	0.3	0.3	0.3	0.6	C200	80	62
0.3	0.3	0.3	0.3	0.3	C400	80	62
0.3	0.3	0.3	0.3	0.3	C400	80	62
0.3	0.3	0.3	0.3	0.3	C400	80	62
0.3	0.3	0.3	0.3	0.3	C400	80	62
0.3	0.3	0.3	0.3	0.3	C400	80	62

# Medium Voltage Switchgear CTs

## TYPE SCE

600 Volts  
Indoor  
10 kV BIL  
60 Hertz

Mechanical Rating:  
180 x Normal



UL Recognized Component

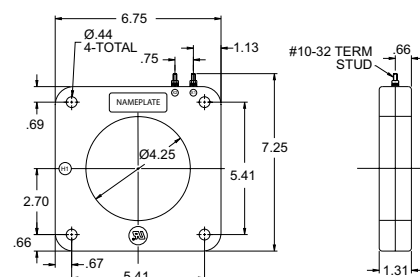


Optional accessory: Mounting Feet Style 9625A62G01

Equivalent to GE-ITI 170

Primary Amps	Style Number	Rating Factor	
		30°C	55°C
200	7525A44G01	2.0	1.5
300	7525A44G03	2.0	1.5
400	7525A44G04	2.0	1.5
500	7525A44G05	2.0	1.5
600	7525A44G06	2.0	1.5
800	7525A44G08	1.5	1.0
1000	7525A44G09	1.5	1.0
1200	7525A44G10	1.33	1.0
1500	7525A44G11	1.33	1.0
1600	7525A44G12	1.33	1.0
2000	7525A44G13	1.33	1.0
2500	7525A44G14	1.33	1.0
3000	7525A44G15	1.33	1.0
4000	7525A44G17	1.0	0.5

1VAP428631-DB



B-0.1	IEEE Metering Accuracy					Relay Accuracy	Thermal Rating (x normal, 1 sec)	Weight (lb.)
	B-0.2	B-0.5	B-0.9	B-1.8	B-1.8			
1.2	1.2	-	-	-	-	-	100	3.5
0.6	0.6	1.2	2.4	-	-	-	100	3.5
0.3	0.6	1.2	1.2	2.4	-	-	100	3.5
0.3	0.3	0.6	1.2	2.4	-	-	100	3.5
0.3	0.3	0.6	0.6	1.2	-	-	80	3.5
0.3	0.3	0.3	0.6	0.6	-	-	60	3.5
0.3	0.3	0.3	0.3	0.6	-	-	60	3.5
0.3	0.3	0.3	0.3	0.6	-	-	60	3.5
0.3	0.3	0.3	0.3	0.6	-	-	60	3.5
0.3	0.3	0.3	0.3	0.6	-	-	60	3.5
0.3	0.3	0.3	0.3	0.3	-	-	60	3.5
0.3	0.3	0.3	0.3	0.3	-	-	60	3.5
0.3	0.3	0.3	0.3	0.3	-	-	60	3.5
0.3	0.3	0.3	0.3	0.3	-	-	50	3.5

## TYPE SCN

600 Volts  
Indoor  
10 kV BIL  
60 Hertz

Mechanical Rating:  
180 x Normal

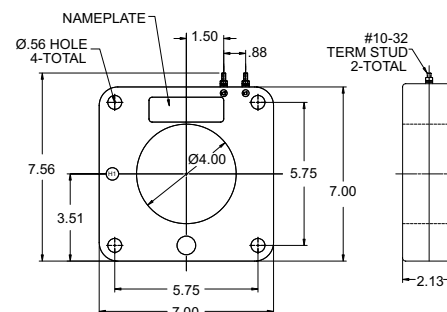


Optional accessory: Mounting Feet Style 9625A65G01

Equivalent to GE-ITI 100

Primary Amps	Style Number	Rating Factor	
		30°C	55°C
200	7526A79G01	2.0	1.5
300	7526A79G02	2.0	1.5
400	7526A79G03	2.0	1.5
600	7526A79G04	2.0	1.5
800	7526A79G05	1.5	1.0
1000	7526A79G06	1.33	1.0
1200	7526A79G07	1.33	1.0
1500	7526A79G08	1.33	1.0
2000	7526A79G09	1.33	1.0
2500	7526A79G10	1.33	1.0
3000	7526A79G11	1.33	1.0

1VAP428661-DB



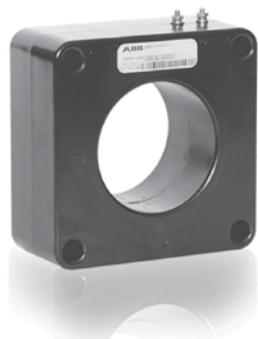
B-0.1	IEEE Metering Accuracy					Relay Accuracy	Thermal Rating (x normal, 1 sec)	Weight (lb.)
	B-0.2	B-0.5	B-0.9	B-1.8	B-1.8			
1.2	1.2	2.4	-	-	-	C10	100	9
0.6	0.6	1.2	2.4	-	-	C10	100	9
0.3	0.3	0.6	1.2	2.4	-	C20	100	9
0.3	0.3	0.3	0.6	1.2	-	C20	100	9
0.3	0.3	0.3	0.6	1.2	-	C20	80	9
0.3	0.3	0.3	0.3	0.6	-	C50	60	9
0.3	0.3	0.3	0.3	0.6	-	C50	60	9
0.3	0.3	0.3	0.3	0.6	-	C50	60	9
0.3	0.3	0.3	0.3	0.3	-	C50	60	9
0.3	0.3	0.3	0.3	0.3	-	C50	60	9
0.3	0.3	0.3	0.3	0.3	-	C50	60	9
0.3	0.3	0.3	0.3	0.3	-	C50	60	9

# Medium Voltage Switchgear CTs

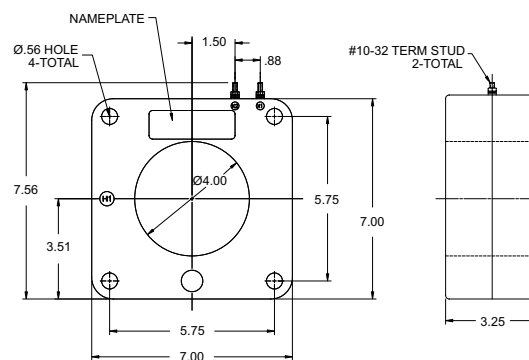
## TYPE SCN-D

1VAP428661-DB

**600 Volts**  
**Indoor**  
**10 kV BIL**  
 60 Hertz  
 Mechanical Rating:  
 180 x Normal



Optional accessory: Mounting Feet Style 9625A65G02



Equivalent to GE-ITI 110

Primary Amps	Style Number	Rating Factor	
		30°C	55°C
200	7526A80G01	2.0	1.5
300	7526A80G02	2.0	1.5
400	7526A80G03	2.0	1.5
600	7526A80G04	2.0	1.5
800	7526A80G05	1.5	1.0
1000	7526A80G06	1.33	1.0
1200	7526A80G07	1.33	1.0
1500	7526A80G08	1.33	1.0
2000	7526A80G09	1.33	1.0
2500	7526A80G10	1.33	1.0
3000	7526A80G11	1.33	1.0

B-0.1	IEEE Metering Accuracy				Relay Accuracy	Thermal Rating (x normal, 1 sec)	Weight (lb.)
	B-0.2	B-0.5	B-0.9	B-1.8			
1.2	1.2	2.4	-	-	C20	100	12.5
0.6	0.6	1.2	-	-	C20	100	12.5
0.3	0.3	0.6	1.2	2.4	C50	100	12.5
0.3	0.3	0.3	0.6	0.6	C50	100	12.5
0.3	0.3	0.3	0.6	0.6	C50	80	12.5
0.3	0.3	0.3	0.3	0.6	C50	60	12.5
0.3	0.3	0.3	0.3	0.6	C100	60	12.5
0.3	0.3	0.3	0.3	0.3	C100	60	12.5
0.3	0.3	0.3	0.3	0.3	C100	60	12.5
0.3	0.3	0.3	0.3	0.3	C100	60	12.5

# Medium Voltage Switchgear CTs

## TYPE SCM

600 Volts  
Indoor  
10 kV BIL  
60 Hertz

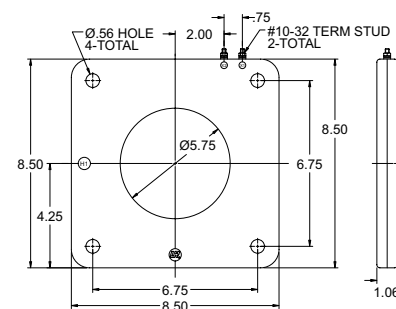
Mechanical Rating:  
180 x Normal



UL Recognized Component



1VAP428681-DB



Optional accessory: Mounting Feet Style 9625A64G01

Equivalent to GE-ITI 125

Primary Amps	Style Number	Rating Factor	
		30°C	55°C
200	7525A36G01	1.33	1.0
300	7525A36G02	1.33	1.0
400	7525A36G03	1.33	1.0
500	7525A36G04	1.33	1.0
600	7525A36G05	1.33	1.0
800	7525A36G06	1.33	1.0
1000	7525A36G07	1.33	1.0
1200	7525A36G08	1.33	1.0
1500	7525A36G09	1.33	1.0
1600	7525A36G10	1.33	1.0
2000	7525A36G11	1.33	1.0
2500	7525A36G12	1.33	1.0
3000	7525A36G13	1.33	1.0
4000	7525A36G14	1.0	0.5

B-0.1	IEEE Metering Accuracy				B-1.8	Relay Accuracy	Thermal Rating (x normal, 1 sec)	Weight (lb.)
	B-0.2	B-0.5	B-0.9	B-1.8				
2.4	2.4	-	-	-	-	60	5	
1.2	2.4	2.4	-	-	C5	60	5	
0.6	1.2	2.4	2.4	-	C5	60	5	
0.6	0.6	1.2	2.4	-	C5	60	5	
0.3	0.6	1.2	2.4	-	C10	60	5	
0.3	0.3	0.6	0.6	1.2	C10	60	5	
0.3	0.3	0.3	0.6	1.2	C10	60	5	
0.3	0.3	0.3	0.6	1.2	C15	60	5	
0.3	0.3	0.3	0.3	0.6	C15	60	5	
0.3	0.3	0.3	-	0.6	C5	60	5	
0.3	0.3	0.3	0.3	0.3	C10	60	5	
0.3	0.3	0.3	0.3	0.3	C10	60	5	
0.3	0.3	0.3	0.3	0.3	C15	60	5	
0.3	0.3	0.3	0.3	0.3	-	50	5	

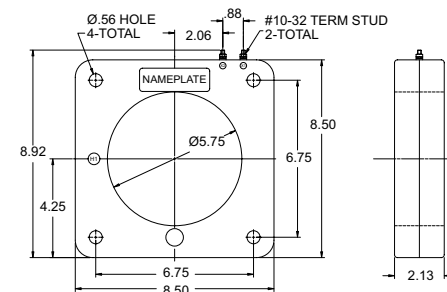
## TYPE SCL

600 Volts  
Indoor  
10 kV BIL  
60 Hertz

Mechanical Rating:  
180 x Normal



1VAP428671-DB



Optional accessory: Mounting Feet Style 9625A64G02

Equivalent to GE-ITI 120

Primary Amps	Style Number	Rating Factor	
		30°C	55°C
200	7526A81G01	2.0	1.5
300	7526A81G02	2.0	1.5
400	7526A81G03	2.0	1.5
600	7526A81G04	2.0	1.5
800	7526A81G05	2.0	1.5
1000	7526A81G06	1.5	1.0
1200	7526A81G07	1.5	1.0
1500	7526A81G08	1.33	1.0
2000	7526A81G09	1.33	1.0
2500	7526A81G10	1.33	1.0
3000	7526A81G11	1.33	1.0
4000	7526A81G12	1.33	1.0

B-0.1	IEEE Metering Accuracy				B-1.8	Relay Accuracy	Thermal Rating (x normal, 1 sec)	Weight (lb.)
	B-0.2	B-0.5	B-0.9	B-1.8				
1.2	1.2	2.4	-	-	C10	100	10	
0.6	0.6	1.2	2.4	-	C10	100	10	
0.6	0.6	1.2	2.4	-	C20	100	10	
0.3	0.3	0.3	0.6	1.2	C20	100	10	
0.3	0.3	0.3	0.3	0.6	C50	80	10	
0.3	0.3	0.3	0.3	0.3	C50	80	10	
0.3	0.3	0.3	0.3	0.3	C50	60	10	
0.3	0.3	0.3	0.3	0.3	C50	60	10	
0.3	0.3	0.3	0.3	0.3	C50	60	10	
0.3	0.3	0.3	0.3	0.3	C50	60	10	

# Medium Voltage Switchgear CTs

## TYPE SCL-D

600 Volts  
Indoor  
10 kV BIL  
60 Hertz  
Mechanical Rating:  
180 x Normal



Optional accessory:  
Mounting Feet Style 9625A64G03

Equivalent to GE-ITI 130

Primary Amps	Style Number	Rating Factor	
		30°C	55°C
200	7526A82G01	2.0	1.5
300	7526A82G02	2.0	1.5
400	7526A82G03	2.0	1.5
600	7526A82G04	2.0	1.5
800	7526A82G05	2.0	1.5
1000	7526A82G06	1.5	1.0
1200	7526A82G07	1.5	1.0
1500	7526A82G08	1.33	1.0
2000	7526A82G09	1.33	1.0
2500	7526A82G10	1.33	1.0
3000	7526A82G11	1.33	1.0
4000	7526A82G12	1.33	1.0

## TYPE SCO

600 Volts  
Indoor  
10 kV BIL  
60 Hertz  
Mechanical Rating:  
180 x Normal



 UL Recognized Component

Optional accessory:  
Mounting Feet Style 9625A63G01

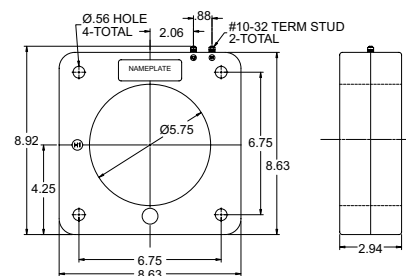
Equivalent to GE-ITI 135

Primary Amps	Style Number	Rating Factor	
		30°C	55°C
200	7526A83G01	2.0	1.5
300	7526A83G02	2.0	1.5
400	7526A83G03	2.0	1.5
600	7526A83G04	2.0	1.5
800	7526A83G05	2.0	1.5
1000	7526A83G06	1.5	1.0
1200	7526A83G07	1.5	1.0
1500	7526A83G08	1.33	1.0
2000	7526A83G09	1.33	1.0
2500	7526A83G10	1.33	1.0
3000	7526A83G11	1.33	1.0
4000	7526A83G12	1.33	1.0
5000	7526A83G19	1.0	1.0

Multi-Ratio, IEEE,  
5 Terminals

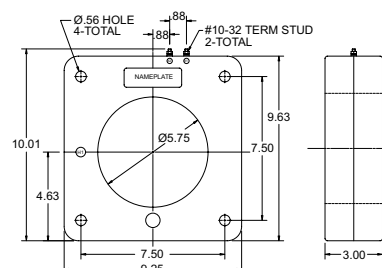
600	7526A83G13	2.0	1.5
1200	7526A83G14	1.5	1.0
2000	7526A83G15	1.33	1.0
3000	7526A83G16	1.33	1.0
4000	7526A83G17	1.33	1.0

1VAP428671-DB



B-0.1	IEEE Metering Accuracy					Relay Accuracy	Thermal Rating (x normal, 1 sec)	Weight (lb.)
	B-0.2	B-0.5	B-0.9	B-1.8				
0.6	1.2	2.4	-	-	C10	100	16	
0.6	0.6	1.2	2.4	-	C20	100	16	
0.3	0.3	0.6	1.2	2.4	C20	100	16	
0.3	0.3	0.3	0.6	1.2	C50	100	16	
0.3	0.3	0.3	0.3	0.6	C50	100	16	
0.3	0.3	0.3	0.3	0.3	C100	80	16	
0.3	0.3	0.3	0.3	0.3	C100	80	16	
0.3	0.3	0.3	0.3	0.3	C100	60	16	
0.3	0.3	0.3	0.3	0.3	C100	60	16	
0.3	0.3	0.3	0.3	0.3	C100	60	16	
0.3	0.3	0.3	0.3	0.3	C100	60	16	
0.3	0.3	0.3	0.3	0.3	C100	60	16	

1VAP428691-DB



B-0.1	IEEE Metering Accuracy					Relay Accuracy	Thermal Rating (x normal, 1 sec)	Weight (lb.)
	B-0.2	B-0.5	B-0.9	B-1.8				
0.6	1.2	2.4	-	-	C20	100	20	
0.3	0.6	1.2	2.4	-	C20	100	20	
0.3	0.3	0.6	1.2	2.4	C50	100	20	
0.3	0.3	0.6	0.6	1.2	C100	100	20	
0.3	0.3	0.3	0.3	0.6	C100	100	20	
0.3	0.3	0.3	0.3	0.3	C100	80	20	
0.3	0.3	0.3	0.3	0.3	C200	80	20	
0.3	0.3	0.3	0.3	0.3	C200	60	20	
0.3	0.3	0.3	0.3	0.3	C200	60	20	
0.3	0.3	0.3	0.3	0.3	C200	60	20	
0.3	0.3	0.3	0.3	0.3	C100	60	20	
0.3	0.3	0.3	0.3	0.3	C100	60	20	

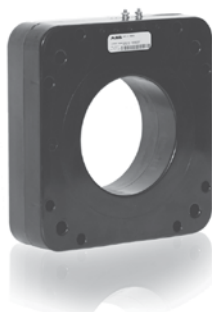
0.3	0.3	0.6	0.6	1.2	C100	80	20
0.3	0.3	0.3	0.3	0.3	C200	60	20
0.3	0.3	0.3	0.3	0.3	C200	60	20
0.3	0.3	0.3	0.3	0.3	C200	60	20
0.3	0.3	0.3	0.3	0.3	C200	100	20

# Medium Voltage Switchgear CTs

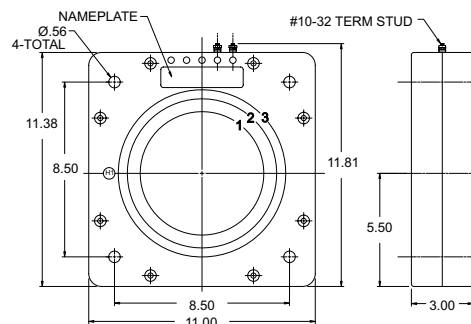
## TYPE SCP

1VAP428881-DB

600 Volts  
Indoor  
10 kV BIL  
60 Hertz  
Mechanical Rating:  
180 x Normal



UL Recognized Component



### Type SCP-1 (6.00" Window)

Equivalent to GE-ITI 144

Primary Amps	Style Number	Rating Factor	
		30°C	55°C
50	9628A03G01	2.0	1.5
75	9628A03G02	2.0	1.5
100	9628A03G03	2.0	1.5
150	9628A03G04	2.0	1.5
200	9628A03G05	2.0	1.5
300	9628A03G06	2.0	1.5
400	9628A03G07	2.0	1.5
600	9628A03G08	2.0	1.5
800	9628A03G09	2.0	1.5
1000	9628A03G10	1.5	1.0
1200	9628A03G11	1.5	1.0
1500	9628A03G12	1.5	1.0
2000	9628A03G13	1.33	1.0
2500	9628A03G14	1.33	1.0
3000	9628A03G15	1.33	1.0

### Type SCP-2 (7.25" Window)

Equivalent to GE-ITI 142

50	9628A06G01	2.0	1.5
75	9628A06G02	2.0	1.5
100	9628A06G03	2.0	1.5
150	9628A06G04	2.0	1.5
200	9628A06G05	2.0	1.5
300	9628A06G06	2.0	1.5
400	9628A06G07	2.0	1.5
600	9628A06G08	2.0	1.5
800	9628A06G09	2.0	1.5
1000	9628A06G10	1.5	1.0
1200	9628A06G11	1.5	1.0
1500	9628A06G12	1.5	1.0
2000	9628A06G13	1.33	1.0
2500	9628A06G14	1.33	1.0
3000	9628A06G15	1.33	1.0
4000	9628A06G16	1.33	1.0
5000	9628A06G17	1.33	1.0

### Type SCP-3 (8.13" Window)

Equivalent to GE-ITI 140

50	9628A07G01	2.0	1.5
100	9628A07G03	2.0	1.5
200	9628A07G05	2.0	1.5
300	9628A07G06	2.0	1.5
400	9628A07G07	2.0	1.5
600	9628A07G08	2.0	1.5
800	9628A07G09	2.0	1.5
1000	9628A07G10	1.5	1.0
1200	9628A07G11	1.5	1.0
1500	9628A07G12	1.5	1.0
2000	9628A07G13	1.33	1.0
2500	9628A07G14	1.33	1.0
3000	9628A07G15	1.33	1.0
4000	9628A07G16	1.33	1.0
5000	9628A07G17	1.33	1.0
6000	9628A07G18	1.33	1.0

B-0.1	IEEE Metering Accuracy					Relay Accuracy	Thermal Rating (x Normal, 1 sec)	Weight (lb.)
	B-0.2	B-0.5	B-0.9	B-1.8				
2.4	-	-	-	-	-	C10	80	40
1.2	2.4	-	-	-	-	C10	80	40
1.2	1.2	2.4	-	-	-	C20	80	40
0.6	0.6	1.2	2.4	-	-	C20	80	40
0.6	0.6	1.2	2.4	2.4	-	C50	80	40
0.3	0.3	0.6	0.6	1.2	-	C50	80	40
0.3	0.3	0.3	0.6	0.6	-	C100	80	40
0.3	0.3	0.3	0.3	0.6	-	C100	80	40
0.3	0.3	0.3	0.3	0.3	-	C200	80	40
0.3	0.3	0.3	0.3	0.3	-	C200	80	40
0.3	0.3	0.3	0.3	0.3	-	C200	80	40
0.3	0.3	0.3	0.3	0.3	-	C200	80	40
0.3	0.3	0.3	0.3	0.3	-	C400	80	40
0.3	0.3	0.3	0.3	0.3	-	C400	80	40
0.3	0.3	0.3	0.3	0.3	-	C400	80	40

4.8	-	-	-	-	-	-	80	30
2.4	2.4	-	-	-	-	C10	80	30
1.2	2.4	-	-	-	-	C10	80	30
1.2	1.2	2.4	-	-	-	C20	80	30
0.6	0.6	1.2	2.4	2.4	-	C20	80	30
0.3	0.3	0.6	1.2	2.4	-	C50	80	30
0.3	0.3	0.3	0.6	1.2	-	C50	80	30
0.3	0.3	0.3	0.6	0.6	-	C100	80	30
0.3	0.3	0.3	0.3	0.3	-	C100	80	30
0.3	0.3	0.3	0.3	0.3	-	C100	80	30
0.3	0.3	0.3	0.3	0.3	-	C200	80	30
0.3	0.3	0.3	0.3	0.3	-	C200	80	30
0.3	0.3	0.3	0.3	0.3	-	C200	80	30
0.3	0.3	0.3	0.3	0.3	-	C200	80	30
0.3	0.3	0.3	0.3	0.3	-	C200	80	30
0.3	0.3	0.3	0.3	0.3	-	C200	80	30
0.3	0.3	0.3	0.3	0.3	-	C200	80	30

-	-	-	-	-	-	-	80	28
-	-	-	-	-	-	-	80	28
1.2	1.2	2.4	-	-	-	C10	80	28
0.6	0.6	1.2	2.4	-	-	C20	80	28
0.6	0.6	0.6	1.2	2.4	-	C20	80	28
0.3	0.3	0.6	1.2	1.2	-	C20	80	28
0.3	0.3	0.3	0.6	0.6	-	C50	80	28
0.3	0.3	0.3	0.3	0.6	-	C50	80	28
0.3	0.3	0.3	0.3	0.3	-	C100	80	28
0.3	0.3	0.3	0.3	0.3	-	C100	80	28
0.3	0.3	0.3	0.3	0.3	-	C100	80	28
0.3	0.3	0.3	0.3	0.3	-	C100	80	28
0.3	0.3	0.3	0.3	0.3	-	C100	80	28
0.3	0.3	0.3	0.3	0.3	-	C100	80	28
0.3	0.3	0.3	0.3	0.3	-	C100	80	28
0.3	0.3	0.3	0.3	0.3	-	C100	80	28

# Medium Voltage Switchgear CTs

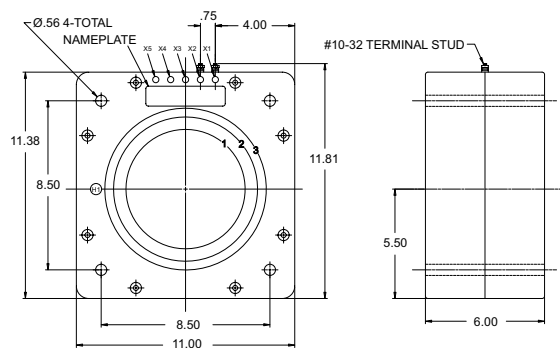
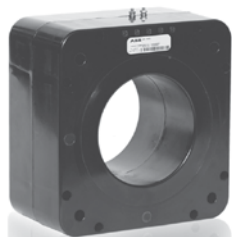
## TYPE SCD

1VAP428801-DB

600 Volts  
Indoor  
10 kV BIL  
60 Hertz  
Mechanical Rating:  
180 x Normal



UL Recognized Component



### Type SCD-1 (6.00" Window)

Equivalent to GE-ITI 145

Primary Amps	Style Number	Rating Factor	
		30°C	55°C
50	7525A45G01	2.0	1.5
75	7525A45G02	2.0	1.5
100	7525A45G03	2.0	1.5
150	7525A45G04	2.0	1.5
200	7525A45G05	2.0	1.5
300	7525A45G06	2.0	1.5
400	7525A45G07	2.0	1.5
600	7525A45G08	2.0	1.5
800	7525A45G09	2.0	1.5
1000	7525A45G10	1.5	1.0
1200	7525A45G11	1.5	1.0
1500	7525A45G12	1.5	1.0
2000	7525A45G13	1.33	1.0
2500	7525A45G14	1.33	1.0
3000	7525A45G15	1.33	1.0

### Type SCD-2 (7.25" Window)

Equivalent to GE-ITI 143

200	7525A46G01	2.0	1.5
300	7525A46G02	2.0	1.5
400	7525A46G03	2.0	1.5
600	7525A46G04	2.0	1.5
800	7525A46G05	2.0	1.5
1000	7525A46G06	1.5	1.0
1200	7525A46G07	1.5	1.0
1500	7525A46G08	1.5	1.0
2000	7525A46G09	1.33	1.0
2500	7525A46G10	1.33	1.0
3000	7525A46G11	1.33	1.0
4000	7525A46G12	1.33	1.0
5000	7525A46G13	1.33	1.0

### Type SCD-3 (8.13" Window)

Equivalent to GE-ITI 141

200	7525A47G01	2.0	1.5
300	7525A47G02	2.0	1.5
400	7525A47G03	2.0	1.5
600	7525A47G04	2.0	1.5
800	7525A47G05	2.0	1.5
1000	7525A47G06	2.0	1.5
1200	7525A47G07	2.0	1.5
1500	7525A47G08	2.0	1.5
2000	7525A47G09	2.0	1.5
2500	7525A47G10	1.33	1.0
3000	7525A47G11	1.33	1.0
4000	7525A47G12	1.33	1.0
5000	7525A47G13	1.33	1.0
6000	7525A47G14	1.33	1.0

IEEE Metering Accuracy					Relay Accuracy	Thermal Rating (x Normal, 1 sec)	Weight (lb.)
B-0.1	B-0.2	B-0.5	B-0.9	B-1.8			
1.2	2.4	-	-	-	C20	100	60
1.2	1.2	2.4	-	-	C20	100	60
0.6	1.2	2.4	-	-	C50	100	60
0.6	0.6	0.6	1.2	2.4	C50	100	60
0.3	0.6	0.6	1.2	1.2	C100	100	60
0.3	0.3	0.3	0.6	0.6	C100	100	60
0.3	0.3	0.3	0.3	0.6	C200	100	60
0.3	0.3	0.3	0.3	0.3	C200	100	60
0.3	0.3	0.3	0.3	0.3	C400	100	60
0.3	0.3	0.3	0.3	0.3	C400	80	60
0.3	0.3	0.3	0.3	0.3	C400	80	60
0.3	0.3	0.3	0.3	0.3	C800	80	60
0.3	0.3	0.3	0.3	0.3	C800	60	60
0.3	0.3	0.3	0.3	0.3	C800	60	60
0.3	0.3	0.3	0.3	0.3	C800	60	60

0.6	0.6	0.6	1.2	2.4	C50	100	52
0.3	0.3	0.3	0.6	1.2	C100	100	52
0.3	0.3	0.3	0.3	0.6	C100	100	52
0.3	0.3	0.3	0.3	0.3	C200	100	52
0.3	0.3	0.3	0.3	0.3	C200	100	52
0.3	0.3	0.3	0.3	0.3	C400	80	52
0.3	0.3	0.3	0.3	0.3	C400	80	52
0.3	0.3	0.3	0.3	0.3	C400	80	52
0.3	0.3	0.3	0.3	0.3	C400	60	52
0.3	0.3	0.3	0.3	0.3	C400	60	52
0.3	0.3	0.3	0.3	0.3	C400	60	52
0.3	0.3	0.3	0.3	0.3	C400	60	52

0.6	0.6	1.2	2.4	2.4	C50	100	45
0.3	0.3	0.6	1.2	1.2	C50	100	45
0.3	0.3	0.3	0.6	0.6	C100	100	45
0.3	0.3	0.3	0.3	0.6	C100	100	45
0.3	0.3	0.3	0.3	0.3	C200	100	45
0.3	0.3	0.3	0.3	0.3	C200	100	45
0.3	0.3	0.3	0.3	0.3	C200	100	45
0.3	0.3	0.3	0.3	0.3	C400	100	45
0.3	0.3	0.3	0.3	0.3	C400	100	45
0.3	0.3	0.3	0.3	0.3	C400	100	45
0.3	0.3	0.3	0.3	0.3	C400	60	45
0.3	0.3	0.3	0.3	0.3	C400	60	45
0.3	0.3	0.3	0.3	0.3	C400	60	45
0.3	0.3	0.3	0.3	0.3	C400	60	45



# Medium Voltage Switchgear CTs

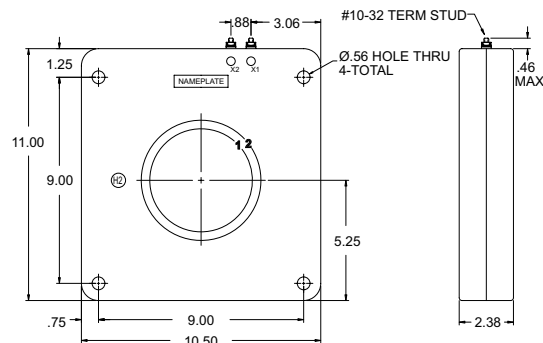
## TYPE SCB

1VAP428831-DB

600 Volts  
Indoor  
10 kV BIL  
60 Hertz  
Mechanical Rating:  
180 x Normal



UL Recognized Component



### Type SCB-1 (4.50" Window)

Equivalent to GE-ITI 306

Primary Amps	Style Number	Rating Factor	
		30°C	55°C
200	7525A20G01	2.0	1.5
300	7525A20G02	2.0	1.5
400	7525A20G03	2.0	1.5
600	7525A20G04	2.0	1.5
800	7525A20G05	1.5	1.0
1000	7525A20G06	1.5	1.0
1200	7525A20G07	1.5	1.0
1500	7525A20G08	1.5	1.0
2000	7525A20G09	1.33	1.0
2500	7525A20G10	1.33	1.0
3000	7525A20G11	1.33	1.0
4000	7525A20G12	1.33	1.0

### Multi-Ratio, IEEE, 5 Terminals

Equivalent to GE-ITI 306MR

600	7525A20G13	1.5	1.0
1200	7525A20G14	1.5	1.0
2000	7525A20G15	1.33	1.0
3000	7525A20G16	1.33	1.0
4000	7525A20G17	1.33	1.0

### Type SCB-2 (5.25" Window)

200	7525A24G01	2.0	1.5
300	7525A24G02	2.0	1.5
400	7525A24G03	2.0	1.5
600	7525A24G04	2.0	1.5
800	7525A24G05	2.0	1.0
1000	7525A24G06	1.5	1.0
1200	7525A24G07	1.5	1.0
1500	7525A24G08	1.5	1.0
2000	7525A24G09	1.5	1.0
2500	7525A24G10	1.33	1.0
3000	7525A24G11	1.33	1.0
4000	7525A24G12	1.33	1.0

### Multi-Ratio, IEEE, 5 Terminals

600	7525A24G13	1.5	1.0
1200	7525A24G14	1.5	1.0
2000	7525A24G15	1.33	1.0
3000	7525A24G16	1.5	1.0
4000	7525A24G17	1.33	1.0

B-0.1	IEEE Metering Accuracy					Relay Accuracy	Thermal Rating (x Normal, 1 sec)	Weight (lb.)
	B-0.2	B-0.5	B-0.9	B-1.8				
0.6	0.6	1.2	2.4	-	C20	100	29	
0.3	0.3	0.3	1.2	1.2	C50	100	29	
0.3	0.3	0.3	0.6	1.2	C80	100	29	
0.3	0.3	0.3	0.3	0.6	C100	100	29	
0.3	0.3	0.3	0.3	0.3	C100	80	29	
0.3	0.3	0.3	0.3	0.3	C200	80	29	
0.3	0.3	0.3	0.3	0.3	C200	80	29	
0.3	0.3	0.3	0.3	0.3	C200	80	29	
0.3	0.3	0.3	0.3	0.3	C400	60	29	
0.3	0.3	0.3	0.3	0.3	C400	60	29	
0.3	0.3	0.3	0.3	0.3	C400	60	29	

0.3	0.3	0.3	0.3	0.6	C100	80	29
0.3	0.3	0.3	0.3	0.3	C200	60	29
0.3	0.3	0.3	0.3	0.3	C400	60	29
0.3	0.3	0.3	0.3	0.3	C400	60	29
0.3	0.3	0.3	0.3	0.3	C400	60	29

0.6	0.6	-	-	-	C20	100	26
0.3	0.3	-	-	-	C50	100	26
0.3	0.3	0.3	0.6	1.2	C50	100	26
0.3	0.3	0.3	0.3	0.6	C100	100	26
0.3	0.3	0.3	0.3	0.3	C100	80	26
0.3	0.3	0.3	0.3	0.3	C100	80	26
0.3	0.3	0.3	0.3	0.3	C200	80	26
0.3	0.3	0.3	0.3	0.3	C200	80	26
0.3	0.3	0.3	0.3	0.3	C200	80	26
0.3	0.3	0.3	0.3	0.3	C200	60	26
0.3	0.3	0.3	0.3	0.3	C200	60	26
0.3	0.3	0.3	0.3	0.3	C200	60	26

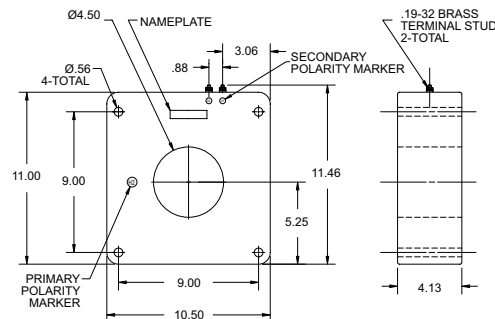
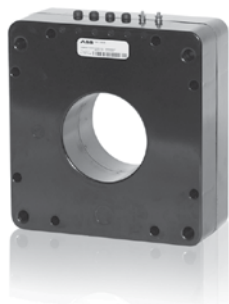
0.3	0.3	0.3	0.3	-	C100	80	26
0.3	0.3	0.3	0.3	0.3	C200	80	26
0.3	0.3	0.3	0.3	0.3	C200	60	26
0.3	0.3	0.3	0.3	0.3	C200	60	26
0.3	0.3	0.3	0.3	0.3	C200	60	26

# Medium Voltage Switchgear CTs

## TYPE RCB

1VAP428851-DB

600 Volts  
 Indoor  
 10 kV BIL  
 60 Hertz  
 Mechanical Rating:  
 180 x Normal



	Primary Amps	Style Number	Rating Factor	
			30°C	55°C
Equivalent to GE-ITI 307	200	7525A49G01	2.0	1.5
	300	7525A49G02	2.0	1.5
	400	7525A49G03	2.0	1.5
	600	7525A49G04	2.0	1.5
	800	7525A49G05	1.5	1.0
	1000	7525A49G06	1.5	1.0
	1200	7525A49G07	1.5	1.0
	1500	7525A49G08	1.5	1.0
	2000	7525A49G09	1.33	1.0
	2500	7525A49G10	1.33	1.0
	3000	7525A49G11	1.33	1.0
	4000	7525A49G12	1.33	1.0

Multi-Ratio, IEEE,  
 5 Terminals

Equivalent to GE-ITI 307MR

600	7525A49G13	2.0	1.5
1200	7525A49G14	1.5	1.0
2000	7525A49G15	1.33	1.0
3000	7525A49G16	1.33	1.0
4000	7525A49G17	1.33	1.0

B-0.1	IEEE Metering Accuracy					Relay Accuracy	Thermal Rating (x Normal, 1 sec)	Weight (lb.)
	B-0.2	B-0.5	B-0.9	B-1.8				
0.3	0.6	1.2	1.2	2.4	C50	100	55	
0.3	0.3	0.6	0.6	1.2	C100	100	55	
0.3	0.3	0.3	0.6	0.6	C100	100	55	
0.3	0.3	0.3	0.3	0.3	C200	100	55	
0.3	0.3	0.3	0.3	0.3	C200	80	55	
0.3	0.3	0.3	0.3	0.3	C200	80	55	
0.3	0.3	0.3	0.3	0.3	C400	80	55	
0.3	0.3	0.3	0.3	0.3	C400	80	55	
0.3	0.3	0.3	0.3	0.3	C800	60	55	
0.3	0.3	0.3	0.3	0.3	C800	60	55	
0.3	0.3	0.3	0.3	0.3	C800	60	55	

0.3	0.3	0.3	0.3	0.3	C200	100	55
0.3	0.3	0.3	0.3	0.3	C400	80	55
0.3	0.3	0.3	0.3	0.3	C800	60	55
0.3	0.3	0.3	0.3	0.3	C800	60	55
0.3	0.3	0.3	0.3	0.3	C800	60	55

# Medium Voltage Switchgear CTs

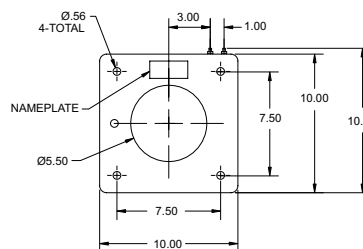
## TYPE RCI

1VAP428811-DB

600 Volts  
Indoor  
10 kV BIL  
60 Hertz  
Mechanical Rating:  
180 x Normal



UL Recognized Component



Type	Window Size (in.)	Thickness (in.)
RCI-1	5.5	5.0
RCI-2	6.5	5.0

Note: This unit is encapsulated in polyurethane.

### Type RCI-1 (5.5" Window)

Equivalent to GE-ITI 137

Primary Amps	Style Number	Rating Factor @ 30° C
50	9628A31G01	2.0
75	9628A31G02	2.0
100	9628A31G03	2.0
200	9628A31G04	2.0
300	9628A31G05	2.0
400	9628A31G06	2.0
600	9628A31G07	2.0
800	9628A31G08	2.0
1000	9628A31G09	2.0
1200	9628A31G10	2.0
1500	9628A31G11	1.5
2000	9628A31G12	1.33
2500	9628A31G13	1.33
3000	9628A31G14	1.33
4000	9628A31G15	1.33
5000	9628A31G16	1.33

### Type RCI-1 Multi-Ratio (5.5" Window)

Equivalent to GE-ITI 137MR

600	9628A36G01	1.33
1200	9628A36G02	1.33
2000	9628A36G03	1.33
3000	9628A36G04	1.33
4000	9628A36G05	1.33

### Type RCI-2 (6.5" Window)

Equivalent to GE-ITI 139

50	9628A32G01	2.0
75	9628A32G02	2.0
100	9628A32G03	2.0
200	9628A32G04	2.0
300	9628A32G05	2.0
400	9628A32G06	2.0
600	9628A32G07	2.0
800	9628A32G08	2.0
1000	9628A32G09	2.0
1200	9628A32G10	2.0
1500	9628A32G11	1.5
2000	9628A32G12	1.33
2500	9628A32G13	1.33
3000	9628A32G14	1.33
4000	9628A32G15	1.33
5000	9628A32G16	1.33

### Type RCI-2 Multi-Ratio (6.5" Window)

Equivalent to GE-ITI 139MR

600	9628A37G01	1.33
1200	9628A37G02	1.33
2000	9628A37G03	1.33
3000	9628A37G04	1.33
4000	9628A37G05	1.33
5000	9628A37G06	1.33

IEEE Metering Accuracy					Relay Accuracy	Weight (lb.)
B-0.1	B-0.2	B-0.5	B-0.9	B-1.8		
2.4	-	-	-	-	C10	60
1.2	2.4	-	-	-	C20	60
1.2	1.2	2.4	-	-	C20	60
0.3	0.6	1.2	1.2	2.4	C50	60
0.3	0.3	0.3	0.6	1.2	C100	60
0.3	0.3	0.3	0.3	0.6	C100	60
0.3	0.3	0.3	0.3	0.3	C200	60
0.3	0.3	0.3	0.3	0.3	C200	60
0.3	0.3	0.3	0.3	0.3	C200	60
0.3	0.3	0.3	0.3	0.3	C400	60
0.3	0.3	0.3	0.3	0.3	C400	60
0.3	0.3	0.3	0.3	0.3	C400	60
0.3	0.3	0.3	0.3	0.3	C400	60
0.3	0.3	0.3	0.3	0.3	C400	60
0.3	0.3	0.3	0.3	0.3	C400	60

-	-	-	-	-	C200	60
-	-	-	-	-	C400	60
-	-	-	-	-	C400	60
-	-	-	-	-	C400	60
-	-	-	-	-	C400	60

4.8	-	-	-	-	C10	50
2.4	4.8	-	-	-	C10	50
1.2	2.4	-	-	-	C20	50
0.6	0.6	1.2	2.4	2.4	C40	50
0.3	0.3	0.6	1.2	1.2	C50	50
0.3	0.3	0.3	0.6	1.2	C100	50
0.3	0.3	0.3	0.3	0.6	C100	50
0.3	0.3	0.3	0.3	0.3	C200	50
0.3	0.3	0.3	0.3	0.3	C200	50
0.3	0.3	0.3	0.3	0.3	C200	50
0.3	0.3	0.3	0.3	0.3	C200	50
0.3	0.3	0.3	0.3	0.3	C400	50
0.3	0.3	0.3	0.3	0.3	C400	50
0.3	0.3	0.3	0.3	0.3	C400	50
0.3	0.3	0.3	0.3	0.3	C400	50
0.3	0.3	0.3	0.3	0.3	C400	50
0.3	0.3	0.3	0.3	0.3	C400	50

-	-	-	-	-	C100	50
-	-	-	-	-	C200	50
-	-	-	-	-	C400	50
-	-	-	-	-	C400	50
-	-	-	-	-	C400	50
-	-	-	-	-	C400	50

# Medium Voltage Switchgear CTs

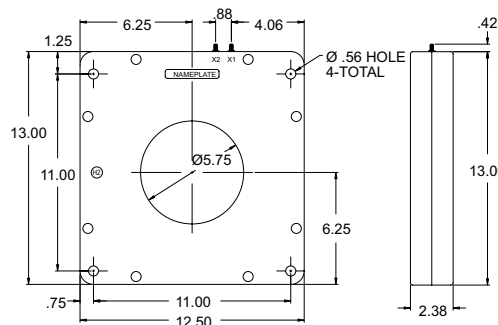
## TYPE SCA

1VAP428821-DB

600 Volts  
 Indoor  
 10 kV BIL  
 60 Hertz  
 Mechanical Rating:  
 180 x Normal



UL Recognized Component



	Primary Amps	Style Number	Rating Factor	
			30°C	55°C
Equivalent to GE-ITI 308	200	7525A48G01	2.0	1.5
	300	7525A48G02	2.0	1.5
	400	7525A48G03	2.0	1.5
	600	7525A48G04	2.0	1.5
	800	7525A48G05	1.5	1.0
	1000	7525A48G06	1.5	1.0
	1200	7525A48G07	1.5	1.0
	1500	7525A48G08	1.33	1.0
	2000	7525A48G09	1.33	1.0
	2500	7525A48G10	1.33	1.0
3000	7525A48G11	1.33	1.0	
4000	7525A48G12	1.33	1.0	

Multi-Ratio, IEEE,  
 5 Terminals  
 Equivalent to GE-ITI 308MR

600	7525A48G13	2.0	1.5
1200	7525A48G14	1.5	1.0
2000	7525A48G15	1.33	1.0
3000	7525A48G16	1.33	1.0
4000	7525A48G17	1.33	1.0

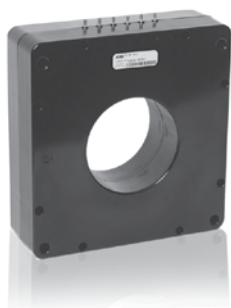
B-0.1	IEEE Metering Accuracy				Relay Accuracy	Thermal Rating (x Normal, 1 sec)	Weight (lb.)
	B-0.2	B-0.5	B-0.9	B-1.8			
0.6	1.2	2.4	2.4	-	C50	100	34
0.3	0.6	1.2	1.2	2.4	C50	100	34
0.3	0.3	0.6	1.2	2.4	C100	100	34
0.3	0.3	0.3	0.3	0.6	C100	100	34
0.3	0.3	0.3	0.3	0.3	C100	80	34
0.3	0.3	0.3	0.3	0.3	C200	80	34
0.3	0.3	0.3	0.3	0.3	C200	80	34
0.3	0.3	0.3	0.3	0.3	C200	60	34
0.3	0.3	0.3	0.3	0.3	C400	60	34
0.3	0.3	0.3	0.3	0.3	C400	60	34
0.3	0.3	0.3	0.3	0.3	C400	60	34

0.3	0.3	0.3	0.3	0.6	C100	80	34
0.3	0.3	0.3	0.3	0.3	C200	80	34
0.3	0.3	0.3	0.3	0.3	C400	60	34
0.3	0.3	0.3	0.3	0.3	C400	60	34
0.3	0.3	0.3	0.3	0.3	C400	60	34

# Medium Voltage Switchgear CTs

## TYPE RCA

600 Volts  
Indoor  
10 kV BIL  
60 Hertz  
Mechanical Rating:  
180 x Normal



Note: This unit is also available in polyurethane (thickness limited to 6") for special accuracy applications.

Equivalent to GE-ITI 309

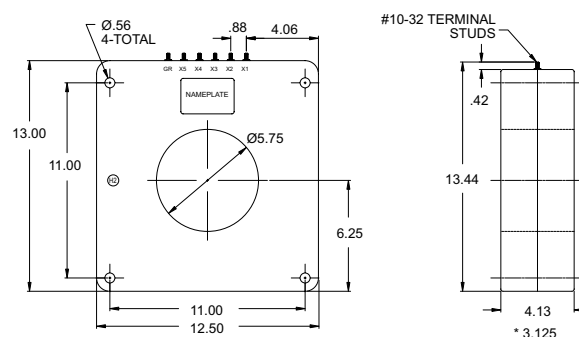
Primary Amps	Style Number	Rating Factor	
		30°C	55°C
200	7525A19G01	2.0	1.5
300	7525A19G02	2.0	1.5
400	7525A19G03	2.0	1.5
600	7525A19G04	2.0	1.5
800	7525A19G05	1.5	1.0
1000	7525A19G06	1.5	1.0
1200	7525A19G07	1.5	1.0
1500	7525A19G08	1.33	1.0
2000	7525A19G09	1.33	1.0
2500	7525A19G10	1.33	1.0
3000	7525A19G11	1.33	1.0
4000	7525A19G12	1.33	1.0

Multi-Ratio, IEEE,  
5 Terminals

Equivalent to GE-ITI 309MR

600	7525A19G13	2.0	1.5
1200	7525A19G14	1.5	1.0
2000	7525A19G15	1.33	1.0
3000	7525A19G16	1.33	1.0
4000	7525A19G17	1.33	1.0

1VAP428841-DB



\* Contact factory for styles with 3.125" thickness. These units are available at same ratios as standard RCAs upon request.

B-0.1	IEEE Metering Accuracy				Relay Accuracy	Thermal Rating (x Normal, 1 sec)	Weight (lb.)
	B-0.2	B-0.5	B-0.9	B-1.8			
0.6	0.6	1.2	2.4	2.4	C50	100	58
0.3	0.3	0.6	1.2	1.2	C100	100	58
0.3	0.3	0.3	0.6	1.2	C100	100	58
0.3	0.3	0.3	0.3	0.3	C200	100	58
0.3	0.3	0.3	0.3	0.3	C200	80	58
0.3	0.3	0.3	0.3	0.3	C200	80	58
0.3	0.3	0.3	0.3	0.3	C400	80	58
0.3	0.3	0.3	0.3	0.3	C400	60	58
0.3	0.3	0.3	0.3	0.3	C800	60	58
0.3	0.3	0.3	0.3	0.3	C800	60	58
0.3	0.3	0.3	0.3	0.3	C800	60	58

0.3	0.3	0.3	0.3	0.3	C200	100	58
0.3	0.3	0.3	0.3	0.3	C400	80	58
0.3	0.3	0.3	0.3	0.3	C800	60	58
0.3	0.3	0.3	0.3	0.3	C800	60	58
0.3	0.3	0.3	0.3	0.3	C800	60	58

# Medium Voltage Switchgear CTs

## TYPE RCF

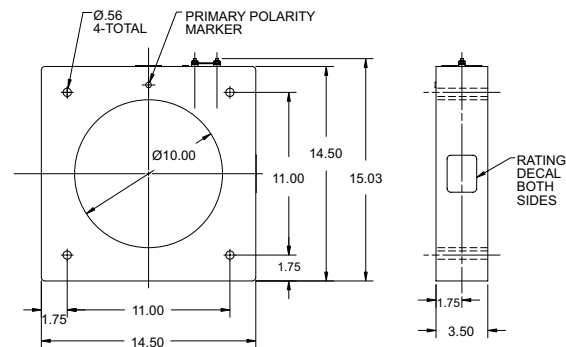
1VAP428891-DB

600 Volts  
Indoor  
10 kV BIL  
60 Hertz  
Mechanical Rating:  
180 x Normal



UL Recognized Component

Note: Encapsulated in polyurethane



Equivalent to GE-ITI 147

Primary Amps	Style Number	Rating Factor	
		30°C	55°C
2000	7526A78G01	2.0	1.5
2500	7526A78G02	2.0	1.5
3000	7526A78G03	2.0	1.5
4000	7526A78G04	2.0	1.5
5000	7526A78G05	2.0	1.5
6000	7526A78G06	1.5	1.0
8000	7526A78G07	1.33	1.0
10000	7526A78G08	1.33	1.0

B-0.1	IEEE Metering Accuracy					Relay Accuracy	Thermal Rating (x Normal, 1 sec)	Weight (lb.)
	B-0.2	B-0.5	B-0.9	B-1.8				
0.3	0.3	0.3	0.3	0.3	C200	120	44	
0.3	0.3	0.3	0.3	0.3	C200	120	44	
0.3	0.3	0.3	0.3	0.3	C200	120	44	
0.3	0.3	0.3	0.3	0.3	C200	120	44	
0.3	0.3	0.3	0.3	0.3	C200	100	44	
0.3	0.3	0.3	0.3	0.3	C200	100	44	
0.3	0.3	0.3	0.3	0.3	C200	100	44	

## TYPE RCF-D

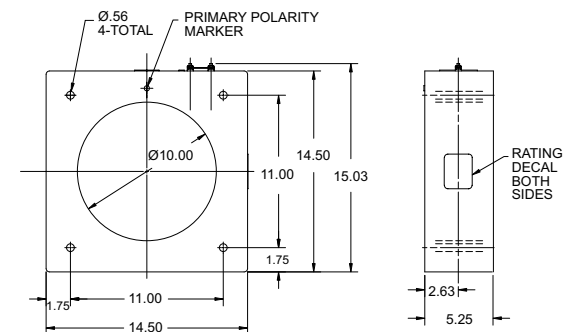
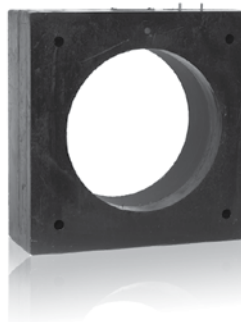
1VAP428891-DB

600 Volts  
Indoor  
10 kV BIL  
60 Hertz  
Mechanical Rating:  
180 x Normal



UL Recognized Component

Note: Encapsulated in polyurethane



Primary Amps	Style Number	Rating Factor	
		30°C	55°C
2500	7882A45G05	1.33	1.0
6000	7882A45G01	1.33	1.0
8000	7882A45G03	1.33	1.0
8000 (MR)	7882A45G02	1.33	1.0

B-0.1	IEEE Metering Accuracy					Relay Accuracy	Thermal Rating (x Normal, 1 sec)	Weight (lb.)
	B-0.2	B-0.5	B-0.9	B-1.8				
0.3	0.3	0.3	0.3	0.3	C400	100	65	
0.3	0.3	0.3	0.3	0.3	C800	100	65	
0.3	0.3	0.3	0.3	0.3	C800	100	65	
0.3	0.3	0.3	0.3	0.3	C800	100	65	

# Medium Voltage Switchgear CTs

## TYPE RCT

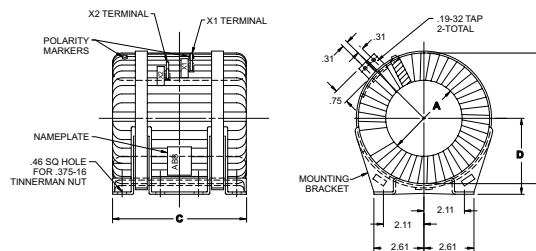
1VAP428541-DB

Test Voltage: 2500 Volts  
Indoor  
60 Hertz

Mechanical Rating:  
180 x normal



UL Recognized Component



Type	A	B	C	D	Ratio Normally Supplied
RCT-5	4.00	6.88	7.00	4.00	up thru 600:5
RCT-5	4.81	6.88	7.00	4.00	800:5 thru 3000:5
RCT-15	5.75	9.50	6.75	5.50	up thru 600:5
RCT-15*	6.56	9.50	6.75	5.50	*800:5 thru 5000:5
RCT-7*	7.00	9.50	6.75	5.50	*2000:5 and up

\*Except for dimension B, the RCT-7 is the same as the RCT-15.

### Type RCT-5

Equivalent to GE-ITI 720

Primary Amps	Style Number	Rating Factor @ 30° C
50	593C309G01	1.33
75	593C303G01	1.33
100	593C311G01	1.33
150	593C320G01	1.33
200	593C330G01	1.33
250	593C343G01	1.33
300	593C350G01	1.33
400	593C370G01	1.33
500	593C390G01	1.33
600	593C400G01	1.33
800	593C420G01	1.33
1000	593C433G01	1.33
1200	593C440G01	1.33
1500	593C470G01	1.33
2000	593C480G01	1.33
2500	593C530G01	1.33
3000	593C552G01	1.33

### Type RCT-7

Equivalent to GE-ITI 725

Primary Amps	Style Number	Rating Factor @ 30° C
2000	593C516G01	1.33
2500	593C537G01	1.33
3000	593C572G01	1.33
4000	593C592G01	1.33
5000	593C604G01	1.33

### Type RCT-15

Equivalent to GE-ITI 730

Primary Amps	Style Number	Rating Factor @ 30° C
50	593C308G01	1.33
75	593C304G01	1.33
100	593C311G01	1.33
150	593C321G01	1.33
200	593C332G01	1.33
250	593C344G01	1.33
300	593C352G01	1.33
400	593C372G01	1.33
500	593C392G01	1.33
600	593C403G01	1.33
800	593C421G01	1.33
1000	593C434G01	1.33
1200	593C443G01	1.33
1500	593C472G01	1.33
2000	593C484G01	1.33
2500	593C532G01	1.33
3000	593C553G01	1.33

B-0.1	IEEE Metering Accuracy				Relay Accuracy	Thermal Rating (x Normal, 1 sec)	Weight (lb.)
	B-0.2	B-0.5	B-0.9	B-1.8			
1.2	-	-	-	-	C10	180	60
0.6	1.2	2.4	-	-	C20	180	33
0.6	1.2	2.4	-	-	C20	180	34
0.6	0.6	1.2	-	-	C50	180	34
0.6	0.6	1.2	1.2	2.4	C50	180	29
0.6	0.6	0.6	1.2	1.2	C50	180	30
0.6	0.6	1.2	1.2	2.4	C20	180	21
0.3	0.3	1.2	1.2	2.4	C100	180	28
0.6	0.6	0.6	1.2	1.2	C100	180	30
0.3	0.3	0.3	0.3	0.6	C100	180	25
0.3	0.3	0.3	0.3	0.6	C50	180	15
0.3	0.3	0.3	0.3	0.6	C50	180	16
0.3	0.3	0.3	0.3	0.3	C100	180	18
0.3	0.3	0.3	0.3	0.3	C100	180	20
0.3	0.3	0.3	0.3	0.3	C100	180	20
0.3	0.3	0.3	0.3	0.3	C100	180	21
0.3	0.3	0.3	0.3	0.3	C100	180	23

0.3	0.3	0.3	0.3	0.3	C400	180	41
0.3	0.3	0.3	0.3	0.3	C400	180	35
0.3	0.3	0.3	0.3	0.3	C400	180	36
0.3	0.3	0.3	0.3	0.3	C200	180	36
0.3	0.3	0.3	0.3	0.3	C200	180	38

2.4	-	-	-	-	C20	180	60
0.6	1.2	2.4	-	-	C20	180	65
0.6	1.2	2.4	-	-	C50	180	65
0.6	0.6	1.2	-	-	C50	180	65
0.6	0.6	0.6	1.2	2.4	C100	180	64
0.6	0.6	0.6	0.6	1.2	C100	180	60
0.3	0.3	0.6	0.6	1.2	C100	180	66
0.3	0.3	0.3	0.6	0.6	C200	180	66
0.3	0.3	0.3	0.3	0.6	C200	180	59
0.3	0.3	0.3	0.3	0.6	C200	180	59
0.3	0.3	0.3	0.3	0.6	C100	180	38
0.3	0.3	0.3	0.3	0.3	C200	180	33
0.3	0.3	0.3	0.3	0.3	C200	180	33
0.3	0.3	0.3	0.3	0.3	C200	180	35
0.3	0.3	0.3	0.3	0.3	C200	180	35
0.3	0.3	0.3	0.3	0.3	C100	180	25
0.3	0.3	0.3	0.3	0.3	C100	180	25

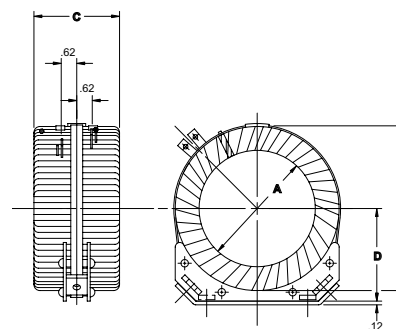
# Medium Voltage Switchgear CTs

## TYPE RTL

1VAP428551-DB

**Test Voltage: 2500 Volts**  
**Indoor**  
 60 Hertz

Mechanical Rating:  
 180 x normal



Type	A	B	C	D	Ratio Normally Supplied
RTL-5	4.00	6.97	3.59	3.88	150:5 thru 600:5
RTL-5	4.81	6.97	3.59	3.88	800:5 thru 1000:5
RTL-5	4.81	6.97	3.59	3.88	2000:5
RTL-15	5.75	9.59	3.47	5.50	150:5 thru 600:5
RTL-15	6.56	9.59	3.47	5.50	800:5 thru 1500:5
RTL-7	7.00	9.59	3.47	5.50	2000:5 and up

**Optional Mounting Accessories:**

Bracket for 5 kV      3470B39G02  
 Bracket for 15 kV    3470B40G02

### Type RTL-5

Equivalent to GE-ITI 722

Primary Amps	Style Number	Rating Factor @ 30° C
150	3834A03G01	1.33
200	3834A04G01	1.33
250	3834A05G01	1.33
300	3834A06G01	1.33
400	3834A07G01	1.33
500	3834A08G01	1.33
600	3834A09G01	1.33
800	3831A10G01	1.33
1000	3834A11G01	1.33
1200	3834A19G01	1.33
1500	3834A20G01	1.33
2000	3834A14G01	1.33

### Type RTL-7

Equivalent to GE-ITI 727

Primary Amps	Style Number	Rating Factor @ 30° C
2000	3834A34G01	1.33
2500	3834A35G01	1.33
3000	3834A36G01	1.33
4000	3834A37G01	1.33

### Type RTL-15

Equivalent to GE-ITI 732

Primary Amps	Style Number	Rating Factor @ 30° C
150	3834A23G01	1.33
200	3834A24G01	1.33
250	3834A25G01	1.33
300	3834A26G01	1.33
400	3834A27G01	1.33
500	3834A28G01	1.33
600	3834A29G01	1.33
800	3834A30G01	1.33
1000	3834A31G01	1.33
1200	3834A32G01	1.33
1500	3834A33G01	1.33

B-0.1	IEEE Metering Accuracy					Relay Accuracy	Thermal Rating (x Normal, 1 sec)	Weight (lb.)
	B-0.2	B-0.5	B-0.9	B-1.8				
0.6	1.2	2.4	-	-	C20	60	17	
0.6	1.2	2.4	-	-	C20	60	15	
0.6	1.2	2.4	-	-	C20	60	13	
0.3	0.6	1.2	1.2	2.4	C50	60	17	
0.3	0.6	1.2	1.2	2.4	C50	60	17	
0.3	0.3	0.3	1.2	2.4	C50	60	13	
0.3	0.3	0.3	1.2	1.2	C50	60	13	
0.3	0.3	0.3	0.6	1.2	C50	60	13	
0.3	0.3	0.3	0.3	0.3	C100	60	13	
0.3	0.3	0.3	0.3	0.3	C100	60	13	
0.3	0.3	0.3	0.3	0.3	C100	60	13	

0.3	0.3	0.3	0.3	0.3	C100	60	17
0.3	0.3	0.3	0.3	0.3	C100	60	18
0.3	0.3	0.3	0.3	0.3	C100	60	17
0.3	0.3	0.3	0.3	0.3	C100	60	17

0.6	1.2	2.4	-	-	C20	60	26
0.6	1.2	2.4	-	-	C20	60	22
0.6	1.2	2.4	-	-	C20	60	17
0.6	1.2	2.4	2.4	2.4	C20	60	16
0.3	0.6	1.2	1.2	2.4	C50	60	22
0.3	0.6	1.2	1.2	2.4	C50	60	20
0.3	0.3	0.3	1.2	2.4	C50	60	19
0.3	0.3	0.3	0.6	1.2	C50	60	15
0.3	0.3	0.3	0.6	1.2	C50	60	16
0.3	0.3	0.3	0.3	0.3	C100	60	18
0.3	0.3	0.3	0.3	0.3	C100	60	17



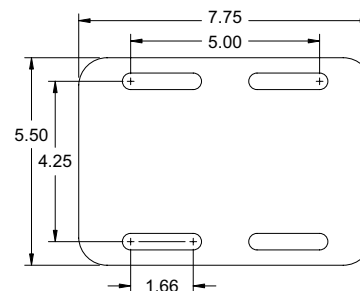
## AUXILIARY

1VAP428501-DB

Indoor  
Test Voltage: 2500 Volts  
25 through 60 Hertz

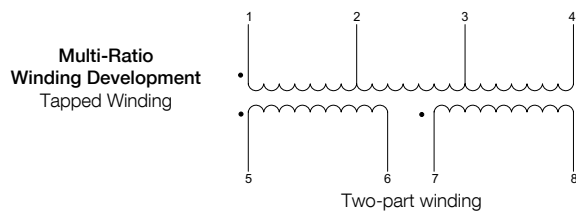


Mounting Base Dimensions (inches)



	Style Number	Winding Turns				
		1-2	2-3	3-4	5-6	7-8
Multi-ratio Auxiliary	7881A02G01	160	40	67	800	800
	7881A02G02	160	40	67	200	200
	7881A02G03	80	20	33	80	80
	7881A02G04	80	20	33	800	800
	7881A02G05	80	20	33	400	400
	7881A02G06	80	20	33	100	100
	7881A02G07	195	7	32	117	117
	7881A03G01	125	25	50	25	25
7881A03G02	160	40	67	40	40	
7881A03G03	160	40	67	80	80	
7881A03G04	160	40	67	400	400	

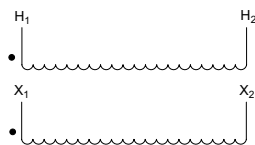
Relay Accuracy	IEEE Metering Accuracy*	Height (in.)	Width (in.)	Length (in.)	Weight (lb.)
T50	0.3B-0.5, 0.6B-1.8	7.0	5.5	8.50	23
T50	0.3B-0.5, 0.6B-1.8	7.0	5.5	8.50	23
T50	0.3B-0.5, 0.6B-1.8	7.0	5.5	8.50	23
T50	0.3B-0.5, 0.6B-1.8	7.0	5.5	8.50	23
T50	0.3B-0.5, 0.6B-1.8	7.0	5.5	8.50	23
T50	0.3B-0.5, 0.6B-1.8	7.0	5.5	8.50	23
T50	0.3B-0.5, 0.6B-1.8	7.0	5.5	8.50	23
T50	0.3B-0.5, 0.6B-1.8	7.0	5.5	8.50	23
T50	0.3B-0.5, 0.6B-1.8	7.0	5.5	8.50	23
T50	0.3B-0.5, 0.6B-1.8	7.0	5.5	8.50	23



	Ratio	Style Number	Winding Turns				
			1-2	2-3	3-4	5-6	7-8
Single-ratio Auxiliary	5:5	7881A01G01	140	-	-	140	-
	10:5	7881A01G02	70	-	-	140	-
	15:5	7881A01G03	47	-	-	141	-

Relay Accuracy	IEEE Metering Accuracy*	Height (in.)	Width (in.)	Length (in.)	Weight (lb.)
T50	0.3B-0.5, 0.6B-1.8	6.37	5.75	7.75	23
T50	0.3B-0.5, 0.6B-1.8	6.37	5.75	7.75	23
T50	0.3B-0.5, 0.6B-1.8	6.37	5.75	7.75	23

Single Ratio Winding Development



\*Stated accuracies are applicable for 60 Hz.

# 600 V Voltage Transformers

## TYPES PPW and PPD

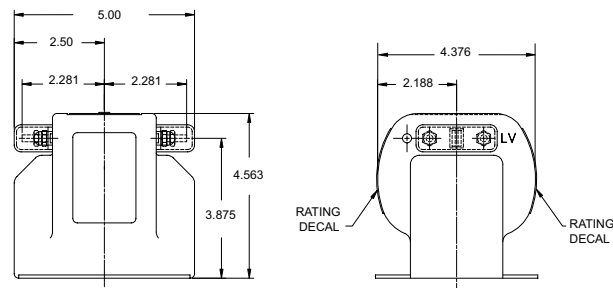
1VAP428711-DB

600 Volts  
Indoor/Outdoor  
10 kV BIL  
60 Hertz

**Thermal Rating:**  
150 VA @ 30° C Ambient  
100 VA @ 55° C Ambient



UL Recognized Component



	Primary Voltage	Style Number	Ratio
Type PPW Equivalent to GE-ITI 460	115/200Y	7526A04G10	1.061:1
	120/208Y	7526A04G07	1:1
	240/416Y	7526A04G01	2:1
	276/478Y	7526A04G09	2.3:1
	288/500Y	7526A04G02	2.4:1
	300/520Y	7526A04G03	2.5:1
	400/400Y	7526A04G06	3.33:1
	480/480Y	7526A04G04	4:1
	480/480Y	7526A04G08	2:1
	500/500Y	7526A04G11	4.167:1
	600/600Y	7526A04G05	5:1
	600/600Y	7526A04G12	2.5:1

IEEE Metering Accuracy*	Height (in.)	Width (in.)	Length (in.)	Weight (lb.)
0.3W, 0.6X	4.56	4.50	5.00	9
0.6W	4.56	4.50	5.00	9
0.3W, 0.6X	4.56	4.50	5.00	9
0.3W, 0.6X	4.56	4.50	5.00	9
0.3W, 0.6X	4.56	4.50	5.00	9
0.3W, 0.6X	4.56	4.50	5.00	9
0.3W, 0.6X	4.56	4.50	5.00	9
0.3W, 0.6X	4.56	4.50	5.00	9
0.3@12.5VA	4.56	4.50	5.00	9
0.3W, 0.6X	4.56	4.50	5.00	9
0.3W, 0.6X	4.56	4.50	5.00	9
0.3W, 0.6X	4.56	4.50	5.00	9

	Primary Voltage	Style Number	Ratio
Type PPD Equivalent to GE-ITI 465	69.4/120Y	7526A05G06	0.58:1
	120/208Y	7526A05G07	1:1
	208/208Y	7526A05G08	1.73:1
	240/416Y	7526A05G01	2:1
	288/500Y	7526A05G02	2.4:1
	300/520Y	7526A05G03	2.5:1
	380/380Y	7526A05G09	3.17:1
	480/480Y	7526A05G04	4:1
	600/600Y	7526A05G05	5:1

0.6W, 1.2X	4.56	4.50	5.00	9
0.6W, 1.2X	4.56	4.50	5.00	9
0.6W, 1.2X	4.56	4.50	5.00	9
0.6W, 1.2X	4.56	4.50	5.00	9
0.6W, 1.2X	4.56	4.50	5.00	9
0.6W, 1.2X	4.56	4.50	5.00	9
0.6W, 1.2X	4.56	4.50	5.00	9
0.6W, 1.2X	4.56	4.50	5.00	9
0.6W, 1.2X	4.56	4.50	5.00	9
0.6W, 1.2X	4.56	4.50	5.00	9

For 50 Hz designs, contact factory.

\*Stated accuracies are applicable for 60 Hz.

# 600 V Voltage Transformers

## TYPES PPM and PPX

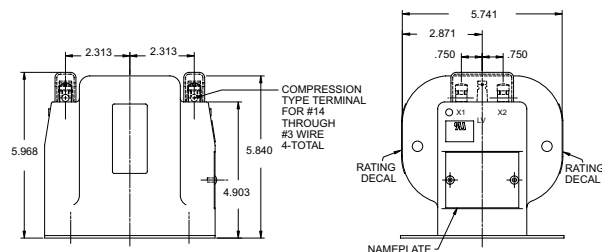
1VAP428731-DB

600 Volts  
Indoor/Outdoor  
10 kV BIL  
60 Hertz

**Thermal Rating:**  
500 VA @ 30° C Ambient  
350 VA @ 55° C Ambient



UL Recognized Component



### Type PPM

Equivalent to GE-ITI 456

Primary Voltage	Style Number	Ratio
240/416Y	7526A10G01	2:1
288/500Y	7526A10G02	2.4:1
300/520Y	7526A10G03	2.5:1
480/480Y	7526A10G04	4:1
600/600Y	7526A10G05	5:1
120/208Y	7526A10G06	1:1

IEEE Metering Accuracy	Height (in.)	Width (in.)	Length (in.)	Weight (lb.)
0.3Y	5.97	5.87	6.12	19
0.3Y	5.97	5.87	6.12	19
0.3Y	5.97	5.87	6.12	19
0.3Y	5.97	5.87	6.12	19
0.3Y	5.97	5.87	6.12	19
0.3Y	5.97	5.87	6.12	19

### Type PPX

40/70Y	7525A16G06	.3333:1
48/83Y	7525A16G07	0.4:1
60/104Y +	7525A16G10	0.5:1
69.3/120Y	7525A16G03	0.578:1
120/208Y +	7525A16G01	1:1
120/208Y * +	7525A16G05	1.7143:1
207.8/360Y	7525A16G09	1.7317:1
346/600Y	7525A16G08	2.8833:1
400/400Y+	7525A16G04	3.33:1

0.3W, 0.6X	5.97	5.87	6.12	19
0.3W, 0.6X, 1.2Y	5.97	5.87	6.12	19
0.6Y	5.97	5.87	6.12	19
0.3W, 0.6Y	5.97	5.87	6.12	19
0.6Y	5.97	5.87	6.12	19
0.3X	5.97	5.87	6.12	19
0.3Y	5.97	5.87	6.12	19
0.3Y	5.97	5.87	6.12	19
0.3W, 0.6X	5.97	5.87	6.12	19

\* 70 V Secondary

+ Thermal rating: 350 VA @ 30° C Ambient (50 Hz)

# 5 kV - 25 kV Indoor Current Transformers

## TYPE AB-5

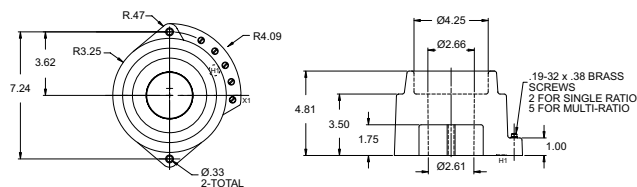
1VAP429091-DB

5 kV  
Indoor  
60 kV BIL  
50/60 Hertz

Mechanical Rating:  
180 x Normal



UL Recognized Component



### Type AB-5

Equivalent to GE-ITI 675

Primary Amps	Style Number	Rating Factor 30°C
75 ^	9628A91G01	1.33
100 ^	9628A91G02	1.33
150 ^	9628A91G03	1.33
200 ^	9628A91G04	1.33
250 ^	9628A91G05	1.33
300 ^	9628A91G06	1.33
400 ^	9628A91G07	1.33
500 ^	9628A91G08	1.33
600 ^	9628A91G09	1.33
800 ^	9628A91G10	1.33
1000 ^	9628A91G11	1.33
1200 ^	9628A91G12	1.33
1500	9628A91G13	1.33
2000 *	9628A91G14	1.33
2500 *	9628A91G15	1.0
3000 *	9628A91G16	-
4000 *	9628A91G17	-

\* Maximum continuous current is 2000 amperes.

^ Continuous Current Rating Factor: 1.0 @ 55°C Ambient for 75 - 1200 amps

#### Multi Ratio, IEEE, 5 Terminals

600	9629A15G01	1.33
1200	9629A15G02	1.33
2000	9629A15G03	1.0
3000	9629A15G04	0.67
4000	9629A15G05	0.50

B-0.1	IEEE Metering Accuracy				B-1.8	Relay Accuracy	Thermal Rating (x Normal, 1 sec)	Weight (lb.)
	B-0.2	B-0.5	B-0.9	B-1.8				
1.2	1.2	-	-	-	C10	80	16	
0.6	1.2	-	-	-	C10	80	16	
0.3	0.6	1.2	-	-	C20	80	16	
0.3	0.6	1.2	-	-	C20	80	16	
0.3	0.3	0.6	1.2	-	C20	80	16	
0.3	0.3	0.3	1.2	2.4	C50	80	16	
0.3	0.3	0.3	0.6	1.2	C50	80	16	
0.3	0.3	0.3	0.3	0.6	C50	80	16	
0.3	0.3	0.3	0.3	0.6	C100	80	16	
0.3	0.3	0.3	0.3	0.3	C100	80	16	
0.3	0.3	0.3	0.3	0.3	C100	80	16	
0.3	0.3	0.3	0.3	0.3	C160	80	16	
0.3	0.3	0.3	0.3	0.3	C200	80	16	
0.3	0.3	0.3	0.3	0.3	C200	80	16	
0.3	0.3	0.3	0.3	0.3	C200	80	16	
0.3	0.3	0.3	0.3	0.3	C200	80	16	
0.3	0.3	0.3	0.3	0.3	C200	80	16	

0.3	0.3	0.3	0.3	0.6	C100	80	16
0.3	0.3	0.3	0.3	0.3	C160	80	16
0.3	0.3	0.3	0.3	0.3	C200	80	16
0.3	0.3	0.3	0.3	0.3	C200	80	16
0.3	0.3	0.3	0.3	0.3	C200	80	16

# TYPE KIR-60

Equivalent to GE-ITI Model CTWH3-60-T100

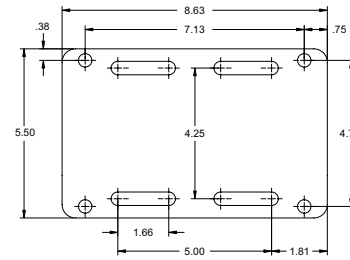
**Indoor**  
**60 kV BIL**  
 50/60 Hertz\*



**Mechanical rating:**  
 5 thru 600 Amps, 150 x normal  
 800 Amps, 110 x normal

**Thermal rating:**  
 5 thru 600 Amps, 100 x normal for 1 second  
 800 Amps, 75 x normal for 1 second

Mounting base dimensions (in)



Primary Amps	Style Number	IEEE Metering Accuracy
5	7524A01G01	0.3B-1.8
10	7524A01G02	0.3B-1.8
15	7524A01G03	0.3B-1.8
20	7524A01G04	0.3B-1.8
25	7524A01G05	0.3B-1.8
30	7524A01G06	0.3B-1.8
40	7524A01G07	0.3B-1.8
50	7524A01G08	0.3B-1.8
75	7524A01G09	0.3B-1.8
100	7524A01G10	0.3B-1.8
150	7524A01G11	0.3B-1.8
200	7524A01G12	0.3B-1.8
300	7524A01G13	0.3B-1.8
400	7524A01G14	0.3B-1.8
600	7524A01G15	0.3B-1.8
800	7524A01G16	0.3B-1.8
1000	7524A01G21	0.3B-1.8
1200	7524A01G20	0.3B-1.8

\* Accuracy 20% less at 50 Hz

Relay Accuracy*	Rating Factor	Height (in.)	Width (in.)	Length (in.)	Weight (lbs.)
T100	1.5	8.06	6.13	15.0	35
T100	1.5	8.06	6.13	15.0	35
T100	1.5	8.06	6.13	15.0	35
T100	1.5	8.06	6.13	15.0	35
T100	1.5	8.06	6.13	15.0	35
T100	1.5	8.06	6.13	15.0	35
T100	1.5	8.06	6.13	15.0	35
T100	1.5	8.06	6.13	15.0	35
T100	1.5	8.06	6.13	15.0	35
T100	1.5	8.06	6.13	15.0	35
T100	1.5	8.06	6.13	15.0	35
T100	1.5	8.06	6.13	15.0	38
T100	1.5	8.06	6.13	15.0	38
T100	1.5	8.06	6.13	15.0	38
T100	1.5	8.06	6.13	15.0	38
T100	1.33	8.06	6.13	15.0	38
T100	1.2	8.06	6.13	15.0	38
T100	1.0	8.06	6.13	15.0	38

# TYPE KIT-60

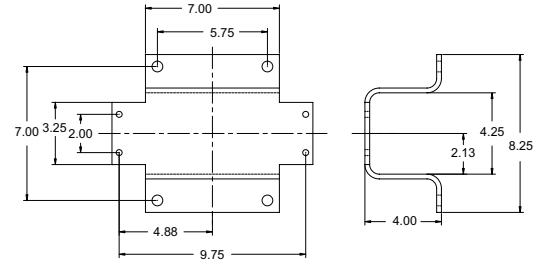
Indoor  
60 kV BIL  
60 Hertz\*



**Mechanical Rating:**  
All units effectively unlimited

**Thermal Rating:**  
800 and 1200 amps: 80 x normal, 1 second  
1500 amps & above: 100 x normal, 1 second

## Mounting base dimensions (in)



Primary Amps	Style Number	IEEE Metering Accuracy
800	7524A42G01	0.3B-0.9
1200	7524A42G02	0.3B-1.8
1500	7524A42G03	0.3B-1.8
2000	7524A42G04	0.3B-1.8
3000	7524A42G05	0.3B-1.8
4000	7524A42G06	0.3B-1.8
600/1200	7524A42G07	0.3B-1.8/0.3B-1.8
1000/2000	7524A42G08	0.3B-0.9/0.3B-1.8
2000/4000	7524A42G09	0.3B-1.8/0.3B-1.8

TYPE  
KIT-60  
**Tube type**  
3.25" ID

Rating Factor	Relay Accuracy*	Height (in.)	Width (in.)	Length (in.)	Weight (lbs.)
3.0	C100	15.37	10.50	10.25	42
2.0	C200	15.37	10.50	10.25	42
2.0	C200	15.37	10.50	10.25	42
2.0	C200	15.37	10.50	10.25	42
1.5	C200	15.37	10.50	10.25	42
1.5	C200	15.37	10.50	10.25	42
2.0	C100/C200	15.37	10.50	10.25	42
2.0	C100/C200	15.37	10.50	10.25	42
1.5	C100/C200	15.37	10.50	10.25	42

Primary Amps	Style Number	IEEE Metering Accuracy
800	923A272G01	0.3B-0.9
1200	923A272G02	0.3B-1.8
1500	923A272G03	0.3B-1.8
2000	923A272G04	0.3B-1.8
3000	923A272G05	0.3B-1.8
4000	923A272G06	0.3B-1.8
600/1200	923A272G07	0.3B-0.5/0.3B-1.8
1000/2000	923A272G08	0.3B-0.9/0.3B-1.8
2000/4000	923A272G09	0.3B-1.8/0.3B-1.8

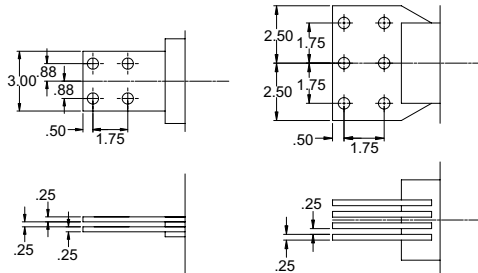
TYPE  
KIT-60  
**Bar type**

Rating Factor	Relay Accuracy*	Height (in.)	Width (in.)	Length (in.)	Weight (lbs.)
2.0	C100	15.38	10.50	19.62	66
2.0	C200	15.38	10.50	19.62	66
2.0	C200	15.38	10.50	19.62	66
1.5	C200	15.38	10.50	19.62	66
1.33	C200	15.38	10.50	19.62	66
1.0	C200	15.38	10.50	19.62	66
2.0	C100/C200	15.38	10.50	19.62	66
1.5	C100/C200	15.38	10.50	19.62	66
1.0	C200/C200	15.38	10.50	19.62	66

### Bar dimensions:

**Primary Terminals**  
1200 Amperes and Below

**Primary Terminals**  
Above 1200 Amperes



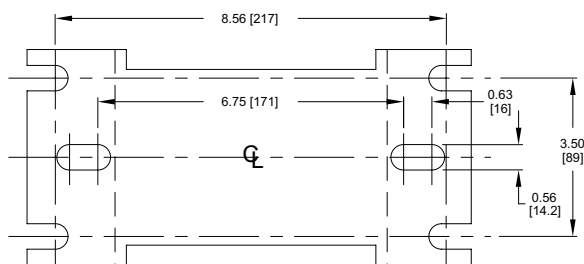
Contact factory for 0.15S accuracy class

# TYPE TD-994

5000 volts  
Indoor/outdoor  
60 kV BIL  
60 Hertz



Mounting base dimensions (in. [mm])



Primary Amps	Style Number	IEEE Metering Accuracy
100	B130100S1	0.3B-0.1
200	B130200S1	0.3B-0.2
300	B130300S1	0.3B-0.2
400	B130400S1	0.3B-0.5
500	B130500S1	0.3B-0.5
600	B130600S1	0.3B-0.5
800	B130800S1	0.3B-0.9
1000	B131000S1	0.3B-1.8
1200	<b>B131200S1</b>	0.3B-1.8
1500	B131500S1	0.3B-1.8
2000	B132000S1	0.3B-1.8
2500	B132500S1	0.3B-1.8
3000	B133000S1	0.3B-1.8
4000	B134000S1	0.3B-1.8
200/400	B130200D1	0.3B-0.2/0.3B-0.5
300/600	B130300D1	0.3B-0.2/0.3B-0.5
400/800	B130400D1	0.3B-0.5/0.3B-0.9
600/1200	B130600D1	0.3B-0.5/0.3B-1.8
1000/2000	B131000D1	0.3B-1.8/0.3B-1.8
1500/3000	B131500D1	0.3B-1.8/0.3B-1.8
2000/4000	B132000D1	0.3B-1.8/0.3B-1.8

Window Diam. (in.)	Relay Accuracy	Rating Factor @ 30°C	Height (in.)	Width (in.)	Length (in.)	Weight (lbs.)
3.44	C10	2.0	12.0	9.75	9.0	40
3.44	C20	2.0	12.0	9.75	9.0	40
3.44	C50	2.0	12.0	9.75	9.0	40
3.44	C75	2.0	12.0	9.75	9.0	40
3.44	C100	2.0	12.0	9.75	9.0	40
3.44	C100	2.0	12.0	9.75	9.0	40
3.44	C150	2.0	12.0	9.75	9.0	40
3.44	C200	2.0	12.0	9.75	9.0	40
3.44	C200	2.0	12.0	9.75	9.0	40
3.44	C200	2.0	12.0	9.75	9.0	40
3.44	C200	2.0	12.0	9.75	9.0	40
3.44	C200	1.0	12.0	9.75	9.0	40
3.44	C200	1.0	12.0	9.75	9.0	40
3.44	C20/C40	2.0/2.0	12.0	9.75	9.0	40
3.44	C50/C100	2.0/2.0	12.0	9.75	9.0	40
3.44	C75/C150	2.0/2.0	12.0	9.75	9.0	40
3.44	C100/C200	2.0/2.0	12.0	9.75	9.0	40
3.44	C100/C200	2.0/2.0	12.0	9.75	9.0	40
3.44	C100/C200	2.0/1.0	12.0	9.75	9.0	40
3.44	C100/C200	2.0/1.0	12.0	9.75	9.0	40

Available in multi-ratio designs (full tap ratings same as single ratio above)

One second thermal/mechanical ratings: 60 x full winding  $I_{nom}$  / unlimited mechanical.

IC Approval AE-1335 is noted by bold catalog number

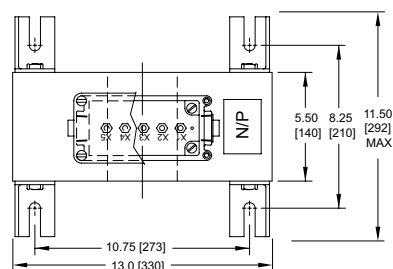
Available with a 14" primary bar kit (maximum 4000 A). Change last digit of style from 1 to 3.

# TYPE RMB(X)-631

5000 Volts  
Indoor/outdoor  
60 kV BIL  
60 Hertz



Mounting base dimensions (in. [mm])



TYPE  
RMB-631

Primary Amps	Style Number*	IEEE Metering Accuracy
200	B180200S1	0.3B-0.2
300	B180300S1	0.3B-0.5
400	B180400S1	0.3B-0.9
500	B180500S1	0.3B-1.8
600	B180600S1	0.3B-1.8
800	B180800S1	0.3B-1.8
1000	B181000S1	0.3B-1.8
1200	B181200S1	0.3B-1.8
1500	B181500S1	0.3B-1.8
2000	B182000S1*	0.3B-1.8
2500	B182500S1*	0.3B-1.8
3000	B183000S1*	0.3B-1.8
4000	B184000S1*	0.3B-1.8
600 MR	B180600M1	0.3B-1.8
1200 MR	B181200M1	0.3B-1.8
2000 MR	B182000M1*	0.3B-1.8
3000 MR	B183000M1*	0.3B-1.8
4000 MR	B184000M1*	0.3B-1.8

Available in dual-ratio designs (ratings same as single ratio above, change style digit "S" to "D")  
\* Units can also be supplied with C800 ratings (add "-512" to the end of the style number)

Window Diam. (in.)	Relay Accuracy	Rating Factor @ 30°C	Height (in.)	Width (in.)	Length (in.)	Weight (lbs.)
3.44	C100	3.0	20.3	13.0	11.50	100
3.44	C200	3.0	20.3	13.0	11.50	100
3.44	C250	3.0	20.3	13.0	11.50	100
3.44	C300	3.0	20.3	13.0	11.50	100
3.44	C400	3.0	20.3	13.0	11.50	100
3.44	C400	2.0	20.3	13.0	11.50	100
3.44	C400	2.0	20.3	13.0	11.50	100
3.44	C400	2.0	20.3	13.0	11.50	100
3.44	C400*	2.0	20.3	13.0	11.50	100
3.44	C400*	2.0	20.3	13.0	11.50	100
3.44	C400*	2.0	20.3	13.0	11.50	100
3.44	C400*	2.0	20.3	13.0	11.50	100
3.44	C400*	2.0	20.3	13.0	11.50	100
3.44	C400*	2.0	20.3	13.0	11.50	100
3.44	C400*	2.0	20.3	13.0	11.50	100
3.44	C400*	2.0	20.3	13.0	11.50	100
3.44	C400*	2.0	20.3	13.0	11.50	100
3.44	C400*	2.0	20.3	13.0	11.50	100

TYPE  
RMBX-  
631  
High  
accuracy

Primary Amps	Style Number	0.15/0.3 @ Burden	0.15/0.3 Accuracy Range
400	B180400X1	B-0.5/B-0.9	400/4 to 1200A
500	B180500X1	B-0.5/B-1.8	500/5 to 2000A
600	B180600X1	B-0.9/B-1.8	600/6 to 2400A
800	B180800X1	B-0.9/B-1.8	800/8 to 3200A
1000	B181000X1	B-1.8	10 to 4000A
1200	B181200X1	B-1.8	12 to 4800A
1500	B181500X1	B-1.8	15 to 4500A
2000	B182000X1	B-1.8	20 to 4000A

Window Diam. (in.)	Rating Factor @ 30°C	Height (in.)	Width (in.)	Length (in.)	Weight (lbs.)
3.44	3.0	20.3	13.0	11.50	100
3.44	4.0	20.3	13.0	11.50	100
3.44	4.0	20.3	13.0	11.50	100
3.44	4.0	20.3	13.0	11.50	100
3.44	4.0	20.3	13.0	11.50	100
3.44	4.0	20.3	13.0	11.50	100
3.44	3.0	20.3	13.0	11.50	100
3.44	2.0	20.3	13.0	11.50	100

One second thermal/mechanical ratings: 80 x full winding  $I_{nom}$  / unlimited mechanical.  
Available with a 19.5" primary bar kit (maximum 4000 A). Change last digit of style from 1 to 3.



## TYPE KIR-75

Equivalent to GE-ITI Model CTWH4-75-T100

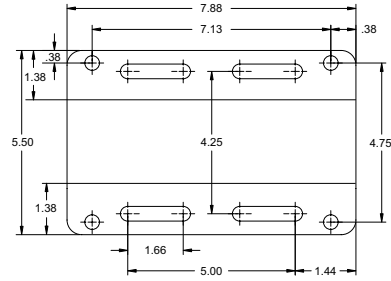
**Indoor**  
**75 kV BIL**  
 50/60 Hertz\*

**Mechanical rating:**  
 5 thru 600 Amps, 150 x normal  
 800 Amps, 110 x normal

**Thermal rating:**  
 5 thru 600 Amps, 100 x normal for 1 second  
 800 Amps, 75 x normal for 1 second



Mounting base dimensions (in)



Primary Amps	Style Number	IEEE Metering Accuracy
5	7524A02G01	0.3B-1.8
10	7524A02G02	0.3B-1.8
15	7524A02G03	0.3B-1.8
20	7524A02G04	0.3B-1.8
25	7524A02G05	0.3B-1.8
30	7524A02G06	0.3B-1.8
40	7524A02G07	0.3B-1.8
50	7524A02G08	0.3B-1.8
75	7524A02G09	0.3B-1.8
100	7524A02G10	0.3B-1.8
150	7524A02G11	0.3B-1.8
200	7524A02G12	0.3B-1.8
300	7524A02G13	0.3B-1.8
400	7524A02G14	0.3B-1.8
600	7524A02G15	0.3B-1.8
800	7524A02G16	0.3B-1.8
1200	7524A02G19	0.3B-1.8

Relay Accuracy*	Rating Factor	Height (in.)	Width (in.)	Length (in.)	Weight (lbs.)
T100	1.5	10.31	6.13	16.0	35
T100	1.5	10.31	6.13	16.0	35
T100	1.5	10.31	6.13	16.0	35
T100	1.5	10.31	6.13	16.0	35
T100	1.5	10.31	6.13	16.0	35
T100	1.5	10.31	6.13	16.0	35
T100	1.5	10.31	6.13	16.0	35
T100	1.5	10.31	6.13	16.0	35
T100	1.5	10.31	6.13	16.0	35
T100	1.5	10.31	6.13	16.0	35
T100	1.5	10.31	6.13	16.0	35
T100	1.5	10.31	6.13	16.0	35
T100	1.5	10.31	6.13	16.0	35
T100	1.5	10.31	6.13	16.0	39
T100	1.5	10.31	6.13	16.0	39
T100	1.33	10.31	6.13	16.0	39
T100	1.0	10.31	6.13	16.0	39

\* Accuracy 20% less at 50 Hz

# TYPE KIT-75

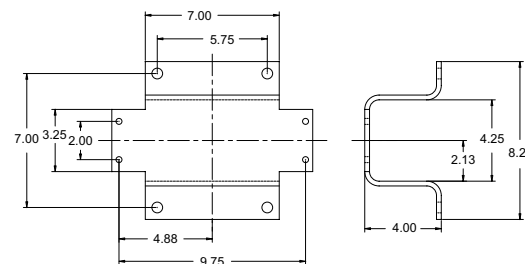
Indoor  
75 kV BIL  
60 Hertz\*



**Mechanical Rating:**  
All units effectively unlimited

**Thermal Rating:**  
800 and 1200 amps: 80 x normal, 1 sec  
1500 amps & above: 100 x normal, 1 sec

## Mounting base dimensions (in)



	Primary Amps	Style Number	IEEE Metering Accuracy
TYPE KIT-75 <b>Tube type</b> 3.25" ID	800	7524A43G01	0.3B-0.9
	1200	7524A43G02	0.3B-1.8
	1500	7524A43G03	0.3B-1.8
	2000	7524A43G04	0.3B-1.8
	3000	7524A43G05	0.3B-1.8
	4000	7524A43G06	0.3B-1.8
	600/1200	7524A43G07	0.3B-1.8/0.3B-1.8
	1000/2000	7524A43G08	0.3B-0.9/0.3B-1.8
	2000/4000	7524A43G09	0.3B-1.8/0.3B-1.8

Rating Factor	Relay Accuracy*	Height (in.)	Width (in.)	Length (in.)	Weight (lbs.)
3.0	C100	15.37	10.50	13.25	44
2.0	C200	15.37	10.50	13.25	44
2.0	C200	15.37	10.50	13.25	44
2.0	C200	15.37	10.50	13.25	44
1.5	C200	15.37	10.50	13.25	44
1.5	C200	15.37	10.50	13.25	44
2.0	C100/C200	15.37	10.50	13.25	44
2.0	C100/C200	15.37	10.50	13.25	44
1.5	C100/C200	15.37	10.50	13.25	44

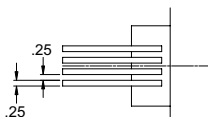
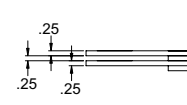
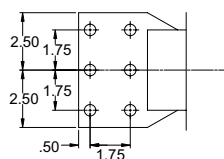
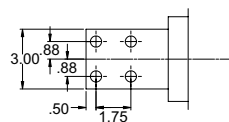
	Primary Amps	Style Number	IEEE Metering Accuracy
TYPE KIT-75 <b>Bar type</b>	800	923A274G01	0.3B-0.9
	1200	923A274G02	0.3B-1.8
	1500	923A274G03	0.3B-1.8
	2000	923A274G04	0.3B-1.8
	3000	923A274G05	0.3B-1.8
	4000	923A274G06	0.3B-1.8
	600/1200	923A274G07	0.3B-0.5/0.3B-1.8
	1000/2000	923A274G08	0.3B-0.9/0.3B-1.8
	2000/4000	923A274G09	0.3B-1.8/0.3B-1.8

Rating Factor	Relay Accuracy*	Height (in.)	Width (in.)	Length (in.)	Weight (lbs.)
2.0	C100	15.38	10.50	22.62	70
2.0	C200	15.38	10.50	22.62	70
2.0	C200	15.38	10.50	22.62	70
1.5	C200	15.38	10.50	22.62	70
1.33	C200	15.38	10.50	22.62	70
1.0	C200	15.38	10.50	22.62	70
2.0	C100/C200	15.38	10.50	22.62	70
1.5	C100/C200	15.38	10.50	22.62	70
1.0	C200/C200	15.38	10.50	22.62	70

## Bar dimensions:

Primary Terminals  
1200 Amperes and Below

Primary Terminals  
Above 1200 Amperes



Contact factory for 0.15S accuracy class

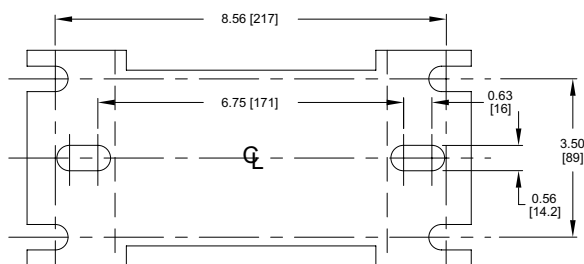
\* Accuracy 20% less at 50 Hertz

# TYPE HSB-994

8700 Volts  
Indoor/outdoor  
75 kV BIL  
60 Hertz



Mounting base dimensions (in. [mm])



Primary Amps	Style Number	IEEE Metering Accuracy
100	C170100S1	0.3B-0.1
200	C170200S1	0.3B-0.2
300	C170300S1	0.3B-0.2
400	C170400S1	0.3B-0.5
500	C170500S1	0.3B-0.5
600	C170600S1	0.3B-0.5
800	C170800S1	0.3B-0.9
1000	C171000S1	0.3B-1.8
1200	C171200S1	0.3B-1.8
1500	C171500S1	0.3B-1.8
2000	C172000S1	0.3B-1.8
2500	C172500S1	0.3B-1.8
3000	C173000S1	0.3B-1.8
4000	C174000S1	0.3B-1.8
200/400	C170200D1	0.3B-0.2/0.3B-0.5
300/600	C170300D1	0.3B-0.2/0.3B-0.5
400/800	C170400D1	0.3B-0.5/0.3B-0.9
600/1200	C170600D1	0.3B-0.5/0.3B-1.8
1000/2000	C171000D1	0.3B-1.8/0.3B-1.8
1500/3000	C171500D1	0.3B-1.8/0.3B-1.8
2000/4000	C172000D1	0.3B-1.8/0.3B-1.8

Window Diam. (in.)	Relay Accuracy	Rating Factor @ 30°C	Height (in.)	Width (in.)	Length (in.)	Weight (lbs.)
3.44	C10	2.0	12.0	9.0	9.75	40
3.44	C20	2.0	12.0	9.0	9.75	40
3.44	C50	2.0	12.0	9.0	9.75	40
3.44	C75	2.0	12.0	9.0	9.75	40
3.44	C100	2.0	12.0	9.0	9.75	40
3.44	C100	2.0	12.0	9.0	9.75	40
3.44	C150	2.0	12.0	9.0	9.75	40
3.44	C200	2.0	12.0	9.0	9.75	40
3.44	C200	2.0	12.0	9.0	9.75	40
3.44	C200	2.0	12.0	9.0	9.75	40
3.44	C200	2.0	12.0	9.0	9.75	40
3.44	C200	1.0	12.0	9.0	9.75	40
3.44	C200	1.0	12.0	9.0	9.75	40
3.44	C20/C40	2.0/2.0	12.0	9.0	9.75	40
3.44	C50/C100	2.0/2.0	12.0	9.0	9.75	40
3.44	C75/C150	2.0/2.0	12.0	9.0	9.75	40
3.44	C100/C200	2.0/2.0	12.0	9.0	9.75	40
3.44	C100/C200	2.0/2.0	12.0	9.0	9.75	40
3.44	C100/C200	2.0/1.0	12.0	9.0	9.75	40
3.44	C100/C200	2.0/1.0	12.0	9.0	9.75	40

Available in multi-ratio designs (full tap ratings same as single ratio above).

One second thermal/mechanical ratings: 60 x full winding  $I_{nom}$  / unlimited mechanical.

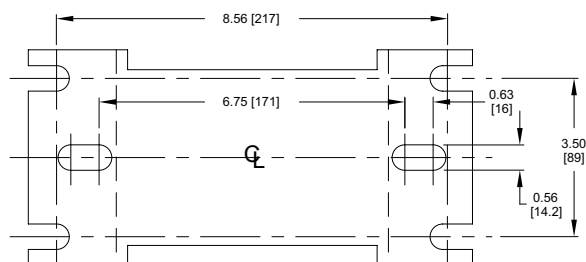
Available with a 14" primary bar kit (maximum 4000 A). Change last digit of style from 1 to 3.

# TYPE HTD-994

8700 Volts  
Indoor/outdoor  
75 kV BIL  
60 Hertz



Mounting base dimensions (in. [mm])



Primary Amps	Style Number	IEEE Metering Accuracy
100	C130100S1	-
200	C130200S1	0.3B-0.2
300	C130300S1	0.3B-0.2
400	C130400S1	0.3B-0.5
500	C130500S1	0.3B-0.5
600	C130600S1	0.3B-0.5
800	C130800S1	0.3B-0.9
1000	C131000S1	0.3B-1.8
1200	C131200S1	0.3B-1.8
1500	C131500S1	0.3B-1.8
2000	C132000S1	0.3B-1.8
2500	C132500S1	0.3B-1.8
3000	C133000S1	0.3B-1.8
4000	C134000S1	0.3B-1.8
200/400	C130200D1	0.3B-0.2/0.3B-0.5
300/600	C130300D1	0.3B-0.2/0.3B-0.5
400/800	C130400D1	0.3B-0.5/0.3B-0.9
600/1200	C130600D1	0.3B-0.5/0.3B-1.8
1000/2000	C131000D1	0.3B-1.8/0.3B-1.8
1500/3000	C131500D1	0.3B-1.8/0.3B-1.8
2000/4000	C132000D1	0.3B-1.8/0.3B-1.8

Window Diam. (in.)	Relay Accuracy	Rating Factor @ 30°C	Height (in.)	Width (in.)	Length (in.)	Weight (lbs.)
3.44	C10	2.0	14.88	9.0	9.75	45
3.44	C20	2.0	14.88	9.0	9.75	45
3.44	C50	2.0	14.88	9.0	9.75	45
3.44	C75	2.0	14.88	9.0	9.75	45
3.44	C100	2.0	14.88	9.0	9.75	45
3.44	C100	2.0	14.88	9.0	9.75	45
3.44	C150	2.0	14.88	9.0	9.75	45
3.44	C200	2.0	14.88	9.0	9.75	45
3.44	C200	2.0	14.88	9.0	9.75	45
3.44	C200	2.0	14.88	9.0	9.75	45
3.44	C200	2.0	14.88	9.0	9.75	45
3.44	C200	1.0	14.88	9.0	9.75	45
3.44	C200	1.0	14.88	9.0	9.75	45
3.44	C20/C40	2.0/2.0	14.88	9.0	9.75	45
3.44	C50/C100	2.0/2.0	14.88	9.0	9.75	45
3.44	C75/C150	2.0/2.0	14.88	9.0	9.75	45
3.44	C100/C200	2.0/2.0	14.88	9.0	9.75	45
3.44	C100/C200	2.0/2.0	14.88	9.0	9.75	45
3.44	C100/C200	2.0/1.0	14.88	9.0	9.75	45
3.44	C100/C200	2.0/1.0	14.88	9.0	9.75	45

Available in multi-ratio designs (full tap ratings same as single ratio above).

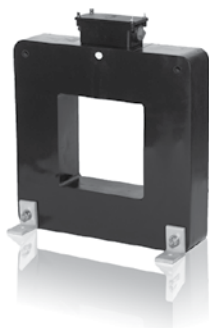
One second thermal/mechanical ratings: 60 x full winding  $I_{nom}$  / unlimited mechanical.

Available with a 14" primary bar kit (maximum 4000 A). Change last digit of style from 1 to 3.

# 5 kV - 25 kV Indoor Current Transformers

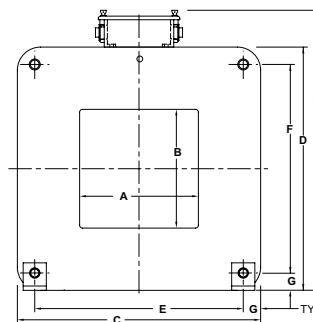
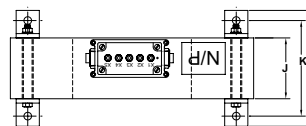
## TYPE STBB-991/992

8700 Volts  
Indoor/outdoor  
75 kV BIL  
60 Hertz



**Window sizes:**

STBB-991: 10.25" x 10.25"  
STBB-992: 12.25" x 12.25"



1VAP701171-DB

\*Dimensions listed below

Ratio	Style Number	
	STBB-991	STBB-992
600:5	C150600S1	C160600S1
800:5	C150800S1	C160800S1
1000:5	C151000S1	C161000S1
1200:5	C151200S1	C161200S1
1500:5	C151500S1	C161500S1
2000:5	C152000S1	C162000S1
2500:5	C152500S1	C162500S1
3000:5	C153000S1	C163000S1
4000:5	C154000S1	C164000S1
5000:5	C155000S1	C165000S1
6000:5	C156000S1	C166000S1
8000:5	C158000S1	C168000S1
9000:5	C159000S1	C169000S1
10000:5	C1510000S1	C1610000S1
12000:5	C1512000S1	C1612000S1
1000/2000:5	C151000D1	C161000D1
2000/4000:5	C152000D1	C162000D1
3000/6000:5	C153000D1	C163000D1
4000/8000:5	C154000D1	C164000D1
5000/10000:5	C155000D1	C165000D1
6000/8000:5	C156080D1	C166080D1
6000/10000:5	C1560100D1	C1660100D1
6000/12000:5	C156000D1	C166000D1
8000/12000:5	C1580120D1	C1680120D1
10000/12000:5	C1510012D1	C1610012D1

IEEE Metering Accuracy	Relay Accuracy	Rating Factor @ 30°C
0.3B-0.2	C100	2.0
0.3B-0.2	C100	2.0
0.3B-0.5	C150	2.0
0.3B-0.9	C200	2.0
0.3B-0.9	C200	2.0
0.3B-1.8	C200	2.0
0.3B-1.8	C300	2.0
0.3B-1.8	C400	2.0
0.3B-1.8	C400	2.0
0.3B-1.8	C600	1.5
0.3B-1.8	C800	1.5
0.3B-1.8	C800	1.5
0.3B-1.8	C800	1.5
0.3B-1.8	C800	1.5
0.3B-1.8	C800	1.5
0.3B-0.5/0.3B-1.8	C100/C200	2.0/2.0
0.3B-1.8/0.3B-1.8	C200/C400	2.0/1.5
0.3B-1.8/0.3B-1.8	C400/C800	2.0/1.5
0.3B-1.8/0.3B-1.8	C400/C800	2.0/1.5
0.3B-1.8/0.3B-1.8	C400/C800	2.0/1.0
0.3B-1.8/0.3B-1.8	C400/C800	2.0/1.5
0.3B-1.8/0.3B-1.8	C400/C800	1.5/1.0
0.3B-1.8/0.3B-1.8	C400/C800	2.0/1.5
0.3B-1.8/0.3B-1.8	C400/C800	1.5/1.0

Available in multi-ratio designs (full tap ratings same as single ratio above).

One second thermal/mechanical ratings: 80 x full winding  $I_{nom}$  / unlimited mechanical.

### Unit Dimensions

STBB	A	B	C	D	E	F
-991	10.25	10.25	21.0	21.0	18.0	18.0
-992	12.25	12.25	23.0	23.0	20.0	20.0
STBB	G	H	J	K	L	
-991	1.5	24.0	*	J + 3.0	J + 6.0	
-992	1.5	27.0	*	J + 3.0	J + 6.0	

\* 3.5" [89] minimum, 8.5" [216] maximum. Based on ratio and accuracy.  
Note: For dimensions A and B, window is geometrically centered.

# 5 kV - 25 kV Indoor Current Transformers

## TYPE KIR-11

1VAP429141-DB

Equivalent to GE-ITI Model CTWH5-B-110-T200

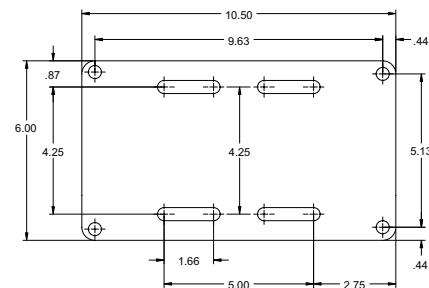
**110 kV BIL**  
Indoor  
50/60 Hertz



**Mechanical Rating:**  
5 thru 600 Amps, 150 x normal  
800 Amps, 110 x normal

**Thermal Rating:**  
5 thru 600 Amps, 100 x normal, 1 sec  
800 Amps, 75 x normal, 1 sec

**Mounting Base Dimensions (in.)**



### KIR-11 Single Ratio

Primary Amps	Style Number	Rating Factor @ 30°C
5	7524A03G01	1.5
10	7524A03G02	1.5
15	7524A03G03	1.5
20	7524A03G04	1.5
25	7524A03G05	1.5
30	7524A03G06	1.5
40	7524A03G07	1.5
50	7524A03G08	1.5
75	7524A03G09	1.5
100	7524A03G10	1.5
150	7524A03G11	1.5
200	7524A03G12	1.5
300	7524A03G13	1.5
400	7524A03G14	1.5
500	7524A03G15	1.0
600	7524A03G16	1.5
800	7524A03G17	1.33
1000	7524A03G21	1.0
1200	7524A03G18	1.0

### KIR-11 Double Ratio

5/10	7524A04G01	2.0/1.5
10/20	7524A04G02	2.0/1.5
20/40	7524A04G03	2.0/1.5
25/50	7524A04G04	2.0/1.5
50/100	7524A04G05	2.0/1.5
75/150	7524A04G06	2.0/1.5
100/200	7524A04G07	2.0/1.5
150/300	7524A04G08	2.0/1.5
200/400	7524A04G09	2.0/1.5
300/600	7524A04G10	2.0/1.5
400/800	7524A04G11	2.0/1.33
600/1200	7524A04G14	2.0/1.0

IEEE Metering Accuracy	Relay Accuracy	Height (in.)	Width (in.)	Length (in.)	Weight (lb.)
0.3B-1.8	T200	9.87	6.75	23.0	56
0.3B-1.8	T200	9.87	6.75	23.0	56
0.3B-1.8	T200	9.87	6.75	23.0	56
0.3B-1.8	T200	9.87	6.75	23.0	56
0.3B-1.8	T200	9.87	6.75	23.0	56
0.3B-1.8	T200	9.87	6.75	23.0	56
0.3B-1.8	T200	9.87	6.75	23.0	56
0.3B-1.8	T200	9.87	6.75	23.0	56
0.3B-1.8	T200	9.87	6.75	23.0	56
0.3B-1.8	T200	9.87	6.75	23.0	56
0.3B-1.8	T200	9.87	6.75	23.0	56
0.3B-1.8	T200	9.87	6.75	23.0	56
0.3B-1.8	T200	9.87	6.75	23.0	56
0.3B-1.8	T200	9.87	6.75	23.0	56
0.3B-1.8	T200	9.87	6.75	23.0	56
0.3B-1.8	T200	9.87	6.75	23.0	56
0.3B-1.8	T200	9.87	6.75	23.0	56
0.3B-1.8	T200	9.87	6.75	23.0	61
0.3B-1.8	T200	9.87	6.75	23.0	61
0.3B-1.8	T200	9.87	6.75	23.0	61
0.3B-1.8	T200	9.87	6.75	23.0	61
0.3B-1.8	T200	9.87	6.75	23.0	61
0.3B-1.8	T200	9.87	6.75	23.0	61
0.3B-1.8	T200	9.87	6.75	23.0	61
0.3B-1.8	T200	9.87	6.75	23.0	61
0.3B-1.8 Full 0.3B-0.9 Tap	T90/T200	9.87	6.75	23	56
0.3B-1.8 Full 0.3B-0.9 Tap	T90/T200	9.87	6.75	23	56
0.3B-1.8 Full 0.3B-0.9 Tap	T90/T200	9.87	6.75	23	56
0.3B-1.8 Full 0.3B-0.9 Tap	T90/T200	9.87	6.75	23	56
0.3B-1.8 Full 0.3B-0.9 Tap	T90/T200	9.87	6.75	23	56
0.3B-1.8 Full 0.3B-0.9 Tap	T90/T200	9.87	6.75	23	56
0.3B-1.8 Full 0.3B-0.9 Tap	T90/T200	9.87	6.75	23	56
0.3B-1.8 Full 0.3B-0.9 Tap	T90/T200	9.87	6.75	23	61
0.3B-1.8 Full 0.3B-0.9 Tap	T90/T200	9.87	6.75	23	61
0.3B-1.8 Full 0.3B-0.9 Tap	T90/T200	9.87	6.75	23	61
0.3B-1.8 Full 0.3B-0.9 Tap	T100/T200	9.87	6.75	23	61
0.3B-1.8 Full 0.3B-0.9 Tap	T90/T200	9.87	6.75	23	61
0.3B-1.8 Full 0.3B-0.9 Tap	T90/T200	9.87	6.75	23	62

\* Accuracy 20% less at 50 Hz

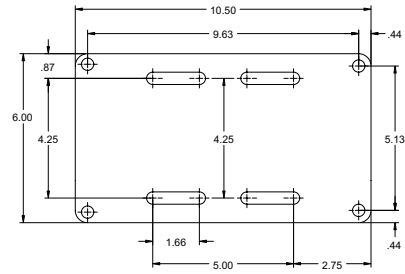
# TYPE KIR-11ES

**Indoor**  
**15 kV, 110 kV BIL**  
 60 Hertz\*  
**Special High Accuracy**

**Thermal Rating:**  
 5 thru 600 Amps, 100 x normal for 1 second  
 800 Amps, 75 x normal for 1 second



Mounting base dimensions (in)



Primary Amps	Style Number	IEEE Metering Accuracy	Mechanical rating
5	923A397G01	0.15SB-0.5	150
10	923A397G02	0.15SB-0.5	150
15	923A397G03	0.15SB-0.5	150
20	923A397G04	0.15SB-0.5	150
25	923A397G05	0.15SB-0.5	150
30	923A397G06	0.15SB-0.5	150
40	923A397G07	0.15SB-0.5	150
50	923A397G08	0.15SB-0.5	150
75	923A397G09	0.15SB-0.5	150
100	923A397G10	0.15SB-0.5	150
150	923A397G11	0.15SB-0.5	150
200	923A397G12	0.15SB-0.5	150
300	923A397G13	0.15SB-0.5	150
400	923A397G14	0.15SB-0.5	150
500	923A397G15	0.15SB-0.5	110
600	923A397G16	0.15SB-0.5	150
800	923A397G17	0.15SB-0.5	110
1000	923A397G21	0.15SB-0.5	110
1200	923A397G18	0.15SB-0.5	110

Relay Accuracy	Rating Factor	Height (in.)	Width (in.)	Length (in.)	Weight (lbs.)
T200	1.5	9.87	6.75	23	56
T200	1.5	9.87	6.75	23	56
T200	1.5	9.87	6.75	23	56
T200	1.5	9.87	6.75	23	56
T200	1.5	9.87	6.75	23	56
T200	1.5	9.87	6.75	23	56
T200	1.5	9.87	6.75	23	56
T200	1.5	9.87	6.75	23	56
T200	1.5	9.87	6.75	23	56
T200	1.5	9.87	6.75	23	56
T200	1.5	9.87	6.75	23	56
T200	1.5	9.87	6.75	23	56
T200	1.5	9.87	6.75	23	56
T200	1.5	9.87	6.75	23	56
T200	1.5	9.87	6.75	23	56
T200	1.5	9.87	6.75	23	56
T200	1.5	9.87	6.75	23	56
T200	1.5	9.87	6.75	23	56
T200	1.5	9.87	6.75	23	56
T200	1.5	9.87	6.75	23	56
T200	1.0	9.87	6.75	23	61
T200	1.5	9.87	6.75	23	61
T200	1.33	9.87	6.75	23	61
T200	1.0	9.87	6.75	23	61
T200	1.0	9.87	6.75	23	62

\* Accuracy 20% less at 50 Hz

# TYPE KIT-11

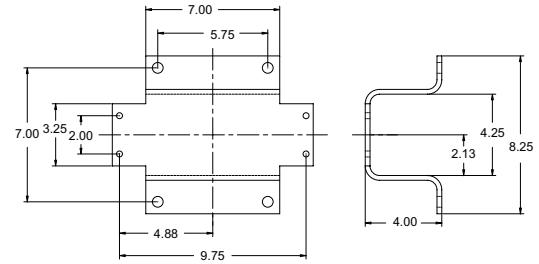
**Indoor**  
**110 kV BIL**  
 60 Hertz\*



**Mechanical Rating:**  
 All units effectively unlimited

**Thermal Rating:**  
 800 and 1200 amps: 80 x normal, 1 sec  
 1500 amps & above: 100 x normal, 1 sec

## Mounting base dimensions (in)



Primary Amps	Style Number	IEEE Metering Accuracy
800	7524A44G01	0.3B-0.9
1200	7524A44G02	0.3B-1.8
1500	7524A44G03	0.3B-1.8
2000	7524A44G04	0.3B-1.8
3000	7524A44G05	0.3B-1.8
4000	7524A44G06	0.3B-1.8
600/1200	7524A44G07	0.3B-1.8/0.3B-1.8
1000/2000	7524A44G08	0.3B-0.9/0.3B-1.8
2000/4000	7524A44G09	0.3B-1.8/0.3B-1.8

TYPE  
 KIT-11  
**Tube type**  
 3.25" ID

Relay* Accuracy	Rating Factor	Height (in.)	Width (in.)	Length (in.)	Weight (lbs.)
3.0	C100	15.37	10.50	17.75	48
2.0	C200	15.37	10.50	17.75	48
2.0	C200	15.37	10.50	17.75	48
2.0	C200	15.37	10.50	17.75	48
1.5	C200	15.37	10.50	17.75	48
1.5	C200	15.37	10.50	17.75	48
2.0	C100/C200	15.37	10.50	17.75	48
2.0	C100/C200	15.37	10.50	17.75	48
1.5	C100/C200	15.37	10.50	17.75	48

Primary Amps	Style Number	IEEE Metering Accuracy
800	923A277G01	0.3B-0.9
1200	923A277G02	0.3B-1.8
1500	923A277G03	0.3B-1.8
2000	923A277G12	0.3B-1.8
3000	923A277G05	0.3B-1.8
4000	923A277G06	0.3B-1.8
600/1200	923A277G07	0.3B-0.5/0.3B-1.8
1000/2000	923A277G08	0.3B-0.9/0.3B-1.8
2000/4000	923A277G14	0.3B-1.8/0.3B-1.8

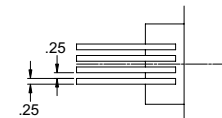
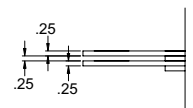
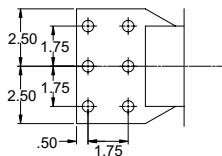
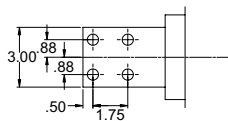
TYPE  
 KIT-11  
**Bar type**

Relay* Accuracy	Rating Factor	Height (in.)	Width (in.)	Length (in.)	Weight (lbs.)
2.0	C100	15.38	10.50	27.12	78
2.0	C200	15.38	10.50	27.12	78
2.0	C200	15.38	10.50	27.12	78
2.0	C400	15.38	10.50	27.12	78
1.33	C200	15.38	10.50	27.12	78
1.0	C200	15.38	10.50	27.12	78
2.0	C100/C200	15.38	10.50	27.12	78
1.5	C100/C200	15.38	10.50	27.12	78
1.33	C200/C200	15.38	10.50	27.12	78

## Bar dimensions:

Primary Terminals  
 1200 Amperes and Below

Primary Terminals  
 Above 1200 Amperes



Contact factory for 0.15S accuracy class

\* Accuracy 20% less at 50 Hertz



# TYPE KIT-15

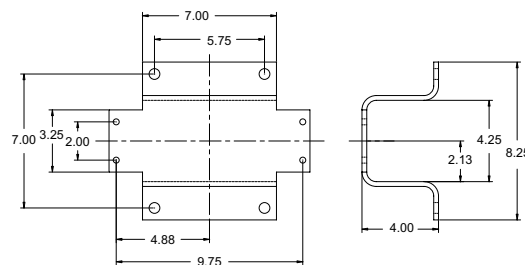
**Indoor**  
150 kV BIL  
60 Hertz\*



**Mechanical Rating:**  
All units effectively unlimited

**Thermal Rating:**  
800 and 1200 amps: 80 x normal, 1 sec  
1500 amps and above: 100 x normal, 1 sec

## Mounting base dimensions (in)



	Primary Amps	Style Number	IEEE Metering Accuracy
TYPE	800	7524A45G01	0.3B-0.9
	1200	7524A45G02	0.3B-1.8
KIT-15	1500	7524A45G03	0.3B-1.8
	2000	7524A45G04	0.3B-1.8
<b>Tube type</b> 3.25" ID	3000	7524A45G05	0.3B-1.8
	4000	7524A45G06	0.3B-1.8
	600/1200	7524A45G07	0.3B-1.8/0.3B-1.8
	1000/2000	7524A45G08	0.3B-0.9/0.3B-1.8
	2000/4000	7524A45G09	0.3B-1.8/0.3B-1.8

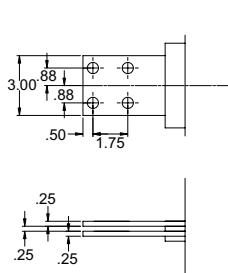
Relay* Accuracy	Rating Factor	Height (in.)	Width (in.)	Length (in.)	Weight (lbs.)
3.0	C100	15.37	10.50	26.75	50
2.0	C200	15.37	10.50	26.75	50
2.0	C200	15.37	10.50	26.75	50
2.0	C200	15.37	10.50	26.75	50
1.5	C200	15.37	10.50	26.75	50
1.5	C200	15.37	10.50	26.75	50
2.0	C100/C200	15.37	10.50	26.75	50
2.0	C100/C200	15.37	10.50	26.75	50
1.5	C100/C200	15.37	10.50	26.75	50

	Primary Amps	Style Number	IEEE Metering Accuracy
TYPE	800	923A279G01	0.3B-0.9
	1200	923A279G02	0.3B-1.8
KIT-15	1500	923A279G03	0.3B-1.8
	2000	923A279G12	0.3B-1.8
<b>Bar type</b>	3000	923A279G05	0.3B-1.8
	4000	923A279G06	0.3B-1.8
	600/1200	923A279G07	0.3B-0.5/0.3B-1.8
	1000/2000	923A279G08	0.3B-0.9/0.3B-1.8
	2000/4000	923A279G14	0.3B-1.8/0.3B-1.8

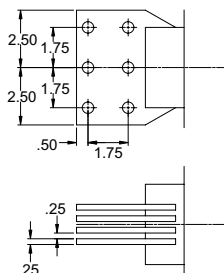
Relay* Accuracy	Rating Factor	Height (in.)	Width (in.)	Length (in.)	Weight (lbs.)
2.0	C100	15.38	10.50	36.12	89
2.0	C200	15.38	10.50	36.12	89
2.0	C200	15.38	10.50	36.12	89
1.5	C200	15.38	10.50	36.12	89
1.33	C200	15.38	10.50	36.12	89
1.0	C200	15.38	10.50	36.12	89
2.0	C100/C200	15.38	10.50	36.12	89
1.5	C100/C200	15.38	10.50	36.12	89
1.0	C200/C200	15.38	10.50	36.12	89

## Bar dimensions:

**Primary Terminals**  
1200 Amperes and Below



**Primary Terminals**  
Above 1200 Amperes



Contact factory for 0.15S accuracy class

\* Accuracy 20% less at 50 Hertz

# TYPE KOT-60

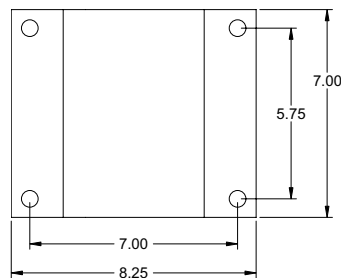
**Outdoor**  
5 kV, 60 kV BIL  
50/60 Hertz\*



**Mechanical rating:**  
All units effectively unlimited

**Thermal rating:**  
800 and 1200 Amps: 80 x normal, 1 second  
1500 Amps and above: 100 x normal, 1 second

## Mounting base dimensions (in)



	Primary Amps	Style Number	IEEE Metering Accuracy
TYPE KOT-60 <b>Tube type</b> 3.25" ID	800	7524A32G01	0.3B-0.9
	1200	7524A32G02	0.3B-1.8
	1500	7524A32G03	0.3B-1.8
	2000	7524A32G04	0.3B-1.8
	3000	7524A32G05	0.3B-1.8
	4000	7524A32G06	0.3B-1.8
	600/1200	7524A32G07	0.3B-0.5/B-1.8
	1000/2000	7524A32G08	0.3B-0.9/B-1.8
	2000/4000	7524A32G09	0.3B-1.8/B-1.8

	Primary Amps	Style Number	IEEE Metering Accuracy
TYPE KOT-60 <b>Bar type</b>	800	923A271G01	0.3B-0.9
	1200	923A271G02	0.3B-1.8
	1500	923A271G03	0.3B-1.8
	2000	923A271G04	0.3B-1.8
	3000	923A271G05	0.3B-1.8
	4000	923A271G06	0.3B-1.8
	600/1200	923A271G07	0.3B-0.5/B-1.8
	1000/2000	923A271G08	0.3B-0.9/B-1.8
	2000/4000	923A271G09	0.3B-1.8/B-1.8

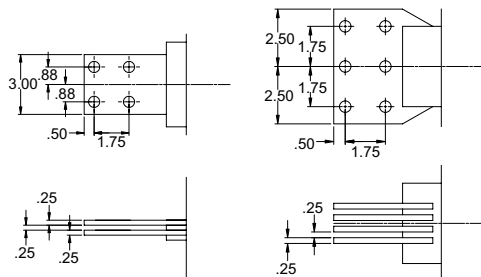
Relay* Accuracy	Rating Factor	Height (in.)	Width (in.)	Length (in.)	Weight (lbs.)
C100	2.0	17.25	10.50	10.25	40
C200	2.0	17.25	10.50	10.25	40
C200	2.0	17.25	10.50	10.25	40
C200	2.0	17.25	10.50	10.25	40
C200	1.5	17.25	10.50	10.25	40
C200	1.5	17.25	10.50	10.25	40
C100/C200	3.0/2.0	17.25	10.50	10.25	40
C100/C200	3.0/2.0	17.25	10.50	10.25	40
C100/C200	2.0/1.5	17.25	10.50	10.25	40

Relay* Accuracy	Rating Factor	Height (in.)	Width (in.)	Length (in.)	Weight (lbs.)
C100	2.0	17.25	10.50	19.62	62
C200	2.0	17.25	10.50	19.62	62
C200	2.0	17.25	10.50	19.62	62
C200	1.50	17.25	10.50	19.62	62
C200	1.33	17.25	10.50	19.62	73
C200	1.00	17.25	10.50	19.62	73
C100/C200	3.0/2.0	17.25	10.50	19.62	62
C100/C200	2.0/1.5	17.25	10.50	19.62	62
C100/C200	1.5/1.0	17.25	10.50	19.62	73

## Bar dimensions:

Primary terminals:  
1200 amperes and below

Primary terminals:  
Above 1200 amperes



Contact factory for 0.15S accuracy class

\* Accuracy 20% less at 50 Hertz

# TYPE KOT-75

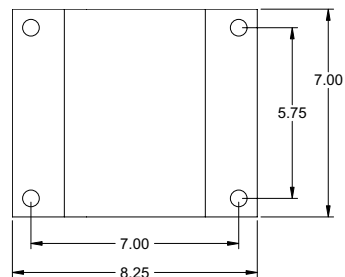
Outdoor  
8.7 kV, 75 kV BIL  
50/60 Hertz\*



**Mechanical rating:**  
All units effectively unlimited

**Thermal rating:**  
800 and 1200 Amps: 80 x normal, 1 second  
1500 Amps and above: 100 x normal, 1 second

Mounting base dimensions (in)



Primary Amps	Style Number	IEEE Metering Accuracy
800	7524A33G01	0.3B-0.9
1200	7524A33G02	0.3B-1.8
1500	7524A33G03	0.3B-1.8
2000	7524A33G04	0.3B-1.8
3000	7524A33G05	0.3B-1.8
4000	7524A33G06	0.3B-1.8
600/1200	7524A33G07	0.3B-0.5/B-1.8
1000/2000	7524A33G08	0.3B-0.9/B-1.8
2000/4000	7524A33G09	0.3B-1.8/B-1.8

TYPE  
KOT-75  
**Tube type**  
3.25" ID

Relay* Accuracy	Rating Factor	Height (in.)	Width (in.)	Length (in.)	Weight (lbs.)
C100	2.0	17.25	10.50	13.25	43
C200	2.0	17.25	10.50	13.25	43
C200	2.0	17.25	10.50	13.25	43
C200	2.0	17.25	10.50	13.25	43
C200	1.5	17.25	10.50	13.25	43
C200	1.5	17.25	10.50	13.25	43
C100/C200	3.0/2.0	17.25	10.50	13.25	43
C100/C200	3.0/2.0	17.25	10.50	13.25	43
C100/C200	2.0/1.5	17.25	10.50	13.25	43

Primary Amps	Style Number	IEEE Metering Accuracy
800	923A273G01	0.3B-0.9
1200	923A273G02	0.3B-1.8
1500	923A273G03	0.3B-1.8
2000	923A273G04	0.3B-1.8
3000	923A273G05	0.3B-1.8
4000	923A273G06	0.3B-1.8
600/1200	923A273G07	0.3B-0.5/B-1.8
1000/2000	923A273G08	0.3B-0.9/B-1.8
2000/4000	923A273G09	0.3B-1.8/B-1.8

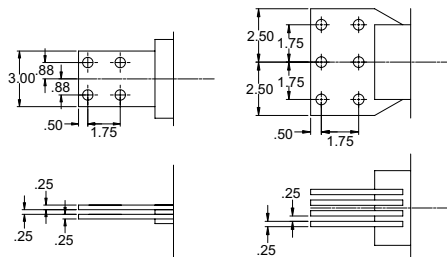
Type  
KOT-75  
**Bar type**

Relay* Accuracy	Rating Factor	Height (in.)	Width (in.)	Length (in.)	Weight (lbs.)
C100	2.0	17.25	10.50	22.62	67
C200	2.0	17.25	10.50	22.62	67
C200	2.0	17.25	10.50	22.62	67
C200	1.50	17.25	10.50	22.62	67
C200	1.33	17.25	10.50	22.62	79
C200	1.00	17.25	10.50	22.62	79
C100/C200	3.0/2.0	17.25	10.50	22.62	67
C100/C200	2.0/1.5	17.25	10.50	22.62	67
C100/C200	1.5/1.0	17.25	10.50	22.62	79

**Bar dimensions:**

Primary terminals:  
1200 amperes and below

Primary terminals:  
Above 1200 amperes



Contact factory for 0.15S accuracy class

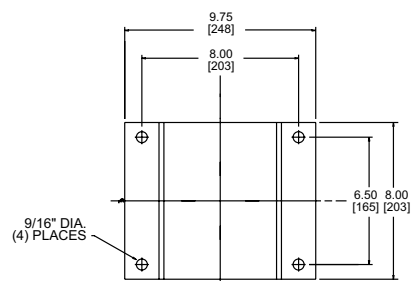
\* Accuracy 20% less at 50 Hertz

# TYPE LG(X)-15-585

Outdoor  
15 kV, 110 kV BIL  
60 Hertz  
Tube type: 4.5" ID



Mounting base dimensions (in. [mm])



	Primary Amps	Style Number	IEEE Metering Accuracy
TYPE LG-15-585	200	<b>D030200S1</b>	0.3B-0.2
	300	<b>D030300S1</b>	0.3B-0.5
	400	<b>D030400S1</b>	0.3B-0.9
	500	<b>D030500S1</b>	0.3B-1.8
	600	<b>D030600S1</b>	0.3B-1.8
	800	<b>D030800S1</b>	0.3B-1.8
	1000	<b>D031000S1</b>	0.3B-1.8
	1200	<b>D031200S1</b>	0.3B-1.8
	1500	<b>D031500S1</b>	0.3B-1.8
	2000	<b>D032000S1</b>	0.3B-1.8
Available in multi-ratio designs (full tap ratings same as single ratios)	2500	<b>D032500S1</b>	0.3B-1.8
	3000	<b>D033000S1</b>	0.3B-1.8
	4000	<b>D034000S1</b>	0.3B-1.8
	5000	<b>D035000S1</b>	0.3B-1.8
	200/400	<b>D030200D1</b>	0.3B-0.2/0.3B-0.9
	300/600	<b>D030300D1</b>	0.3B-0.5/0.3B-1.8
	400/800	<b>D030400D1</b>	0.3B-0.9/0.3B-1.8
	600/1200	<b>D030600D1</b>	0.3B-1.8/0.3B-1.8
	1000/2000	<b>D031000D1</b>	0.3B-1.8/0.3B-1.8
	1500/3000	<b>D031500D1</b>	0.3B-1.8/0.3B-1.8

One second thermal/mechanical rating: 80 x full winding I<sub>nom</sub> /unlimited mechanical.

IC Approval AE-0703 is noted by bold style number.  
Available with a 30.5" primary bar kit (maximum 5500 A). Change last digit of style from 1 to 3.

	Primary Amps	Style Number	IEEE Metering Accuracy
TYPE LGX-15-585 High accuracy	200	D030200X1NC	0.15S-B0.1/0.3S-B0.2
	300	D030300X1NC	0.15S-B0.5/0.3S-B1.8
	400	D030400X1NC	0.15S-B0.5/0.3S-B1.8
	500	D030500X1NC	0.15S-B0.5/0.3S-B1.8
	600	D030600X1NC	0.15S-B0.9/0.3S-B1.8
	800 <sup>1</sup>	D030800X1NC	0.15S-B0.9/0.3S-B1.8
	1000 <sup>1</sup>	D031000X1NC	0.15S-B1.8
	1200 <sup>1</sup>	D031200X1NC	0.15S-B1.8
	1500 <sup>1</sup>	D031500X1NC	0.15S-B1.8
	2000 <sup>1</sup>	D032000X1NC	0.15S-B1.8

Accuracy is maintained from 5% rated current through its rating factor.

<sup>1</sup> Accuracy for this primary current is maintained down to 1% rated current.

For factory installed bar kit, change the "1" following the X to "3".

Relay Accuracy	Rating Factor @ 30°C	Height (in.)	Width (in.)	Length (in.)	Weight (lbs.)
C60	3.0	20.75	18.0	13.50	125
C100	2.0	20.75	18.0	13.50	125
C120	2.0	20.75	18.0	13.50	125
C150	2.0	20.75	18.0	13.50	125
C200	2.0	20.75	18.0	13.50	125
C300	2.0	20.75	18.0	13.50	125
C350	2.0	20.75	18.0	13.50	125
C400	2.0	20.75	18.0	13.50	125
C500	2.0	20.75	18.0	13.50	125
C600	2.0	20.75	18.0	13.50	125
C800	2.0	20.75	18.0	13.50	125
C800	2.0*	20.75	18.0	13.50	125
C800	1.5*	20.75	18.0	13.50	125
C800	1.5*	20.75	18.0	13.50	125
C60/C120	3.0/3.0	20.75	18.0	13.50	125
C100/C200	2.0/2.0	20.75	18.0	13.50	125
C150/C300	2.0/2.0	20.75	18.0	13.50	125
C200/C400	2.0/2.0	20.75	18.0	13.50	125
C300/C600	2.0/2.0	20.75	18.0	13.50	125
C400/C800	2.0/2.0*	20.75	18.0	13.50	125

\* If supplied with factory-installed bar kit, then rating factor is reduced to 5500 A max.

Rating Factor @ 30°C	Height (in.)	Width (in.)	Length (in.)	Weight (lbs.)
4.0	20.75	18.0	13.50	125
4.0	20.75	18.0	13.50	125
4.0	20.75	18.0	13.50	125
4.0	20.75	18.0	13.50	125
4.0	20.75	18.0	13.50	125
4.0	20.75	18.0	13.50	125
4.0	20.75	18.0	13.50	125
4.0	20.75	18.0	13.50	125
3.0	20.75	18.0	13.50	125
3.0	20.75	18.0	13.50	125
3.0*	20.75	18.0	13.50	125

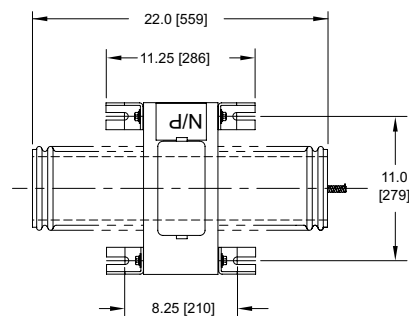
\* If supplied with factory installed bar kit, then rating factory is reduced to 5500 A max.

# TYPE LG(X)-15-683

Outdoor  
15 kV, 110 kV BIL  
60 Hertz  
Tube type: 4.5" ID



Mounting base dimensions (in. [mm])



	Primary Amps	Style Number	IEEE Metering Accuracy
TYPE LG-15-683	200	D100200S1	0.6B-0.2
	300	D100300S1	0.3B-0.2
	400	D100400S1	0.3B-0.5
	500	D100500S1	0.3B-0.5
	600	D100600S1	0.3B-0.9
	800	D100800S1	0.3B-1.8
	1000	D101000S1	0.3B-1.8
	1200	D101200S1	0.3B-1.8
	1500	D101500S1	0.3B-1.8
	2000*	D102000S1	0.3B-1.8
	2500	D102500S1	0.3B-1.8
	3000	D103000S1	0.3B-1.8
	4000	D104000S1	0.3B-1.8
	5000	D105000S1	0.3B-1.8
	200/400	D100200D1	0.6B-0.2/0.3B-0.5
	300/600	D100300D1	0.3B-0.2/0.3B-0.9
400/800	D100400D1	0.3B-0.5/0.3B-1.8	
600/1200	D100600D1	0.3B-0.9/0.3B-1.8	
1000/2000	D101000D1	0.3B-1.8/0.3B-1.8	
1500/3000	D101500D1	0.3B-1.8/0.3B-1.8	

\* IC Approval AE-0745 for 2000:5 MR

	Primary Amps	Style Number	IEEE Metering Accuracy
TYPE LGX-15-683 High accuracy	400	D100400X1NC	0.15S-B0.5/0.3S-B1.8
	500	D100500X1NC	0.15S-B0.5/0.3S-B1.8
	600	D100600X1NC	0.15S-B0.9/0.3S-B1.8
	800	D100800X1NC	0.15S-B0.9/0.3S-B1.8
	1000	D101000X1NC	0.15S-B1.8
	1200	D101200X1NC	0.15S-B1.8
	1500	D101500X1NC	0.15S-B1.8
2000	D102000X1NC	0.15S-B1.8	

Accuracy is maintained from 5% rated current through its rating factor.

For factory installed bar kit, change the "1" following the X to "3".

Relay Accuracy	Rating Factor @ 30°C	Height (in.)	Width (in.)	Length (in.)	Weight (lbs.)
C50	3.0	20.25	13.0	22.0	120
C75	3.0	20.25	13.0	22.0	120
C100	3.0	20.25	13.0	22.0	120
C150	3.0	20.25	13.0	22.0	120
C200	3.0	20.25	13.0	22.0	120
C250	2.0	20.25	13.0	22.0	120
C300	2.0	20.25	13.0	22.0	120
C400	2.0	20.25	13.0	22.0	120
C400	2.0	20.25	13.0	22.0	120
C400	2.0	20.25	13.0	22.0	120
C400	2.0	20.25	13.0	22.0	120
C800	2.0*	20.25	13.0	22.0	120
C800	1.5*	20.25	13.0	22.0	120
C800	1.5*	20.25	13.0	22.0	120
C50/C100	3.0/3.0	20.25	13.0	22.0	120
C100/C200	3.0/3.0	20.25	13.0	22.0	120
C100/C200	2.0/2.0	20.25	13.0	22.0	120
C200/C400	2.0/2.0	20.25	13.0	22.0	120
C200/C400	2.0/2.0	20.25	13.0	22.0	120
C400/C800	2.0/2.0*	20.25	13.0	22.0	120

\* If supplied with factory-installed bar kit, then rating factor is reduced to 5500 A max.

Rating Factor @ 30°C	Height (in.)	Width (in.)	Length (in.)	Weight (lbs.)
4.0	20.25	13.0	22.0	120
4.0	20.25	13.0	22.0	120
4.0	20.25	13.0	22.0	120
4.0	20.25	13.0	22.0	120
4.0	20.25	13.0	22.0	120
3.0	20.25	13.0	22.0	120
3.0	20.25	13.0	22.0	120
3.0*	20.25	13.0	22.0	120

\* If supplied with factory-installed bar kit, then rating factor is reduced to 5500 A max.

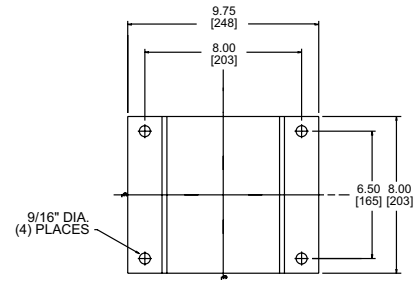
# TYPE LG-15-879

Outdoor  
 15 kV, 110 kV BIL  
 60 Hertz  
 Tube type: 4.5" ID

Consult factory for dual core design options.



Mounting base dimensions (in. [mm])



	Primary Amps	Style Number	IEEE Metering Accuracy
TYPE LG-15- 879	200	D092015S109-1	0.3B-0.1
	300	D093015S159-1	0.3B-0.2
	400	D094015S309-1	0.3B-0.5
	600	D096015S409-1	0.3B-1.8
	800	D098015S609-1	0.3B-1.8
	1000	D091025S809-1	0.3B-1.8
	1200	D091225S809-1	0.3B-1.8
	1500	D091525S809-1	0.3B-1.8
	2000	D092025S809-1	0.3B-1.8
	2500	D092525S809-1	0.3B-1.8
	3000	D093025S809-1	0.3B-1.8
	4000	D094025S809-1	0.3B-1.8
	5000	D095025S809-1	0.3B-1.8
	6000	D096025S809-1	0.3B-1.8
	8000	D098025S809-1	0.3B-1.8
	10000	D091035S809-1	0.3B-1.8
	200/400	D092015D159-1	0.3B-0.1/0.3B-0.5
	300/600	D093015D209-1	0.3B-0.2/0.3B-1.8
	400/800	D094015D309-1	0.3B-0.5/0.3B-1.8
600/1200	D096015D409-1	0.3B-1.8/0.3B-1.8	
1000/2000	D091025D409-1	0.3B-1.8/0.3B-1.8	
1500/3000	D091525D809-1	0.3B-1.8/0.3B-1.8	

Relay Accuracy	Rating Factor @ 30°C	Height (in.)	Width (in.)	Length (in.)	Weight (lbs.)
C100	2.0	23.5	18.0	17.75	210
C150	2.0	23.5	18.0	17.75	210
C300	2.0	23.5	18.0	17.75	210
C400	2.0	23.5	18.0	17.75	210
C600	2.0	23.5	18.0	17.75	210
C800	2.0	23.5	18.0	17.75	210
C800	2.0	23.5	18.0	17.75	210
C800	2.0	23.5	18.0	17.75	210
C800	2.0	23.5	18.0	17.75	210
C800	2.0*	23.5	18.0	17.75	210
C800	1.5*	23.5	18.0	17.75	210
C800	1.5*	23.5	18.0	17.75	210
C800	1.5*	23.5	18.0	17.75	210
C800	1.25*	23.5	18.0	17.75	210
C800	1.0*	23.5	18.0	17.75	210
C150/C300	2.0/2.0	23.5	18.0	17.75	210
C200/C400	2.0/2.0	23.5	18.0	17.75	210
C300/C600	2.0/2.0	23.5	18.0	17.75	210
C400/C800	2.0/2.0	23.5	18.0	17.75	210
C400/C800	2.0/2.0	23.5	18.0	17.75	210
C800/C800	2.0/2.0*	23.5	18.0	17.75	210

Available in multi-ratio designs (full tap ratings same as single ratio above).

One second thermal/mechanical rating: 80 x full winding  $I_{nom}$  / unlimited mechanical.

For factory installed bar kit, change the "1" following the X to "3".

\* If supplied with factory-installed bar kit, then rating factor is reduced to 5500 A max.

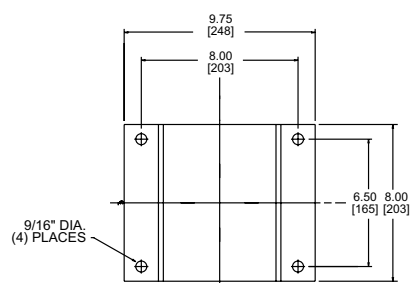
# TYPE LG(X)-15-6513

Outdoor  
15 kV, 110 kV BIL  
60 Hertz  
Tube type: 8.75" ID



Consult factory for dual core design options.

Mounting base dimensions (in. [mm])



	Primary Amps	Style Number	IEEE Metering Accuracy
TYPE LG-15-6513	200	D040200S1	0.6B-0.2
	300	D040300S1	0.6B-0.2
	400	D040400S1	0.3B-0.2
	600	D040600S1	0.3B-0.5
	800	D040800S1	0.3B-0.9
	1000	D041000S1	0.3B-1.8
	1200	D041200S1	0.3B-1.8
	1500	D041500S1	0.3B-1.8
	2000	<b>D042000S1</b>	0.3B-1.8
	2500	D042500S1	0.3B-1.8
Available in multi-ratio designs (full tap ratings same as single ratios)	3000	<b>D043000S1</b>	0.3B-1.8
	4000	D044000S1	0.3B-1.8
	5000	D045000S1	0.3B-1.8
	6000	<b>D046000S1</b>	0.3B-1.8
	8000	D048000S1	0.3B-1.8
	10000	D041000S1	0.3B-1.8
	200/400	D040200D1	0.6B-0.2/0.3B-0.2
	300/600	D040300D1	0.6B-0.2/0.3B-0.5
	400/800	D040400D1	0.3B-0.2/0.3B-0.9
	600/1200	D040600D1	0.3B-0.5/0.3B-1.8
One second thermal/mechanical rating: 80 x full winding I <sub>nom</sub> / unlimited mechanical.	1000/2000	D041000D1	0.3B-1.8/0.3B-1.8
	1500/3000	D041500D1	0.3B-1.8/0.3B-1.8
	2000/4000	<b>D042000D1</b>	0.3B-1.8/0.3B-1.8
	3000/6000	<b>D043000D1</b>	0.3B-1.8/0.3B-1.8

IC Approval (AE-1104) is noted by bold catalog number.

Relay Accuracy	Rating Factor @ 30°C	Height (in.)	Width (in.)	Length (in.)	Weight (lbs.)
C50	2.0	23.63	18.0	17.75	150
C75	2.0	23.63	18.0	17.75	150
C100	2.0	23.63	18.0	17.75	150
C200	2.0	23.63	18.0	17.75	150
C200	2.0	23.63	18.0	17.75	150
C300	2.0	23.63	18.0	17.75	150
C400	2.0	23.63	18.0	17.75	150
C500	2.0	23.63	18.0	17.75	150
C500	2.0	23.63	18.0	17.75	150
C600	2.0	23.63	18.0	17.75	150
C800	2.0	23.63	18.0	17.75	150
C800	1.5	23.63	18.0	17.75	150
C800	1.5	23.63	18.0	17.75	150
C800	1.0	23.63	18.0	17.75	150
C800	1.0	23.63	18.0	17.75	150
C800	1.0	23.63	18.0	17.75	150
C50/C100	2.0/2.0	23.63	18.0	17.75	150
C100/C200	2.0/2.0	23.63	18.0	17.75	150
C100/C200	2.0/2.0	23.63	18.0	17.75	150
C200/C400	2.0/2.0	23.63	18.0	17.75	150
C250/C500	2.0/2.0	23.63	18.0	17.75	150
C400/C800	2.0/2.0	23.63	18.0	17.75	150
C400/C800	2.0/1.5	23.63	18.0	17.75	150
C800/C800	1.5/1.0	23.63	18.0	17.75	150

	Primary Amps	Style Number	IEEE Metering Accuracy
TYPE LGX-15-6513 High accuracy	400	D040400X1NC	0.15S-B0.2/0.3S-B0.5
	600	D040600X1NC	0.15S-B0.5/0.3S-B0.9
	800	D040800X1NC	0.15S-B0.9/0.3S-B1.8
	1000	D041000X1NC	0.15S-B0.9/0.3S-B1.8
	1200	D041200X1NC	0.15S-B1.8
One second thermal/mechanical rating: 100 x full winding I <sub>nom</sub> / unlimited mechanical.	1500	D041500X1NC	0.15S-B1.8
	2000	D042000X1NC	0.15S-B1.8

Accuracy is maintained from 5% rated current through its rating factor.

Rating Factor @ 30°C	Height (in.)	Width (in.)	Length (in.)	Weight (lbs.)
4.0	23.63	18.0	17.75	150
4.0	23.63	18.0	17.75	150
4.0	23.63	18.0	17.75	150
4.0	23.63	18.0	17.75	150
3.0	23.63	18.0	17.75	150
3.0	23.63	18.0	17.75	150
2.0	23.63	18.0	17.75	150

## TYPE KOT-11

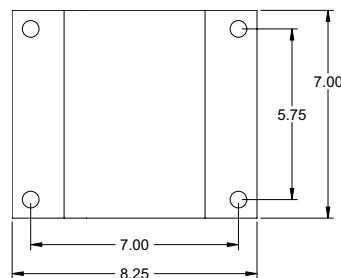
Outdoor  
15 kV, 110 kV BIL  
50/60 Hertz\*



**Mechanical rating:**  
All units effectively unlimited

**Thermal rating:**  
800 and 1200 Amps: 80 x normal, 1 second  
1500 Amps and above: 100 x normal, 1 second

Mounting base dimensions (in. [mm])



	Primary Amps	Style Number	IEEE Metering Accuracy
TYPE KOT-11 <b>Tube type</b> 3.25" ID	800	7524A34G01	0.3B-0.9
	1200	7524A34G02	0.3B-1.8
	1500	7524A34G03	0.3B-1.8
	2000	7524A34G04	0.3B-1.8
	3000	7524A34G05	0.3B-1.8
	4000	7524A34G06	0.3B-1.8
	600/1200	7524A34G07	0.3B-0.5/B-1.8
	1000/2000	7524A34G08	0.3B-0.9/B-1.8
	2000/4000	7524A34G09	0.3B-1.8/B-1.8

	Primary Amps	Style Number	IEEE Metering Accuracy
TYPE KOT-11 <b>Bar type</b>	800	923A275G01	0.3B-0.9
	1200	923A275G02	0.3B-1.8
	1500	923A275G03	0.3B-1.8
	2000	923A275G04	0.3B-1.8
	3000	923A275G05	0.3B-1.8
	4000	923A275G06	0.3B-1.8
	600/1200	923A275G07	0.3B-0.5/B-1.8
	1000/2000	923A275G08	0.3B-0.9/B-1.8
	2000/4000	923A275G09	0.3B-1.8/B-1.8

Contact factory for 0.15S accuracy class

\* Accuracy 20% less at 50 Hertz

Relay* Accuracy	Rating Factor	Height (in.)	Width (in.)	Length (in.)	Weight (lbs.)
C100	2.0	17.25	10.50	17.75	47
C200	2.0	17.25	10.50	17.75	47
C200	2.0	17.25	10.50	17.75	47
C200	2.0	17.25	10.50	17.75	47
C200	1.5	17.25	10.50	17.75	47
C200	1.5	17.25	10.50	17.75	47
C100/C200	3.0/2.0	17.25	10.50	17.75	47
C100/C200	3.0/2.0	17.25	10.50	17.75	47
C100/C200	2.0/1.5	17.25	10.50	17.75	47

Relay* Accuracy	Rating Factor	Height (in.)	Width (in.)	Length (in.)	Weight (lbs.)
C100	2.0	17.25	10.50	27.12	75
C200	2.0	17.25	10.50	27.12	75
C200	2.0	17.25	10.50	27.12	75
C200	1.50	17.25	10.50	27.12	75
C200	1.33	17.25	10.50	27.12	89
C200	1.00	17.25	10.50	27.12	89
C100/C200	3.0/2.0	17.25	10.50	27.12	75
C100/C200	2.0/1.5	17.25	10.50	27.12	75
C100/C200	1.5/1.0	17.25	10.50	27.12	89



# TYPE KOTD-110

42-940

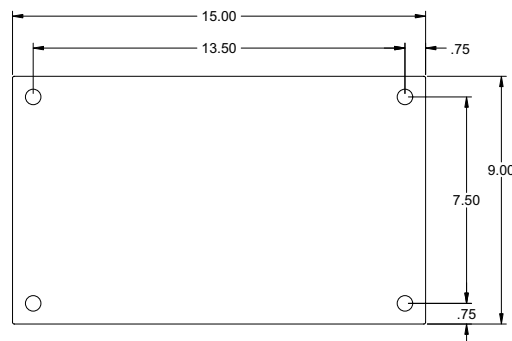
**110 kV BIL**  
Single, Double, & Multi Ratio  
Outdoor  
50/60 Hertz

**Tube Type**  
5" ID

Consult factory for 4" ID and for designs up to four secondaries.



Mounting Base Dimensions (in.)



**KOTD-110**  
**Tube Type**  
NSV 15 kV  
110 kV BIL  
**Single Ratio**

Primary Amps	Style Number	Rating Factor
400	923A141G01	2.0
600	923A141G02	2.0
800	923A141G03	2.0
1000	923A141G04	2.0
1200	923A141G05	2.0
1600	923A141G06	2.0
2000	923A141G07	2.0
3000	923A141G08	1.5
4000	923A141G09	1.25
5000	923A141G10	1.0

**KOTD-110**  
**Tube Type**  
NSV 15 kV  
110 kV BIL  
**Dual Ratio**

200/400	923A142G01	2.0/2.0
300/600	923A142G02	2.0/2.0
400/800	923A142G03	2.0/2.0
500/1000	923A142G04	2.0/2.0
600/1200	923A142G05	2.0/2.0
800/1600	923A142G06	2.0/2.0
1000/2000	923A142G07	2.0/2.0
1500/3000	923A142G08	2.0/1.5
2000/4000	923A142G09	2.0/1.25
2500/5000	923A142G10	2.0/1.0

**KOTD-110**  
**Tube Type**  
NSV 15 kV  
110 kV BIL  
**Multi Ratio**

600	923A143G01	2.0
1200	923A143G02	1.5
2000	923A143G03	1.0
3000	923A143G04	1.33
4000	923A143G05	1.0
5000	923A143G06	1.0

IEEE Metering Accuracy	Relay Accuracy*	Height (in.)	Width (in.)	Length (in.)	Weight (lb.)
0.3B-0.5	C200	20	14.7	17	225
0.3B-0.9	C200	20	14.7	17	225
0.3B-1.8	C400	20	14.7	17	225
0.3B-1.8	C400	20	14.7	17	225
0.3B-1.8	C400	20	14.7	17	225
0.3B-1.8	C400	20	14.7	17	225
0.3B-1.8	C800	20	14.7	17	225
0.3B-1.8	C800	20	14.7	17	225
0.3B-1.8	C800	20	14.7	17	225
0.3B-1.8	C800	20	14.7	17	225

0.6B-0.2					
0.3B-0.5	C100/C200	20	14.7	17	240
0.3B-0.2					
0.3B-0.9	C100/C200	20	14.7	17	240
0.3B-0.5					
0.3B-1.8	C200/C400	20	14.7	17	240
0.3B-0.5					
0.3B-1.8	C200/C400	20	14.7	17	240
0.3B-0.9					
0.3B-1.8	C200/C400	20	14.7	17	240
0.3B-0.9					
0.3B-1.8	C200/C400	20	14.7	17	240
0.3B-1.8					
0.3B-1.8	C400/C800	20	14.7	17	240
0.3B-1.8					
0.3B-1.8	C400/C800	20	14.7	17	240
0.3B-1.8					
0.3B-1.8	C400/C800	20	14.7	17	240
0.3B-1.8					

0.3B-0.9	C200	20	14.7	17	225
0.3B-1.8	C400	20	14.7	17	225
0.3B-1.8	C800	20	14.7	17	225
0.3B-1.8	C800	20	14.7	17	225
0.3B-1.8	C800	20	14.7	17	225
0.3B-1.8	C800	20	14.7	17	225

\* Accuracy 20% less at 50 Hertz

# TYPE KOTD-110

42-940

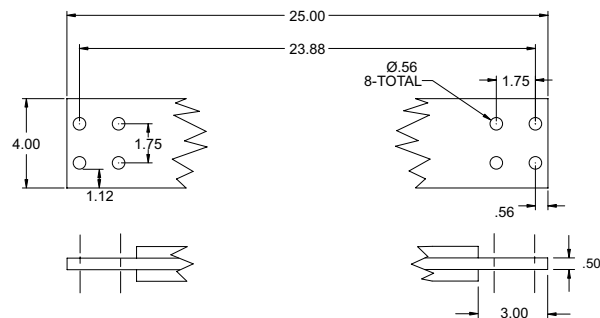
**110 kV BIL**  
Single, Double, & Multi Ratio  
Outdoor  
50/60 Hertz

**Bar Type**  
5" ID

Consult factory for designs up to four secondaries.



Bar Dimensions (in.)



Note: Base dimensions same as tube type KOTD

**KOTD-110**  
**Bar Type**  
NSV 15 kV  
110 kV BIL  
**Single Ratio**

Primary Amps	Style Number	Number of Bars	Rating Factor
400	923A206G01	1	2.0
600	923A206G02	1	2.0
800	923A206G03	1	2.0
1000	923A206G04	1	2.0
1200	923A206G05	1	1.5
1600	923A206G06	1	1.25
2000	923A206G07	1	1.0
3000	923A206G08	2	1.33
4000	923A206G09	2	1.0
5000	923A206G10	3	1.0

**KOTD-110**  
**Bar Type**  
NSV 15 kV  
110 kV BIL  
**Dual Ratio**

Primary Amps	Style Number	Number of Bars	Rating Factor
200/400	923A148G01	1	2.0/2.0
300/600	923A148G02	1	2.0/2.0
400/800	923A148G03	1	2.0/2.0
500/1000	923A148G04	1	2.0/2.0
600/1200	923A148G05	1	2.0/1.5
800/1600	923A148G06	1	2.0/1.25
1000/2000	923A148G07	1	2.0/1.0
1500/3000	923A148G08	2	2.0/1.33
2000/4000	923A148G09	2	2.0/1.0
2500/5000	923A148G10	3	2.0/1.0

**KOTD-110**  
**Bar Type**  
NSV 15 kV  
110 kV BIL  
**Multi Ratio**

Primary Amps	Style Number	Number of Bars	Rating Factor
600	923A149G01	1	2.0
1200	923A149G02	1	1.5
2000	923A149G03	1	1.0
3000	923A149G04	2	1.33
4000	923A149G05	2	1.0
5000	923A149G06	3	1.0

IEEE Metering Accuracy	Relay Accuracy*	Height (in.)	Width (in.)	Length (in.)	Weight (lb.)
0.3B-0.5	C200	20	14.7	25	240
0.3B-0.9	C200	20	14.7	25	240
0.3B-1.8	C400	20	14.7	25	240
0.3B-1.8	C400	20	14.7	25	240
0.3B-1.8	C400	20	14.7	25	240
0.3B-1.8	C400	20	14.7	25	240
0.3B-1.8	C800	20	14.7	25	240
0.3B-1.8	C800	20	14.7	25	240
0.3B-1.8	C800	20	14.7	25	240
0.3B-1.8	C800	20	14.7	25	240

0.6B-0.2					
0.3B-0.5	C100/C200	20	14.7	25	240
0.3B-0.2					
0.3B-0.9	C100/C200	20	14.7	25	240
0.3B-0.5					
0.3B-1.8	C200/C400	20	14.7	25	240
0.3B-0.5					
0.3B-1.8	C200/C400	20	14.7	25	240
0.3B-0.9					
0.3B-1.8	C200/C400	20	14.7	25	240
0.3B-0.9					
0.3B-1.8	C200/C400	20	14.7	25	240
0.3B-1.8					
0.3B-1.8	C400/C800	20	14.7	25	240
0.3B-1.8					
0.3B-1.8	C400/C800	20	14.7	25	240
0.3B-1.8					
0.3B-1.8	C400/C800	20	14.7	25	240
0.3B-1.8					

0.3B-0.9	C200	20	15.3	25	240
0.3B-1.8	C400	20	15.3	25	240
0.3B-1.8	C800	20	15.3	25	240
0.3B-1.8	C800	20	15.3	25	240
0.3B-1.8	C800	20	15.3	25	240
0.3B-1.8	C800	20	15.3	25	240

\* Accuracy 20% less at 50 Hertz

# TYPE LG(X)-25-585



Outdoor  
25 kV, 150 kV BIL  
60 Hertz  
Tube type  
4.5" ID

Available with a primary bar kit (maximum 5500 A). Change last digit of style from 1 to 3.

	Primary Amps	Style Number	IEEE Metering Accuracy
TYPE LG-25-585	200	<b>F030200S1</b>	0.3B-0.2
	300	<b>F030300S1</b>	0.3B-0.5
	400	<b>F030400S1</b>	0.3B-0.9
	500	<b>F030500S1</b>	0.3B-1.8
	600	<b>F030600S1</b>	0.3B-1.8
	800	<b>F030800S1</b>	0.3B-1.8
	1000	<b>F031000S1</b>	0.3B-1.8
	1200	<b>F031200S1</b>	0.3B-1.8
	1500	<b>F031500S1</b>	0.3B-1.8
	2000	<b>F032000S1</b>	0.3B-1.8
Available in multi-ratio designs (full tap ratings same as single ratios)	2500	<b>F032500S1</b>	0.3B-1.8
	3000	<b>F033000S1</b>	0.3B-1.8
	4000	<b>F034000S1</b>	0.3B-1.8
	5000	<b>F035000S1</b>	0.3B-1.8
	200/400	<b>F030200D1</b>	0.3B-0.2/0.3B-0.9
	300/600	<b>F030300D1</b>	0.3B-0.5/0.3B-1.8
	400/800	<b>F030400D1</b>	0.3B-0.9/0.3B-1.8
	600/1200	<b>F030600D1</b>	0.3B-1.8/0.3B-1.8
	1000/2000	<b>F031000D1</b>	0.3B-1.8/0.3B-1.8
	1500/3000	<b>F031500D1</b>	0.3B-1.8/0.3B-1.8

One second thermal/mechanical rating: 80x full winding I<sub>nom</sub> unlimited mechanical.

IC Approval AE-0703 is noted by bold style number.

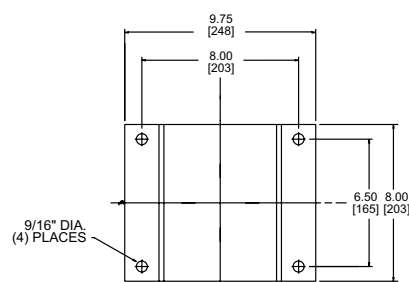
	Primary Amps	Style Number	IEEE Metering Accuracy
TYPE LGX-25-585 High accuracy	200	F030200X1NC	0.15S-B0.1/0.3S-B0.2
	300	F030300X1NC	0.15S-B0.5/0.3S-B1.8
	400	F030400X1NC	0.15S-B0.5/0.3S-B1.8
	500	F030500X1NC	0.15S-B0.5/0.3S-B1.8
	600	F030600X1NC	0.15S-B0.9/0.3S-B1.8
	800 <sup>1</sup>	F030800X1NC	0.15S-B0.9/0.3S-B1.8
	1000 <sup>1</sup>	F031000X1NC	0.15S-B1.8
	1200 <sup>1</sup>	F031200X1NC	0.15S-B1.8
	1500 <sup>1</sup>	F031500X1NC	0.15S-B1.8
	2000 <sup>1</sup>	F032000X1NC	0.15S-B1.8

Accuracy is maintained from 5% rated current through its rating factor.

<sup>1</sup> Accuracy for this primary current is maintained down to 1% rated current.

For factory installed bar kit change the "1" following the X to "3".

## Mounting base dimensions (in. [mm])



Relay Accuracy	Rating Factor @ 30°C	Height (in.)	Width (in.)	Length (in.)	Weight (lbs.)
C60	3.0	20.75	22.0	13.50	133
C100	2.0	20.75	22.0	13.50	133
C120	2.0	20.75	22.0	13.50	133
C150	2.0	20.75	22.0	13.50	133
C200	2.0	20.75	22.0	13.50	133
C300	2.0	20.75	22.0	13.50	133
C350	2.0	20.75	22.0	13.50	133
C400	2.0	20.75	22.0	13.50	133
C500	2.0	20.75	22.0	13.50	133
C600	2.0	20.75	22.0	13.50	133
C800	2.0	20.75	22.0	13.50	133
C800	2.0*	20.75	22.0	13.50	133
C800	1.5*	20.75	22.0	13.50	133
C800	1.5*	20.75	22.0	13.50	133
C60/C120	3.0/3.0	20.75	34.5	13.50	133
C100/C200	2.0/2.0	20.75	34.5	13.50	133
C150/C300	2.0/2.0	20.75	34.5	13.50	133
C200/C400	2.0/2.0	20.75	34.5	13.50	133
C300/C600	2.0/2.0	20.75	34.5	13.50	133
C400/C800	2.0/2.0*	20.75	34.5	13.50	133

\* If supplied with factory-installed bar kit, then rating factor is reduced to 5500 A max.

Rating Factor @ 30°C	Height (in.)	Width (in.)	Length (in.)	Weight (lbs.)
4.0	20.75	34.5	13.50	133
4.0	20.75	34.5	13.50	133
4.0	20.75	34.5	13.50	133
4.0	20.75	34.5	13.50	133
4.0	20.75	34.5	13.50	133
4.0	20.75	34.5	13.50	133
4.0	20.75	34.5	13.50	133
4.0	20.75	34.5	13.50	133
3.0	20.75	34.5	13.50	133
3.0	20.75	34.5	13.50	133
3.0*	20.75	34.5	13.50	133

\* If supplied with factory installed bar kit, then rating factory is reduced to 5500 A max.

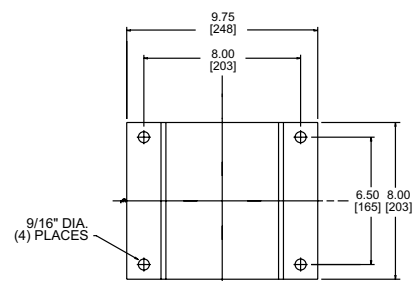
# TYPE LG-25-879

**Outdoor**  
 25 kV, 150 kV BIL  
 60 Hertz  
 Tube type  
 4.5" ID

Consult factory for dual core design options.



Mounting base dimensions (in. [mm])



Primary Amps	Style Number	IEEE Metering Accuracy
200	F092015S109-1	0.3B-0.1
300	F093015S159-1	0.3B-0.2
400	F094015S309-1	0.3B-0.5
600	F096015S409-1	0.3B-1.8
800	F098015S609-1	0.3B-1.8
1000	F091025S809-1	0.3B-1.8
1200	F091225S809-1	0.3B-1.8
1500	F091525S809-1	0.3B-1.8
2000	F092025S809-1	0.3B-1.8
2500	F092525S809-1	0.3B-1.8
3000	F093025S809-1	0.3B-1.8
4000	F094025S809-1	0.3B-1.8
5000	F095025S809-1	0.3B-1.8
6000	F096025S809-1	0.3B-1.8
8000	F098025S809-1	0.3B-1.8
10000	F091035S809-1	0.3B-1.8
200/400	F092015D159-1	0.3B-0.1/0.3B-0.5
300/600	F093015D209-1	0.3B-0.2/0.3B-0.9
400/800	F094015D309-1	0.3B-0.5/0.3B-1.8
600/1200	F096015D409-1	0.3B-1.8/0.3B-1.8
1000/2000	F091025D409-1	0.3B-1.8/0.3B-1.8
1500/3000	F091525D809-1	0.3B-1.8/0.3B-1.8

Available in multi-ratio designs (full tap ratings same as single ratio above).

One second thermal/mechanical rating: 80x full winding  $I_{nom}$  unlimited mechanical  
 For factory installed bar kit, change the "1" following the X to "3".

Relay Accuracy	Rating Factor @ 30°C	Height (in.)	Width (in.)	Length (in.)	Weight (lbs.)
C100	2.0	23.0	22.0	17.75	218
C150	2.0	23.0	22.0	17.75	218
C300	2.0	23.0	22.0	17.75	218
C400	2.0	23.0	22.0	17.75	218
C600	2.0	23.0	22.0	17.75	218
C800	2.0	23.0	22.0	17.75	218
C800	2.0	23.0	22.0	17.75	218
C800	2.0	23.0	22.0	17.75	218
C800	2.0	23.0	22.0	17.75	218
C800	2.0	23.0	22.0	17.75	218
C800	2.0*	23.0	22.0	17.75	218
C800	1.5*	23.0	22.0	17.75	218
C800	1.5*	23.0	22.0	17.75	218
C800	1.5*	23.0	22.0	17.75	218
C800	1.25*	23.0	22.0	17.75	218
C800	1.0*	23.0	22.0	17.75	218
C150/C300	2.0/2.0	23.0	22.0	17.75	218
C200/C400	2.0/2.0	23.0	22.0	17.75	218
C300/C600	2.0/2.0	23.0	22.0	17.75	218
C400/C800	2.0/2.0	23.0	22.0	17.75	218
C400/C800	2.0/2.0	23.0	22.0	17.75	218
C800/C800	2.0/2.0*	23.0	22.0	17.75	218

\* If supplied with factory-installed bar kit, then rating factor is reduced to 5500 A max.

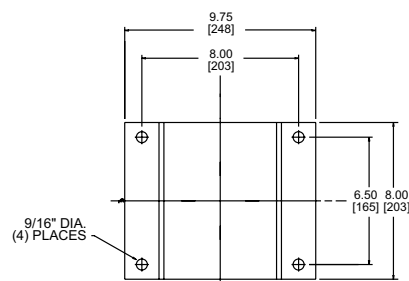
# TYPE LG(X)-25-6513

Outdoor  
25 kV, 150 kV BIL  
60 Hertz  
Tube type  
8.75" ID



Consult factory for dual core design options.

Mounting base dimensions (in. [mm])



	Primary Amps	Style Number	IEEE Metering Accuracy
TYPE LG-25-6513	200	F040200S1	0.6B-0.2
	300	F040300S1	0.6B-0.2
	400	F040400S1	0.3B-0.2
	600	F040600S1	0.3B-0.5
	800	F040800S1	0.3B-0.9
	1000	F041000S1	0.3B-1.8
	1200	F041200S1	0.3B-1.8
	1500	F041500S1	0.3B-1.8
	2000	<b>F042000S1</b>	0.3B-1.8
	2500	F042500S1	0.3B-1.8
Available in multi-ratio designs (full tap ratings same as single ratios)	3000	<b>F043000S1</b>	0.3B-1.8
	4000	F044000S1	0.3B-1.8
	5000	F045000S1	0.3B-1.8
	6000	<b>F046000S1</b>	0.3B-1.8
	8000	F048000S1	0.3B-1.8
	10000	F0410000S1	0.3B-1.8
	200/400	F040200D1	0.6B-0.2/0.3B-0.2
	300/600	F040300D1	0.6B-0.2/0.3B-0.5
	400/800	F040400D1	0.3B-0.2/0.3B-0.9
	600/1200	F040600D1	0.3B-0.5/0.3B-1.8
One second thermal/mechanical rating: 80x full winding I <sub>nom</sub> unlimited mechanical.	1000/2000	F041000D1	0.3B-1.8/0.3B-1.8
	1500/3000	F041500D1	0.3B-1.8/0.3B-1.8
	2000/4000	<b>F042000D1</b>	0.3B-1.8/0.3B-1.8
	3000/6000	<b>F043000D1</b>	0.3B-1.8/0.3B-1.8

IC Approval (AE-1104) is noted by bold style number.

	Primary Amps	Style Number	IEEE Metering Accuracy
TYPE LGX-25-6513 High accuracy	400	F040400X1NC	0.15S-B0.2/0.3S-B0.5
	600	F040600X1NC	0.15S-B0.5/0.3S-B0.9
	800	F040800X1NC	0.15S-B0.9/0.3S-B1.8
	1000	F041000X1NC	0.15S-B0.9/0.3S-B1.8
	1200	F041200X1NC	0.15S-B1.8
	1500	F041500X1NC	0.15S-B1.8
	2000	F042000X1NC	0.15S-B1.8

Accuracy is maintained from 5% rated current through its rating factor.

One second thermal/mechanical rating: 80x full winding I<sub>nom</sub> unlimited mechanical.

Relay Accuracy	Rating Factor @ 30°C	Height (in.)	Width (in.)	Length (in.)	Weight (lbs.)
C50	2.0	23.63	22.0	17.75	160
C75	2.0	23.63	22.0	17.75	160
C100	2.0	23.63	22.0	17.75	160
C200	2.0	23.63	22.0	17.75	160
C200	2.0	23.63	22.0	17.75	160
C300	2.0	23.63	22.0	17.75	160
C400	2.0	23.63	22.0	17.75	160
C500	2.0	23.63	22.0	17.75	160
C500	2.0	23.63	22.0	17.75	160
C600	2.0	23.63	22.0	17.75	160
C800	2.0	23.63	22.0	17.75	160
C800	1.5	23.63	22.0	17.75	160
C800	1.5	23.63	22.0	17.75	160
C800	1.0	23.63	22.0	17.75	160
C800	1.0	23.63	22.0	17.75	160
C800	1.0	23.63	22.0	17.75	160
C50/C100	2.0/2.0	23.63	22.0	17.75	160
C100/C200	2.0/2.0	23.63	22.0	17.75	160
C100/C200	2.0/2.0	23.63	22.0	17.75	160
C200/C400	2.0/2.0	23.63	22.0	17.75	160
C250/C500	2.0/2.0	23.63	22.0	17.75	160
C400/C800	2.0/2.0	23.63	22.0	17.75	160
C400/C800	2.0/1.5	23.63	22.0	17.75	160
C800/C800	1.5/1.0	23.63	22.0	17.75	160

Rating Factor @ 30°C	Height (in.)	Width (in.)	Length (in.)	Weight (lbs.)
4.0	23.63	22.0	17.75	160
4.0	23.63	22.0	17.75	160
4.0	23.63	22.0	17.75	160
3.0	23.63	22.0	17.75	160
3.0	23.63	22.0	17.75	160
3.0	23.63	22.0	17.75	160
2.0	23.63	22.0	17.75	160

# TYPE KOT-15

**Outdoor**  
**25 kV, 150 kV BIL**  
 50/60 Hertz



**Mechanical rating:**  
 All units effectively unlimited

**Thermal rating:**  
 800 and 1200 Amps: 80 x normal, 1 sec  
 1500 amps and above: 100 x normal, 1 sec

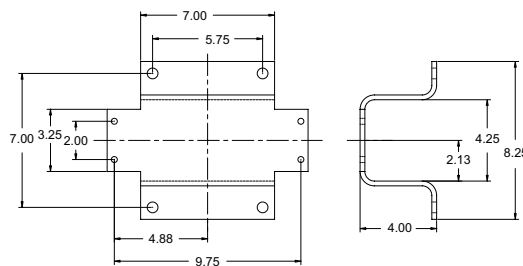
Primary Amps	Style Number	IEEE Metering Accuracy
800	7524A35G01	0.3B-0.9
1200	7524A35G02	0.3B-1.8
1500	7524A35G03	0.3B-1.8
2000	7524A35G04	0.3B-1.8
3000	7524A35G05	0.3B-1.8
4000	7524A35G06	0.3B-1.8
600/1200	7524A35G07	0.3B-0.5/B-1.8
1000/2000	7524A35G08	0.3B-0.9/B-1.8
2000/4000	7524A35G09	0.3B-1.8/B-1.8

**TYPE KOT-15 Tube type**  
 3.25" ID

Primary Amps	Style Number	IEEE Metering Accuracy
800	923A270G01	0.3B-0.9
1200	923A270G02	0.3B-1.8
1500	923A270G03	0.3B-1.8
2000	923A270G04	0.3B-1.8
3000	923A270G05	0.3B-1.8
4000	923A270G06	0.3B-1.8
600/1200	923A270G07	0.3B-0.5/B-1.8
1000/2000	923A270G08	0.3B-0.9/B-1.8
2000/4000	923A270G09	0.3B-1.8/B-1.8

**TYPE KOT-15 Bar type**

## Mounting base dimensions (in)



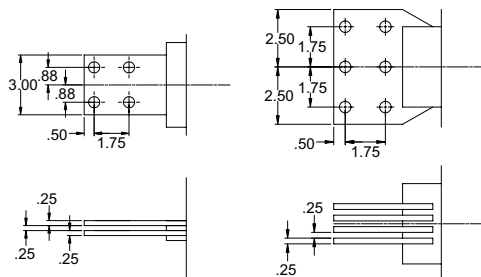
Relay* Accuracy	Rating Factor	Height (in.)	Width (in.)	Length (in.)	Weight (lbs.)
C100	2.0	17.25	10.50	26.75	52
C200	2.0	17.25	10.50	26.75	52
C200	2.0	17.25	10.50	26.75	52
C200	2.0	17.25	10.50	26.75	52
C200	1.5	17.25	10.50	26.75	52
C200	1.5	17.25	10.50	26.75	52
C100/C200	3.0/2.0	17.25	10.50	26.75	52
C100/C200	3.0/2.0	17.25	10.50	26.75	52
C100/C200	2.0/1.5	17.25	10.50	26.75	52

Relay* Accuracy	Rating Factor	Height (in.)	Width (in.)	Length (in.)	Weight (lbs.)
C100	2.0	17.25	10.50	36.12	75
C200	2.0	17.25	10.50	36.12	75
C200	2.0	17.25	10.50	36.12	75
C200	1.50	17.25	10.50	36.12	75
C200	1.33	17.25	10.50	36.12	107
C200	1.00	17.25	10.50	36.12	107
C100/C200	3.0/2.0	17.25	10.50	36.12	75
C100/C200	2.0/1.5	17.25	10.50	36.12	75
C100/C200	1.5/1.0	17.25	10.50	36.12	107

## Bar dimensions:

**Primary terminals:**  
 1200 amperes and below

**Primary terminals:**  
 Above 1200 amperes



Contact factory for 0.15S accuracy class

\* Accuracy 20% less at 50 Hertz

# TYPE KOTD-150

42-940

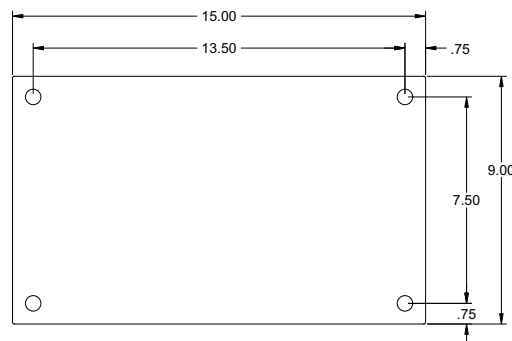
**150 kV BIL**  
Single, Double, & Multi Ratio  
Outdoor  
50/60 Hertz

**Tube Type**  
5" ID

Consult factory for 4" ID and for designs up to four secondaries.



Mounting Base Dimensions (in.)



	Primary Amps	Style Number	Rating Factor
<b>KOTD-150</b> <b>Tube Type</b> NSV 25 kV 150 kV BIL <b>Single Ratio</b>	400	923A155G01	2.0
	600	923A155G02	2.0
	800	923A155G03	2.0
	1000	923A155G04	2.0
	1200	923A155G05	2.0
	1600	923A155G06	2.0
	2000	923A155G07	2.0
	3000	923A155G08	1.5
	4000	923A155G09	1.25
	5000	923A155G10	1.0

<b>KOTD-150</b> <b>Tube Type</b> NSV 25 kV 150 kV BIL <b>Dual Ratio</b>	200/400	923A156G01	2.0/2.0
	300/600	923A156G02	2.0/2.0
	400/800	923A156G03	2.0/2.0
	500/1000	923A156G04	2.0/2.0
	600/1200	923A156G05	2.0/2.0
	800/1600	923A156G06	2.0/2.0
	1000/2000	923A156G07	2.0/2.0
	1500/3000	923A156G08	2.0/1.5
	2000/4000	923A156G09	2.0/1.25
	2500/5000	923A156G10	2.0/1.0

<b>KOTD-150</b> <b>Tube Type</b> NSV 25 kV 150 kV BIL <b>Multi Ratio</b>	600	923A157G01	2.0
	1200	923A157G02	2.0
	2000	923A157G03	1.0
	3000	923A157G04	1.33
	4000	923A157G05	1.0
	5000	923A157G06	1.0

IEEE Metering Accuracy	Relay Accuracy*	Height (in.)	Width (in.)	Length (in.)	Weight (lb.)
0.3B-0.5	C200	22.5	14.7	17	245
0.3B-0.9	C200	22.5	14.7	17	245
0.3B-1.8	C400	22.5	14.7	17	245
0.3B-1.8	C400	22.5	14.7	17	245
0.3B-1.8	C400	22.5	14.7	17	245
0.3B-1.8	C400	22.5	14.7	17	245
0.3B-1.8	C800	22.5	14.7	17	245
0.3B-1.8	C800	22.5	14.7	17	245
0.3B-1.8	C800	22.5	14.7	17	245
0.3B-1.8	C800	22.5	14.7	17	245

0.6B-0.2	C100/C200	22.5	14.7	17	245
0.3B-0.5					
0.3B-0.2	C100/C200	22.5	14.7	17	245
0.3B-0.9					
0.3B-0.5	C200/C400	22.5	14.7	17	245
0.3B-1.8					
0.3B-0.5	C200/C400	22.5	14.7	17	245
0.3B-1.8					
0.3B-0.9	C200/C400	22.5	14.7	17	245
0.3B-1.8					
0.3B-0.9	C200/C400	22.5	14.7	17	245
0.3B-1.8					
0.3B-1.8	C400/C800	22.5	14.7	17	245
0.3B-1.8					
0.3B-1.8	C400/C800	22.5	14.7	17	245
0.3B-1.8					
0.3B-1.8	C400/C800	22.5	14.7	17	245
0.3B-1.8					

0.3B-0.9	C200	22.5	14.7	17	245
0.3B-1.8	C400	22.5	14.7	17	245
0.3B-1.8	C800	22.5	14.7	17	245
0.3B-1.8	C800	22.5	14.7	17	245
0.3B-1.8	C800	22.5	14.7	17	245
0.3B-1.8	C800	22.5	14.7	17	245

\* Accuracy 20% less at 50 Hertz

# TYPE KOTD-150

42-940

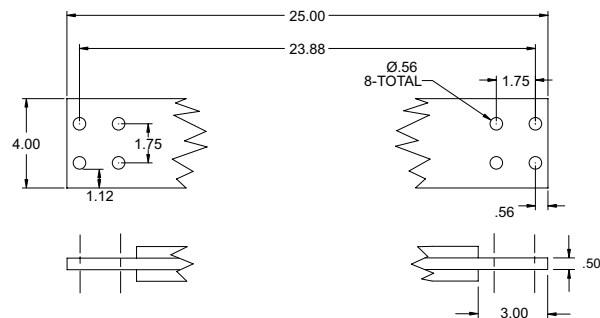
**150 kV BIL**  
Single, Double, & Multi Ratio  
Outdoor  
50/60 Hertz

**Bar Type**  
5" ID

Consult factory for designs up to four secondaries.



Bar Dimensions (in.)



Note: Base dimensions same as tube type KOTD

**KOTD-150**  
**Bar Type**  
NSV 25 kV  
150 kV BIL  
**Single Ratio**

Primary Amps	Style Number	Number of Bars	Rating Factor
600	923A161G01	1	2.0
1200	923A161G02	1	1.5
2000	923A161G03	1	1.0
3000	923A161G04	2	1.33
4000	923A161G05	2	1.0
5000	923A161G06	3	1.0
1500	923A161G07	1	2.0
6000	923A161G08	3	1.0
600	923A161G09	1	2.0
3200	923A161G10	2	1.0

**KOTD-150**  
**Bar Type**  
NSV 25 kV  
150 kV BIL  
**Double Ratio**

Primary Amps	Style Number	Number of Bars	Rating Factor
200/400	923A162G01	1	2.0/2.0
300/600	923A162G02	1	2.0/2.0
400/800	923A162G03	1	2.0/2.0
500/1000	923A162G04	1	2.0/2.0
600/1200	923A162G05	1	2.0/1.5
800/1600	923A162G06	1	2.0/1.25
1000/2000	923A162G07	1	2.0/1.0
1500/3000	923A162G08	2	2.0/1.33
2000/4000	923A162G09	2	2.0/1.0
2500/5000	923A162G10	3	2.0/1.0

**KOTD-150**  
**Bar Type**  
NSV 25 kV  
150 kV BIL  
**Multi Ratio**

Primary Amps	Style Number	Number of Bars	Rating Factor
600	923A163G01	1	2.0
1200	923A163G02	1	1.5
2000	923A163G03	1	1.0
3000	923A163G04	2	1.33
4000	923A163G05	2	1.0
5000	923A163G06	3	1.0

IEEE Metering Accuracy	Relay Accuracy*	Height (in.)	Width (in.)	Length (in.)	Weight (lb.)
0.3B-0.9	C200	22.5	14.7	25	260
0.3B-1.8	C400	22.5	14.7	25	260
0.3B-1.8	C800	22.5	14.7	25	260
0.3B-1.8	C800	22.5	14.7	25	260
0.3B-1.8	C800	22.5	14.7	25	260
0.3B-1.8	C800	22.5	14.7	25	260
0.3B-1.8	C800	22.5	14.7	25	260
0.3B-0.9	C800	22.5	14.7	25	260
0.3B-1.8	C800	22.5	14.7	25	260

0.6B-0.2		22.5	14.7	25	260
0.3B-0.5	C100/C200	22.5	14.7	25	260
0.3B-0.2		22.5	14.7	25	260
0.3B-0.9	C100/C200	22.5	14.7	25	260
0.3B-0.5		22.5	14.7	25	260
0.3B-1.8	C200/C400	22.5	14.7	25	260
0.3B-0.9		22.5	14.7	25	260
0.3B-1.8	C200/C400	22.5	14.7	25	260
0.3B-0.9		22.5	14.7	25	260
0.3B-1.8	C200/C400	22.5	14.7	25	260
0.3B-1.8		22.5	14.7	25	260
0.3B-1.8	C400/C800	22.5	14.7	25	260
0.3B-1.8		22.5	14.7	25	260
0.3B-1.8	C400/C800	22.5	14.7	25	260
0.3B-1.8		22.5	14.7	25	260
0.3B-1.8	C400/C800	22.5	14.7	25	260

0.3B-0.9	C200	22.5	14.7	25	260
0.3B-1.8	C400	22.5	14.7	25	260
0.3B-1.8	C800	22.5	14.7	25	260
0.3B-1.8	C800	22.5	14.7	25	260
0.3B-1.8	C800	22.5	14.7	25	260

\* Accuracy 20% less at 50 Hertz



# TYPE LG(X)-34-879

34500 Volts  
Outdoor  
200 kV BIL  
60 Hertz  
Tube type  
4.5" ID



Consult factory for dual core design options.

For factory installed bar kit, change the "1" following the X to "3".

	Primary Amps	Style Number	IEEE Metering Accuracy
TYPE LG-34-879	200	G092015S109-1	0.3B-0.1
	300	G093015S159-1	0.3B-0.2
	400	G094015S309-1	0.3B-0.5
	600	G096015S409-1	0.3B-1.8
	800	G098015S609-1	0.3B-1.8
	1000	G091025S809-1	0.3B-1.8
	1200	G091225S809-1	0.3B-1.8
	1500	G091525S809-1	0.3B-1.8
	2000	G092025S809-1	0.3B-1.8
	2500	G092525S809-1	0.3B-1.8
One second thermal/mechanical rating: 80 x full winding I <sub>nom</sub> /unlimited mechanical.	3000	G093025S809-1	0.3B-1.8
	4000	G094025S809-1	0.3B-1.8
	5000	G095025S809-1	0.3B-1.8
	6000	G096025S809-1	0.3B-1.8
	8000	G098025S809-1	0.3B-1.8
	10000	G091035S809-1	0.3B-1.8
	200/400	G092015D109-1	0.3B-0.1/0.3B-0.5
	300/600	G093015D209-1	0.3B-0.2/0.3B-1.8
	400/800	G094015D309-1	0.3B-0.5/0.3B-1.8
	600/1200	G096015D409-1	0.3B-1.8/0.3B-1.8
1000/2000	G091025D409-1	0.3B-1.8/0.3B-1.8	
1500/3000	G091525D809-1	0.3B-1.8/0.3B-1.8	

	Primary Amps	Style Number	IEEE Metering Accuracy
TYPE LGX-34-879 High accuracy	400	G094015X050-1NC	0.15S-B0.5/0.3S-B1.8
	600	G096015X090-1NC	0.15S-B0.9/0.3S-B1.8
	800 <sup>1</sup>	G098015X090-1NC	0.15S-B0.9/0.3S-B1.8
	1000 <sup>1</sup>	G091025X180-1NC	0.15S-B1.8
	1200 <sup>1</sup>	G091225X180-1NC	0.15S-B1.8
	1500 <sup>1</sup>	G091525X180-1NC	0.15S-B1.8
2000 <sup>1</sup>	G092025X180-1NC	0.15S-B1.8	

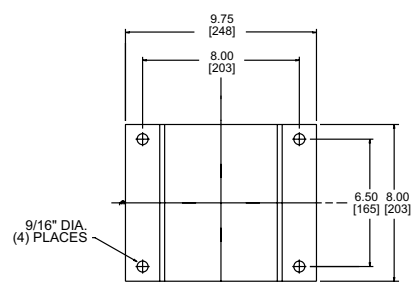
Accuracy is maintained from 5% rated current through its rating factor.

<sup>1</sup> Accuracy for this primary current is maintained down to 1% rated current.

For factory installed bar kit, change the "1" following the hyphen (-) to "3".

One second thermal/mechanical rating: 80 x full winding I<sub>nom</sub> /unlimited mechanical.

Mounting base dimensions (in. [mm])



Relay Accuracy	Rating Factor @ 30°C	Height (in.)	Width (in.)	Length (in.)	Weight (lbs)
C100	2.0	25.38	30.0	17.75	232
C150	2.0	25.38	30.0	17.75	232
C300	2.0	25.38	30.0	17.75	232
C400	2.0	25.38	30.0	17.75	232
C600	2.0	25.38	30.0	17.75	232
C800	2.0	25.38	30.0	17.75	232
C800	2.0	25.38	30.0	17.75	232
C800	2.0	25.38	30.0	17.75	232
C800	2.0	25.38	30.0	17.75	232
C800	2.0*	25.38	30.0	17.75	232
C800	1.5*	25.38	30.0	17.75	232
C800	1.5*	25.38	30.0	17.75	232
C800	1.5*	25.38	30.0	17.75	232
C800	1.25*	25.38	30.0	17.75	232
C800	1.0*	25.38	30.0	17.75	232
C100/C200	2.0/2.0	25.38	30.0	17.75	232
C200/C400	2.0/2.0	25.38	30.0	17.75	232
C300/C600	2.0/2.0	25.38	30.0	17.75	232
C400/C800	2.0/2.0	25.38	30.0	17.75	232
C400/C800	2.0/2.0	25.38	30.0	17.75	232
C800/C800	2.0/2.0*	25.38	30.0	17.75	232

\* If supplied with factory-installed bar kit, then rating factor is reduced to 5500 A max.

Rating Factor @ 30°C	Height (in.)	Width (in.)	Length (in.)	Weight (lbs.)
4.0	25.38	30.0	17.75	232
4.0	25.38	30.0	17.75	232
4.0	25.38	30.0	17.75	232
4.0	25.38	30.0	17.75	232
3.0	25.38	30.0	17.75	232
3.0	25.38	30.0	17.75	232
3.0*	25.38	30.0	17.75	232

\* If supplied with factory installed bar kit then, rating factory is reduced to 5500 A max.

# TYPE KOTD-200

42-940

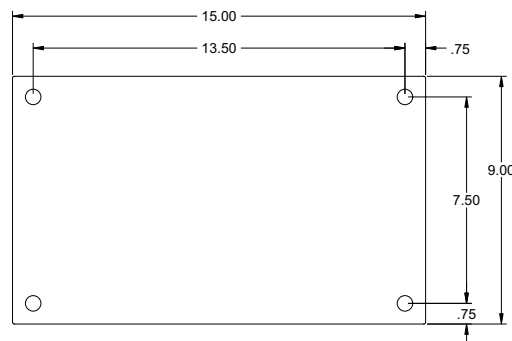
**200 kV BIL**  
Single, Double, & Multi Ratio  
Outdoor  
50/60 Hertz

**Tube Type**  
5" ID

Consult factory for 4" ID and for designs up to four secondaries.



Mounting Base Dimensions (in.)



**KOTD-200**  
**Tube Type**  
NSV 36 kV  
200 kV BIL  
Single Ratio

Primary Amps	Style Number	Rating Factor
400	923A203G01	2.0
600	923A203G02	2.0
800	923A203G03	2.0
1000	923A203G04	2.0
1200	923A203G05	1.5
1600	923A203G06	1.25
2000	923A203G07	1.0
3000	923A203G08	1.33
4000	923A203G09	1.0
5000	923A203G10	1.0

**KOTD-200**  
**Tube Type**  
NSV 36 kV  
200 kV BIL  
Dual Ratio

Primary Amps	Style Number	Rating Factor
200/400	923A170G01	2.0/2.0
300/600	923A170G02	2.0/2.0
400/800	923A170G03	2.0/2.0
500/1000	923A170G04	2.0/2.0
600/1200	923A170G05	2.0/2.0
800/1600	923A170G06	2.0/2.0
1000/2000	923A170G07	2.0/2.0
1500/3000	923A170G08	2.0/1.5
2000/4000	923A170G09	2.0/1.25
2500/5000	923A170G10	2.0/1.0

**KOTD-200**  
**Tube Type**  
NSV 36 kV  
200 kV BIL  
Multi Ratio

Primary Amps	Style Number	Rating Factor
600	923A171G01	2.0
1200	923A171G02	2.0
2000	923A171G03	1.0
3000	923A171G04	1.33
4000	923A171G05	1.0
5000	923A171G06	1.0

IEEE Metering Accuracy	Relay Accuracy*	Height (in.)	Width (in.)	Length (in.)	Weight (lb.)
0.3B-0.5	C200	25	14.7	17	260
0.3B-0.9	C200	25	14.7	17	260
0.3B-1.8	C400	25	14.7	17	260
0.3B-1.8	C400	25	14.7	17	260
0.3B-1.8	C400	25	14.7	17	260
0.3B-1.8	C400	25	14.7	17	260
0.3B-1.8	C800	25	14.7	17	260
0.3B-1.8	C800	25	14.7	17	260
0.3B-1.8	C800	25	14.7	17	260
0.3B-1.8	C800	20	14.7	17	260

0.6B-0.2					
0.3B-0.5	C100/C200	25	14.7	17	260
0.3B-0.2					
0.3B-0.9	C100/C200	25	14.7	17	260
0.3B-0.5					
0.3B-1.8	C200/C400	25	14.7	17	260
0.3B-0.5					
0.3B-1.8	C200/C400	25	14.7	17	260
0.3B-0.9					
0.3B-1.8	C200/C400	25	14.7	17	260
0.3B-0.9					
0.3B-1.8	C200/C400	25	14.7	17	260
0.3B-1.8					
0.3B-1.8	C400/C800	25	14.7	17	260
0.3B-1.8					
0.3B-1.8	C400/C800	25	14.7	17	260
0.3B-1.8					
0.3B-1.8	C400/C800	25	14.7	17	260
0.3B-1.8					

0.3B-0.9	C200	25	15.3	17	260
0.3B-1.8	C400	25	15.3	17	260
0.3B-1.8	C800	25	15.3	17	260
0.3B-1.8	C800	25	15.3	17	260
0.3B-1.8	C800	25	15.3	17	260
0.3B-1.8	C800	25	15.3	17	260

\* Accuracy 20% less at 50 Hertz

# TYPE KOTD-200

42-940

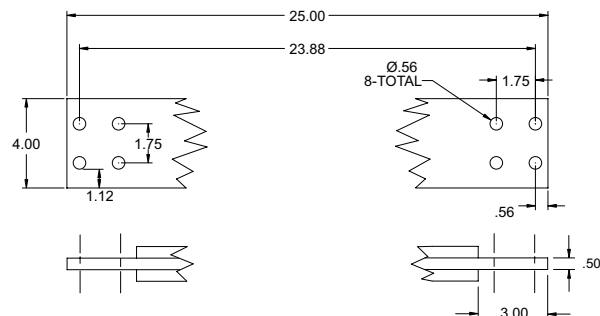
**200 kV BIL**  
Single, Double, & Multi Ratio  
Outdoor  
50/60 Hertz

**Bar Type**  
5" ID

Consult factory for designs up to four secondaries.



Bar Dimensions (in.)



Note: Base dimensions same as tube type KOTD

Primary Amps	Style Number	Number of Bars	Rating Factor
<b>KOTD-200</b>			
<b>Bar Type</b>			
<b>NSV 36 kV</b>			
<b>200 kV BIL</b>			
<b>Single Ratio</b>			
400	923A175G01	1	2.0
600	923A175G02	1	2.0
800	923A175G03	1	2.0
1000	923A175G04	1	2.0
1200	923A175G05	1	1.5
1600	923A175G06	1	1.25
2000	923A175G07	1	1.0
3000	923A175G08	2	1.33
4000	923A175G09	2	1.0
5000	923A175G10	3	1.0

Primary Amps	Style Number	Number of Bars	Rating Factor
<b>KOTD-200</b>			
<b>Bar Type</b>			
<b>NSV 36 kV</b>			
<b>200 kV BIL</b>			
<b>Double Ratio</b>			
200/400	923A176G01	1	2.0/2.0
300/600	923A176G02	1	2.0/2.0
400/800	923A176G03	1	2.0/2.0
500/1000	923A176G04	1	2.0/2.0
600/1200	923A176G05	1	2.0/1.5
800/1600	923A176G06	1	2.0/1.25
1000/2000	923A176G07	1	2.0/1.0
1500/3000	923A176G08	2	2.0/1.33
2000/4000	923A176G09	2	2.0/1.0
2500/5000	923A176G10	3	2.0/1.0

Primary Amps	Style Number	Number of Bars	Rating Factor
<b>KOTD-200</b>			
<b>Bar Type</b>			
<b>NSV 36 kV</b>			
<b>200 kV BIL</b>			
<b>Multi Ratio</b>			
600	923A177G01	1	2.0
1200	923A177G02	1	1.5
2000	923A177G03	1	1.0
3000	923A177G04	2	1.33
4000	923A177G05	2	1.0
5000	923A177G06	3	1.0

IEEE Metering Accuracy	Relay Accuracy*	Height (in.)	Width (in.)	Length (in.)	Weight (lb.)
0.3B-0.5	C200	25	14.7	25	275
0.3B-0.9	C200	25	14.7	25	275
0.3B-1.8	C400	25	14.7	25	275
0.3B-1.8	C400	25	14.7	25	275
0.3B-1.8	C400	25	14.7	25	275
0.3B-1.8	C400	25	14.7	25	275
0.3B-1.8	C800	25	14.7	25	275
0.3B-1.8	C800	25	14.7	25	275
0.3B-1.8	C800	25	14.7	25	275
0.3B-1.8	C800	25	14.7	25	275

IEEE Metering Accuracy	Relay Accuracy*	Height (in.)	Width (in.)	Length (in.)	Weight (lb.)
0.6B-0.2	C100/C200	25	14.7	25	275
0.3B-0.5	C100/C200	25	14.7	25	275
0.3B-0.2	C100/C200	25	14.7	25	275
0.3B-0.9	C200/C400	25	14.7	25	275
0.3B-0.5	C200/C400	25	14.7	25	275
0.3B-1.8	C200/C400	25	14.7	25	275
0.3B-0.9	C200/C400	25	14.7	25	275
0.3B-1.8	C200/C400	25	14.7	25	275
0.3B-1.8	C400/C800	25	14.7	25	275
0.3B-1.8	C400/C800	25	14.7	25	275
0.3B-1.8	C400/C800	25	14.7	25	275
0.3B-1.8	C400/C800	25	14.7	25	275

IEEE Metering Accuracy	Relay Accuracy*	Height (in.)	Width (in.)	Length (in.)	Weight (lb.)
0.3B-0.9	C200	25	14.7	25	275
0.3B-1.8	C400	25	14.7	25	275
0.3B-1.8	C800	25	14.7	25	275
0.3B-1.8	C800	25	14.7	25	275
0.3B-1.8	C800	25	14.7	25	275
0.3B-1.8	C800	25	14.7	25	275

\* Accuracy 20% less at 50 Hertz

# 5 kV - 36 kV Indoor Voltage Transformers

## TYPE VIY-60

1VAP429511-DB

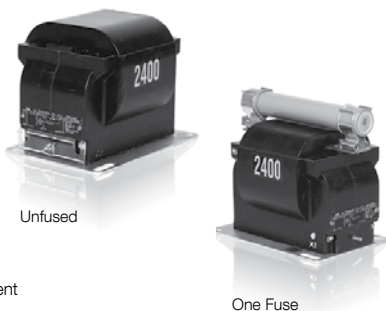
Equivalent to GE-ITI Models PTW3-1-60 and PTW3-2-60

Indoor  
60 kV BIL  
60 Hertz

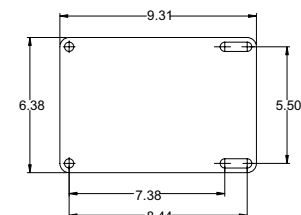
Thermal Rating:<sup>①</sup>  
1000 VA at 30° C  
700 VA at 55° C



UL Recognized Component



Mounting Base Dimensions (in.)



Indicating fuses are Type CLE-PT, 1.0, 5.5 kV, Style number 50C5225G06  
Non-indicating fuses are Type CLE-PT, 2.0, 5.5 kV, Style number 9626A33H03

	Primary Voltage	Style Number	Ratio
<b>Unfused</b>	2400/4160Y	7525A50G01	20:1
	4200/4200Y	7525A50G02	35:1
	4800/4800Y	7525A50G03	40:1
<b>2 Fuses</b>	2400/4160Y	7525A51G01	20:1
	4200/4200Y	7525A51G02	35:1
	4800/4800Y	7525A51G03	40:1
<b>1 Fuse<sup>④</sup></b>	2400/4160GY	7525A52G01	20:1
	4200/4200GY <sup>②</sup>	7525A52G02	35:1
	4800/4800GY <sup>②</sup>	7525A52G03	40:1
<b>Switchgear Style<sup>③</sup></b>	2400/4160Y	7525A54G01	20:1
	4200/4200Y	7525A54G02	35:1
	4800/4800Y	7525A54G03	40:1
<b>Switchgear Style<sup>③④</sup></b>	2400/4160GY	7525A55G01	20:1
	4200/4200GY <sup>②</sup>	7525A55G02	35:1
	4800/4800GY <sup>②</sup>	7525A55G03	40:1
<b>1 Fuse Non-indicating</b>	2400/4160GY <sup>④</sup>	9628A11G01	20:1
	4200/4200GY <sup>④</sup>	9628A11G02	35:1
	4800/4800GY <sup>④</sup>	9628A11G03	40:1
<b>2 Fuses Non-indicating</b>	2400/4160Y	9628A12G01	20:1
	4200/4200Y	9628A12G02	35:1
	4800/4800Y	9628A12G03	40:1

IEEE Metering Accuracy <sup>①</sup>	Height (in.)	Width (in.)	Length (in.)	Weight (lb.)
0.3W, X, M Y	6.90	6.37	9.63	32
0.3W, X, M Y	6.90	6.37	9.63	32
0.3W, X, M Y	6.90	6.37	9.63	32
0.3W, X, M Y	8.25	6.75	10.00	36
0.3W, X, M Y	8.25	6.75	10.00	36
0.3W, X, M Y	8.25	6.75	10.00	36
0.3W, X, M Y	8.56	6.37	10.00	34
0.3W, X, M Y	8.56	6.37	10.00	34
0.3W, X, M Y	8.56	6.37	10.00	34
0.3W, X, M Y	6.90	6.37	9.63	32
0.3W, X, M Y	6.90	6.37	9.63	32
0.3W, X, M Y	6.90	6.37	9.63	32
0.3W, X, M Y	6.90	6.37	9.63	32
0.3W, X, M Y	8.51	6.38	9.63	37
0.3W, X, M Y	8.51	6.38	9.63	37
0.3W, X, M Y	8.51	6.38	9.63	37
0.3W, X, M Y	8.20	6.38	9.63	39
0.3W, X, M Y	8.20	6.38	9.63	39
0.3W, X, M Y	8.20	6.38	9.63	39

- ① Thermal and Accuracy ratings for 120 V secondary voltage.
- ② Fluxed for line-to-line voltage; when connected line-to-ground, normal secondary voltage is 69.3 volts.
- ③ Switchgear style is similar to fused style except fuse, fuse clips, and secondary terminal cover are omitted.
- ④ One fully insulated primary terminal for line-to-ground connection only.

Contact factory for 50 Hertz designs

## TYPE VIZ-75

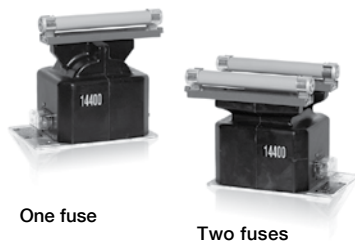
Equivalent to GE-ITI Models PTW4-1-75 and PTW4-2-75

**Indoor**  
75 kV BIL  
60 Hertz

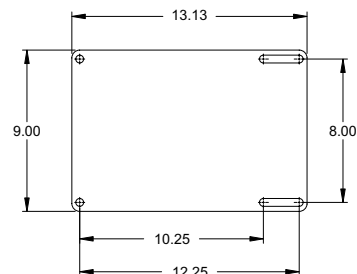
**Thermal Rating:** <sup>1</sup>  
1500 VA at 30°C  
1000 VA at 55°C



UL Recognized Component



### Mounting base dimensions (in)



	Primary Voltage	Style Number	Ratio
<b>VIZ-75</b> 75 kV BIL <b>Unfused</b>	2400/4160Y	7525A66G01	20:1
	4200/7280Y	7525A66G02	35:1
	4800/8320Y	7525A66G03	40:1
	7200/7200Y	7525A66G04	60:1
<b>VIZ-75</b> 75 kV BIL <b>Switchgear style</b> <sup>3</sup>	2400/4160Y	7525A70G01	20:1
	4200/7280Y	7525A70G02	35:1
	4800/8320Y	7525A70G03	40:1
	7200/7200Y	7525A70G04	60:1
<b>VIZ-75</b> 75 kV BIL <b>Switchgear style</b> <sup>3 4</sup>	2400/4160GY	7525A71G01	20:1
	4200/7280GY	7525A71G02	35:1
	4800/8320GY	7525A71G03	40:1
	7200/7200GY <sup>2</sup>	7525A71G04	60:1
<b>VIZ-75</b> 75 kV BIL <b>Fuse clips only</b> <b>Four terminals</b>	2400/4160Y	9628A17G01	20:1
	4200/7280Y	9628A17G02	35:1
	4800/8320Y	9628A17G03	40:1
	7200/7200Y	9628A17G04	60:1
<b>VIZ-75</b> 75 kV BIL <b>2 fuses</b>	2400/4160Y	7525A67G01	20:1
	4200/7280Y	7525A67G02	35:1
	4800/8320Y	7525A67G03	40:1
	7200/7200Y	7525A67G04	60:1
<b>VIZ-75</b> 75 kV BIL <b>1 fuse</b>	2400/4160GY	7525A68G01	20:1
	4200/7280GY	7525A68G02	35:1
	4800/8320GY	7525A68G03	40:1
	7200/7200GY	7525A68G04	60:1

IEEE Metering <sup>1</sup> Accuracy	Height (in.)	Width (in.)	Length (in.)	Weight (lbs.)
0.3W, X, M Y, Z	9.00	9.25	13.12	65
0.3W, X, M Y, Z	9.00	9.25	13.12	65
0.3W, X, M Y, Z	9.00	9.25	13.12	65
0.3W, X, M Y, Z	9.00	9.25	13.12	65
0.3W, X, M Y, Z	9.00	9.25	13.12	65
0.3W, X, M Y, Z	9.81	9.25	13.12	65
0.3W, X, M Y, Z	9.81	9.25	13.12	65
0.3W, X, M Y, Z	9.81	9.25	13.12	65
0.3W, X, M Y, Z	9.81	9.25	13.12	65
0.3W, X, M Y, Z	11.25	9.25	15.50	69
0.3W, X, M Y, Z	11.25	9.25	15.50	69
0.3W, X, M Y, Z	11.25	9.25	15.50	69
0.3W, X, M Y, Z	11.25	9.25	15.50	69
0.3W, X, M Y, Z	11.25	9.25	15.50	69
0.3W, X, M Y, Z	12.18	9.25	15.50	67
0.3W, X, M Y, Z	12.18	9.25	15.50	67
0.3W, X, M Y, Z	12.18	9.25	15.50	67
0.3W, X, M Y, Z	12.18	9.25	15.50	67

Contact factory for 50 Hz designs.

- <sup>①</sup> Thermal and Accuracy ratings for 120 V secondary voltage.
- <sup>②</sup> Fluxed for line-to-line voltage; when connected line-to-ground, normal secondary voltage is 69.3 volts.
- <sup>③</sup> Switchgear style is similar to fused style except fuse, fuse clips, and secondary terminal cover are omitted.
- <sup>④</sup> One fully insulated primary terminal for line-to-ground connection only.

**Accessories for line-to-line units:**

Fuse kit to convert unfused VIZ-75 to fused style (two fuses and hardware): 7527A98G01

**Replacement fuses:**

CLE-PT, 0.5, 15.5 kV: 50C5225G03  
CLE-PT, 1.0, 15.5 kV: 50C5225G08

**Accessories for line-to-ground units:**

Fuse kit to convert unfused VIZ-75 to fused style (one fuse and hardware): 7527A98G02

# 5 kV - 36 kV Indoor Voltage Transformers

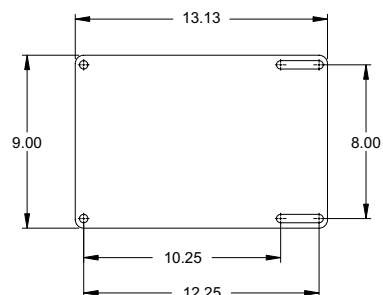
## TYPE VIZ-75E

**Indoor**  
**75 kV BIL**  
 60 Hertz

**Thermal Rating:**  
 1500 VA at 30°C  
 1000 VA at 55°C



### Mounting base dimensions (in)



	Primary Voltage	Style Number	Ratio
VIZ-75E	2400/4160Y	923A125G01	20:1
75 kV BIL	4160/4160Y	923A125G12	34:67:1
2 fuses	4200/7280Y	923A125G02	35:1
<b>Special high accuracy</b>	4800/8320Y	923A125G03	40:1
	7200/7200Y	923A125G04	60:1

IEEE Metering Accuracy	Height (in.)	Width (in.)	Length (in.)	Weight (lbs.)
0.15W thru Y	11.25	9.25	15.50	69
0.15W thru Y	11.25	9.25	15.50	69
0.15W thru Y	11.25	9.25	15.50	69
0.15W thru Y	11.25	9.25	15.50	69
0.15W thru Y	11.25	9.25	15.50	69

Contact factory for 50 Hz designs.

- ① Thermal and Accuracy ratings for 120 V secondary voltage.
- ② Fluxed for line-to-line voltage; when connected line-to-ground, normal secondary voltage is 69.3 volts.
- ③ Switchgear style is similar to fused style except fuse, fuse clips, and secondary terminal cover are omitted.
- ④ One fully insulated primary terminal for line-to-ground connection only.

# 5 kV - 36 kV Indoor Voltage Transformers

## TYPE VIZ-11

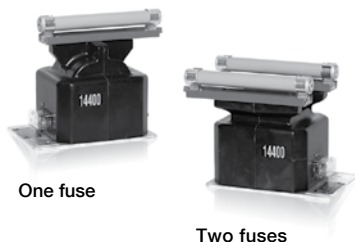
Equivalent to GE-ITI Models PTW5-1-110 and PTW5-2-110

Indoor  
110 kV BIL  
60 Hertz

Thermal Rating: <sup>1</sup>  
1500 VA at 30°C  
1000 VA at 55°C



UL Recognized Component

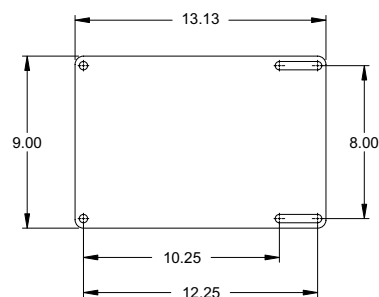


One fuse

Two fuses

### Mounting base dimensions (in)

1VAP429551-DB



	Primary Voltage	Style Number	Ratio
<b>VIZ-11</b> 110 kV BIL <b>Unfused</b>	7200/12470Y	7525A66G05	60:1
	8400/14560Y	7525A66G07	70:1
	12000/12000Y	7525A66G08	100:1
	14400/14400Y	7525A66G10	120:1

	Primary Voltage	Style Number	Ratio
<b>VIZ-11</b> 110 kV BIL <b>Switchgear style</b> <sup>3 4</sup>	7200/12470Y	7525A70G05	60:1
	8400/14560Y	7525A70G07	70:1
	12000/12000Y	7525A70G08	100:1
	14400/14400Y	7525A70G10	120:1

	Primary Voltage	Style Number	Ratio
<b>VIZ-11</b> 110 kV BIL <b>Switchgear style</b> <sup>3 4</sup>	7200/12470GY	7525A71G05	60:1
	8400/14560GY	7525A71G07	70:1
	12000/12000GY	7525A71G08	100:1
	14400/14400GY	7525A71G10	120:1

	Primary Voltage	Style Number	Ratio
<b>VIZ-11</b> 110 kV BIL <b>Fuse clips only</b> <b>Four terminals</b>	7200/12470Y	9628A17G05	60:1
	7620/13200Y	9628A17G06	63.5:1
	8400/14560Y	9628A17G07	70:1
	12000/12000Y	9628A17G08	100:1
	13200/13200Y	9628A17G09	110:1
14400/14400Y	9628A17G10	120:1	

IEEE Metering Accuracy <sup>①</sup>	Height (in.)	Width (in.)	Length (in.)	Weight (lbs.)
0.3W, X, M Y, Z	9.00	9.25	13.12	65
0.3W, X, M Y, Z	9.00	9.25	13.12	65
0.3W, X, M Y, Z	9.00	9.25	13.12	65
0.3W, X, M Y, Z	9.00	9.25	13.12	65

IEEE Metering Accuracy	Height (in.)	Width (in.)	Length (in.)	Weight (lbs.)
0.3W, X, M Y, Z	9.00	9.25	13.12	65
0.3W, X, M Y, Z	9.00	9.25	13.12	65
0.3W, X, M Y, Z	9.00	9.25	13.12	65
0.3W, X, M Y, Z	9.00	9.25	13.12	65

IEEE Metering Accuracy	Height (in.)	Width (in.)	Length (in.)	Weight (lbs.)
0.3W, X, M Y, Z	9.81	9.25	13.12	65
0.3W, X, M Y, Z	9.81	9.25	13.12	65
0.3W, X, M Y, Z	9.81	9.25	13.12	65
0.3W, X, M Y, Z	9.81	9.25	13.12	65

IEEE Metering Accuracy	Height (in.)	Width (in.)	Length (in.)	Weight (lbs.)
0.3W, X, M, Y, Z	11.25	9.25	15.50	69
0.3W, X, M, Y, Z	11.25	9.25	15.50	69
0.3W, X, M, Y, Z	11.25	9.25	15.50	69
0.3W, X, M, Y, Z	11.25	9.25	15.50	69
0.3W, X, M, Y, Z	11.25	9.25	15.50	69
0.3W, X, M, Y, Z	11.25	9.25	15.50	69

Contact factory for 50 Hz designs.

#### Optional accessories for line-to-line units:

Fuse kit to convert unfused VIZ-11 to fused style:  
(two fuses and hardware) 7527A98G01

#### Optional accessories for line-to-ground units:

Fuse kit to convert unfused VIZ-11 to fused style:  
(one fuse and hardware) 7527A98G02

#### Replacement fuses:

CLE-PT, 0.5, 15.5 kV 50C5225G03  
CLE-PT, 1.0, 15.5 kV 50C5225G08

- <sup>①</sup> Thermal and Accuracy ratings for 120 V secondary voltage.
- <sup>②</sup> Fluxed for line-to-line voltage; when connected line-to-ground, normal secondary voltage is 69.3 volts.
- <sup>③</sup> Switchgear style is similar to fused style except fuse, fuse clips, and secondary terminal cover are omitted.
- <sup>④</sup> One fully insulated primary terminal for line-to-ground connection only.

# TYPE VIZ-11 (cont'd)

Equivalent to GE-ITI Models PTW5-1-110 and PTW5-2-110

**Indoor**  
110 kV BIL  
60 Hertz

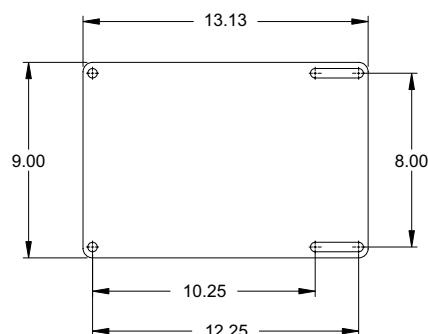
**Thermal Rating:** <sup>1</sup>  
1500 VA at 30°C  
1000 VA at 55°C



UL Recognized Component



Mounting base dimensions (in)



	Primary Voltage	Style Number	Ratio
VIZ-11 110 kV BIL Fuse clips only Two terminals	2400/4160GY	7525A65G02	20:1
	4200/7280GY	7525A65G03	35:1
	4800/8320GY	7525A65G05	40:1
	7200/12470GY	7525A65G13	60:1
	7620/13200GY	7525A65G16	63.5:1
	8400/14560GY	7525A65G09	70:1
	12000/12000GY	7525A65G12	100:1
	13200/13200GY	7525A65G15	110:1
	14400/14400GY	7525A65G18	120:1

	Primary Voltage	Style Number	Ratio
VIZ-11 110 kV BIL 2 fuses	7200/12470Y	7525A67G05	60:1
	8400/14560Y	7525A67G07	70:1
	12000/12000Y	7525A67G08	100:1
	14400/14400Y	7525A67G10	120:1

	Primary Voltage	Style Number	Ratio
VIZ-11 110 kV BIL 1 fuse <sup>4</sup>	7200/12470GY	7525A68G05	60:1
	8400/14560GY	7525A68G07	70:1
	12000/12000GY	7525A68G08	100:1
	14400/14400GY	7525A68G10	120:1

IEEE Metering Accuracy <sup>1</sup>	Height (in.)	Width (in.)	Length (in.)	Weight (lbs.)
0.3W, X, M, Y, Z	12.18	9.25	13.12	67
0.3W, X, M, Y, Z	12.18	9.25	13.12	67
0.3W, X, M, Y, Z	12.18	9.25	13.12	67
0.3W, X, M, Y, Z	12.18	9.25	13.12	67
0.3W, X, M, Y, Z	12.18	9.25	13.12	67
0.3W, X, M, Y, Z	12.18	9.25	13.12	67
0.3W, X, M, Y, Z	12.18	9.25	13.12	67
0.3W, X, M, Y, Z	12.18	9.25	13.12	67
0.3W, X, M, Y, Z	12.18	9.25	13.12	67

IEEE Metering Accuracy	Height (in.)	Width (in.)	Length (in.)	Weight (lbs.)
0.3W, X, M, Y, Z	11.25	9.25	15.50	69
0.3W, X, M, Y, Z	11.25	9.25	15.50	69
0.3W, X, M, Y, Z	11.25	9.25	15.50	69
0.3W, X, M, Y, Z	11.25	9.25	15.50	69

IEEE Metering Accuracy	Height (in.)	Width (in.)	Length (in.)	Weight (lbs.)
0.3W, X, M, Y, Z	12.18	9.25	15.50	67
0.3W, X, M, Y, Z	12.18	9.25	15.50	67
0.3W, X, M, Y, Z	12.18	9.25	15.50	67
0.3W, X, M, Y, Z	12.18	9.25	15.50	67

**Optional accessories for line-to-line units:**

Fuse kit to convert unfused VIZ-11 to fused style:  
(two fuses and hardware) 7527A98G01

**Optional accessories for line-to-ground units:**

Fuse kit to convert unfused VIZ-11 to fused style:  
(one fuse and hardware) 7527A98G02

**Replacement fuses:**

CLE-PT, 0.5, 15.5 kV 50C5225G03  
CLE-PT, 1.0, 15.5 kV 50C5225G08

- <sup>①</sup> Thermal and Accuracy ratings for 120 V secondary voltage.
- <sup>②</sup> Fluxed for line-to-line voltage; when connected line-to-ground, normal secondary voltage is 69.3 volts.
- <sup>③</sup> Switchgear style is similar to fused style except fuse, fuse clips, and secondary terminal cover are omitted.
- <sup>④</sup> One fully insulated primary terminal for line-to-ground connection only.



# 5 kV - 36 kV Indoor Voltage Transformers

## TYPE VIZ-11E

Indoor  
75 kV and 110 kV BIL  
60 Hertz

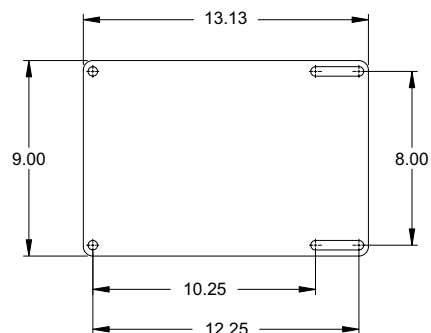
Thermal Rating:  
1500 VA at 30°C  
1000 VA at 55°C



UL Recognized Component



Mounting base dimensions (in)



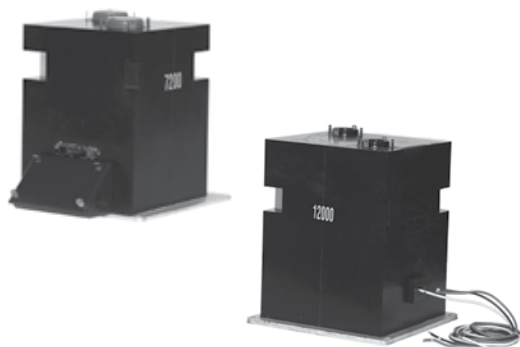
	Primary Voltage	Style Number	Ratio
VIZ-11E	7200/12470Y	923A125G05	60:1
110 kV BIL	7620/13200Y	923A125G06	63.5:1
	8400/14560Y	923A125G07	70:1
<b>2 Fuses</b>	12000/12000Y	923A125G08	100:1
<b>Special high accuracy</b>	13200/13200Y	923A125G09	110:1
	14400/14400Y	923A125G10	120:1

IEEE Metering Accuracy	Height (in.)	Width (in.)	Length (in.)	Weight (lbs.)
0.15W thru Y	11.25	9.25	15.50	69
0.15W thru Y	11.25	9.25	15.50	69
0.15W thru Y	11.25	9.25	15.50	69
0.15W thru Y	11.25	9.25	15.50	69
0.15W thru Y	11.25	9.25	15.50	69
0.15W thru Y	11.25	9.25	15.50	69

# TYPES VIL-95 and VIL-95S

1VAP429581-DB

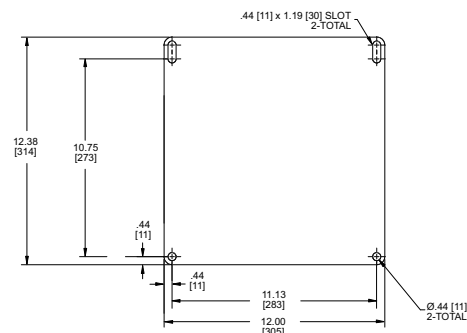
Indoor  
95 kV BIL  
60 Hertz



**Thermal Rating:**  
**VIL-95:**  
1500 VA at 30° C  
1000 VA at 55° C

**VIL-95S:**  
750 VA at 30° C  
500 VA at 55° C

## Mounting Base Dimensions (in.)



	Primary Voltage	Style Number	Ratio
Type VIL-95 (Junction box)	2400/4160Y	7881A93G01	20:1
	4200/7280Y	7881A93G02	35:1
	4800/8320Y	7881A93G03	40:1
	7200/12470Y	7881A93G04	60:1
	7620/13200Y	7881A93G05	63.5:1
	8400/14560Y	7881A93G06	70:1
	12000/12000Y	7881A93G07	100:1
	13200/13200Y	7881A93G08	110:1
	14400/14400Y	7881A93G09	120:1

IEEE Metering Accuracy	Height (in.)	Width (in.)	Length (in.)	Weight (lb.)
0.3Z	13.94	15.55	12.0	105
0.3Z	13.94	15.55	12.0	105
0.3Z	13.94	15.55	12.0	105
0.3Z	13.94	15.55	12.0	105
0.3Z	13.94	15.55	12.0	105
0.3Z	13.94	15.55	12.0	105
0.3Z	13.94	15.55	12.0	105
0.3Z	13.94	15.55	12.0	105

Type VIL-95S (Cable leads)	2400/4160Y	7883A12G01	20:1
	4200/7280Y	7883A12G02	35:1
	4800/8320Y	7883A12G03	40:1
	7200/12470Y	7883A12G04	60:1
	7620/13200Y	7883A12G05	63.5:1
	8400/14560Y	7883A12G06	70:1
	12000/12000Y	7883A12G07	100:1
	7970/13800Y	7883A12G08	110:1
	6928/12000Y	7883A12G09	120:1

0.3Y	13.94	12.0	12.38	105
0.3Y	13.94	12.0	12.38	105
0.3Y	13.94	12.0	12.38	105
0.3Y	13.94	12.0	12.38	105
0.3Y	13.94	12.0	12.38	105
0.3Y	13.94	12.0	12.38	105
0.3Y	13.94	12.0	12.38	105
0.3Y	13.94	12.0	12.38	105

# 5 kV - 36 kV Indoor Voltage Transformers

## TYPES VIL-12 and VIL-12S

1VAP429581-DB

Indoor  
125 kV BIL  
60 Hertz

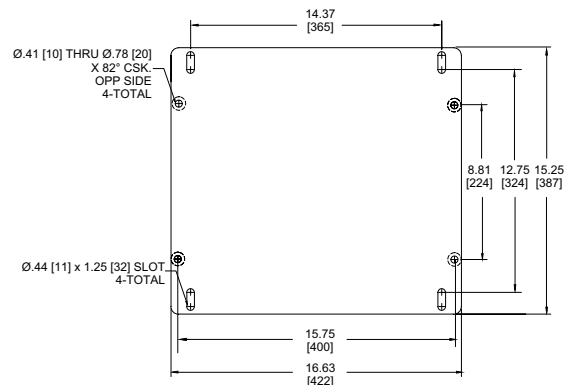


**Thermal Rating:**

**VIL-12:**  
1500 VA at 30° C  
1000 VA at 55° C

**VIL-12S:**  
1000 VA at 30° C  
500 VA at 55° C

### Mounting Base Dimensions (in.)



	Primary Voltage	Style Number	Ratio
Type VIL-12 (Junction box)	7200/12470Y	923A362G01	60:1
	7620/13200Y	923A362G02	63.5:1
	8400/14560Y	923A362G03	70:1
	12000/20780Y	923A362G04	100:1
	14400/24940Y	923A362G05	120:1
	18000/18000Y	923A362G06	150:1
	24000/24000Y	923A362G07	200:1

IEEE Metering Accuracy	Height (in.)	Width (in.)	Length (in.)	Weight (lb.)
0.3Z	16.0	15.25	17.75	210
0.3Z	16.0	15.25	17.75	210
0.3Z	16.0	15.25	17.75	210
0.3Z	16.0	15.25	17.75	210
0.3Z	16.0	15.25	17.75	210
0.3Z	16.0	15.25	17.75	210
0.3Z	16.0	15.25	17.75	210

	Primary Voltage	Style Number	Ratio
Type VIL-12S (Cable leads)	7200/12470Y	923A363G01	60:1
	7620/13200Y	923A363G02	63.5:1
	8400/14560Y	923A363G03	70:1
	12000/20780Y	923A363G04	100:1
	14400/24940Y	923A363G05	120:1
	18000/18000Y	923A363G06	150:1
	24000/24000Y	923A363G07	200:1

IEEE Metering Accuracy	Height (in.)	Width (in.)	Length (in.)	Weight (lb.)
0.3Y	16.0	15.25	15.25	210
0.3Y	16.0	15.25	15.25	210
0.3Y	16.0	15.25	15.25	210
0.3Y	16.0	15.25	15.25	210
0.3Y	16.0	15.25	15.25	210
0.3Y	16.0	15.25	15.25	210
0.3Y	16.0	15.25	15.25	210

Contact factory for 50 Hz designs.

# 5 kV - 36 kV Indoor Voltage Transformers

## TYPE VIZ-12

1VAP429762-DB

Equivalent to GE-ITI Models PT6-1-125 and PT6-2-125

**Indoor**  
**125 kV BIL**  
 60 Hertz  
 Unfused

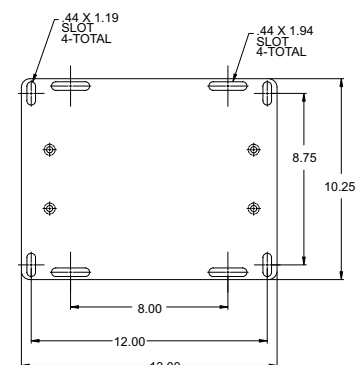
**Thermal Rating:**  
 2000 VA @ 30°C ambient  
 1500 VA @ 55°C ambient

**IEEE Metering Accuracy:**  
 0.3W, X, M, Y, Z & 1.2 ZZ



**Fuse kit:** Style # 9628A05G72 (for remote mounting)  
 Contains two CLE-PT fuses-0.5, 25.5 kV (style # 50C5225G04) and hardware)

**Mounting Base Dimensions (in.)**



	Primary Voltage	Winding Ratio	Style Number
<b>VIZ-12</b> <b>Unfused</b>	18000/18000Y	150:1	9628A33G01
	21000/21000Y	175:1	9628A33G02
	24000/24000Y	200:1	9628A33G03

	Rated Voltage Factor	Height (in.)	Width (in.)	Length (in.)	Weight (lb.)
	1.1	10.50	10.25	13.0	110
	1.1	10.50	10.25	13.0	110
	1.1	10.50	10.25	13.0	110

## TYPE VIZ-12G

1VAP429762-DB

**Indoor**  
**125 kV BIL**  
 60 Hertz

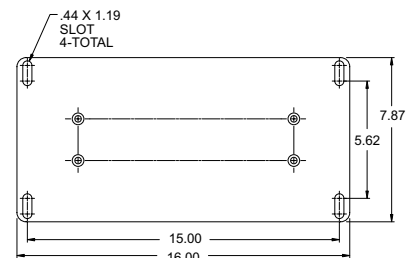
**Thermal Rating:**  
 1500 VA @ 30°C Ambient  
 750 VA @ 55°C Ambient

**IEEE Metering Accuracy:**  
 0.3 W, X, M, Y, & Z



**Fuse kit:** Style # 9628A05G68 to convert unfused VIZ-12G to fused style  
 Contains one CLE-PT fuse-0.5, 25.5 kV (style # 50C5225G04) and hardware

**Mounting Base Dimensions (in.)**



	Primary Voltage	Winding Ratio	Style Number
<b>VIZ-12G</b> <b>Unfused</b>	12000/20780GY	100:1	7881A72G01
	14400/24940GY	120:1	7881A72G02
	16000/27600GY	133.33:1	7881A72G03
	18000/18000GY	150:1	7881A72G04
	14400/24940GY	120:1	7881A72G05
<b>VIZ-12G</b> <b>Fused</b>	12000/20780GY	100:1	7881A64G01
	14400/24940GY	120:1	7881A64G02

	Rated Voltage Factor	Height (in.)	Width (in.)	Length (in.)	Weight (lb.)
	1.25	12.13	8.0	16.0	102
	1.25	12.13	8.0	16.0	102
	1.25	12.13	8.0	16.0	102
	1.1	12.13	8.0	16.0	102
	1.25	12.13	8.0	16.0	102
	1.25	14.88	8.0	19.0	105
	1.25	14.88	8.0	19.0	105

Contact factory for 50 Hz designs.

# 5 kV - 36 kV Indoor Voltage Transformers

## TYPE VIZ-15

1VAP429761-DB

Equivalent to GE-ITI Models PT7-1-150 and PT7-2-150

**Indoor**  
150 kV BIL  
60 Hertz  
Unfused

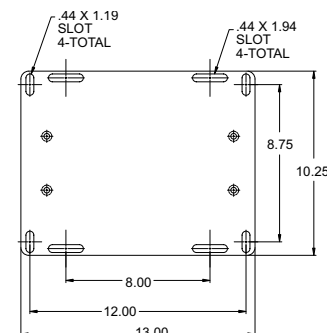


**Thermal Rating:**  
2000 VA @ 30°C Ambient  
1500 VA @ 55°C Ambient

**IEEE Metering Accuracy:**  
0.3W, X, M, Y, Z, & 1.2 ZZ

**Fuse kit:** Style # 9628A05G86 (for remote mounting)  
Contains two CLE-PT fuses-0.5, 25.5 kV (style # **50C5225G04**) and hardware

### Mounting Base Dimensions (in.)



### VIZ-15 Unfused

Primary Voltage	Winding Ratio	Style Number
27600/27600Y	240:1	9628A34G01
34500/34500Y	300:1	9628A34G02
24940/24940Y	207.83:1	9628A34G03
12000/12000Y	100:1	9628A34G04
24000/24000Y	200:1	9628A34G05
26400/26400Y	220:1	9628A34G06

Rated Voltage Factor	Height (in.)	Width (in.)	Length (in.)	Weight (lb.)
1.1	12.10	10.25	13.0	120
1.1	12.10	10.25	13.0	120
1.1	12.10	10.25	13.0	120
1.1	12.10	10.25	13.0	120
1.1	12.10	10.25	13.0	120
1.1	12.10	10.25	13.0	120

## TYPE VIZ-15G

1VAP429761-DB

**Indoor**  
150 kV BIL  
50 & 60 Hertz

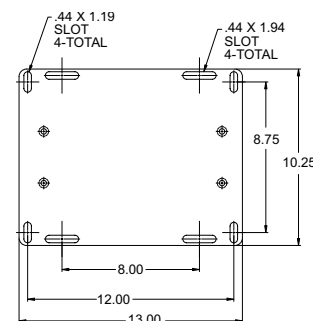


**Thermal Rating:**  
2000 VA @ 30°C Ambient  
1500 VA @ 55°C Ambient

**IEEE Metering Accuracy:**  
0.3W, X, M, Y, and Z

**Fuse kit:** style # 9628A05G89 to convert unfused VIZ-15G to fused style  
Contains one CLE-PT fuse-0.5, 25.5 kV (style # **50C5225G04**) and hardware

### Mounting Base Dimensions (in.)



### VIZ-15G Unfused

Primary Voltage	Winding Ratio	Style Number
12000/20780GY	100:1	9629A81G01
14400/24940GY	120:1	9629A81G02
19920/34500GY	166:1	9629A81G03
24000/24000GY	200:1	9629A81G04

Rated Voltage Factor	Height (in.)	Width (in.)	Length (in.)	Weight (lb.)
1.1	12.10	10.25	13.57	120
1.1	12.10	10.25	13.57	120
1.1	12.10	10.25	13.57	120
1.1	12.10	10.25	13.57	120

### VIZ-15G Fused

12000/20780GY	100:1	9629A82G01
14400/24940GY	120:1	9629A82G02
16100/27900GY	140:1	9629A82G03
24000/24000GY	200:1	9629A82G04

1.1	14.82	10.25	17.90	122
1.1	14.82	10.25	17.90	122
1.1	14.82	10.25	17.90	122
1.1	14.82	10.25	17.90	122

Contact factory for 50 Hz designs.

## TYPES VIZZ-15 and VIZZ-15G

Indoor/outdoor  
150 kV BIL  
60 Hertz

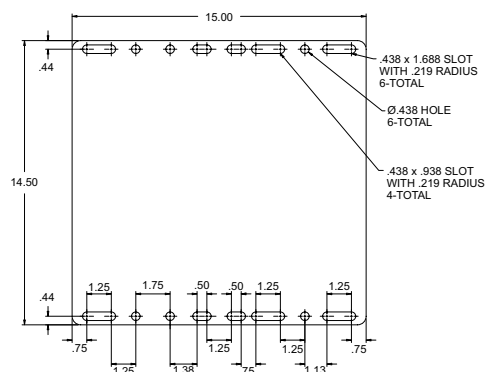
Available at other ratios and single tapped secondary or double secondary

IEEE Metering Accuracy:  
0.3W, X, M, Y, Z and ZZ  
(except where noted\*)

Consult factory if replacement for PT-25 is desired



Mounting base dimensions (in)



	Primary Voltage	Winding Ratio	Style Number
VIZZ-15	12000/20800Y	100:1	7525A81G01
<b>Two bushings</b>	14400/24940Y	120:1	7525A81G02
<b>Stud terminal</b>	15600/15600Y	130:1	7525A81G12
<b>Single secondary</b>	18000/18000Y	150:1	7525A81G03
	20000/20000Y	166.67:1	7525A81G05
	24000/24000Y	200:1	7525A81G04

VIZZ-15	12000/20800Y	100 & 100:1	7526A47G02
<b>Two bushings</b>	14400/24940Y	120 & 120:1	7526A47G03
<b>Stud terminal</b>	18000/18000Y	150 & 150:1	7526A47G04
<b>Double secondary</b>	24000/24000Y	200 & 200:1	7526A47G05

VIZZ-15	12000/20800Y	100:1	7525A82G01
<b>Two bushings</b>	14400/24940Y	120:1	7525A82G02
<b>Clamp terminal</b>	18000/18000Y	150:1	7525A82G03
<b>Single secondary</b>	24000/24000Y	200:1	7525A82G04

VIZZ-15G	12000/20800GY	100:1	7525A83G01
<b>One bushing</b>	14400/24940GY	120:1	7525A83G02
<b>Stud terminal</b>	20000/20000GY	166.67:1	7525A83G04
<b>Single secondary</b>	22000/22000GY	183.3:1	7525A83G06

VIZZ-15G	11500/20000GY	166.67&166.67:1	7883A29G03*
<b>One bushing</b>	13800/23900GY	200 & 200:1	7883A29G02*
<b>Stud terminal</b>	16800/29100GY	140 & 240:1	7883A29G01*
<b>Double secondary</b>			

\* IEEE metering accuracy: 0.3W, X, M, Y, Z

VIZZ-15G	12000/20800GY	100:1	7525A84G01
<b>One bushing</b>	14400/24940GY	120:1	7525A84G02
<b>Clamp terminal</b>	18000/18000GY	150:1	7525A84G05
<b>Single secondary</b>	20000/20000GY	166.67:1	7525A84G03
	24000/24000GY	200:1	7525A84G04

Thermal Rating	Rated Voltage Factor	Height (in.)	Width (in.)	Length (in.)	Weight (lbs.)
3000	1.1	22.3	16	18.6	205
3000	1.1	22.3	16	18.6	205
3000	1.1	22.3	16	18.6	205
3000	1.1	22.3	16	18.6	205
3000	1.1	22.3	16	18.6	205
3000	1.1	22.3	16	18.6	205

3000	1.1	22.3	16	18.6	205
3000	1.1	22.3	16	18.6	205
3000	1.1	22.3	16	18.6	205
3000	1.1	22.3	16	18.6	205

3000	1.1	22.3	16	18.6	205
3000	1.1	22.3	16	18.6	205
3000	1.1	22.3	16	18.6	205
3000	1.1	22.3	16	18.6	205

3000	1.1	22.3	15.6	18.6	205
3000	1.1	22.3	15.6	18.6	205
3000	1.1	22.3	15.6	18.6	205
3000	1.1	22.3	15.6	18.6	205

1000	1.2	22.3	15.6	18.6	205
2000	1.9	22.3	15.6	18.6	205
3000	1.9	22.3	15.6	18.6	205

3000	1.1	22.3	15.6	18.6	205
3000	1.1	22.3	15.6	18.6	205
3000	1.1	22.3	15.6	18.6	205
3000	1.1	22.3	15.6	18.6	205
3000	1.1	22.3	15.6	18.6	205

Contact factory for 50 Hz designs.

# 5 kV - 36 kV Indoor Voltage Transformers

## TYPES VIZ-20 and VIZ-20G

1VAP429601-DB

Equivalent to GE-ITI Models PT7-1-200 and PT7-2-200

**Indoor**  
200 kV BIL  
60 Hertz

**Thermal Rating:**  
1000 VA @ 30°C Ambient  
750 VA @ 55° C Ambient

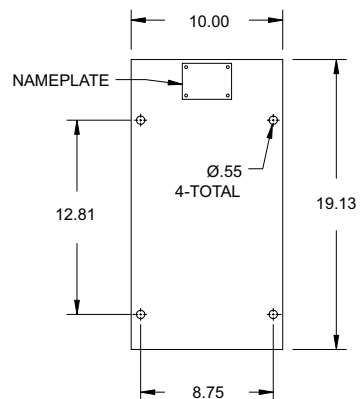
**IEEE Metering Accuracy:**  
0.3W, X, M, Y, and Z



**Fuse kit:** Style # 9628A05G90 (to convert unfused VIZ-20 to fused style)  
Contains two CLE-PT fuses (0.5, 38 kV, style # **50C5225G05**) and hardware

**Fuse kit:** Style # 9628A05G83 (to convert unfused VIZ-20G to fused style)  
Contains one CLE-PT fuse (0.5, 38 kV style # **50C5225G05**) and hardware

### Mounting Base Dimensions (in.)



	Primary Voltage	Winding Ratio	Style Number
<b>VIZ-20</b> <b>Unfused</b>	20125/34500Y	175:1	7883A60G03
	27600/27600Y	240:1	7883A60G02
	34500/34500Y	300:1	7883A60G01
<b>VIZ-20</b> <b>Fused</b>	20125/34500Y	175:1	7883A40G03
	27600/27600Y	240:1	7883A40G02
	34500/34500Y	300:1	7883A40G01
<b>VIZ-20G</b> <b>Unfused</b>	20125/34500GY	175:1	7883A61G01
	34500/34500GY	300:1	7883A61G02
	19942/34500GY	289:1	7883A61G04
	16100/27900GY	240:1	7883A61G05
<b>VIZ-20G</b> <b>Fused</b>	20125/34500GY	175:1	7883A41G01
	34500/34500GY	300:1	7883A41G02
	24000/24000GY	200:1	7883A41G05
	25000/25000GY	208.33:1	7883A41G06
	26400/26400GY	220:1	7883A41G07
	24900/24900GY	207.5:1	7883A41G08
	28800/28800GY	240:1	7883A41G09
	27600/27600GY	240:1	7883A41G10

Rated Voltage Factor	Height (in.)	Width (in.)	Length (in.)	Weight (lb.)
1.1	16.5	16.26	19.13	161
1.1	16.5	16.26	19.13	161
1.1	16.5	16.26	19.13	161
1.1	16.5	16.26	19.13	165
1.1	16.5	16.26	19.13	165
1.1	16.5	16.26	19.13	165
1.4	16.5	10.0	19.13	148
1.1	16.5	10.0	19.13	148
1.1	16.5	10.0	19.13	148
1.4	16.5	10.0	19.13	148
1.4	16.5	10.0	19.13	150
1.1	16.5	10.0	19.13	150
1.4	16.5	10.0	19.13	150
1.1	16.5	10.0	19.13	150
1.1	16.5	10.0	19.13	150
1.1	16.5	10.0	19.13	150
1.1	16.5	10.0	19.13	150
1.1	16.5	10.0	19.13	150

Contact factory for 50 Hz designs.

# 5 kV - 36 kV Outdoor Voltage Transformers

## TYPES VOY-15 and VOY-15G (HCEP)

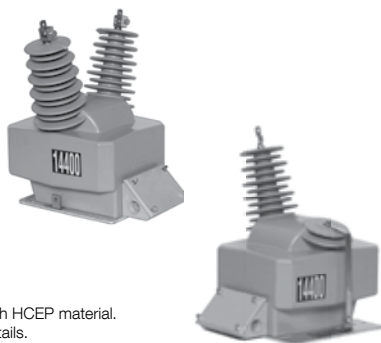
1VAP429701-DB

**Outdoor**  
150 kV BIL  
60 Hertz

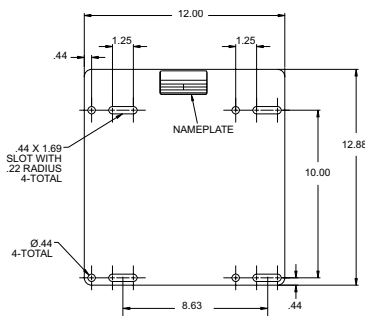
**Thermal Rating:**  
1000 VA at 30° Ambient

**Creep:**  
VOY-15: 38.0" (965 mm)  
VOY-15G: 33.6" (853 mm)

**Note:** These units now insulated with HCEP material.  
Refer to page 80 for more details.



Mounting Base Dimensions (in.)



### VOY-15

Primary Voltage	Ratio	Style Number
12000/20780Y	100:1	E-7526A62G01
14400/24940Y	120:1	E-7526A62G02
18000/18000Y	150:1	E-7526A62G03
20000/20000Y	166.7:1	E-7526A62G04
24000/24000Y	200:1	E-7526A62G05

### VOY-15G

7620/13200GY	63.5:1	E-7526A63G08
12000/20780GY	100:1	E-7526A63G01
13200/22860GY	110:1	E-7526A63G06
14400/24940GY	120:1	E-7526A63G02
20125/34500GY	175:1	E-7526A63G18

IEEE Meter Accuracy	Height (in.)	Width (in.)	Length (in.)	Weight (lb.)
0.3W, X, M, Y	19.00	15.97	16.94	125
0.3W, X, M, Y	19.00	15.97	16.94	125
0.3W, X, M, Y	19.00	15.97	16.94	125
0.3W, X, M, Y	19.00	15.97	16.94	125
0.3W, X, M, Y	19.00	15.97	16.94	125
0.3W, X, M, Y	19.00	15.41	16.94	120
0.3W, X, M, Y	19.00	15.41	16.94	120
0.3W, X, M, Y	19.00	15.41	16.94	120
0.3W, X, M, Y	19.00	15.41	16.94	120
0.3W, X, M, Y	19.00	15.41	16.94	120

## TYPES VOY-15 and VOY-15G (PUR)

42-970

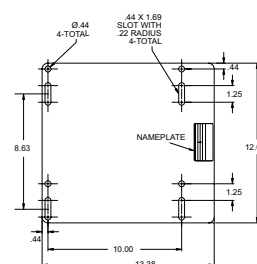
**Outdoor**  
150 kV BIL  
60 Hertz

**Thermal Rating:**  
1000 VA at 30° Ambient

**Creep:**  
VOY-15: 27.25" (692 mm)  
VOY-15G: 27.50" (698 mm)



Mounting Base Dimensions (in.)



### VOY-15 150 kV BIL

Primary Voltage	Ratio	Style Number
12000/20780Y	100:1	7526A62G01
14400/24940Y	120:1	7526A62G02
18000/18000Y	150:1	7526A62G03
20000/20000Y	166.7:1	7526A62G04
24000/24000Y	200:1	7526A62G05

### VOY-15G 150 kV BIL

7620/13200GY	63.5:1	7526A63G08
12000/20780GY	100:1	7526A63G01
13200/22860GY	110:1	7526A63G06
14400/24940GY	120:1	7526A63G02
20125/34500GY	175:1	7526A63G18

IEEE Meter Accuracy	Height (in.)	Width (in.)	Length (in.)	Weight (lb.)
0.3W, X, M, Y	19.00	15.88	16.94	148
0.3W, X, M, Y	19.00	15.88	16.94	148
0.3W, X, M, Y	19.00	15.88	16.94	148
0.3W, X, M, Y	19.00	15.88	16.94	148
0.3W, X, M, Y	19.00	15.88	16.94	148
0.3W, X, M, Y	19.00	11.75	16.94	142
0.3W, X, M, Y	19.00	11.75	16.94	142
0.3W, X, M, Y	19.00	11.75	16.94	142
0.3W, X, M, Y	19.00	11.75	16.94	142
0.3W, X, M, Y	19.00	11.75	16.94	142

Contact factory for 50 Hz designs.

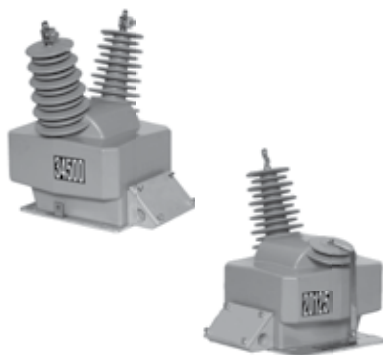


# 5 kV - 36 kV Outdoor Voltage Transformers

## TYPES VOY-20 and VOY-20G (HCEP)

1VAP429741-DB

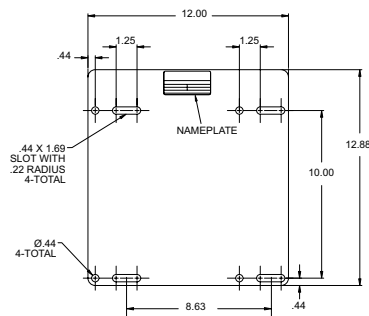
**Outdoor**  
200 kV BIL  
60 Hertz



**Thermal Rating:**  
1000 VA at 30° Ambient

**Creep:**  
VOY-20: 38.0" (965 mm)  
VOY-20G: 33.6" (853 mm)

Mounting Base Dimensions (in.)



### VOY-20

Primary Voltage	Winding Ratio	Style Number
27600/27600Y	240:1	E-7881A82G03
35400/34500Y	275:1	E-7881A82G04

### VOY-20G

20125/34500GY	175:1	E-9629A74601
---------------	-------	--------------

IEEE Meter Accuracy	Height (in.)	Width (in.)	Length (in.)	Weight (lb.)
0.3 W, X, M, Y	19.0	15.97	16.94	125
0.3 W, X, M, Y	19.0	15.97	16.94	125

0.3 W, X, M, Y	19.0	15.41	16.93	120
----------------	------	-------	-------	-----

## TYPES VOY-20 and VOY-20G (PUR)

1VAP429742-DB

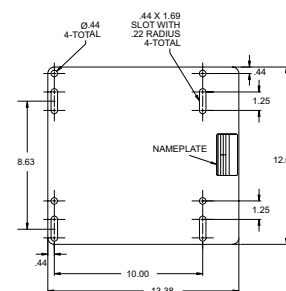
**Outdoor**  
200 kV BIL  
60 Hertz



**Thermal Rating:**  
1000 VA at 30° Ambient

**Creep:**  
VOY-20: 27.25" (692 mm)  
VOY-20G: 27.50" (698 mm)

Mounting Base Dimensions (in.)



### VOY-20

Primary Voltage	Winding Ratio	Style Number
27600/27600Y	240:1	7881A82G03
35400/34500Y	275:1	7881A82G04

### VOY-20G

20125/34500GY	175/300:1	7526A55G01
---------------	-----------	------------

IEEE Meter Accuracy	Height (in.)	Width (in.)	Length (in.)	Weight (lb.)
0.3 W, X, M, Y	19.0	15.97	16.94	148
0.3 W, X, M, Y	19.0	15.97	16.94	148

0.3 W, X, M, Y	19.0	15.42	16.93	142
----------------	------	-------	-------	-----

Contact factory for 50 Hz designs.

# 5 kV - 36 kV Outdoor Voltage Transformers

## TYPES VOHD-200 and VOHD-200G

42-977

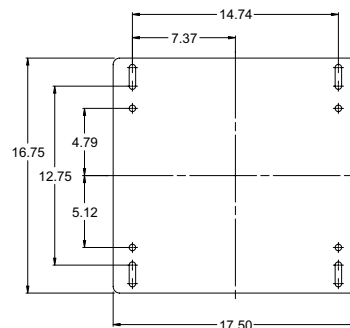
Outdoor  
200 kV BIL  
60 Hertz



**Thermal Rating:**  
1000 VA at 30° Ambient

**Creep:**  
VOHD-200: 37.50" (952 mm)  
VOHD-200G: 37.75" (958 mm)

Mounting Base Dimensions (in.)



### VOHD-200

Two bushings

Primary Voltage	Ratio	Style Number <sup>①</sup>
20125/34500Y	175/300:1	7882A31G01
27600/27600Y	240/400:1	7882A31G02
34500/34500Y	300/500:1	7882A31G03

### VOHD-200G

One bushing

Primary Voltage	Ratio	Style Number <sup>①</sup>
20125/34500Y	175/300:1	9629A95G01

IEEE Meter Accuracy	Height (in.)	Width (in.)	Length (in.)	Weight (lb.)
0.3W, X, M, Y (full & tap)	22.6	18.9	20.0	255
0.3W, X, M, Y (full & tap)	22.6	18.9	20.0	255
0.3W, X, M, Y (full & tap)	22.6	18.9	20.0	255

IEEE Meter Accuracy	Height (in.)	Width (in.)	Length (in.)	Weight (lb.)
0.3W, X, M, Y (full & tap)	23.3	16.1	20.0	245

<sup>①</sup> Style includes clamp-type primary terminals. Stud-type available for spade terminals.

## TYPES VOZZ-15 and VOZZ-15G

1VAP429781-DB

Outdoor  
150 kV BIL  
60 Hertz

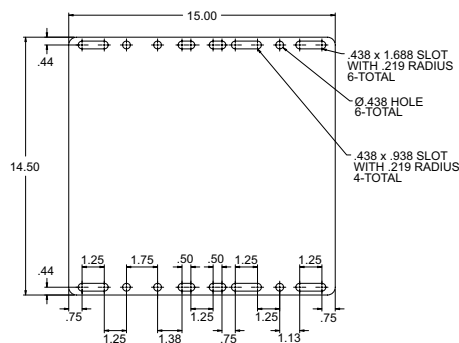


**Thermal Rating:**  
3000 VA at 30° Ambient

**Creep:**  
VOHD-200: 37.50" (953 mm)  
VOHD-200G: 37.75" (959 mm)

Available with double secondaries and tapped double secondaries.

Mounting Base Dimensions (in.)



### VOZZ-15

Two bushings

Primary Voltage	Ratio	Style Number <sup>①</sup>
12000/20800Y	100:1	7525A93G01
14400/24940Y	120:1	7525A93G02
18000/18000Y	150:1	7525A93G03
24000/24000Y	200:1	7525A93G04

### VOZZ-15G

One bushing

Primary Voltage	Ratio	Style Number <sup>①</sup>
12000/20800GY	100:1	7525A98G01
14400/24940GY	120:1	7525A98G02

IEEE Meter Accuracy	Height (in.)	Width (in.)	Length (in.)	Weight (lb.)
0.3W, X, M, Y, Z, ZZ	23.0	16.1	17.6	205
0.3W, X, M, Y, Z, ZZ	23.0	16.1	17.6	205
0.3W, X, M, Y, Z, ZZ	23.0	16.1	17.6	205
0.3W, X, M, Y, Z, ZZ	23.0	16.1	17.6	205

IEEE Meter Accuracy	Height (in.)	Width (in.)	Length (in.)	Weight (lb.)
0.3W, X, M, Y, Z, ZZ	23.0	15.6	17.6	202
0.3W, X, M, Y, Z, ZZ	23.0	15.6	17.6	202

Contact factory for 60 Hz designs.

# 5 kV - 36 kV Outdoor Voltage Transformers

## TYPES VOZZ-20 and VOZZ-20G

1VAP429791-DB

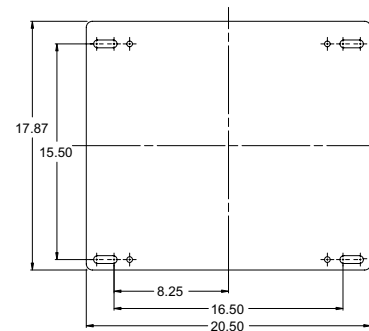
**Outdoor**  
200 kV BIL  
60 Hertz

**Thermal Rating:**  
3000 VA at 30° Ambient

**Creep:**  
VOZZ-20:  
41.0" (1041 mm)  
VOZZ-20G:  
41.875" (1063 mm)



Mounting Base Dimensions (in.)



	Primary Voltage	Ratio	Style Number <sup>①</sup>
<b>VOZZ-20</b> Two bushings	27600/27600Y	240 & 240:1	9629A96G02
	34500/34500Y	300 & 300:1	9629A96G01
<b>VOZZ-20G</b> One bushing	20125/34500GY	175/300:1 & 175/300:1	9629A97G01
	20125/34500GY	175/300:1	7882A42G01

IEEE Meter Accuracy	Height (in.)	Width (in.)	Length (in.)	Weight (lb.)
0.3W, X, M, Y, Z, & ZZ	26.13	18.1	24.3	380
0.3W, X, M, Y, Z, & ZZ	26.13	18.1	24.3	380
0.3W, X, M, Y, Z, & ZZ	27.54	17.0	24.3	380
0.3W, X, M, Y, Z, & ZZ	27.54	17.0	24.3	380

<sup>①</sup> Style includes clamp-type primary terminals. Stud-type available for spade terminals.

# 5kV -15kV Control Power Transformers

## TYPE CPT-IK-5

PB 1VAP60001-DB

Equivalent to GE-ITI Models CPT3-60-5 and CPTS3-60-5

**Indoor**  
**5 kVA, 5 kV and 15 kV Class**  
 60 Hertz

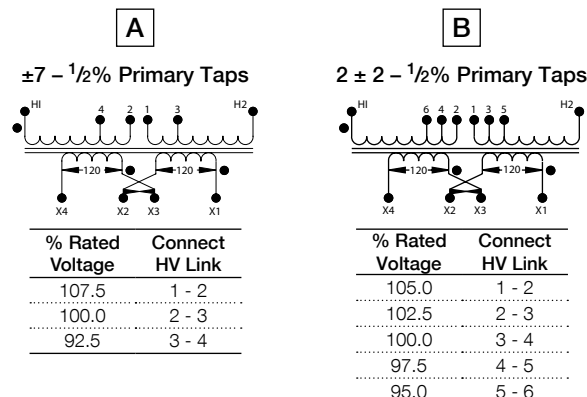
Approximate weight is 130 lb.

Contact factory for 50 Hz designs.



UL Recognized Component

### Connections

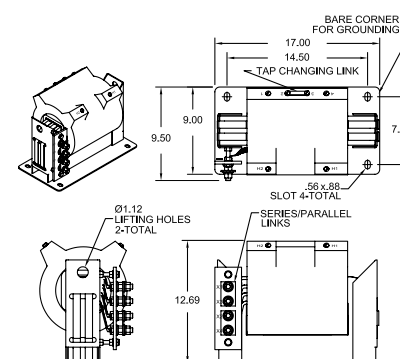


Style Number	kVA	Voltage Class	Primary Rating	Secondary Voltage	Taps
CPTA-60-5-2400-D146	5	5 kV	2400	120/240	A
CPTA-60-5-4160-D146	5	5 kV	4160	120/240	A
CPTA-60-5-4800-D146	5	5 kV	4800	120/240	A
CPTA-95-5-7200-D146	5	15 kV	7200	120/240	A
CPTA-95-5-8400-D146	5	15 kV	8400	120/240	A
CPTA-95-5-12000-D146	5	15 kV	12000	120/240	A
CPTA-95-5-12470-D146	5	15 kV	12470	120/240	A
CPTA-95-5-13200-D146	5	15 kV	13200	120/240	A
CPTA-95-5-13800-D146	5	15 kV	13800	120/240	A
CPTA-95-5-14400-D146	5	15 kV	14400	120/240	A

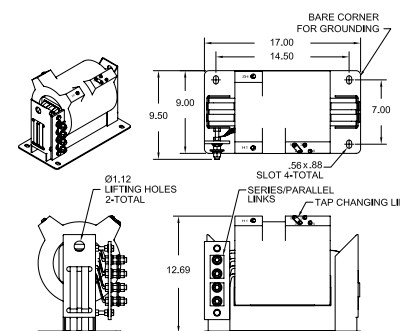
Style Number	kVA	Voltage Class	Primary Rating	Secondary Voltage	Taps
CPTA-60-5-2400-D148	5	5 kV	2400	120/240	A
CPTA-60-5-4160-D148	5	5 kV	4160	120/240	A
CPTA-60-5-4800-D148	5	5 kV	4800	120/240	A
CPTA-95-5-7200-D148	5	15 kV	7200	120/240	A
CPTA-95-5-8400-D148	5	15 kV	8400	120/240	A
CPTA-95-5-12000-D148	5	15 kV	12000	120/240	A
CPTA-95-5-12470-D148	5	15 kV	12470	120/240	A
CPTA-95-5-13200-D148	5	15 kV	13200	120/240	A
CPTA-95-5-13800-D148	5	15 kV	13800	120/240	A
CPTA-95-5-14400-D148	5	15 kV	14400	120/240	A

Style Number	kVA	Voltage Class	Primary Rating	Secondary Voltage	Taps
CPTB-60-5-2400-D150	5	5 kV	2400	120/240	B
CPTB-60-5-4160-D150	5	5 kV	4160	120/240	B
CPTB-60-5-4800-D150	5	5 kV	4800	120/240	B
CPTB-95-5-7200-D150	5	15 kV	7200	120/240	B
CPTB-95-5-8400-D150	5	15 kV	8400	120/240	B
CPTB-95-5-12000-D150	5	15 kV	12000	120/240	B
CPTB-95-5-12470-D150	5	15 kV	12470	120/240	B
CPTB-95-5-13200-D150	5	15 kV	13200	120/240	B
CPTB-95-5-13800-D150	5	15 kV	13800	120/240	B
CPTB-95-5-14400-D150	5	15 kV	14400	120/240	B

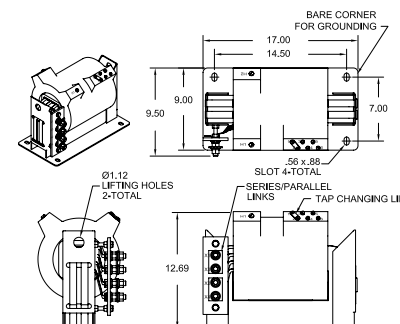
### 4 In-Line Tap Configuration



### 4 Multi-Tap Configuration



### 6 Multi-Tap Configuration



# 5kV -15kV Control Power Transformers

## TYPE CPT-IK-10 & CPT-IK-15

PB 1VAP600002-DB

Equivalent to GE-ITI Models CPT5-95-15, CPTS5-95-15, CPT5-95-10, CPTS5-95-10

**Indoor**  
**10 and 15 kVA**  
**5 kV and 15 kV Class**  
 60 Hertz

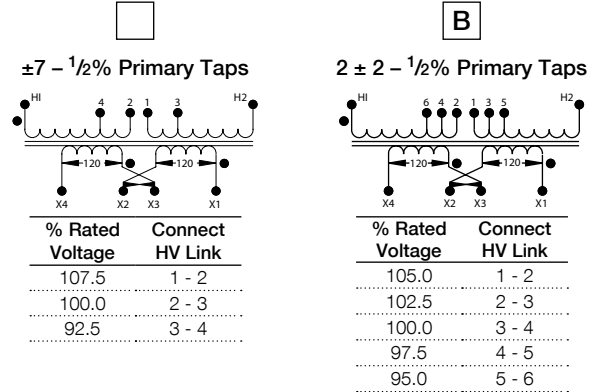
Approximate weight is 230 lb.

Contact factory for 50 Hz designs.



UL Recognized Component

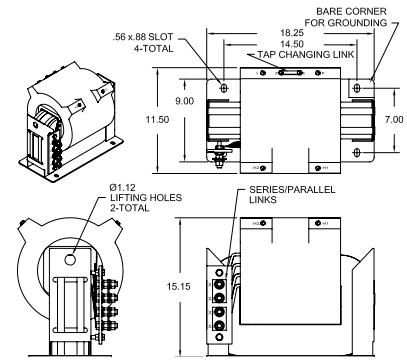
### Connections



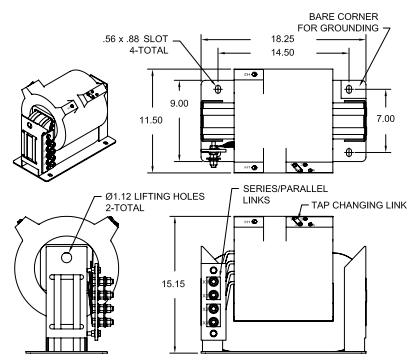
Style Number	kVA	Voltage Class	Primary Rating	Secondary Voltage	Taps
CPTA-60-10-2400-D147	10	5 kV	2400	120/240	A
CPTA-60-10-4160-D147	10	5 kV	4160	120/240	A
CPTA-60-10-4800-D147	10	5 kV	4800	120/240	A
CPTA-95-10-7200-D147	10	15 kV	7200	120/240	A
CPTA-95-10-8400-D147	10	15 kV	8400	120/240	A
CPTA-95-10-12000-D147	10	15 kV	12000	120/240	A
CPTA-95-10-12470-D147	10	15 kV	12470	120/240	A
CPTA-95-10-13200-D147	10	15 kV	13200	120/240	A
CPTA-95-10-13800-D147	10	15 kV	13800	120/240	A
CPTA-95-10-14400-D147	10	15 kV	14400	120/240	A
CPTA-60-15-2400-D147	15	5 kV	2400	120/240	A
CPTA-60-15-4160-D147	15	5 kV	4160	120/240	A
CPTA-60-15-4800-D147	15	5 kV	4800	120/240	A
CPTA-95-15-7200-D147	15	15 kV	7200	120/240	A
CPTA-95-15-8400-D147	15	15 kV	8400	120/240	A
CPTA-95-15-12000-D147	15	15 kV	12000	120/240	A
CPTA-95-15-12470-D147	15	15 kV	12470	120/240	A
CPTA-95-15-13200-D147	15	15 kV	13200	120/240	A
CPTA-95-15-13800-D147	15	15 kV	13800	120/240	A
CPTA-95-15-14400-D147	15	15 kV	14400	120/240	A

Style Number	kVA	Voltage Class	Primary Rating	Secondary Voltage	Taps
CPTA-60-10-2400-D149	10	5 kV	2400	120/240	A
CPTA-60-10-4160-D149	10	5 kV	4160	120/240	A
CPTA-60-10-4800-D149	10	5 kV	4800	120/240	A
CPTA-95-10-7200-D149	10	15 kV	7200	120/240	A
CPTA-95-10-8400-D149	10	15 kV	8400	120/240	A
CPTA-95-10-12000-D149	10	15 kV	12000	120/240	A
CPTA-95-10-12470-D149	10	15 kV	12470	120/240	A
CPTA-95-10-13200-D149	10	15 kV	13200	120/240	A
CPTA-95-10-13800-D149	10	15 kV	13800	120/240	A
CPTA-95-10-14400-D149	10	15 kV	14400	120/240	A
CPTA-60-15-2400-D149	15	5 kV	2400	120/240	A
CPTA-60-15-4160-D149	15	5 kV	4160	120/240	A
CPTA-60-15-4800-D149	15	5 kV	4800	120/240	A
CPTA-95-15-7200-D149	15	15 kV	7200	120/240	A
CPTA-95-15-8400-D149	15	15 kV	8400	120/240	A
CPTA-95-15-12000-D149	15	15 kV	12000	120/240	A
CPTA-95-15-12470-D149	15	15 kV	12470	120/240	A
CPTA-95-15-13200-D149	15	15 kV	13200	120/240	A
CPTA-95-15-13800-D149	15	15 kV	13800	120/240	A
CPTA-95-15-14400-D149	15	15 kV	14400	120/240	A

### 4 In-Line Tap Configuration



### 4 Multi-Tap Configuration



CPT-IK-15 continued on next page

# TYPE CPT-IK-15 (cont'd)

PB 1VAP60002-DB

Indoor  
10 and 15 kVA  
5 kV and 15 kV Class  
60 Hertz

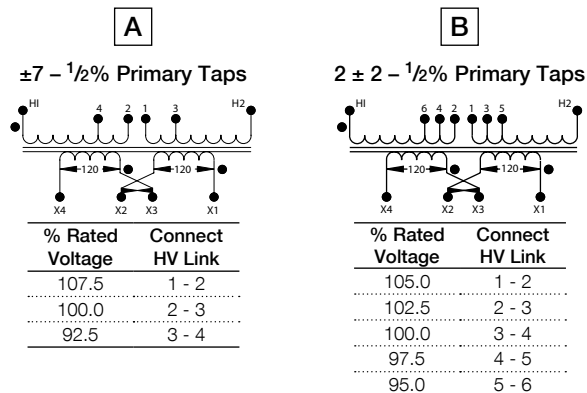
Approximate weight is 230 lb.

Contact factory for 50 Hz designs.



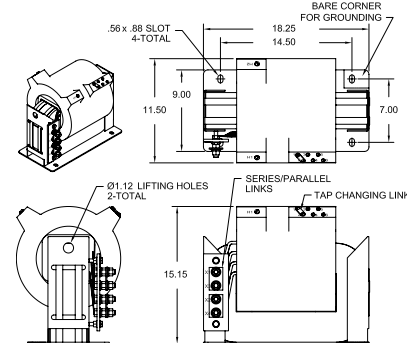
UL Recognized Component

## Connections



Style Number	kVA	Voltage Class	Primary Rating	Secondary Voltage	Taps
CPTB-60-10-2400-D151	10	5 kV	2400	120/240	B
CPTB-60-10-4160-D151	10	5 kV	4160	120/240	B
CPTB-60-10-4800-D151	10	5 kV	4800	120/240	B
CPTB-95-10-7200-D151	10	15 kV	7200	120/240	B
CPTB-95-10-8400-D151	10	15 kV	8400	120/240	B
CPTB-95-10-12000-D151	10	15 kV	12000	120/240	B
CPTB-95-10-12470-D151	10	15 kV	12470	120/240	B
CPTB-95-10-13200-D151	10	15 kV	13200	120/240	B
CPTB-95-10-13800-D151	10	15 kV	13800	120/240	B
CPTB-95-10-14400-D151	10	15 kV	14400	120/240	B
CPTB-60-15-2400-D151	15	5 kV	2400	120/240	B
CPTB-60-15-4160-D151	15	5 kV	4160	120/240	B
CPTB-60-15-4800-D151	15	5 kV	4800	120/240	B
CPTB-95-15-7200-D151	15	15 kV	7200	120/240	B
CPTB-95-15-8400-D151	15	15 kV	8400	120/240	B
CPTB-95-15-12000-D151	15	15 kV	12000	120/240	B
CPTB-95-15-12470-D151	15	15 kV	12470	120/240	B
CPTB-95-15-13200-D151	15	15 kV	13200	120/240	B
CPTB-95-15-13800-D151	15	15 kV	13800	120/240	B
CPTB-95-15-14400-D151	15	15 kV	14400	120/240	B

## 6 Multi-Tap Configuration



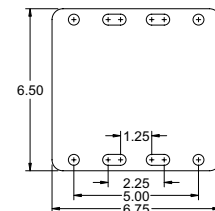
# TYPE A Current Balancing Auto

**Indoor test voltage: 2500 volts**  
 25-60 Hertz  
 Type A transformers provide a large number of fine ratio adjustment taps for establishing an exact current ratio balance between the CTs on the input and output sides of power transformers.



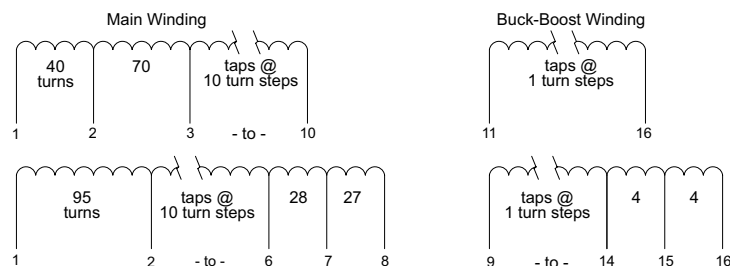
Dimensions and weights		
	50 VA	100 VA
Height	7.00	7.00
Width	6.50	6.50
Length	6.75	7.75
Weight	20.00	24.00

## Mounting base dimensions



Stated VA are applicable for 60 Hz

## Winding Development



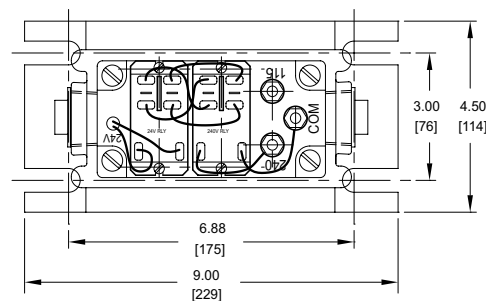
Volt-Ampere Rating	Style Number	Ratio Adjustment Range
50	7881A17G01	from 10.8:5 to 5:5 Amps
100	7881A17G02	from 10.8:5 to 5:5 Amps

# TYPE FSR-983

**600 Volts**  
**Outdoor**  
**10 kV BIL**  
 60 Hertz  
**Saturable reactor**



1VAP701061-DB

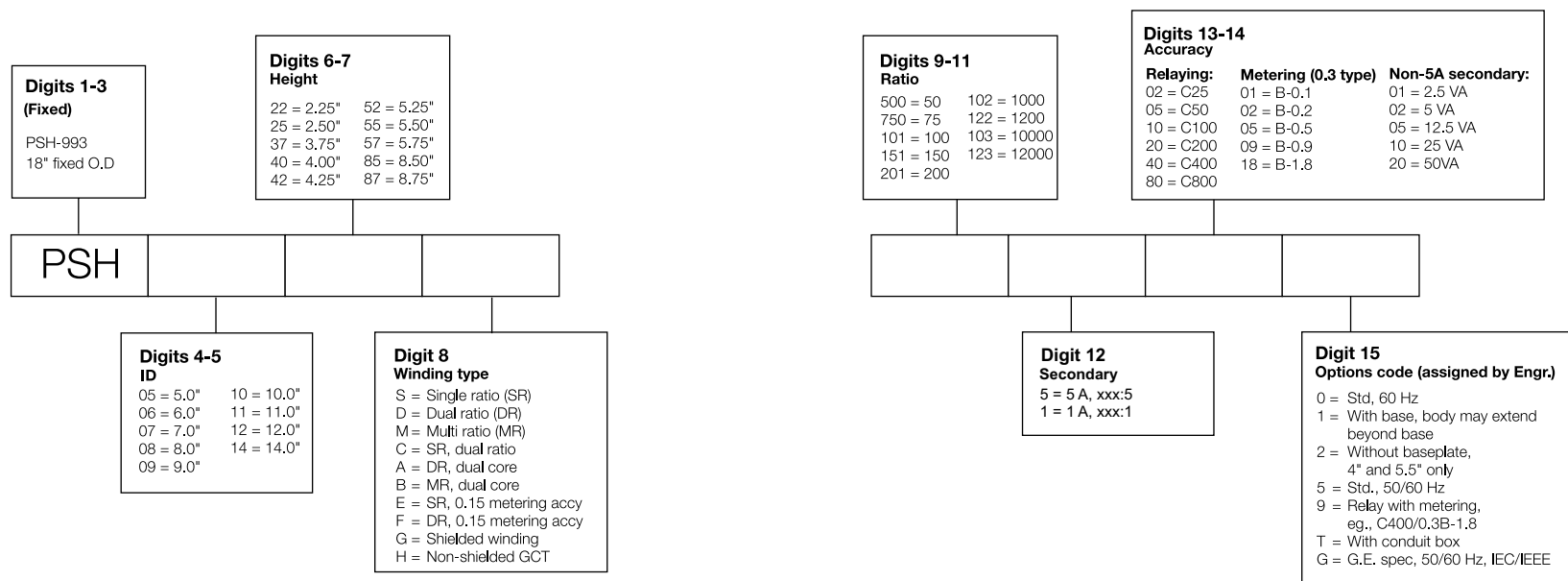
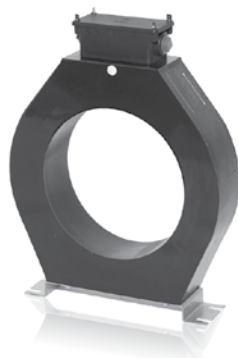


Application Voltage	Style Number	DC resistance (Ohms)
115	469-0649-951	0.5
120	469-0649-952	0.5
240	469-0649-952	1.0
115/240	469-0649-954	0.5/1.0
120/240	469-0649-955	0.5/1.0

Height (in.)	Width (in.)	Length (in.)	Weight (lbs.)
13.5	9.38	4.63	55
13.5	9.38	4.63	55
13.5	9.38	4.63	55
13.5	9.38	4.63	55
13.5	9.38	4.63	55

# TYPE PSH-993

600 Volts  
Indoor/outdoor  
10 kV BIL  
60 Hertz





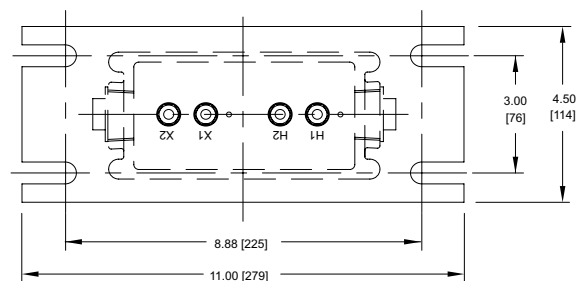
# TYPE ACT-983

**600 Volts**  
**Indoor/outdoor**  
**10 kV BIL**  
 60 Hertz

**Thermal rise:**  
 55°C @ 30°C ambient



Mounting base dimensions (in. [mm])



Height (in.)	Width (in.)	Length (in.)	Weight (lbs.)
13.5	9.38	4.63	Varies

When ordering ACT Auxiliary CTs, include the following information:

- Current ratio: \_\_\_\_\_ (primary:secondary, i.e. 5:3.33)
- Type of circuit: \_\_\_\_\_ (i.e., primary or secondary)
- Accuracy and burden requirements, for example  
 Metering: \_\_\_\_\_ (0.3B-0.1 through B-1.8)  
 Relaying: \_\_\_\_\_ (C100, C200, C400, or C800 or other)  
 If IEC ratings, list class and burden \_\_\_\_\_ (e.g. class 0.2-20 VA, 5P20-40VA)
- Continuous rating factor: \_\_\_\_\_ (std. is RF=1.5)
- Frequency: \_\_\_\_\_ (std is 60 Hz)
- OPTIONAL - Conduit box hub size: \_\_\_\_\_ (std is 1" NPT)

Note: Units are custom manufactured to customer specifications.  
 Contact factory to discuss other options.

# TYPE ACT-633/645

600 Volts  
Indoor  
10 kV BIL  
60 Hertz

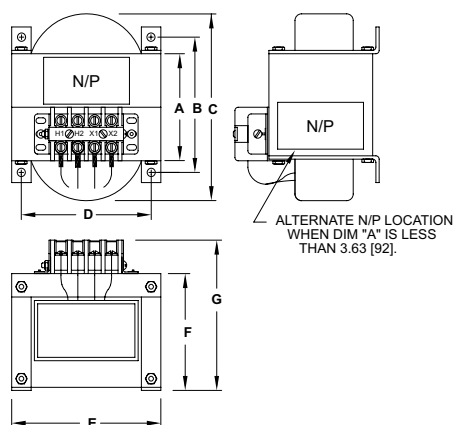


	Style Number	Ratio	Relay Accuracy	Rating Factor
TYPE ACT-633	A1400710-570	5:1	T100	1.5
	A1431220-570	6:1	T100	1.5
	A1403310-570	7.25:5	T100	1.5
	A1400810-570	8:1	T100	1.5
	A1403810-570	9.09:5	T100	1.5
	A1400910-570	10:1	T100	1.5
	A1410010-570	11.6:5	T100	1.5
	A1404010-570	12:5	T100	1.5
	A1422510-570	13.33:1	T100	1.5
	A1412210-570	14:5	T100	1.5

	Style Number	Ratio	Relay Accuracy	Rating Factor
TYPE ACT-645	A1509840-570	5:1	T400	1.5
	A1507140-570	6:2	T400	1.5
	A1504640-570	7.5:5	T400	1.5
	A1502040-570	8:5	T400	1.5
	A1503540-570	9.375:5	T400	1.5
	A1509540-570	10:1	T400	1.5
	A1511140-570	11:6	T400	1.5
	A1513440-570	12:1	T400	1.5
	A1514240-570	13.33:5	T400	1.5
	A1506140-570	15:5	T400	1.5

Dim A	Dim C	Height (in.)	Width (in.)	Length (in.)	Weight (lbs.)
4.0	5.9	5.63	5.75	5.9	23
2.0	4.2	5.63	5.75	4.2	14
4.0	6.6	5.63	5.75	6.6	25
3.0	4.9	5.63	5.75	4.9	19
4.0	6.6	5.63	5.75	6.6	26
3.0	5.4	5.63	5.75	5.4	21
4.0	6.5	5.63	5.75	6.5	23
4.0	6.4	5.63	5.75	6.4	24
3.5	6.0	5.63	5.75	6.0	20
5.0	7.4	5.63	5.75	7.4	28

Dim A	Dim C	Height (in.)	Width (in.)	Length (in.)	Weight (lbs.)
2.5	5.4	7.75	7.5	5.4	31
4.0	7.2	7.75	7.5	7.2	49
5.0	8.2	7.75	7.5	8.2	60
4.63	7.9	7.75	7.5	7.9	56
5.0	8.4	7.75	7.5	8.4	61
5.0	7.7	7.75	7.5	7.7	56
6.0	8.9	7.75	7.5	8.9	68
5.25	9.0	7.75	7.5	9.0	56
5.0	7.9	7.75	7.5	7.9	58
4.0	7.2	7.75	7.5	7.2	50



Additional styles available upon request. Contact factory for multiple tap requirements.

Dimensions (in.)	ACT-633	ACT-645
A	see table above	see table above
B	A + 1.25	A + 2.0
C	see table above	see table above
D	5.0	6.50
E	5.75	7.50
F	4.38	6.38
G	5.63	7.75

# TYPE APT-646/733

600 Volts  
Indoor,  
10 kV BIL  
60 Hertz

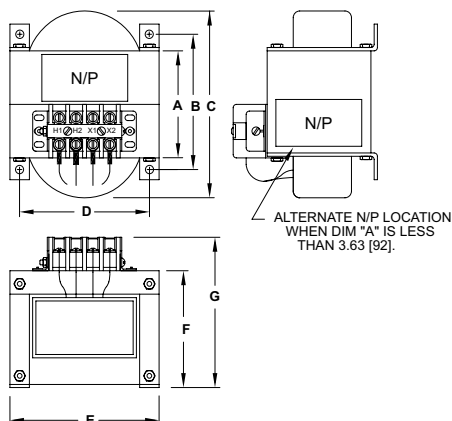


	Primary Voltage	Secondary Voltage	Style Number	Thermal VA
TYPE APT-646	115	115	A2900090-570	150
	120	120	A2900310-570	150
	208	120	A2900660-570	150
	240	240	A2900360-570	150
	300	120	A2900860-570	250
	480	120	A2900870-570	250

	Primary Voltage	Secondary Voltage	Style Number	Thermal VA
TYPE APT-733	70	120	A2300030-570	500
	120	120	A2300018-570	500
	480	220	A2300016-570	2000
	1075	120	A2300017-570	150
	1200	120	A2300014-570	150

IEEE Metering Accuracy	Dim A	Dim C	Height (in.)	Width (in.)	Length (in.)	Weight (lbs.)
0.6X	2.5	5.7	5.63	5.75	5.70	15
0.6X	2.63	5.8	5.63	5.75	5.8	15
0.6X	3.5	6.2	5.63	5.75	6.2	20
0.6X	4.0	7.2	5.63	5.75	7.2	23
0.6X	4.0	6.2	5.63	5.75	6.2	21
0.6X	3.5	5.9	5.63	5.75	5.9	19

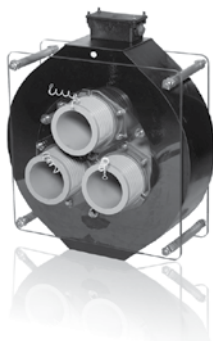
IEEE Metering Accuracy	Dim A	Dim C	Height (in.)	Width (in.)	Length (in.)	Weight (lbs.)
0.6X	4.0	6.6	7.75	7.50	6.6	41
0.6X	3.0	5.9	7.75	7.50	5.9	31
0.6X	6.0	8.6	7.75	7.50	8.6	61
0.6X	2.63	5.0	7.75	7.50	5.1	27
0.6X	4.0	6.0	7.75	7.50	6.0	42



Dimensions (in.)	APT-646	APT-733
A	see table above	see table above
B	A + 1.25	A + 2.0
C	see table above	see table above
D	5.0	6.50
E	5.75	7.50
F	4.38	6.38
G	5.63	7.75

## TYPE BYZ-863/865

**15000 & 25000 Volts**  
**Indoor/outdoor**  
**110 kV & 150 kV BIL**  
 60 Hertz  
 Primary current ratios:  
 50:5 to 200:5



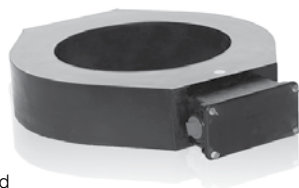
Note: Additional mounting options offered for zero-sequence CTs. Units are custom manufactured to customer specifications. Contact factory to discuss other options.

When ordering a 15 kV or 25 kV rated zero-sequence CT, include the following information:

- Min. inside diameter (ID): \_\_\_\_ in. [mm] (std min is 4.5"/phase)
- Max. outside diameter (OD): \_\_\_\_ in. [mm] (std min. is 26")
- Current ratio: \_\_\_\_ (standards are 50:5, 100:5, or 200:5 SR)
- Accuracy and burden requirements, for example -  
 Relaying: \_\_\_\_ (standards are C50, C100, or C200)  
 If IEC ratings, list class and burden \_\_\_\_ (e.g. class 5P20-40 VA)
- Continuous rating factor: \_\_\_\_ (std. is RF=2.0)
- Frequency: \_\_\_\_ (std is 60 Hz)
- Conduit box hub size: \_\_\_\_ (std is 1" NPT)

## TYPE PSZ-981

**600 Volts**  
**Indoor/outdoor**  
**10 kV BIL**  
 60 Hertz



Note: Additional mounting options offered for zero-sequence CTs. Units are custom manufactured to customer specifications. Contact factory to discuss other options.

When ordering zero-sequence CT, include the following:

- Min. inside diameter (ID): \_\_\_\_ in. [mm]
- Max. outside diameter (OD): \_\_\_\_ in. [mm]
- Max. allowable height (HT): \_\_\_\_ in. [mm]
- Current ratio: \_\_\_\_ (standards are 50:5, 100:5, or 200:5 SR)
- Accuracy and burden requirements, for example -  
 Relaying: \_\_\_\_ (standards are C50, C100, or C200)  
 If IEC ratings, list class and burden \_\_\_\_ (e.g. class 5P20-40 VA)
- Continuous rating factor: \_\_\_\_ (std. is RF=2.0)
- Frequency: \_\_\_\_ (std is 60 Hz)
- Conduit box hub size: \_\_\_\_ (std is 1" NPT)

## TYPE BCT-605/BH-001

**600 Volts**  
**Indoor**  
 60 Hertz



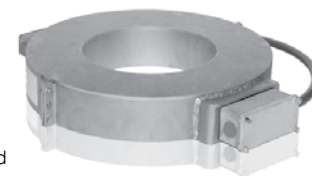
Note: Mounting hardware not supplied. Units are custom manufactured to customer specifications. Contact factory to discuss other options.

When ordering BCTs, include the following information:

- Min. inside diameter (ID): \_\_\_\_ in. [mm]
- Max. outside diameter (OD): \_\_\_\_ in. [mm]
- Max. allowable height (HT): \_\_\_\_ in. [mm]
- Current ratio and taps, if any: \_\_\_\_ (:5A or :1A / SR, DR, MR)
- Accuracy and burden requirements, for example -  
 Metering: \_\_\_\_ (0.3B0.1 through B1.8)  
 High accuracy: \_\_\_\_ (0.15)  
 Relaying: \_\_\_\_ (C100, C200, C400, or C800, or other)  
 If IEC ratings, list class and burden \_\_\_\_ (e.g. class 0.2-20 VA, 5P20-40 VA)
- Continuous rating factor: \_\_\_\_ (std. is RF=2.0)
- Frequency: \_\_\_\_ (std is 60 Hz)
- Lead length and type: \_\_\_\_, size - \_\_\_\_ (std is #10 AWG THHN)
- Used - Above oil: \_\_\_\_ (y/n) or Dry surroundings: \_\_\_\_ (y/n)

## TYPE SP-061

**600 Volts**  
**Outdoor**  
**10 kV BIL**  
 60 Hertz



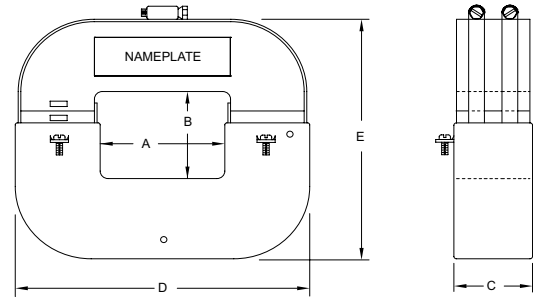
Note: Split-core CTs must be mounted flat using resin pads or mounting brackets. Units are custom manufactured to customer specifications. Contact factory to discuss other options.

When ordering split-core CTs, include the following information:

- Min. inside diameter (ID): \_\_\_\_ in. [mm]
- Max. outside diameter (OD): \_\_\_\_ in. [mm]
- Max. allowable height (HT): \_\_\_\_ in. [mm]
- Current ratio and taps, if any: \_\_\_\_ (:5A or :1A / SR, DR, MR)
- Accuracy and burden requirements, for example -  
 Metering: \_\_\_\_ (0.3B-0.1 through B-1.8)  
 Relaying: \_\_\_\_ (C100, C200, C400, or C800, or other)  
 If IEC ratings, list class and burden \_\_\_\_ (e.g. class 0.2-20 VA, 5P20-40 VA)
- Continuous rating factor: \_\_\_\_ (std. is RF=2.0)
- Frequency: \_\_\_\_ (std is 60 Hz)
- Conduit box hub size: \_\_\_\_ (std is 1" NPT)

# TYPE CO-9740

600 Volts  
Indoor  
10 kV BIL  
60 Hertz



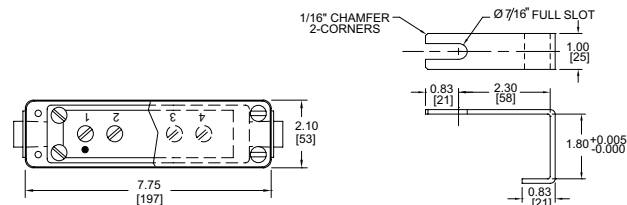
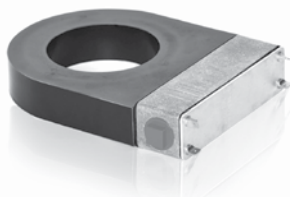
Primary Amps	Style Number	IEEE Metering Accuracy
<b>2.75" x 2.75" window (Dim A and B)</b>		
300	A19R27S03-570	1.2B-0.1
400	A19R27S04-570	1.2B-0.1
500	A19R27S05-570	1.2B-0.1
600	A19R27S06-570	1.2B-0.1
800	A19R27S08-570	0.6B-0.2
<b>5.5" x 5.5" window (Dim A and B)</b>		
300	A19R55S03-570	1.2B-0.1
400	A19R55S04-570	1.2B-0.1
500	A19R55S05-570	1.2B-0.1
600	A19R55S06-570	1.2B-0.1
800	A19R55S08-570	0.6B-0.2
1000	A19R55S10-570	0.6B-0.2
1200	A19R55S12-570	0.3B-0.5
1500	A19R55S15-570	0.3B-0.9
1600	A19R55S16-570	0.3B-0.9
2000	A19R55S20-570	0.3B-1.8
<b>9.0" x 9.0" window (Dim A and B)</b>		
600	A19R90S06-570	1.2B-0.1
800	A19R90S08-570	0.6B-0.2
1000	A19R90S10-570	0.6B-0.2
1200	A19R90S12-570	0.3B-0.5
1500	A19R90S15-570	0.3B-0.9
1600	A19R90S16-570	0.3B-0.9
2000	A19R90S20-570	0.3B-1.8
3000	A19R90S30-570	0.3B-1.8
4000	A19R90S40-570	0.3B-1.8

Relay Accuracy	Rating factor @ 30°C	Dim E Height (in.)	Dim D Width (in.)	Dim C Length (in.)	Weight (lbs.)
<b>2.75" x 2.75" window (Dim A and B)</b>					
C20	1.5	6.0	6.0	4.50	20
C50	1.5	6.0	6.0	4.50	20
C50	1.5	6.0	6.0	4.50	20
C75	1.5	6.0	6.0	4.50	20
C100	1.5	6.0	6.0	4.50	20
<b>5.5" x 5.5" window (Dim A and B)</b>					
C20	1.5	8.75	8.75	4.50	27
C50	1.5	8.75	8.75	4.50	27
C50	1.5	8.75	8.75	4.50	27
C75	1.5	8.75	8.75	4.50	27
C100	1.5	8.75	8.75	4.50	27
C100	1.5	8.75	8.75	4.50	27
C150	1.5	8.75	8.75	4.50	27
C150	1.5	8.75	8.75	4.50	27
C200	1.5	8.75	8.75	4.50	27
C200	1.5	8.75	8.75	4.50	27
<b>9.0" x 9.0" window (Dim A and B)</b>					
C75	1.5	12.63	12.63	4.50	40
C100	1.5	12.63	12.63	4.50	40
C100	1.5	12.63	12.63	4.50	40
C150	1.5	12.63	12.63	4.50	40
C150	1.5	12.63	12.63	4.50	40
C200	1.5	12.63	12.63	4.50	40
C200	1.5	12.63	12.63	4.50	40
C300	1.5	12.63	12.63	4.50	40
C400	1.0	12.63	12.63	4.50	40

One second thermal/mechanical ratings: 80 x full winding  $I_{nom}$  / unlimited mechanical.

# TYPE SCADA-BEH

600 Volts  
Indoor/outdoor  
10 kV BIL  
60 Hertz



Primary Amps	Style Number	Accuracy/Burden
100	A370100S47	± 10% - 2.5 VA
150	A370150S47	± 10% - 2.5 VA
200	A370200S47	± 5% - 2.5 VA
250	A370250S47	± 5% - 2.5 VA
300	A370300S47	± 3% - 2.5 VA
300 MR	A370300M47	± 2.5% - 2.5 VA
300 MR	A370300M55	TBD
400	A370400S47	± 3% - 2.5 VA
450	A370450S47	± 3% - 2.5 VA
450 MR	A370450M47	± 2.5% - 2.5 VA
500	A370500S47	± 3% - 2.5 VA
600	A370600S47	± 3% - 2.5 VA
600	A370600S55	± 3% - 2.5 VA
600 MR	A370600M55	± 2.5% - 2.5 VA
800	A370800S55	± 3% - 2.5 VA
1000	A371000S55	± 3% - 2.5 VA
1200	A371200S55	± 3% - 2.5 VA

Window Diam. (in.)	Rating Factor @ 30°C	Height (in.)	Width (in.)	Length (in.)	Weight (lbs.)
4.75	2.0	10.5	8.0	2.1	8-9
4.75	2.0	10.5	8.0	2.1	8-9
4.75	2.0	10.5	8.0	2.1	8-9
4.75	2.0	10.5	8.0	2.1	8-9
4.75	2.0	10.5	8.0	2.1	8-9
4.75	2.0	10.5	8.0	2.1	8-9
4.75	2.0	10.5	8.0	2.1	8-9
4.75	2.0	10.5	8.0	2.1	8-9
4.75	2.0	10.5	8.0	2.1	8-9
4.75	2.0	10.5	8.0	2.1	8-9
4.75	2.0	10.5	8.0	2.1	8-9
4.75	2.0	10.5	8.0	2.1	8-9
4.75	1.5	10.5	8.0	2.1	8-9
4.75	1.5	10.5	8.0	2.1	8-9

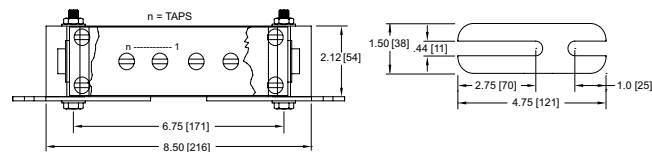
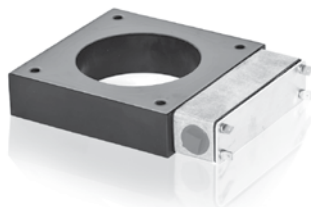
MR = multi ratio

One second thermal/mechanical ratings: 80 x full winding  $I_{nom}$  / unlimited mechanical.

Catalog numbers ending in "47" have a 4¾" window; ending in "55" have a 5½" window.

# TYPE SCADA-DEH

600 Volts  
 Indoor/outdoor  
 10 kV BIL  
 60 Hertz  
 Primary current ratios:  
 50:5 to 4000:5



Primary Amps	Style Number	Accuracy/Burden Metering*	Relay
300 MR	A03S0001-570	-	C10
450 MR	A03S0002-570	-	C15
600	A03S0009-570	0.3B-0.5	-
600 MR	A03S0012-570	-	C25
600	A03S0014-570	0.3B-0.2	-
800 MR	A03S0020-570	-	C30
1200 MR	A03S0018-570	-	C50

Window Diam. (in.)	Rating Factor @ 30°C	Height (in.)	Width (in.)	Length (in.)	Weight (lbs.)
5.75	2.0	11.12	8.50	2.12	16-17
5.75	2.0	11.12	8.50	2.12	16-17
5.75	2.0	11.12	8.50	2.12	16-17
5.75	2.0	11.12	8.50	2.12	16-17
5.75	2.0	11.12	8.50	2.12	16-17
5.75	2.0	11.12	8.50	2.12	16-17

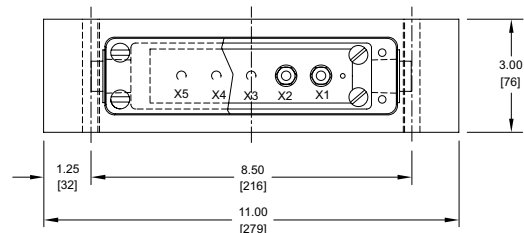
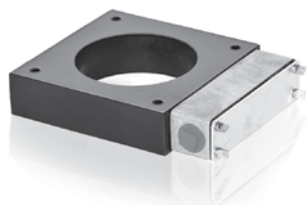
MR = multi ratio. Available in single, dual, and multi-ratio designs.

One second thermal/mechanical ratings: 80 x full winding  $I_{nom}$  / unlimited mechanical.

\* Units can be certified for revenue metering. Change "570" of catalog number to "590".

## TYPE SCADA-CEH

600 Volts  
Indoor/outdoor  
10 kV BIL  
60 Hertz



Primary Amps	Style Number	Accuracy/Burden	
		Metering*	Relay
100	A0101S01-570	±10% - 1VA	-
200	A0102S01-570	1.2B-0.1	-
300	A0103S01-570	0.6B-0.1	C5
400	A0104S01-570	0.3B-0.1	C10
500	A0105S01-570	0.3B-0.2	C15
600	A0106S01-570	±3% - 5VA	C15
800	A0108S01-570	0.3B-0.5	C20
1000	A0110S01-570	0.3B-0.5	C30
1200	A0112S01-570	0.3B-0.9	C40
1500	A0115S01-570	0.3B-0.9	C50
1600	A0116S01-570	0.3B-0.9	C50
2000	A0120S01-570	0.3B-1.8	C35
2500	A0125S01-570	0.3B-1.8	C40
3000	A0130S01-570	0.3B-1.8	C50
4000	A0140S01-570	0.3B-1.8	C50
5000	A0150S01-570	0.3B-1.8	-
6000	A0160S01-570	0.3B-1.8	-

Window Diam. (in.)	Rating Factor @ 30°C	Height (in.)	Width (in.)	Length (in.)	Weight (lbs.)
8.13	2.0	13.8	11.0	3.0	20-22
8.13	2.0	13.8	11.0	3.0	20-22
8.13	2.0	13.8	11.0	3.0	20-22
8.13	2.0	13.8	11.0	3.0	20-22
8.13	2.0	13.8	11.0	3.0	20-22
8.13	2.0	13.8	11.0	3.0	20-22
8.13	2.0	13.8	11.0	3.0	20-22
8.13	2.0	13.8	11.0	3.0	20-22
8.13	2.0	13.8	11.0	3.0	20-22
8.13	2.0	13.8	11.0	3.0	20-22
8.13	2.0	13.8	11.0	3.0	20-22
8.13	2.0	13.8	11.0	3.0	20-22
8.13	2.0	13.8	11.0	3.0	20-22
8.13	2.0	13.8	11.0	3.0	20-22
8.13	2.0	13.8	11.0	3.0	20-22
8.13	1.5	13.8	11.0	3.0	20-22
8.13	1.33	13.8	11.0	3.0	20-22
8.13	1.0	13.8	11.0	3.0	20-22
8.13	1.0	13.8	11.0	3.0	20-22
8.13	1.0	13.8	11.0	3.0	20-22

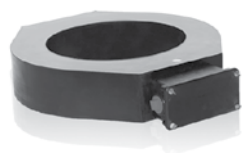
Available in dual and multi-ratio designs.

One second thermal/mechanical ratings: 60 x full winding  $I_{nom}$  / unlimited mechanical.

\* Units can be certified for revenue metering. Change "570" of catalog number to "590".

## TYPES PS-981/PH-982

600 Volts  
Indoor/outdoor  
10 kV BIL  
60 Hertz



Note: Many mounting options offered. Units are custom manufactured to customer specifications. Contact factory to discuss other options.

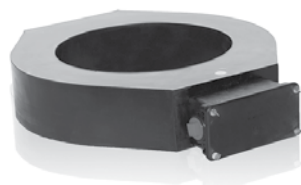
When ordering slip-over CTs, include the following information:

- Min. inside diameter (ID): \_\_\_\_ in. [mm]
- Max. outside diameter (OD): \_\_\_\_ in. [mm]
- Max. allowable height (HT): \_\_\_\_ in. [mm]
- Current ratio and taps, if any: \_\_\_\_ (:5A or :1A / SR, DR, MR)
- Accuracy and burden requirements, for example  
Metering: \_\_\_\_ (0.3B-0.1 through B1.8)  
High accuracy: \_\_\_\_ (0.15)  
Relaying: \_\_\_\_ (C100, C200, C400, or C800, or other)
- If IEC ratings, list class and burden \_\_\_\_ (e.g. class 0.2-20 VA, 5P20-40 VA)
- Continuous rating factor: \_\_\_\_ (std. is RF=2.0)
- Frequency: \_\_\_\_ (std is 60 Hz)
- Conduit box hub size: \_\_\_\_ (std. is 1" NPT)



# TYPE ACCUSlip™

600 Volts  
Indoor/outdoor  
10 kV BIL  
60 Hertz



Nominal current ratio					
ID x OD	100:5	150:5	200:5	300:5	400:5
RF	2.0	2.0	2.0	3.0-4.0	4.0
HT	8.75"	8.75"	8"	6"-8"	6"-8"
6 x 16	0.3B-0.1 class only	0.3B-0.2 class only	0.15B-0.2 - 5% 0.3B-0.9	0.15B-0.5 0.3B-0.9 - 10%	0.15B-0.5 - 5% 0.3B-0.9 - 10%
8 x 18					
10 x 20					
12 x 22					
14 x 24	0.3B-0.1 - 5% 0.3B-0.2/B-0.4 0.6B-0.5	0.3B-0.2	0.15B-0.2 - 10% 0.3B-0.9	0.15B-0.2 0.3B-0.9	0.15B-0.2 - 5% 0.3B-0.5 0.6B-0.9
16 x 26					
18 x 28					
20 x 30					
22 x 32					
24 x 34					
26 x 36					
28 x 38					
30 x 40					
32 x 42					
34 x 44					
36 x 46					

**Notes:**

Rating factor: unless otherwise noted  
 -1000:5 through 2000:5, RF 3.0  
 -2500:5 through 3000:5, RF 2.0  
 -4000:5 and above, RF 1.5

This is intended to assist the engineer in selecting the metering range desired by CT size and current ratio. The standard accuracy class as defined by IEEE C57.13 states that the accuracy at 10% rated current can be twice the accuracy class by which it is rated at nominal current, and must be in that same class from 100% rated current through the CT rating factor. This table is based on test results of various designs produced and is subject to change. It is to be used as a guide only; for actual performance, contact the factory.

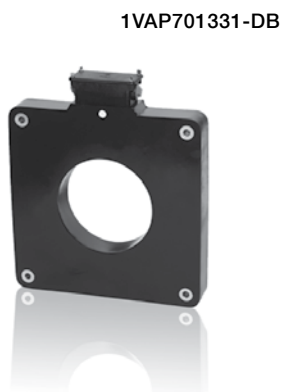
500:5	600:5	800:5	1000:5	1200:5 & up
4.0	4.0	4.0	3.0	see note
6"-8"	6"	6"	6"	3"-6"
0.15B-0.5 - 5% 0.15B-0.9 0.3B-1.8	0.15B-1.8 - 5%	0.15B-0.9 - 5% 0.3B1.8 - 5%	0.15B-0.9 - 5% 0.15B-1.8 - 10%	0.15B-0.9 - 5% 0.15B-1.8 - 10%
	0.15B-0.9 - 5% 0.15B-1.8 - 10%			
	0.15B-0.5 - 5% 0.15B-0.9 0.3B-1.8			
	0.15B-0.9 - 10% 0.3B-1.8			
0.15B-0.5 - 5% 0.3B-0.9 - 10% 0.3B-1.8	0.15B-0.5 - 5% 0.15B-0.9 0.3B-1.8	0.15B-0.5 - 5% 0.15B-0.9 0.3B-1.8		0.15B-0.9 - 5% 0.15B-1.8 - 10%

This table provides the lowest measurable range obtainable, based on actual test data, the CT will deliver to the rated burden. If a percentage is missing, it is assumed to respond as defined. For stated percentages, the accuracy will be maintained from that percentage of rated current through its rating factor. For other sizes and special burden requirements, consult the factory. Non-standard burdens or adjustment to fixed burdens are possible. No units will be available with build-ups and/or heights less than 2.25".

## TYPE PSG-981

600 Volts  
Indoor/outdoor  
10 kV BIL  
60 Hertz

Note: Units are custom manufactured to customer specifications. Contact factory to discuss other options.



When ordering molded resin generator CTs, include the following information:

- Min. inside diameter (ID): \_\_\_\_\_ in. [mm]
- Max. outside diameter (OD): \_\_\_\_\_ in. [mm]
- Max. allowable height (HT): \_\_\_\_\_ in. [mm]
- Current ratio: \_\_\_\_\_ (:5A or :1A)
- Number of cores: \_\_\_\_\_ (1, 2, or 3)
- Accuracy and burden requirements, for example -  
Metering: \_\_\_\_\_ (IEEE C57.13 or IEC 60044-1)  
Relaying: \_\_\_\_\_ (IEEE C57.13 or IEC 60044-1)
- Continuous rating factor: \_\_\_\_\_ (std. is RF=1.0 @ 55°C)
- Mounting hole arrangement: \_\_\_\_\_, size - \_\_\_\_\_ (e.g. 34" BC, (4) 3/4" diameter holes)
- Frequency: \_\_\_\_\_ (50, 60 Hz, or other)
- Conduit box hub size: \_\_\_\_\_ (std is 1" NPT)

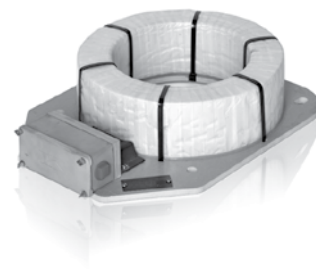
### Options:

These units can be stacked on top of one another, but it is highly recommended that some space exists to allow for air circulation and cooling. Through careful calculation, steel selection, and testing, existing current transformer characteristics can be matched. Existing characteristic curve is required. Contact factory for other needs.

## TYPES GCT-848/HW-945/ GCT-802 and ISO-Phase Bus Current Transformers

600 Volts  
Indoor/outdoor  
10 kV BIL  
50 and/or 60 Hertz

Primary current ratios:  
Available up to 50000:5



When ordering generator CTs, include the following information:

- Min. inside diameter (ID): \_\_\_\_\_ in. [mm]
- Max. outside diameter (OD): \_\_\_\_\_ in. [mm]
- Max. allowable height (HT): \_\_\_\_\_ in. [mm]
- Current ratio: \_\_\_\_\_ (:5A or :1A)
- Number of cores: \_\_\_\_\_ (1 - GCT-848; 2, 3, 4, or 5 - HW-945)
- Accuracy and burden requirements, for example -  
Metering: \_\_\_\_\_ (IEEE C57.13 or IEC 60044-1)  
Relaying: \_\_\_\_\_ (IEEE C57.13 or IEC 60044-1)
- Continuous rating factor: \_\_\_\_\_ (std. is RF=1.0 @ 55°C)
- Mounting hole arrangement: \_\_\_\_\_, size - \_\_\_\_\_ (e.g. 34" BC, (4) 3/4" diameter holes)
- For GCT-802, lead length and type: \_\_\_\_\_, size \_\_\_\_\_ (std is #10 AWG)
- Frequency: \_\_\_\_\_ (50, 60 Hz, or other)
- Conduit box hub size: \_\_\_\_\_ (std is 1" NPT)
- Specify with or without mounting board

Note: Units are custom manufactured to customer specifications. Contact factory to discuss other options.

### Options:

These units can be provided in a pre-assembled array of two (2) to five (5) GCTs (HW-945). The unit can also be provided without an insulating board and #10 TEFZEL leads (GCT-802). Through careful calculation, steel selection, and testing, existing current transformer characteristics can be matched. Existing characteristic curve is required. Contact factory for other needs.

# Circuit Breaker Application Guide

Application of ABB CTs with Low Voltage Circuit Breakers		
Breaker type	Breaker frame size	ABB CT Type
<b>Cutler Hammer</b>		
DS	800 A	IMC, SCN
	1600 & 3000 A	SCL, SCM
	800 & 2000 A	DSM-16
	3200 A	DSM-32
	4000 A	DSM-40
<b>Siemens</b>		
RL-800	800 A	SCS-1R & 1M
RLX-800	800 A	SCS-2R & 2M
RL-1600	1600 A	SCS-2R & 2M
RL-2000	2000 A	SCS-2R & 2M
RL-3200	3200 A	SCJ-1R & 1M
RL-4000	4000 A	SCJ-2R & 2M
<b>General Electric</b>		
Molded case draw-out	N/A	IMC, SCN
Molded case draw-out	N/A	SCN
Molded case draw-out	N/A	SCL, SCM
AKR	N/A	SCN, SCN-D (in bus compartment)
AKR	N/A	SCN, SCN-D (in bus compartment)

Application of ABB CTs with Medium Voltage Circuit Breakers		
Breaker type	Breaker current rating	ABB CT Type
<b>ABB</b>		
15 VHK	1200 A, 2000 A	SAB-1, SAB-1D
	3000 A	SAB-2, SAB-2D
5 VHK 250/350	26" wide	AB-5
	36" wide	SAB-1
<b>Advac</b>		
5	1200, 2000, 3000	SAB-1
15		
27		
<b>Cutler-Hammer</b>		
50 DHP 75	1200 A	RCT-5, RTL-5, SCN-D
50 DHP 250 50 DHP 350	1200 A	RCT-5, RTL-5, SCN-D, SCG-4, SCG-5
	2000 A	RCT-5, RTL-5
	3000 A	
75 DHP 500 150 DHP 500	1200 A	RCT-15, RTL-15,
	2000 A	RTL-7, SCL-D, SCO
150 DHP 750 150 DHP 1000	3000 A	RCT-7, RTL-7
	All	SCV, SCV-D
<b>Siemens</b>		
MA 250 MA 350	1200 A	SCG-5, SCN, SCN-D, SCG-5
	2000 A	SCG-5
FA 350	3000 A	Consult factory
FB 500 FC 500 FC 750 FC 1000	1200 A, 2000 A	SCL-D, SCO
	3000 A	Consult factory
	All	SCR, SCR-D
	All	SCR, SCR-D
<b>General Electric</b>		
Power/VAC vacuum breakers	All	SCV, SCV-D
<b>Square D</b>		
FG-2 Vacuum GB	All	SCV, SCV-D, SCD-2
5 & 15 kV SF6 and vacuum outdoor	All	SCD-2

# Competitor Cross Reference

ABB Type	GE/ITI Type	GE Type
<b>600 Volt Current Transformers</b>		
DSM-16	350	
DSM-32	360	
DSM-40	365	
RCA	309	
RCB	307	
RCI-1	137	
RCI-2	139	
RCT-15	730	
RCT-5	720	
RTL-15	732	
RTL-5	722	
SAB-1	622	
SAB-1D	624	
SAB-2	623	
SAB-2D	625	
SCA	308	
SCB	306	
SCD-1	145	
SCD-2	143	
SCD-3	141	
SCE	170	
SCG-1	112	
SCG-2	113	
SCG-3	114	
SCG-4	115	
SCG-5	117	
SCH-1	296	
SCH-2	297	
SCH-3	298	
SCH-4	299	
SCH-5	300	
SCJ-1	353	
SCJ-2	354	
SCL	120	JAH-0 (above 800A)
SCL-D	130	
SCM	125	
SCN	100	JAH-0 (thru 800A)
SCN-D	110	
SCO	135	
SCP-1	144	
SCP-2	142	
SCP-3	140	
SCR	680	
SCR-D	685	
SCS-1	351	
SCS-2	352	
SCV-D	785	
SOV-MR	781	
SCV	780	JAG-0
CLC		JAD-0
CLE		JCD-0
IMC		JCH-0
RLC		JCP-0
AB-5	675	
PPD	460	
PPM	450	JVA-0
PPX	450	

ABB Type	GE/ITI Type	GE Type
<b>5 - 15 kV Current Transformers</b>		
KIR-60, 75, 11		JKM-3, 4, 5
<b>5 - 34.5 kV Current Transformers</b>		
VIY-60	PT3	JVM-3
VIZ-75, 11	PT4, 5	JVM-4,5
VIZ-12G	PT6	
VIZ-12, 15	PT6, 7	
VIZ-20		
VIZZ-15		

# STANDARD CURRENT TRANSFORMER MULTI-RATIO TAPS

Current Ratings (A)	Secondary Taps	Current Ratings (A)	Secondary Taps
<b>600:5</b>		<b>3000:5</b>	
50:5	X2-X3	300:5	X3-X4
100:5	X1-X2	500:5	X4-X5
150:5	X1-X3	800:5	X3-X5
200:5	X4-X5	1000:5	X1-X2
250:5	X3-X4	1200:5	X2-X3
300:5	X2-X4	1500:5	X2-X4
400:5	X1-X4	2000:5	X2-X5
450:5	X3-X5	2200:5	X1-X3
500:5	X2-X5	2500:5	X1-X4
600:5	X1-X5	3000:5	X1-X5
<b>1200:5</b>		<b>4000:5</b>	
100:5	X2-X3	500:5	X1-X2
200:5	X1-X2	1000:5	X3-X4
300:5	X1-X3	1500:5	X2-X3
400:5	X4-X5	2000:5	X1-X3
500:5	X3-X4	2500:5	X2-X4
600:5	X2-X4	3000:5	X1-X4
800:5	X1-X4	3500:5	X2-X5
900:5	X3-X5	4000:5	X1-X5
1000:5	X2-X5		
1200:5	X1-X5		
<b>2000:5</b>		<b>5000:5</b>	
300:5	X3-X4	500:5	X2-X3
400:5	X1-X2	1000:5	X4-X5
500:5	X4-X5	1500:5	X1-X2
800:5	X2-X3	2000:5	X3-X4
1100:5	X2-X4	2500:5	X2-X4
1200:5	X1-X3	3000:5	X3-X5
1500:5	X1-X4	3500:5	X2-X5
1600:5	X2-X5	4000:5	X1-X4
2000:5	X1-X5	5000:5	X1-X5

Ref: IEEE Std. C57.13 - 1993, Table 8

## BURDEN STANDARDS

### Current Transformer Standard Burden Characteristics (60 Hz and 5 Ampere Secondary)

Burden Designation	Resistance Ohms	Inductance Millihenrys	Impedance Ohms	Volt-Amperes	Power Factor
<b>Metering Burdens</b>					
B-0.1	0.09	0.116	0.1	2.5	0.9
B-0.2	0.18	0.232	0.2	5.0	0.9
B-0.5	0.45	0.580	0.5	12.5	0.9
B-0.9	0.81	1.040	0.9	22.5	0.9
B-1.8	1.62	2.080	1.8	45.0	0.9
<b>Relaying Burdens</b>					
B-1	0.5	2.3	1.0	25	0.5
B-2	1.0	4.6	2.0	50	0.5
B-4	2.0	9.2	4.0	100	0.5
B-8	4.0	18.5	8.0	200	0.5

### Voltage Transformer Standard Burden Characteristics

Burden Designation	Secondary Volt-Amperes	Burden Power Factor
W	12.5	0.10
X	25.0	0.70
M	35.0	0.20
Y	75.0	0.85
Z	200.0	0.85
ZZ	400.0	0.85

# Contact us

For more information please contact:

**ABB Inc.**

**Medium Voltage Distribution Components**

3022 NC 43 North

Pinetops, NC 27864

USA

Phone: +1 252 827 3212

Fax: +1 252 827 4286

**[www.abb.com/mediumvoltage](http://www.abb.com/mediumvoltage)**

1VAP420002-TG April 2014 Rev. B