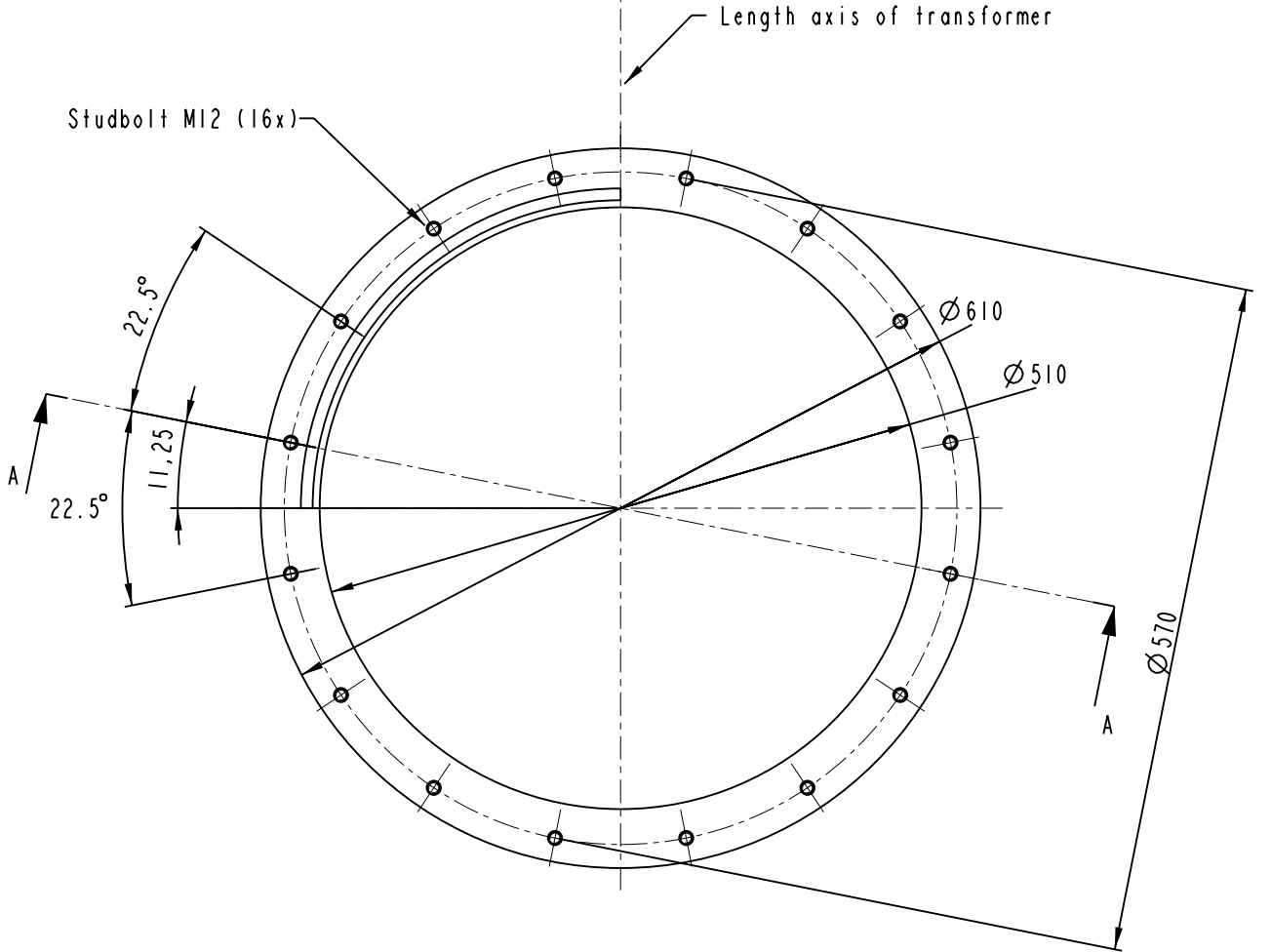
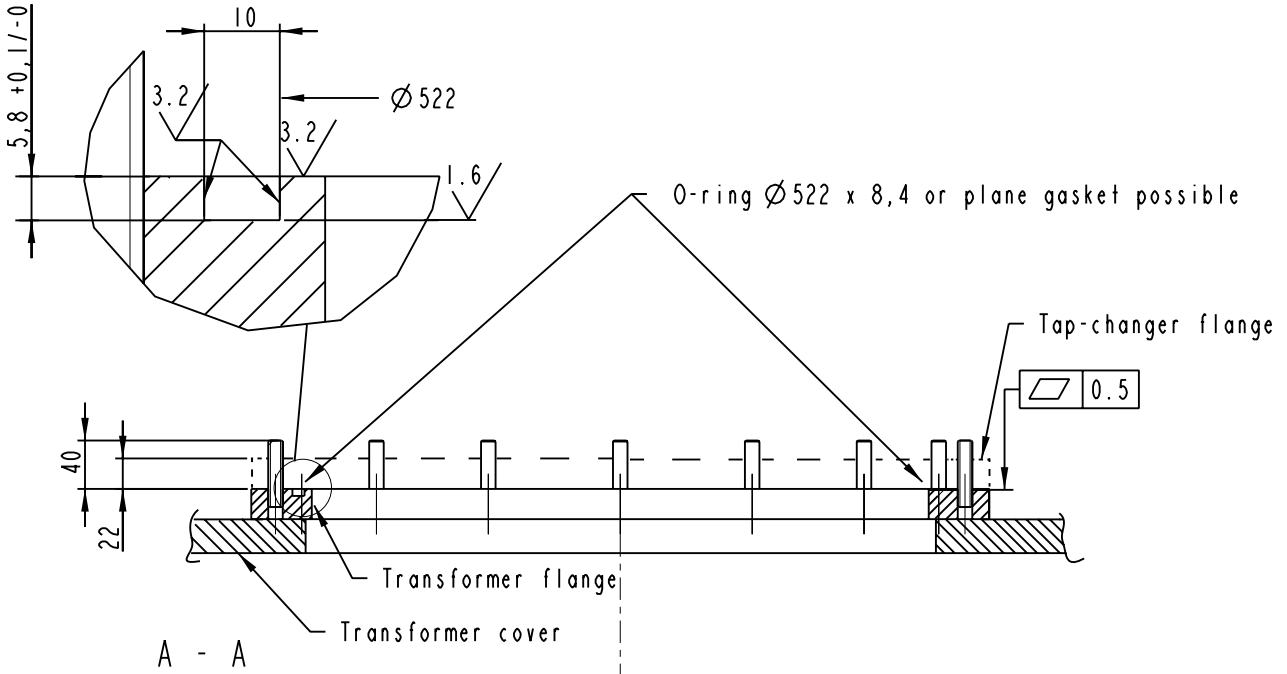


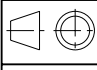
We reserve all rights in this document and in the information contained therein. Reproduction, use or disclosure to third parties without express authority is strictly forbidden. ©ABB



Production engineering review

Inspection engineering review

Design engineering review

Based on	Reg. No.	Title FLANGE ON TRANSFORMER COVER	 Language en	
Prepared B Hultgren 96-11-01	Responsible department COM/TK			Page 1(1)
Approved M Eriksson	Take over department			
Revision	Database DIMENSION_DWGS			
ABB ABB Components		Document No. 54920088-11		