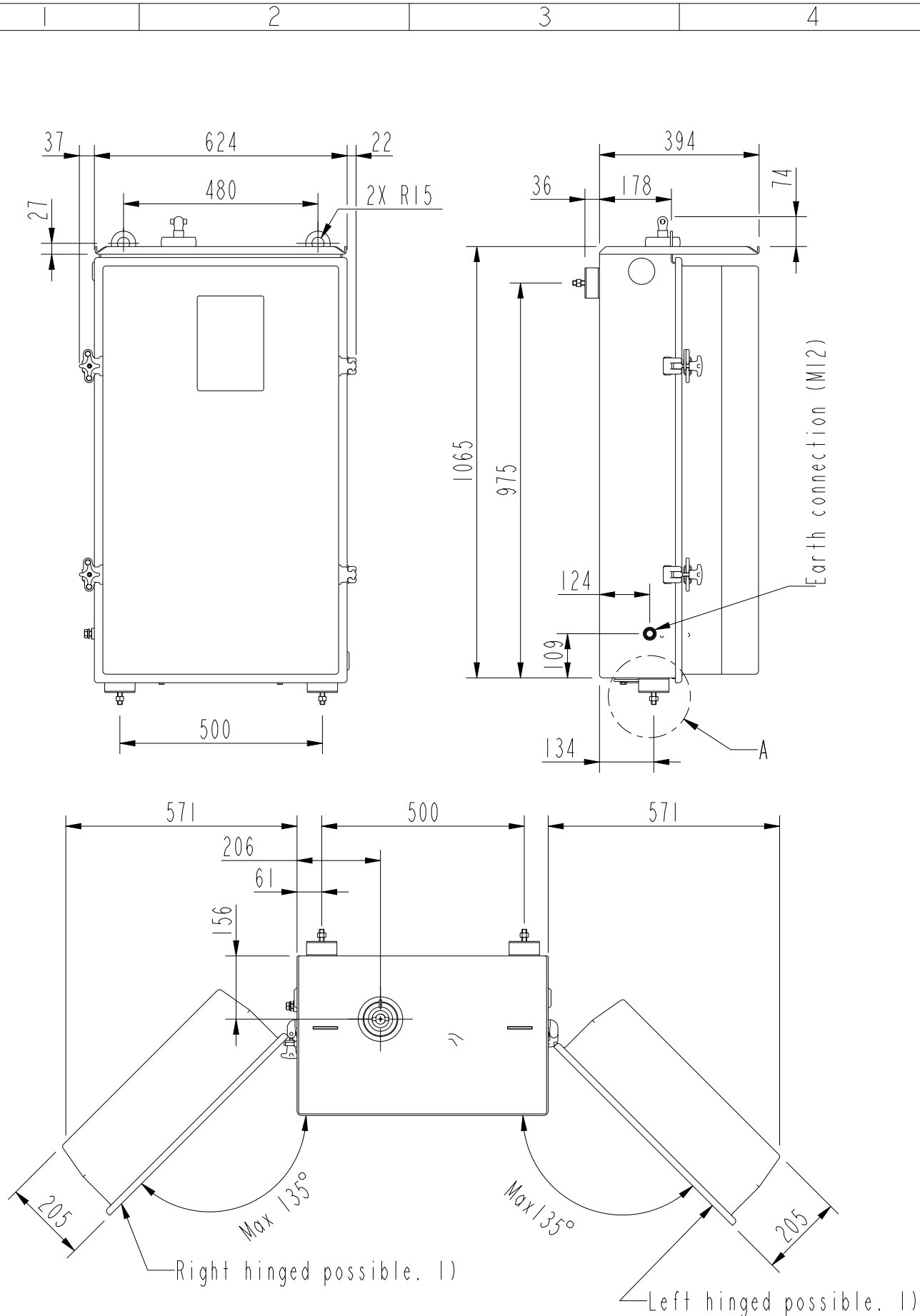


This document is issued by means of a computerized system.
 The digitally stored original is electronically approved.
 The approved document has a date entered in the "Approved"-field.
 A manual signature is not required.

We reserve all rights in this document and in the information contained therein.
 Reproduction, use or disclosure to third parties without express authority
 is strictly forbidden. © 2022 Hitachi Energy.



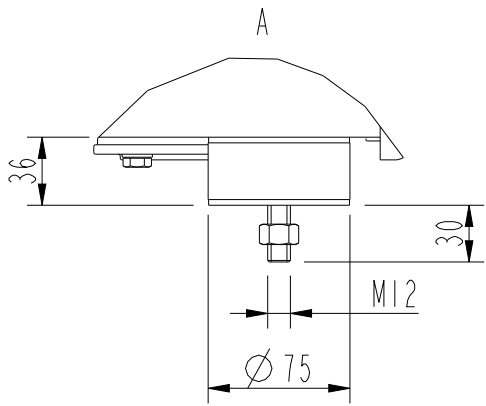
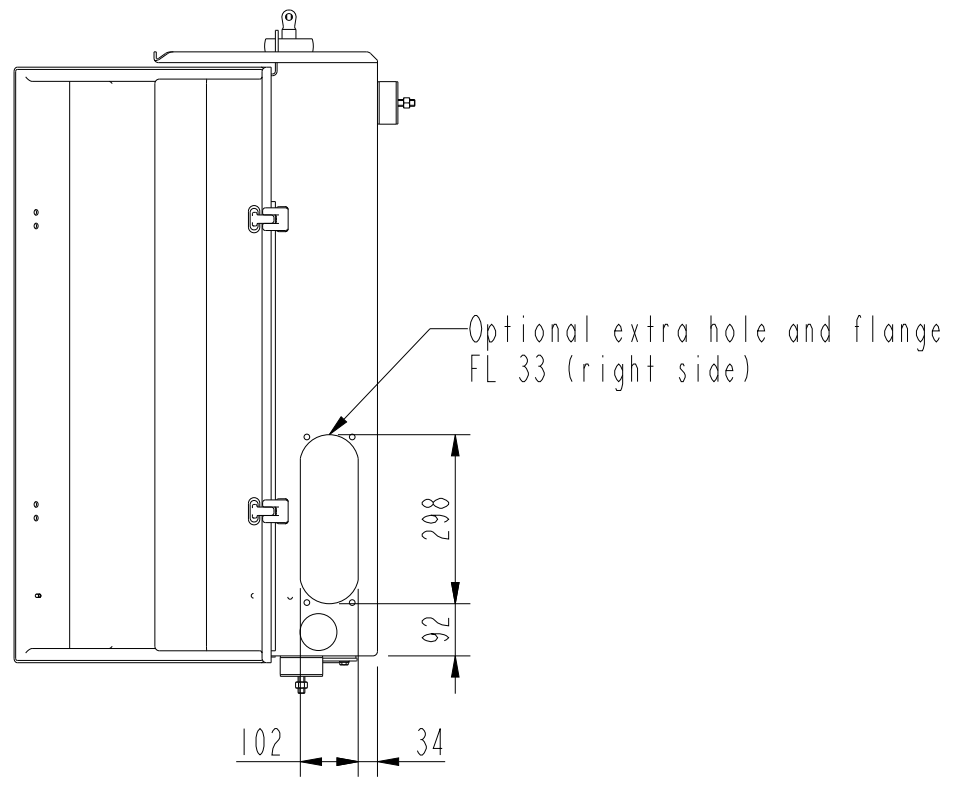
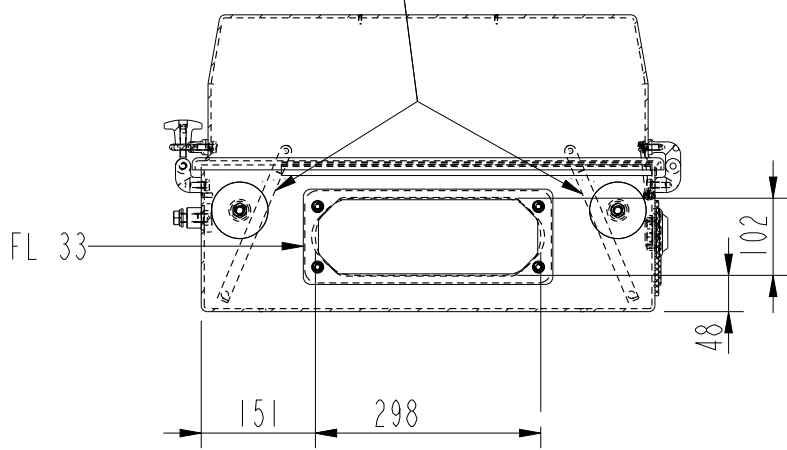
1) Either right or left hinged possible.
 Antingen höger- eller vänsterhängd dörr möjlig.

DOCUMENT KIND	APPROVED	TITLE / SUPPLEMENTARY TITLE		
Outline Drawing	2023-01-24	BUE2 mounted on rubber support		
RESPONSIBLE DEPARTMENT		BUE2 monterad på gummistöd		
SEABB-9AAE300824				
RESPONSIBLE COMPANY		DOCUMENT ID	STATUS	REVISION
Hitachi Energy Sweden AB		1ZSC004106-AAH	Approved	B
				SHEET
				1/2

This document is issued by means of a computerized system.
 The digitally stored original is electronically approved.
 The approved document has a date entered in the "Approved"-field.
 A manual signature is not required.

We reserve all rights in this document and in the information contained therein.
 Reproduction, use or disclosure to third parties without express authority
 is strictly forbidden. © 2022 Hitachi Energy.

Door holder (Right/left as option)



DOCUMENT KIND	APPROVED	TITLE / SUPPLEMENTARY TITLE			
Outline Drawing	2023-01-24	BUE2 mounted on rubber support			
RESPONSIBLE DEPARTMENT		BUE2 monterad på gummistöd			
SEABB-9AAE300824					
RESPONSIBLE COMPANY		DOCUMENT ID	STATUS	REVISION	SHEET
Hitachi Energy Sweden AB		1ZSC004106-AAH	Approved	B	2/2