

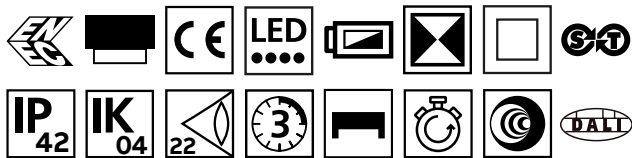
**Movion®**

Modular & versatile



**Escape route signalisation - 22m**

- One version available for wall and ceiling mount
- Strong light distribution with 500 cd/m<sup>2</sup>
- Light track mountable with 3C adapter included
- Recess kit for flush mounting available



**Luminaire**

Order code	Description	Input voltage	Lamp type	Power consumption (VA/W)	Operation / duration (hrs)	Environment temp. (°C)	Weight (kg)
411013111/50	XT800S-M3/ST 22M	230-240 AC 50/60Hz	1 x LED 2W	4.38 / 4.14	3	5-35	0.53
411013211/50	XT800S-M3/DALI 22M	230-240 AC 50/60Hz		4.38 / 4.14	3	5-35	0.53
411013311/50	XT800S-M3/COM 22M	230-240 AC 50/60Hz		4.38 / 4.14	3	5-35	0.53
411012811/50	XT800S-230 22M	220-240 AC/DC 0-60Hz		4.04 / 3.82	230V	0-40	0.48
411012611/50	XT800S-230/LTC 22M	220-240 AC 50/60Hz		4.04 / 3.82	230V	0-40	0.48

Configurable pictograms included

**Legends**

Part No.	Pictogram
<b>ISO 7010</b>	
1522251/50	
1522252/50	
1522253/50	
1522258/50	
1522250/50	
1522210/50	
1522211/50	

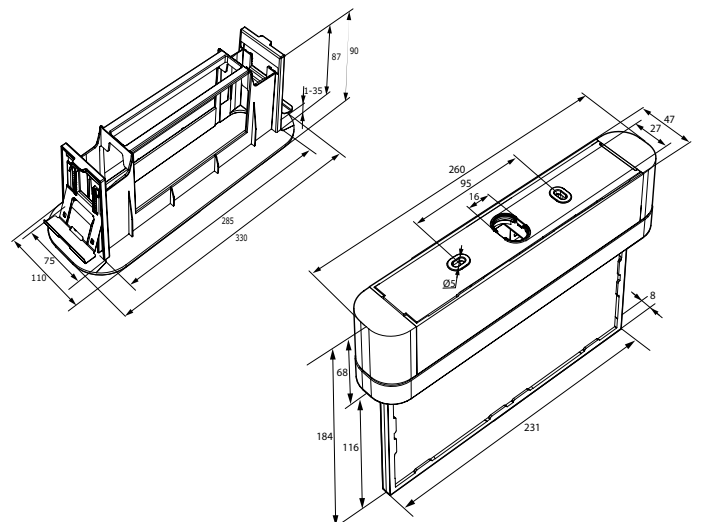
Part no.	Pictogram
1522214/50	
1522205/50	
1522206/50	
1522204/50	

IP Rating	Product type
IP20*	flush mount from above
IP42*	flush mount from below

**Accessories**

Order code	Description	Product type
4110001/50	RK XT800	Recess kit for exit signs
4110003/50	PK XT800*	Pendant kit surface mounted exit signs
4100007/50	RENO XT800**	Renovation kit for exit signs

\*Modular pendant tubes and accessories to be used in combination with the pendant kit  
 \*\* Use the RENO XT800 in combination with RK XT800  
 See spacing tables on pages 134-138



\*Only applicable when the recess kit is used