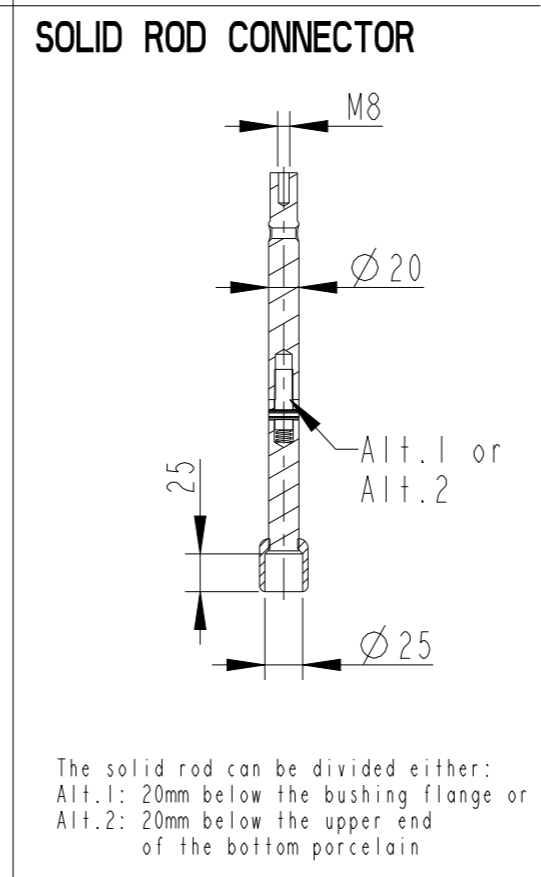
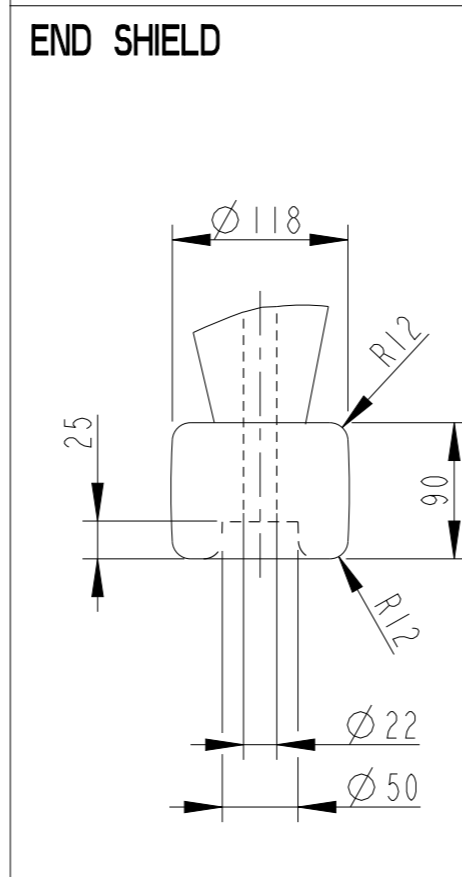
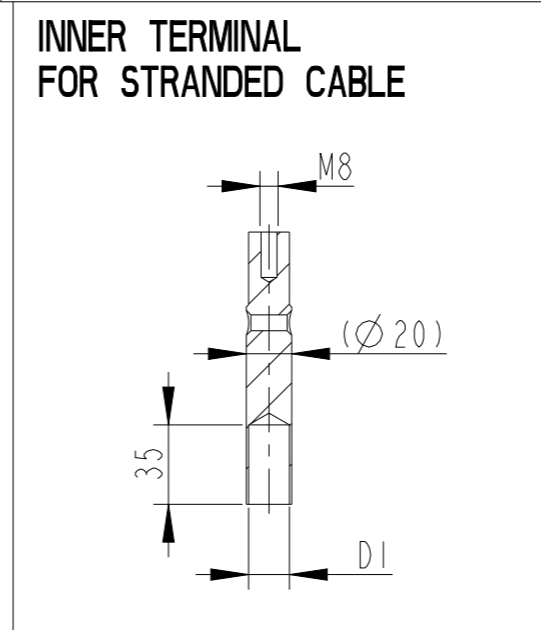
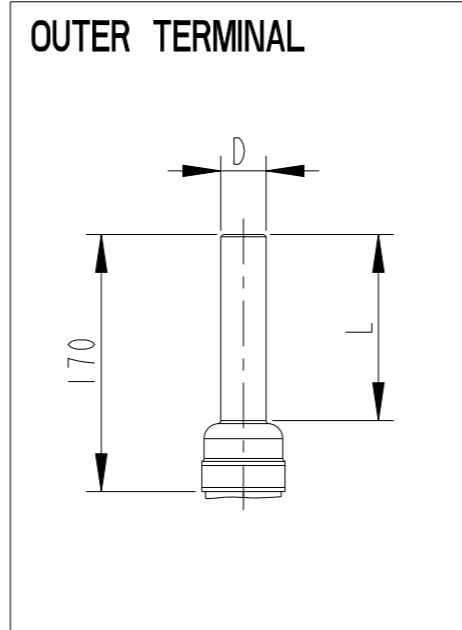
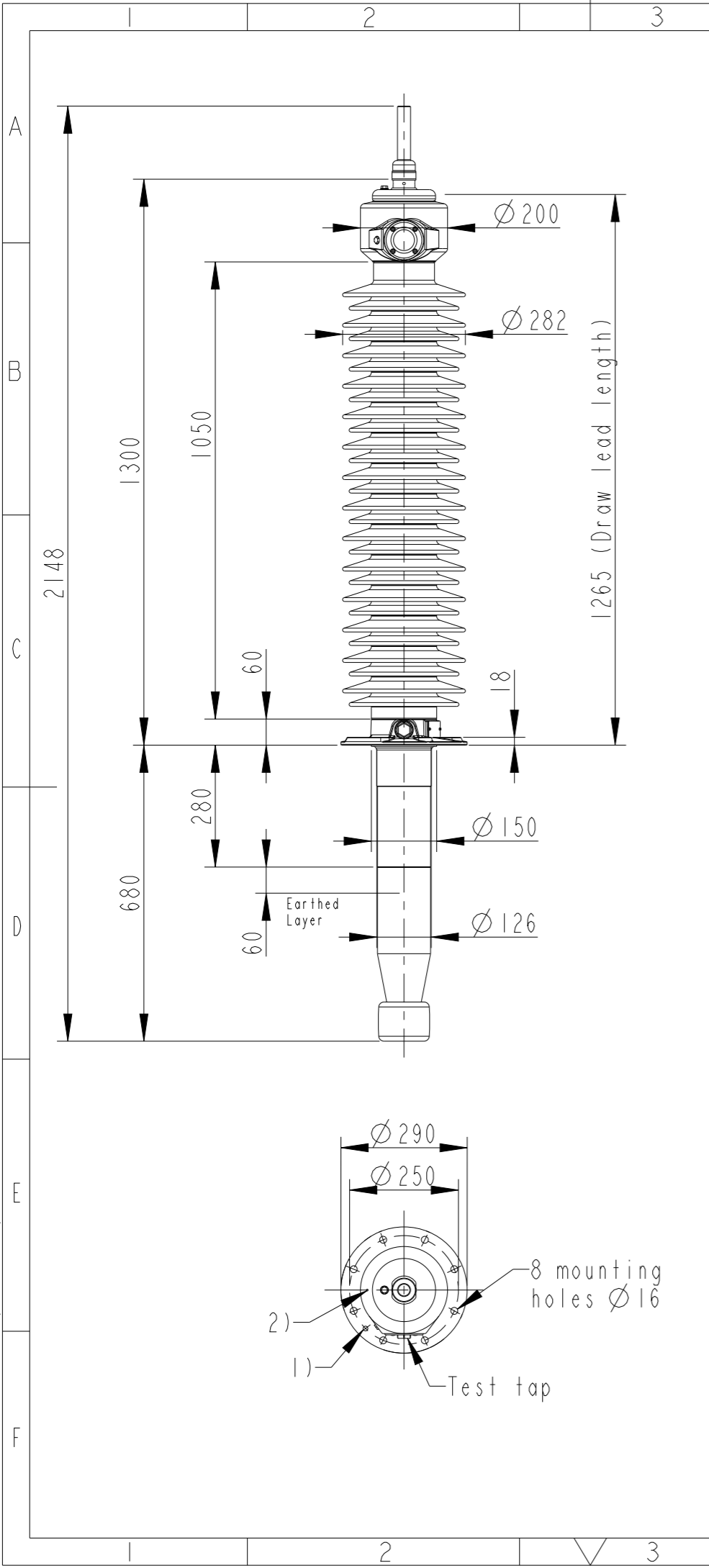


This document is issued by means of a computerized system. The digitally stored original is electronically approved. The approved document has a date entered in the "Approved"-field. A manual signature is not required.

We reserve all rights in this document and in the information contained therein. Reproduction, use or disclosure to third parties without express authority is strictly forbidden.

Revision	Revision text
G	Model changed from part to assembly



Bushing Data:

Rated Voltage	170	kV
Phase to Ground Voltage	98	kV
Dry Lightning Impulse 1,2/50μs	550	kV
Wet power frequency AC	230	kV
Routine test Imin dry 50Hz	260	kV
Rated Current	800	A
Creepage Distance	3890±100	mm
Creepage Distance Protected	1530	mm
Mass	74	kg

Ordering Data:

BUSHING	COLOUR AIR INSULATOR
LF123190-K	BROWN
LF123190-L	LIGHT GREY
LF123190-HK	BROWN Horizontal 45°-90°
LF123190-HL	LIGHT GREY Horizontal 45°-90°
OUTER TERMINAL	Material D L
LF 170 002-A	Cu alloy, Ø30, 125
LF 170 001-A	Al, Ø30, 125
OTHER TYPES ON REQUEST	
INNER TERMINAL FOR STRANDED CABLE	
For brazing	Conductor area D1
LF 170 011-S	up to 150mm ² Ø18
LF 170 011-U	Undrilled with pilot hole Ø5
For crimping or brazing	Conductor area D1
LF 170 010-M	50mm ² Ø11
LF 170 010-N	70mm ² Ø13
LF 170 010-L	95mm ² Ø15
SOLID ROD CONNECTOR	Material
LF 170 019 -AZ for Alt.1	Cu
LF 170 019 -BA for Alt.2	Cu

- M12 (For Earthing)
- Ø4 Oil connection hole (only valid for horizontal mounting)

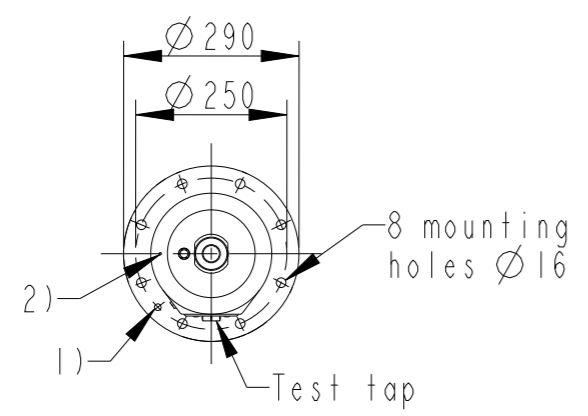


ABB		Ludvika, Sweden	
No.			
Um	kV Ir	A	50/60 Hz
BIL	kV SIL	kV AC	kV
M	kg L	mm	✓
C1	pF Tan δ		x
C2	pF Tan δ		x

Created by Sri Ambicai	Reviewed by Joakim Persson	Approved by Natalia Gutman		
Approved 2020-09-28	Document Kind Outline Drawing	Based on doc.id	Work order id	Project id
Company ABB Technology Ltd	Title, Supplementary title GOB 550-800-0.3 WITH OIL LEVEL GAUGE STD END SHIELD			
Responsible Department SEABB-9AAE300824	Document id 2751369-207	Status Released	Revision G	Iteration 1/1