

BOTTOM VIEW OF MOUNTING AND CABLE ENTRANCE

| CUSTOMER TERMINATION | | | |
|----------------------|--------------------------------------|----------------|---------------|
| LOCATION | CONNECTION TYPE | HOLE SIZE | HOLE QTY |
| PRIMARY BUS BARS | STANDARD BUS BAR (LUGS ARE OPTIONAL) | .40 [10.2] DIA | 1 PER BUS BAR |
| SECONDARY BUS BARS | | | |

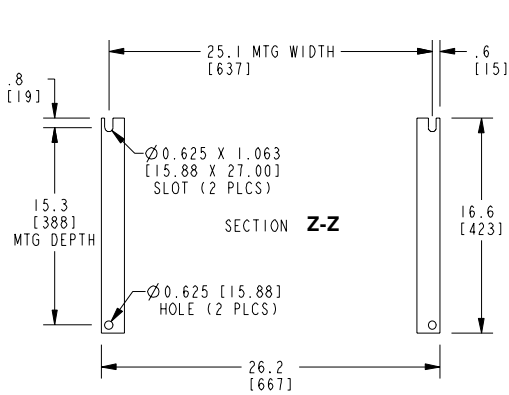
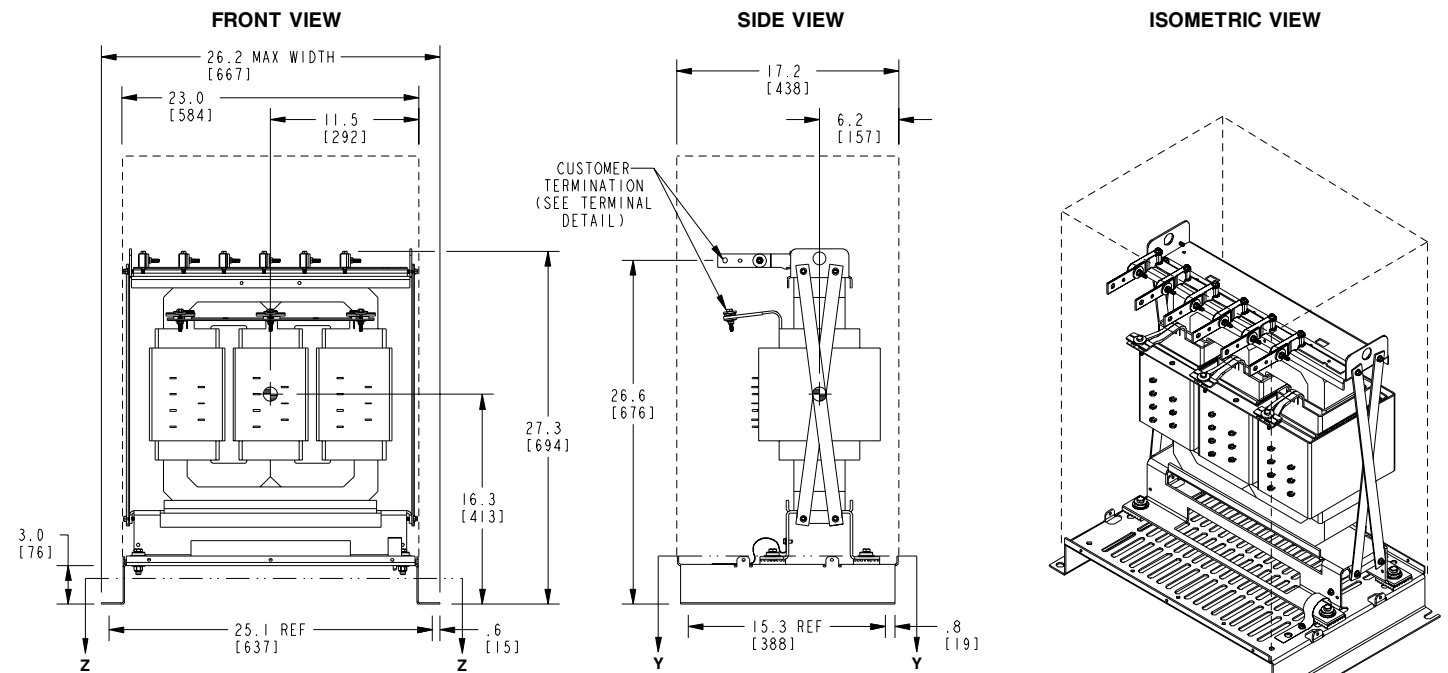
APPROX TOTAL WEIGHT LBS [KG]
PAINTED: 480 [217]
STAINLESS STEEL: 500 [226]

kVA RATING:
K-FACTOR:
PRI VOLTAGE:
SEC VOLTAGE:
FREQ (Hz):
TEMP RISE:
WINDING MATL:
ES SHIELD:
SOUND LVL (dB):

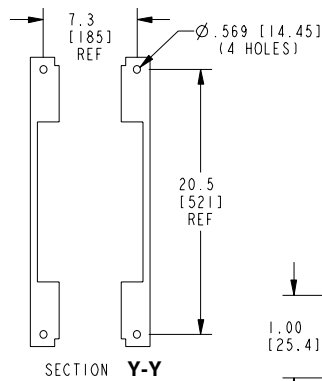
NOTES:

- 1) ALL UNITS ARE UL LISTED AND ARE DESIGNED PER NEMA ST-20 STANDARDS.
- 2) THE TEMPERATURE RISE LISTED WAS DETERMINED WHEN THE TRANSFORMER WAS MOUNTED IN A STANDARD NEMA-2 ENCLOSURE.
- 3) TRANSFORMER IS DESIGNED FOR FLOOR MOUNTING. OPTIONAL WALL MOUNTING BRACKETS ARE AVAILABLE.
- 4) TRANSFORMER IS DRY TYPE, CLASS AA, WITH VENTILATED ENCLOSURE FOR INDOOR USE. OPTIONAL RAIN SHIELD KITS ARE AVAILABLE TO ADAPT UNIT FOR TYPE 3R OUTDOOR USE WITHOUT VOIDING THE WARRANTY.
- 5) APPLICABLE WHEN OPTIONAL RAIN SHIELDS ARE INSTALLED. RAIN SHIELDS ARE SHIPPED IN KITS FOR FIELD INSTALLATION.
- 6) CABLE ENTRANCE IS PERMITTED THROUGH THE LEFT SIDE, RIGHT SIDE AND/OR BOTTOM ENTRANCE ONLY. CABLE ENTRANCE IS NOT PERMITTED THROUGH THE FRONT, REAR OR TOP PANELS.
- 7) FOR LIFTING OTHER THAN WITH A FORK TRUCK, REMOVE TOP COVER AND USE 1" [25 MM] DIAMETER HOLES IN THE TOP CORE CLAMPS.
- 8) ENCLOSURE PAINT COLOR IS ANSI #61 GRAY. OPTIONAL STAINLESS STEEL ENCLOSURE IS AVAILABLE. FINISH IS #80 GRIT.
- 9) 6" [152 MM] MINIMUM CLEARANCE IS REQUIRED FROM ALL WALLS.
- 10) USE THIS DIMENSION WHEN PLANNING THE MOUNTING PAD.

| | | | |
|--|---|------------|--------------|
| JOB NAME: | UNLESS OTHERWISE SPECIFIED ALL DIMENSIONS ARE INCH [MM] | ABB | |
| | THIRD ANGLE PROJECTION | | |
| electrification.us.abb.com | SHEET 1 OF 2 | CATALOG # | REV 2 |
| CAD DRAWING: 303B111GEUXP73C | | | |



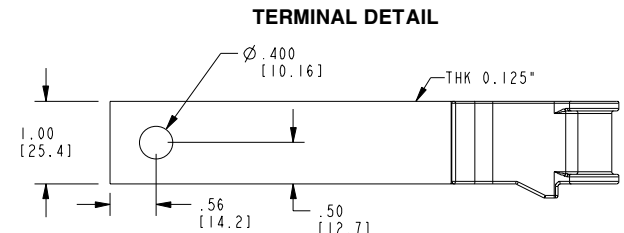
BOTTOM VIEW OF MOUNTING HOLE PATTERN



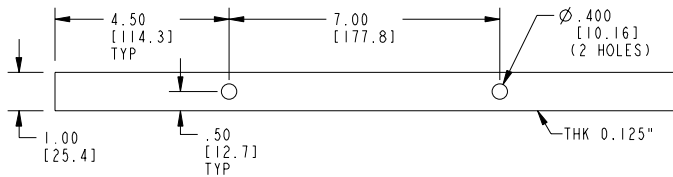
BOTTOM VIEW OF MOUNTING HOLE PATTERN WITHOUT BASE ATTACHED

APPROX TOTAL WEIGHT LBS [KG]
PAINTED: 430 [104]

kVA RATING:
K-FACTOR:
PRI VOLTAGE:
SEC VOLTAGE:
FREQ (Hz):
TEMP RISE:
WINDING MATL:
ES SHIELD:
SOUND LVL (dB):



X's & H's TERMINAL



CONNECTION TYPE: STANDARD BUS BAR (LUGS ARE OPTIONAL).

NOTES:

- 1) ALL UNITS ARE UL LISTED AND ARE DESIGNED PER NEMA ST-20 STANDARDS.
- 2) THE TEMPERATURE RISE LISTED WAS DETERMINED WHEN THE TRANSFORMER WAS MOUNTED IN A STANDARD NEMA-2 ENCLOSURE.
- 3) TRANSFORMER IS DRY TYPE, CLASS AA FOR INDOOR USE.
- 4) FOR LIFTING OTHER THAN WITH A FORK TRUCK, USE 1" [25 MM] DIAMETER HOLES IN THE TOP CORE CLAMPS.
- 5) BASE PAINT COLOR IS ANSI #61 GRAY.
- 6) 6" [152 MM] MINIMUM CLEARANCE IS REQUIRED FROM ALL WALLS.
- 7) ⊕ INDICATES APPROXIMATE CENTER OF GRAVITY.

| | | | |
|--|---|------------|--------------|
| JOB NAME: | UNLESS OTHERWISE SPECIFIED ALL DIMENSIONS ARE INCH [MM] | ABB | |
| | THIRD ANGLE PROJECTION | | |
| electrification.us.abb.com | SHEET 2 OF 2 | CATALOG # | REV 2 |
| CAD DRAWING: 303B111GEUXP73C | | | |