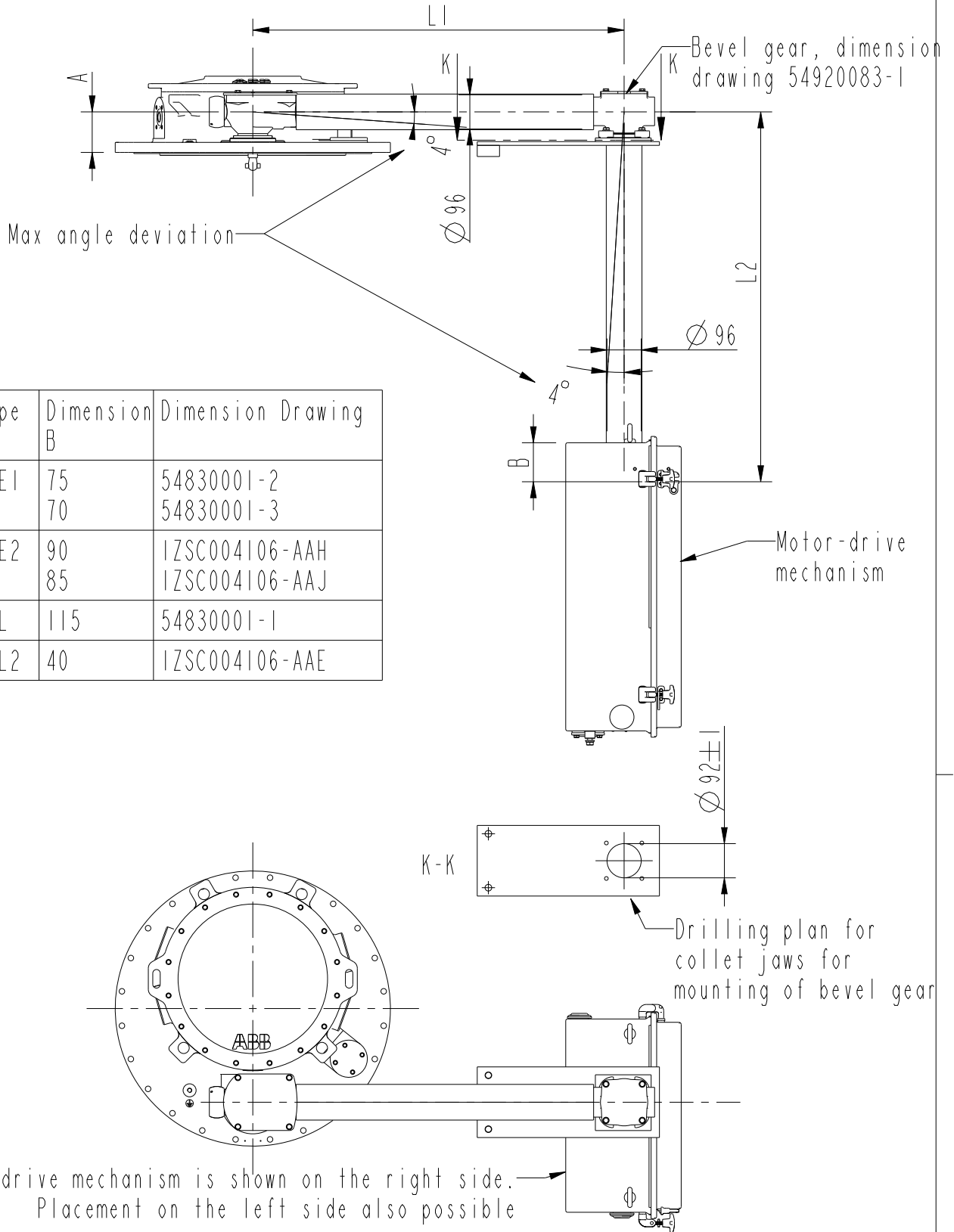


For A, LI-L4, See main dimension drawing for ordered OLTC

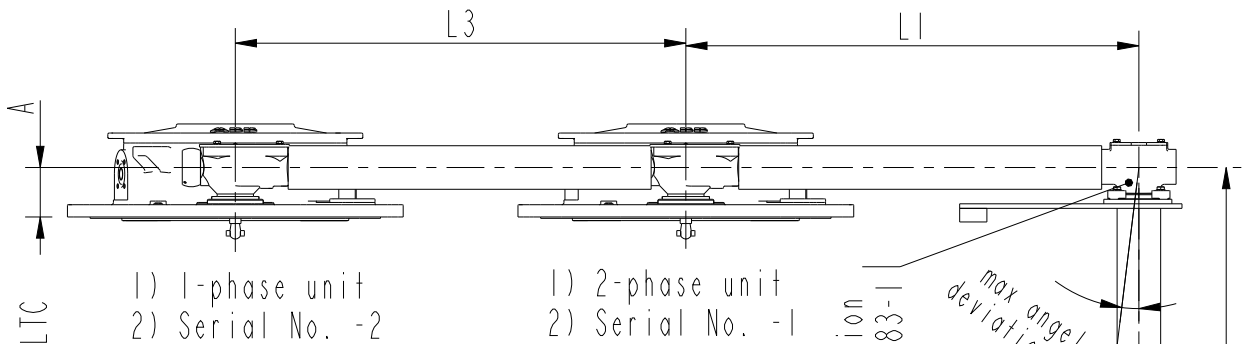
Type	Dimension B	Dimension Drawing
BUE1	75	54830001-2
	70	54830001-3
BUE2	90	IZSC004106-AAH
	85	IZSC004106-AAJ
BUL	115	54830001-1
BUL2	40	IZSC004106-AAE



For UCG.N, UCL.N, UCL.E, UCD.N, UCD.E, UCD.E, UCC.N and UCC.E

Prepared	Fredrik Larsson	2016-12-21	Responsible department	PGCO/TK	Title	External shaft system			
Modified by	Fredrik Larsson	2017-01-09	Take over department					Language	82
Approved by	Jan Einarsson	2017-01-09	Used in product					Sheet no.	1
Revision	B	BUE2 Dim B was 75, 70. Dim dwg was 54830001-2, -3			Order		Sheet no.	1	
					Document no.	54920083-4	No. Shts.	(3)	

For A, LI-L4, Se main dimension drawing for ordered OLTC



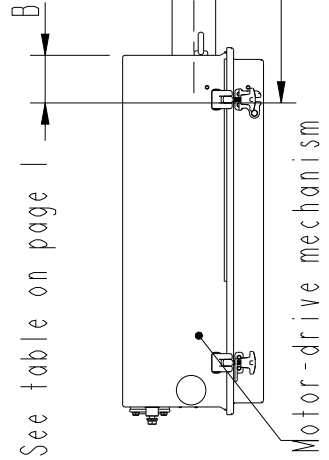
1) 1-phase unit
2) Serial No. -2

1) 2-phase unit
2) Serial No. -1

1) These units can change place
2) -1 always closest to the MD

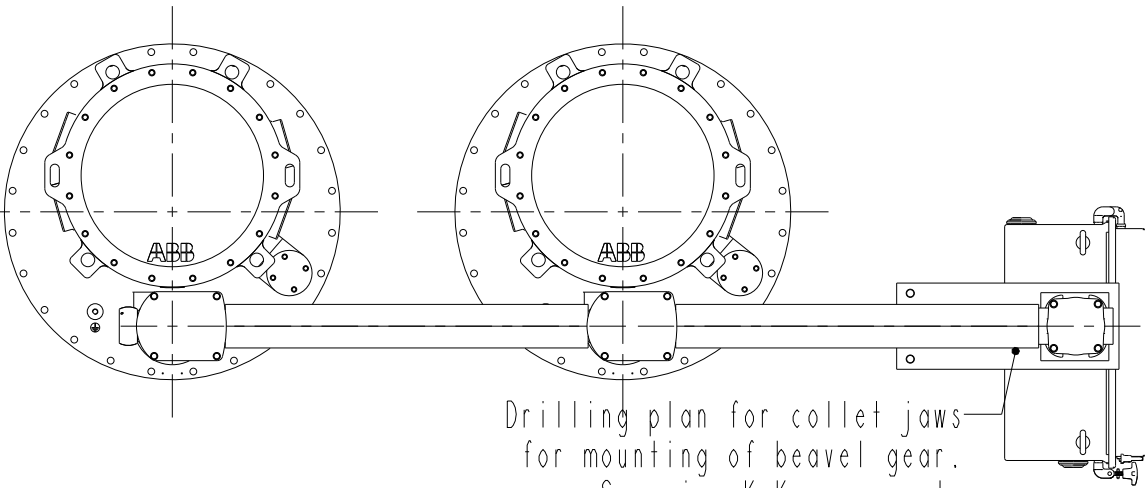
Bevel gear, dimension drawing 54920083-1

max angle deviation 4°



See table on page 1

The shown configuration is our std. Opposit location on request.



Drilling plan for collet jaws for mounting of bevel gear. See view K-K on page 1.

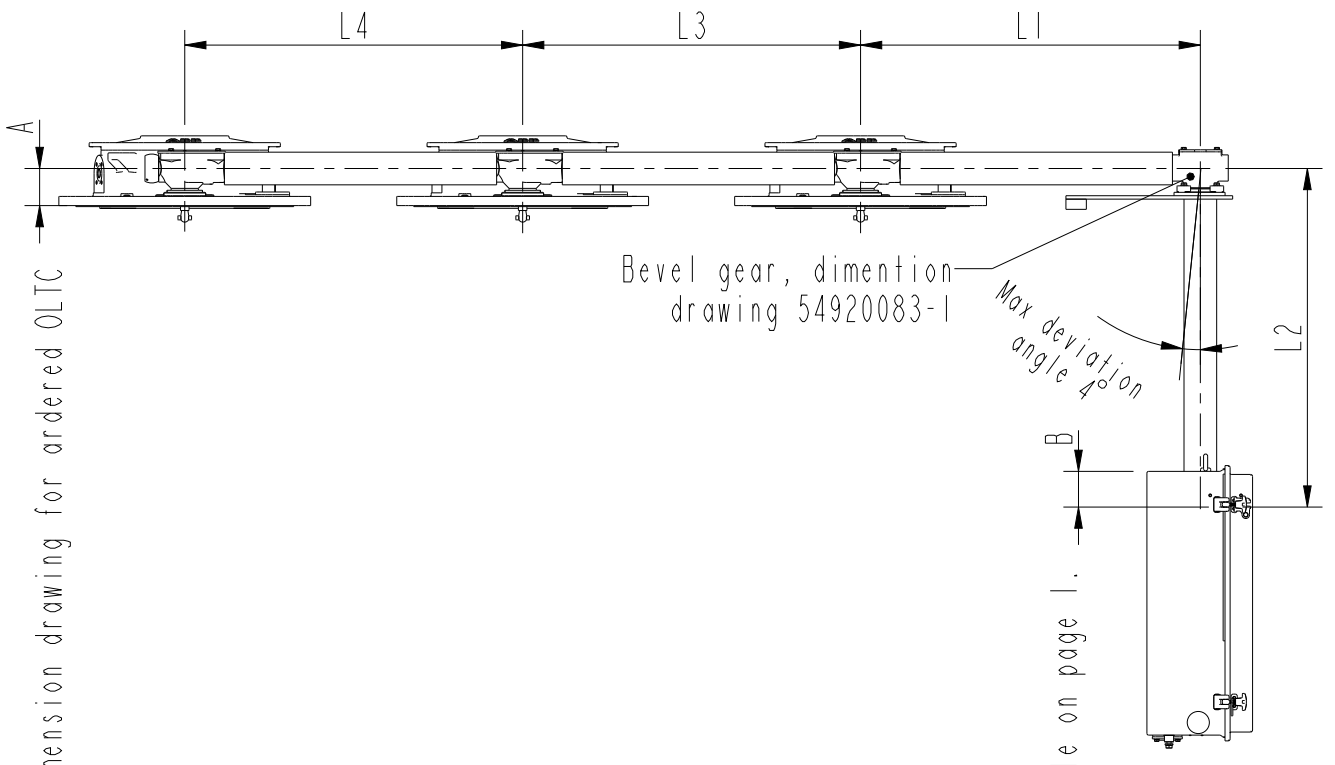
Motor- drive mechanism is shown on the right side. Placement on the left side is also possible.

For. UCG.B and UCL.B

Prepared	Fredrik Larsson	2016-12-21	Responsible department	PGCO/TK	Title	External shaft system	Language	82
Modified by	Fredrik Larsson	2017-01-09	Take over department					
Approved by	Jan Einarsson	2017-01-09	Used in product					
Revision	B	BUE2 Dim B was 75, 70. Dim dwg was 54830001-2, -3			Order		Sheet no.	2
ABB					Document no.	54920083-4	No. Shs.	(3)

This document is issued by means of a computerized system. The digitally stored original is electronically approved. The approved document has a date entered in the 'Approved'-field. A manual signature is not required.

For A, LI-L4, See main dimension drawing for ordered OLTC

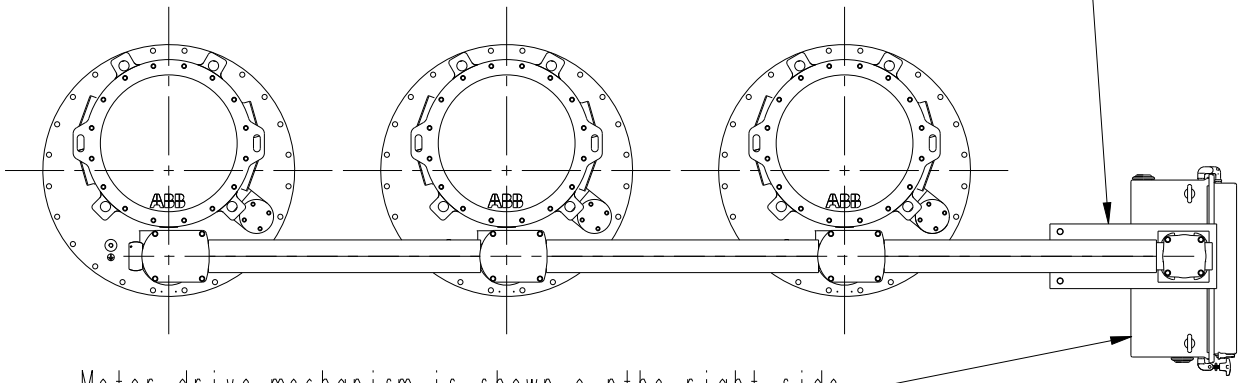


Bevel gear, dimension drawing 54920083-1

Max deviation angle 4°

See table on page 1.

Drilling plan for collet jaws for mounting of bevel gear. See view K-K on page 1.



Motor-drive mechanism is shown on the right side. Placement on the left side is also possible.

For UCG.T, UCGYD, UCL.T and UCLYD

The information contained in this document has to be kept strictly confidential. Any unauthorized use, reproduction, distribution or disclosure to third parties are strictly forbidden. ABB reserves all rights regarding Intellectual Property Rights. © Copyright 2013 ABB. All rights reserved.

Prepared	Fredrik Larsson	2016-12-21	Responsible department	PGCO/TK	External shaft system		
Modified by	Fredrik Larsson	2017-01-09	Take over department				Language
Approved by	Jan Einarsson	2017-01-09	Used in product				82
Revision	B	BUE2 Dim B was 75, 70. Dim dwg was 54830001-2, -3			Order	Sheet no.	
					Document no.	3	
					54920083-4	No. Shts.	
						(3)	