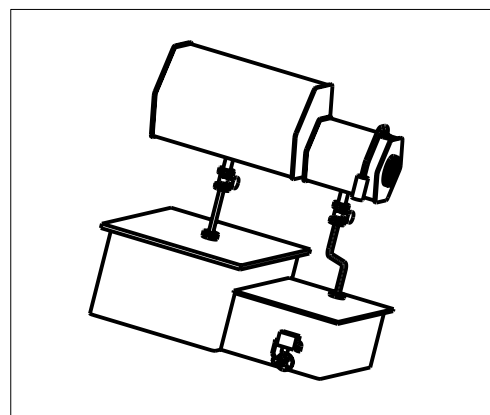
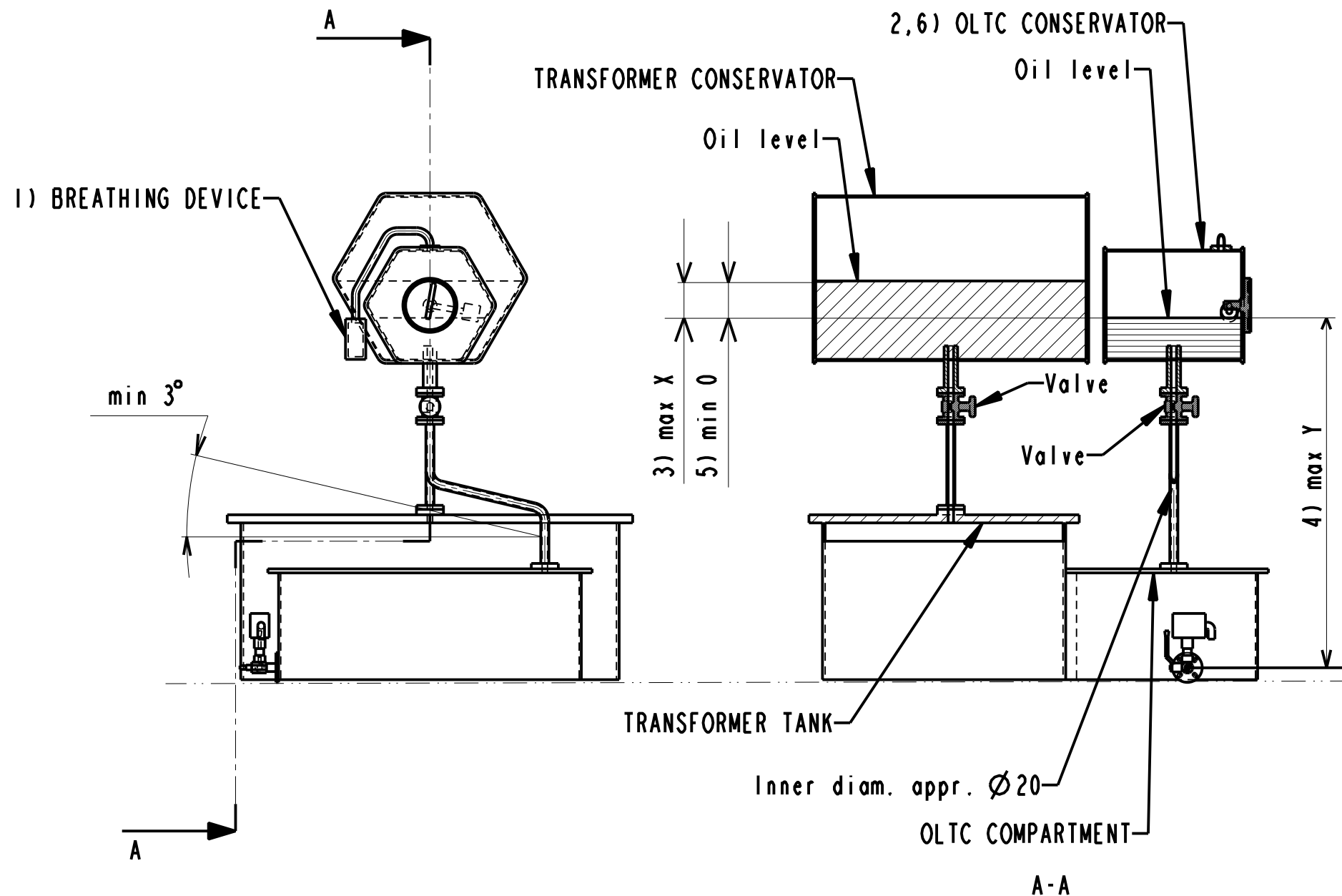


We reserve all rights in this document and in the information contained therein. Reproduction, use or disclosure to third parties without express authority is strictly forbidden. © ABB



- 1) The breathing device should prevent moisture from getting into the OLTC compartment and let gases from the arcings out.
  - 2) The oil volume should be such that the oil level always is within the range of the oil level indicator at all predictable temperatures.
  - 3) X corresponds to a height giving a max pressure difference between the OLTC tank and the transformer tank of 25 kPa. (70 kPa with reinforced barrier.)
  - 4) Y corresponds to a height giving a max pressure difference between the OLTC and the atmosphere of 35 kPa. (70 kPa when stated at order.)
  - 5) The oil level for the OLTC should be equal or below the oil level for the transformer. Temporary during service the value is allowed to be negative.
  - 6) Vacuum proof conservator if the OLTC should be oil filled under vacuum with the conservator mounted.
- N o t e**
- Separate oil conservators for the transformer and the OLTC are recommended. Both oil and air side should be separated. For transformers with common conservator for both the transformer and the OLTC a filter should be mounted in the pipe from the OLTC to the conservator.

Based on	Reg. No.	Title	Language
Prepared G Forsberg 97-03-20	Responsible department COM/TK		
Approved A Bergkvist	Take over department	Page 1(1)	
Revision Rev 2 03-12-05	Database		Document No.

**ABB**