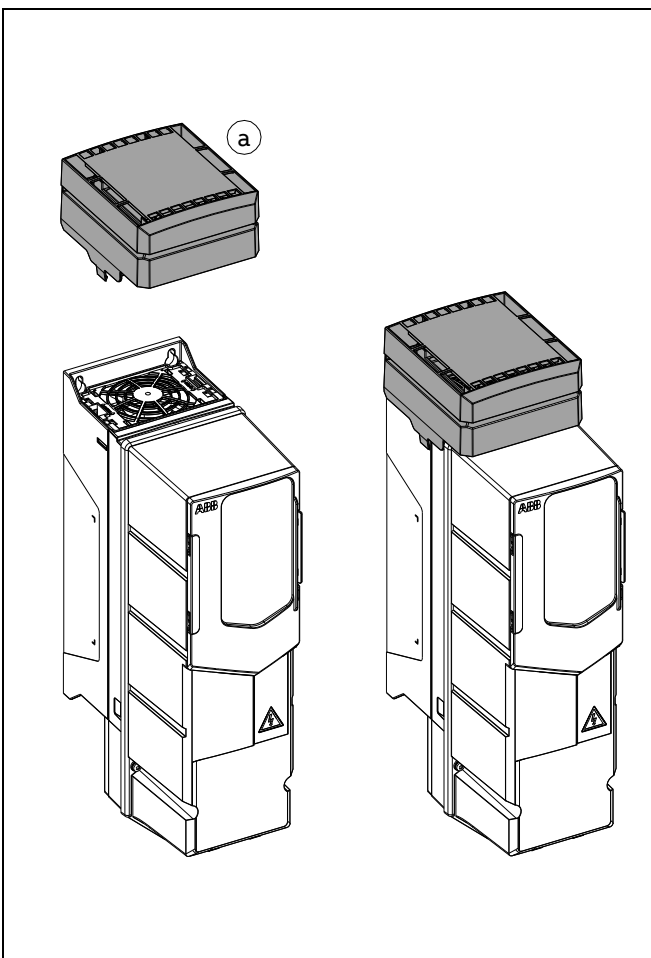


UL Type 12 hood for ACS580-01, ACH580-01 and ACQ580-01, and for ACH580-31 and ACQ580-31 frames R6 and R8

Installation instructions

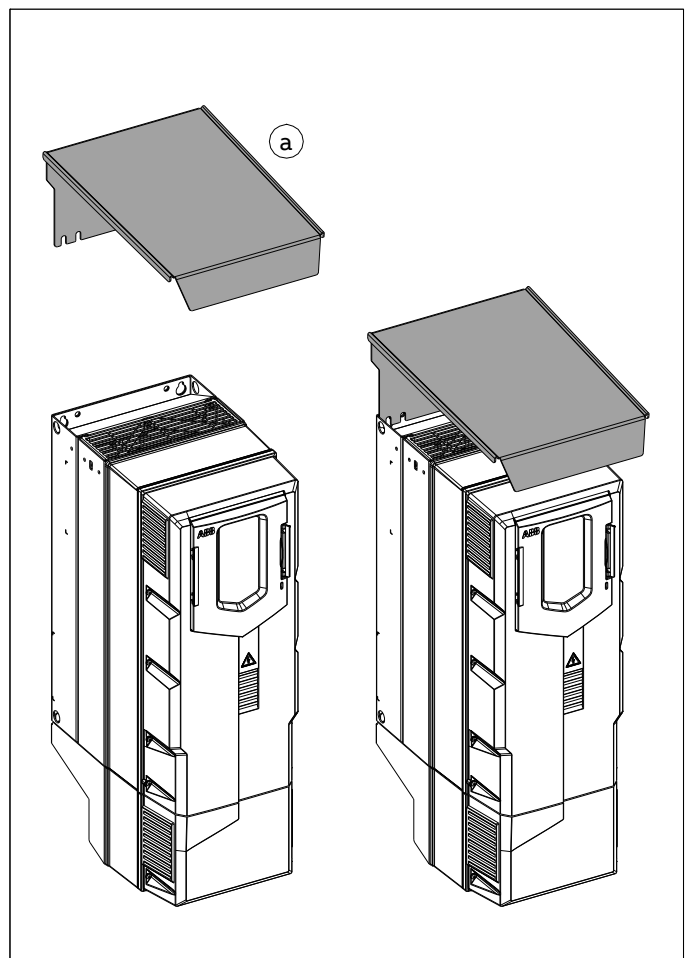
Frame sizes R1...R3:

1. Push the hood plate (a) on the drive until you hear a click.



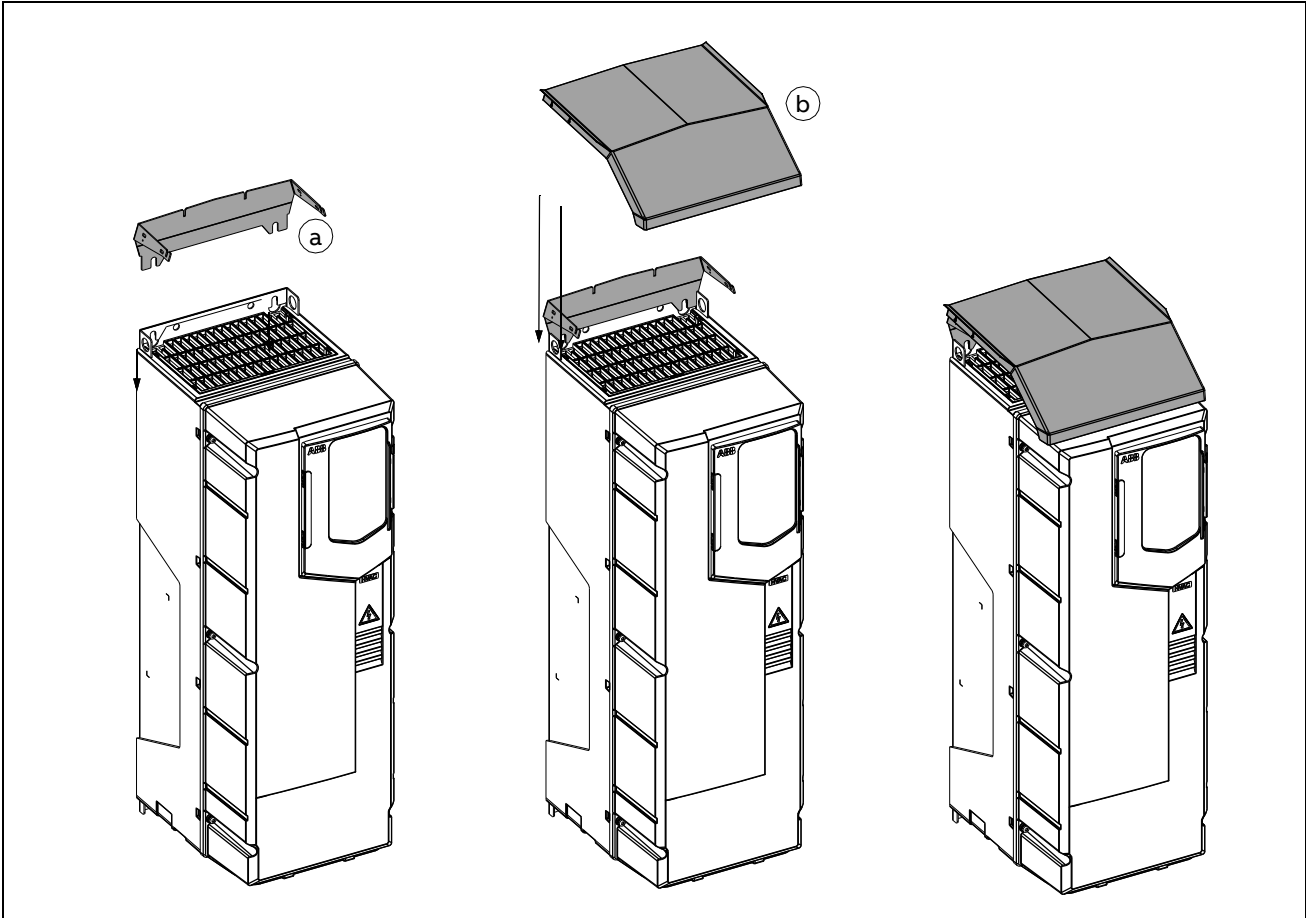
Frame sizes R6...R9:

1. If necessary, loosen the mounting screws.
2. Put the hood plate (a) on the drive.
3. Tighten the drive mounting screws to attach the hood plate.



Frame sizes R4...R5:

1. If necessary, loosen the mounting screws.
2. Put the fastener plate (a) on the drive.
3. Tighten the drive mounting screws.
4. Put the hood plate (b) on the fastener plate.



Frame size	Hood ordering code
R1...R2	3AXD50000184873
R3	3AXD50000184880
R4	3AXD50000018454
R5	3AXD50000018455
R6	3AXD50000004560
R7	3AXD50000004581
R8	3AXD50000004582
R9	3AXD50000004583

