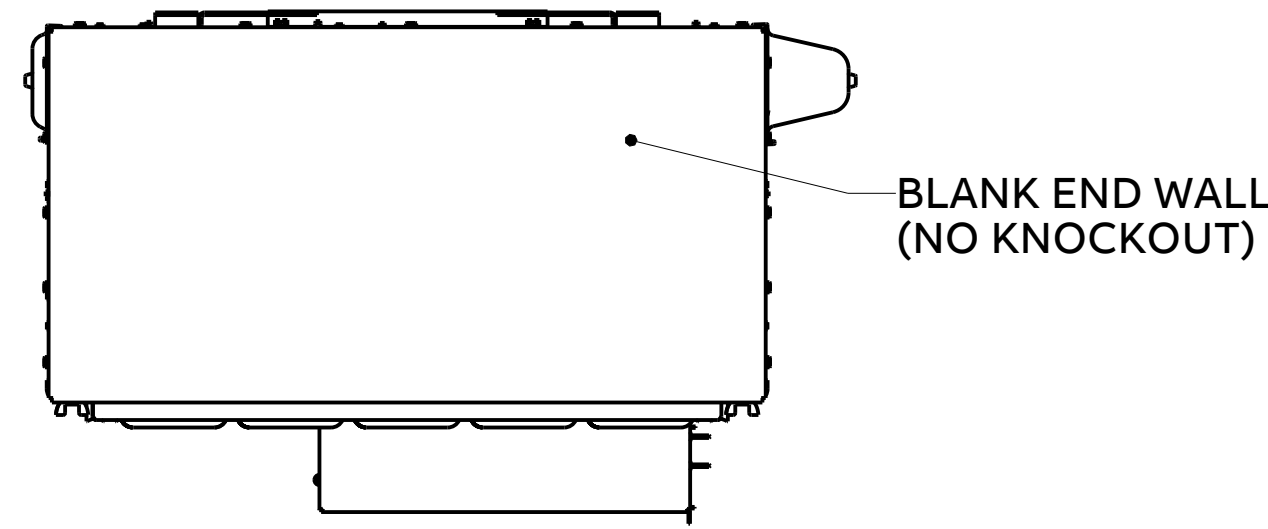
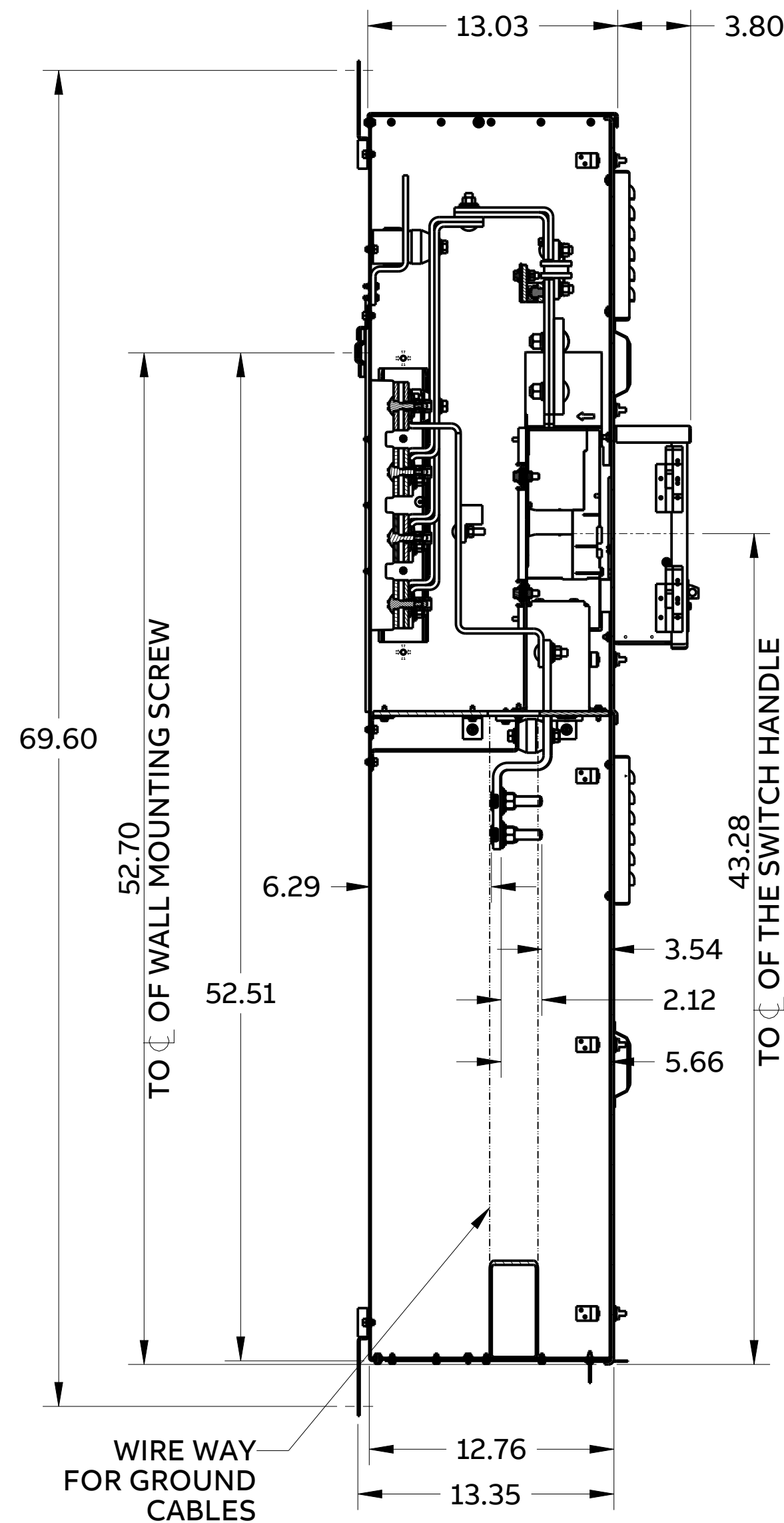


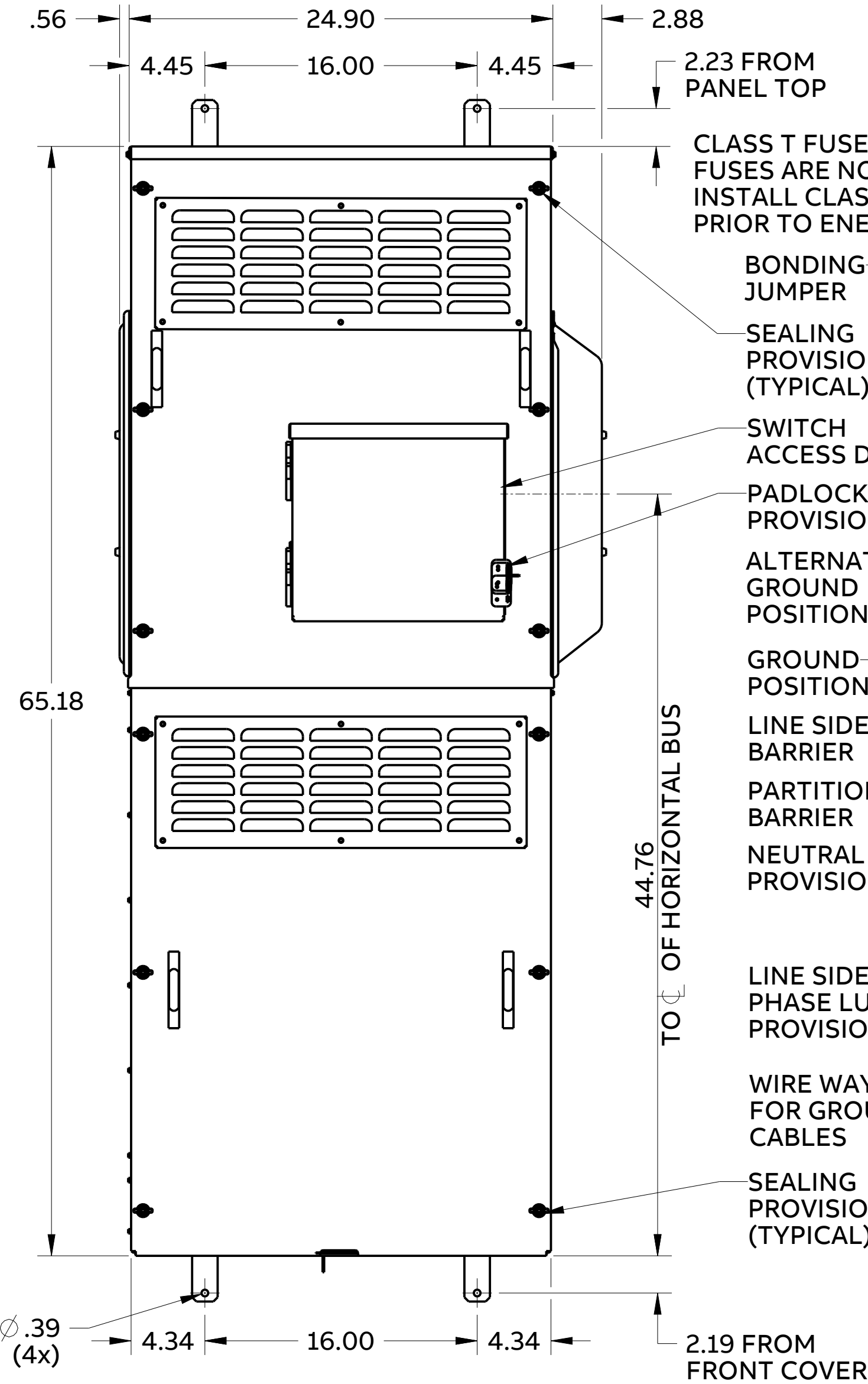
### TOP VIEW



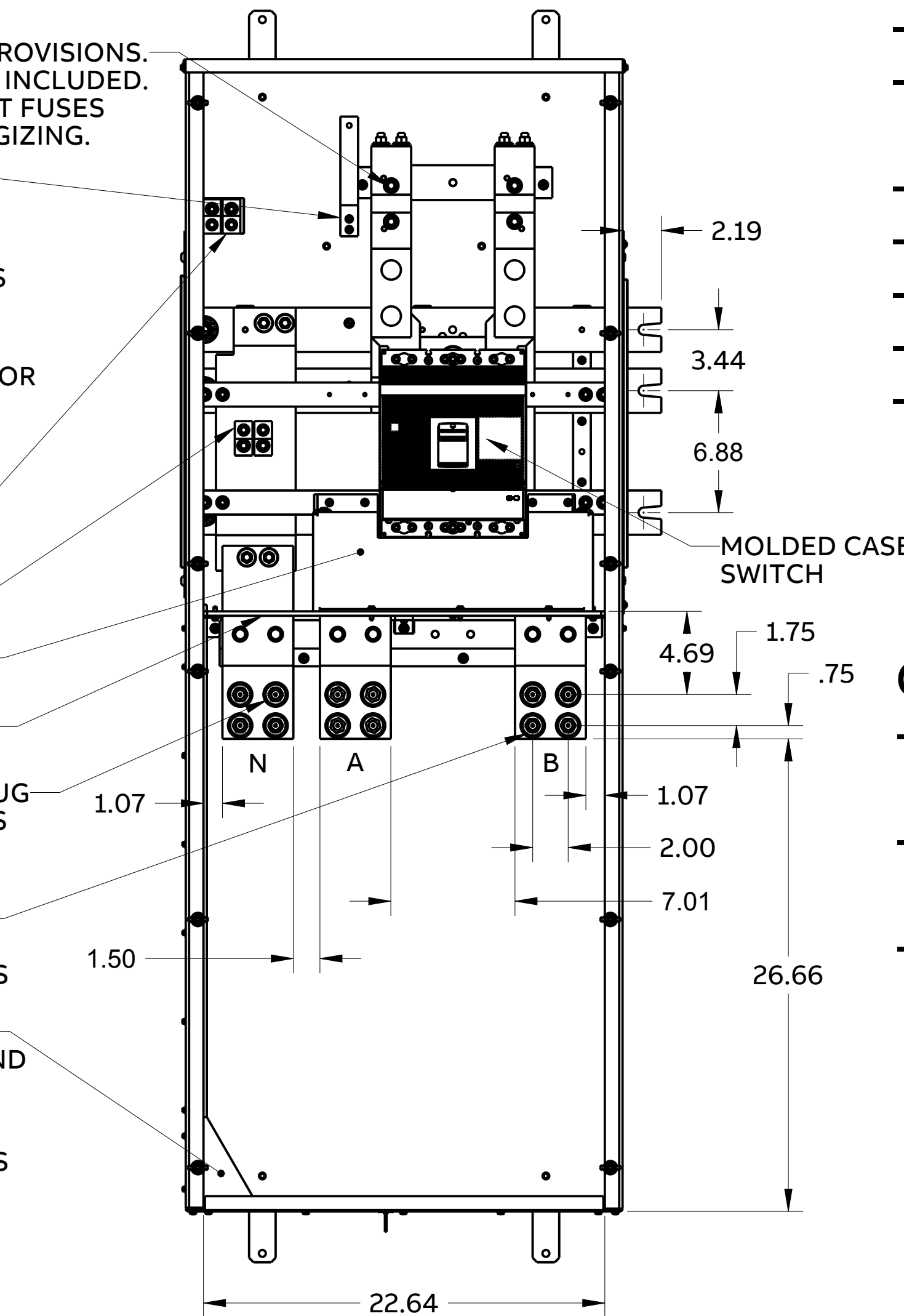
### SECTIONAL SIDE VIEW



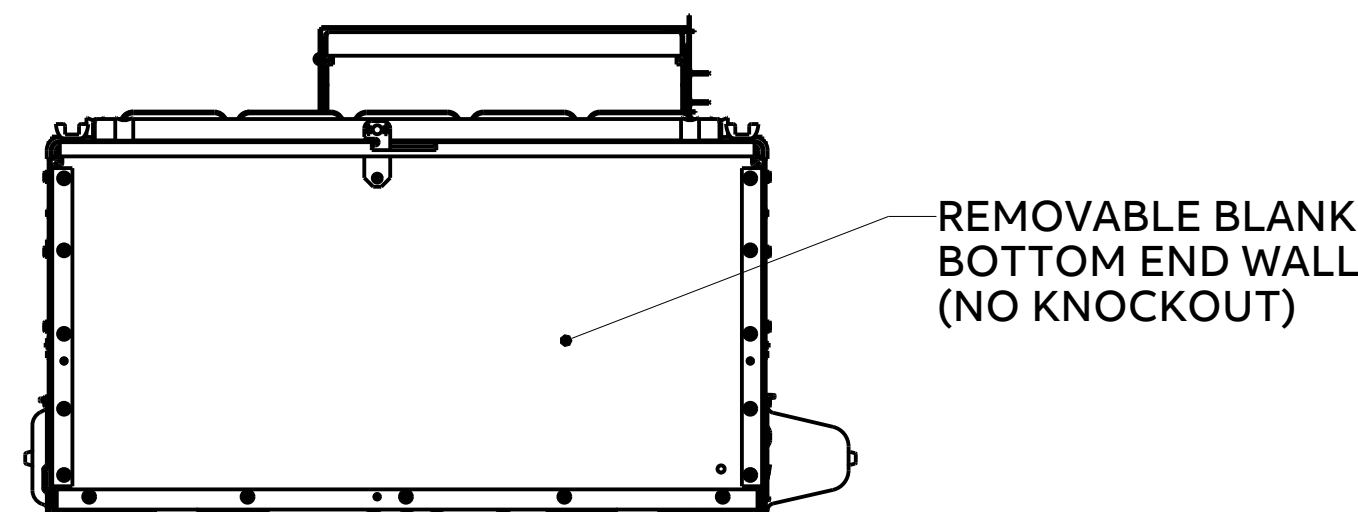
### FRONT VIEW



### FRONT VIEW (WITH OUT FRONT COVERS)



### BOTTOM VIEW



#### Specification:

- Phase: 1-Phase 3-Wire
- Voltage: 120/240V
- Amperage: 600A
- Switch Frame: XT6S-D
- Fuse Provision Type: Class T, 300V Max (Fuses not included)
- SCCR: 100kA with Fuse Installed (Class T)
- Incoming Feed: Bottom Only
- Enclosure: N3R Outdoor
- Estimated Weight: 310 lbs
- Meets EUSERC Requirements, EUSERC Drawing Reference 315, 343, 347

#### Conductor Range:

- Phase lugs and neutral lugs not included, Landing Pad only.
- Landing Pad has provision for double hole lugs up to (2) 750kcmil Cu/Al.
- Ground Lugs: (2) #6-350 kcmil Cu/Al.

<b>ABB</b>		<b>ReliaMod™</b>	
<b>600A MAIN FUSIBLE SWITCH</b>			
<b>100kA 1PH 3W 120/240V N3R EUSERC</b>			
THIRD ANGLE	SHEET#	CATALOG NO.	DATE
	1 of 1	RMM1FE6RCLL	10-Aug-23
DIMENSIONS: INCH		REV	A