

NOTES:



WARNING!  
 USING A NON-FACTORY RS232 DATA CABLE  
 MAY RESULT IN DAMAGE AND  
 MAY VOID SYSTEM WARRANTY.

REVISIONS					
REV	ACTION	DRAWN	CHECKED	APPROVED	DATE
AG	D20729	KASTNER	KASTNER	BUSHNELL	07/09/06
AE	D17160	KASTNER	KASTNER	BUSHNELL	05/05/05
AF	D19174	KASTNER	KASTNER	BUSHNELL	06/06/15

ASSEMBLY/QUANTITY	ITEM NO.	PART NUMBER	DESCRIPTION	REF/ZONE DESIG MATERIAL	UNIT MEAS
	001				
DO NOT SCALE DRAWING	UNLESS OTHERWISE SPECIFIED DIMENSIONS ARE IN INCHES		PRODUCT LINE TOTALFLOW®	LEVEL 3	
<p>THIRD ANGLE PROJECTION</p>	TOLERANCES ARE:		DESIGN J. BUSHNELL	DATE 03/06	<p>TOTALFLOW Products</p>
	DECIMAL .XX ± --	ANGULAR ± --	DRAWN A. KASTNER	03/06/16	
	BREAK ALL SHARP CORNERS AND EDGES DIMENSIONS APPLY BEFORE FINISH		CHECKED A. KASTNER	03/06/16	WI
			APPROVED J. BUSHNELL	03/06/16	SCALE NONE SIZE B DOC TYPE WI DRAWING NO. 2101240 REV AG SHEET 1 OF 4

MDS RADIO  
RS232  
TRANSNET 900

MODEL  
ELEK PCBA  
  
TERM PCBA  
  
COMM  
OR  
I/O OPTION  
PCBA

6413/6414  
2015333-XXX  
2100204-XXX  
2102838-XXX  
XFC G4

1  
RS232 COMM  
MODULE

6413/6414  
2015333-XXX  
2100204-XXX  
2102838-XXX  
XFC G4

2  
RS232 COMM  
MODULE

6790  
2017245-XXX  
2015080-XXX  
  
2010232-XXX

6713/6714  
2015382-XXX  
  
1  
RS232 COMM  
MODULE OR  
RS232 PCBA  
EXCEPT EXPIO  
PCBA

6713/6714  
2015382-XXX  
  
2  
RS232 COMM  
MODULE

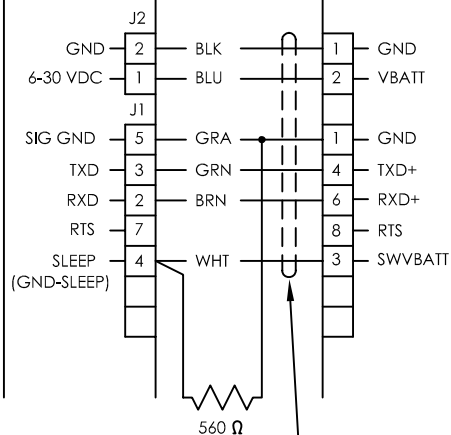
6713/6714  
2015382-XXX  
  
3  
RS232 COMM  
MODULE

6713/6714  
2015382-XXX  
  
1  
EXPIO PCBA  
(RS232)

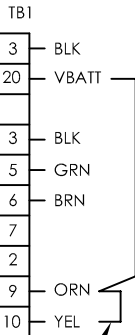
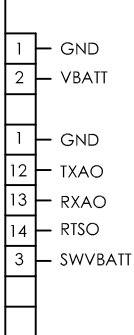
UFLO 6213  
2100835-XXX  
MEASUREMENT UNIT  
W/2100767-XXX PCBA  
  
2103082-XXX  
UFLO G4

RS232  
NO COMM  
MODULE

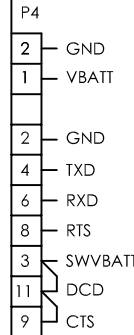
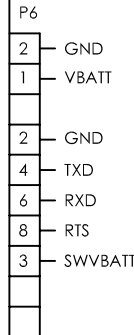
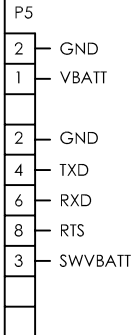
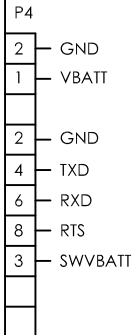
UFLO 6213  
RS232  
2100835-XXX  
W/(2100767-XXX) PCBA  
  
2103082-XXX  
UFLO G4  
  
2100888-002 OR  
2101059-002  
COMM MODULE



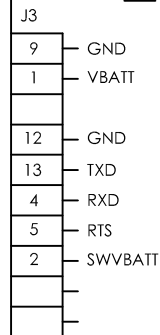
2101238-003



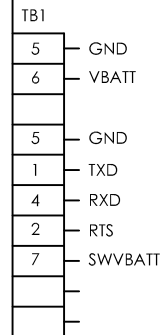
2011753-001  
JUMPER  
2 REQD



WARNING -  
SEE NOTE



USE CABLE NO.  
2101238-001



USE CABLE NO.  
2101238-003

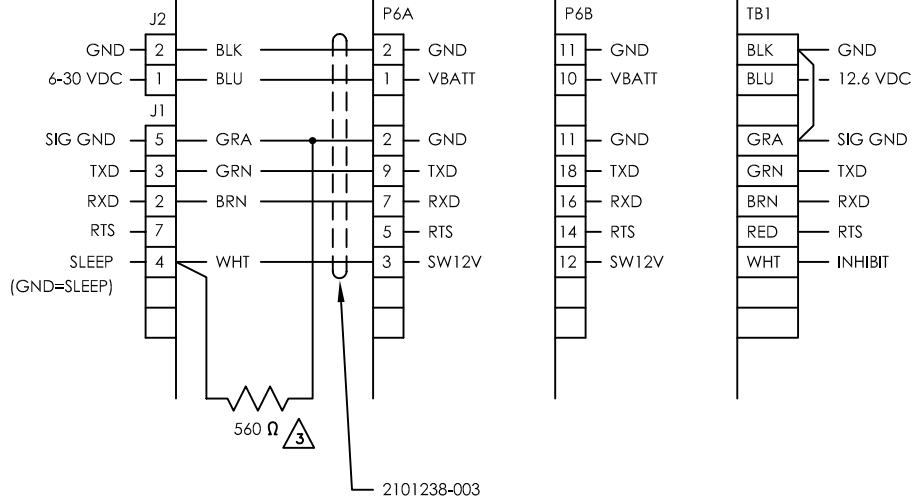
MDS RADIO  
RS232  
TRANSNET 900

MODEL  
  
ELEK PCBA  
  
TERM PCBA  
  
COMM  
OR  
I/O OPTION  
PCBA

6490/6890  
XRC6790  
2100355-XXX  
2103022-XXX  
XRC G4  
  
LMC7100  
2101210-XXX  
  
1  
RS232 COMM  
MODULE

6490/6890  
XRC6790  
2100355-XXX  
2103022-XXX  
XRC G4  
  
LMC7100  
2101210-XXX  
  
2  
RS232 COMM  
MODULE

6270/6470/6770  
O.E.U.  
  
2018339-001  
TERM PCBA



MDS RADIO  
RS485  
TRANSNET 900

MODEL  
ELEK PCBA  
  
TERM PCBA  
  
COMM  
OR  
I/O OPTION  
PCBA

UFLO 62XX  
2100767-XXX PCBA  
W/COMM TERM BD  
2103082-XXX  
UFLO G4  
  
1  
COMM TERM BD  
2100888-001 OR  
2101059-001

6413/6414  
XFC6713/14  
2015333-XXX  
2100204-XXX  
2103082-XXX  
UFLO G4

1  
RS485 COMM  
MODULE

6413/6414  
XFC6713/14  
2015333-XXX  
2100204-XXX  
2102838-XXX  
XFC G4

2  
RS485 COMM  
MODULE

6490/6890  
XRC6790  
2100355-XXX  
2103022-XXX  
XRC G4

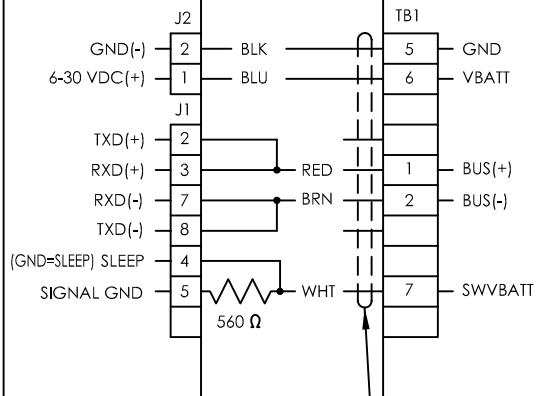
LMC7100  
2101210-XXX  
1  
RS485 COMM  
MODULE

6490/6890  
XRC6790  
2100355-XXX  
2103022-XXX  
XRC G4

LMC7100  
2101210-XXX  
2  
RS485 COMM  
MODULE

6270/6470/6770  
O.E.U.

2018339-001  
TERM PCBA



USE CABLE NO.  
2101238-002

