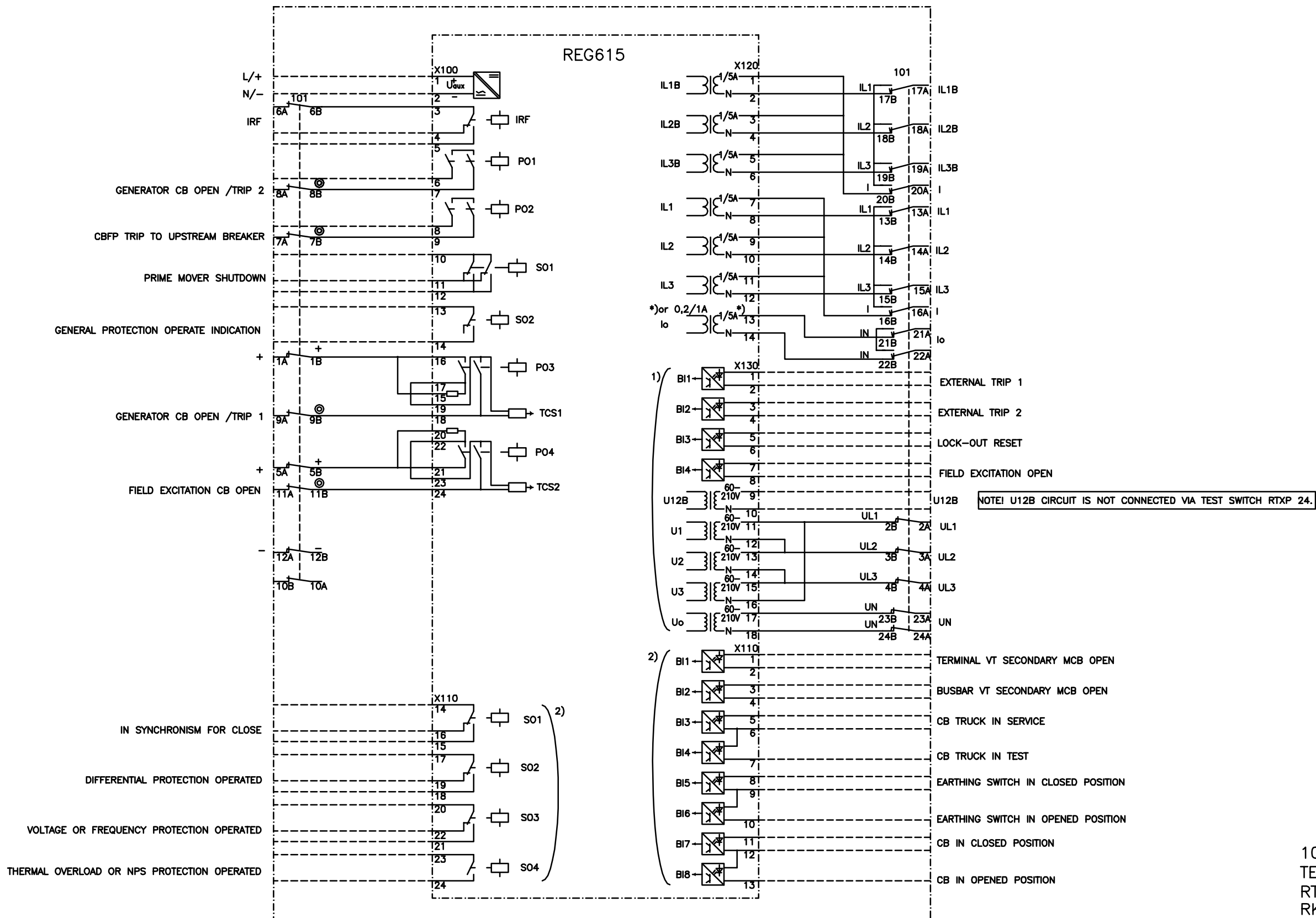


We reserve all rights in this document and in the information contained therein. Reproduction, use or disclosure to third parties without express authority is strictly forbidden. © ABB Oy.



- 1) AIM0006 (5U+4BI). Alternative module AIM0003 (5U+2RTD+1mA)
- 2) BIO0005 (8BI+4BO). Alternative module BIO0007 (8BI+3HSO)

TEKI PREPARED 11.02.2015 S.Björklund	LITTY CONCERNING	NIMITYS NAME TERMINAL DIAGRAM REG615 GENERATOR PROTECTION CONFIGURATION GE04 (D)
TARKASTI CHECKED Juhani Koivupuro	TOLERANSSIT TOLERANCES	
HYVÄKSY APPROVED Tuomo Rintamäki	SUHDE SCALE PROJ	LEHTI SHEET 1/2
ABB Technology Ltd.	OSASTO DEPT. RSG	PIIRUSTUS NO DRAWING NO 2RCA035298
		PAINOS REVISION A

MUUTOS REVISION
 C
 B