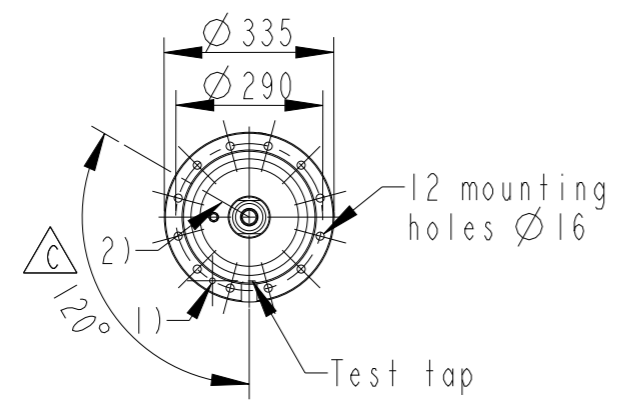
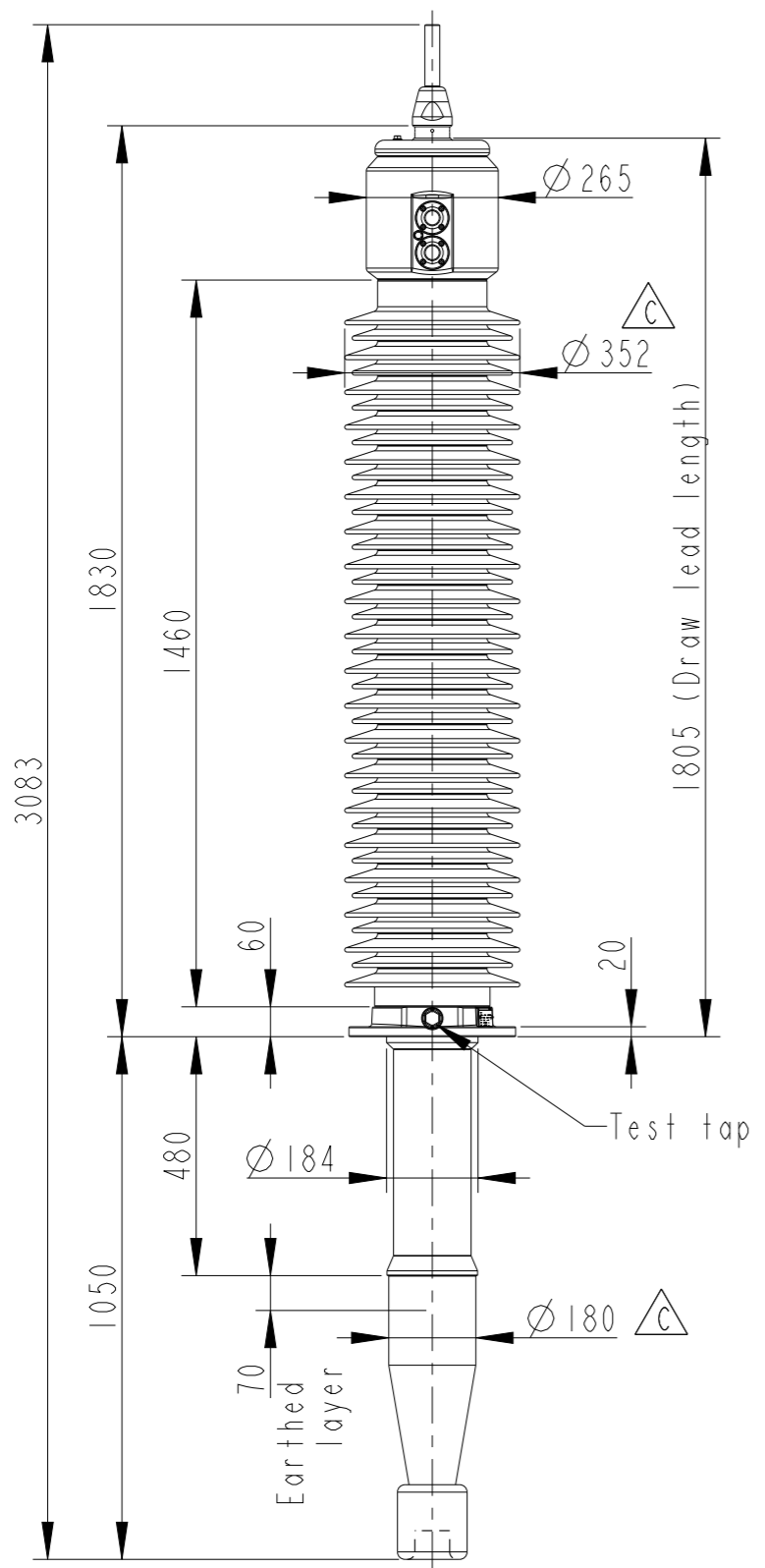
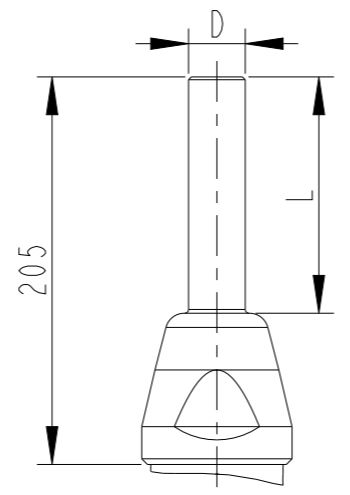


This document is issued by means of a computerized system. The digitally stored original is electronically approved. The approved document has a date entered in the "Approved"-field. A manual signature is not required.

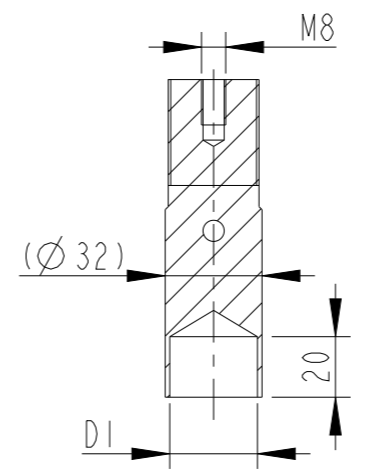
We reserve all rights in this document and in the information contained therein. Reproduction, use or disclosure to third parties without express authority is strictly forbidden.



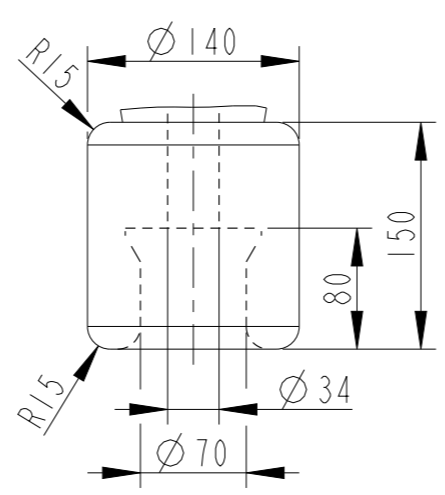
**OUTER TERMINAL**



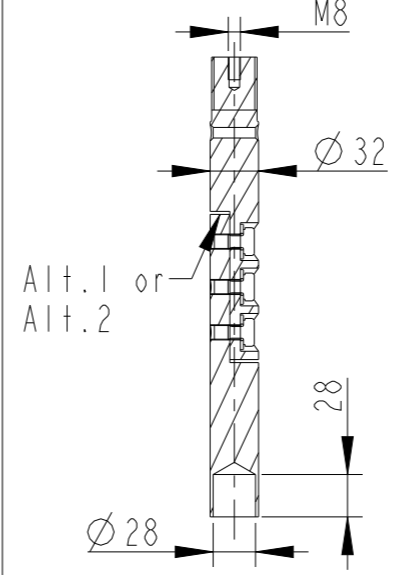
**INNER TERMINAL FOR STRANDED CABLE**



**END SHIELD**



**SOLID ROD CONNECTOR**



The solid rod can be divided either:  
 Alt.1: 20mm below the bushing flange or  
 Alt.2: 20mm below the upper end of the bottom porcelain

- △ 1) M12 (For Earthing)
- △ 2) Ø4 Oil connection hole (only valid for horizontal mounting)

Revision	Revision text
C	Bushing -HM & -HN added. Note, Bushing Data and Dimension updated.

**Bushing Data:**

Rated Voltage	170	kV
Phase-to-earth Voltage	△ 98	kV
Dry Lightning Impulse 1,2/50µs	750	kV
Wet power frequency AC	325	kV
Routine test 1 min dry 50Hz	365	kV
Rated Current	1250	A
Creepage Distance	△ 5420±140	mm
Creepage Distance Protected	2330	mm
Mass	△ 245	kg

**Ordering Data:**

BUSHING	COLOUR	AIR INSULATOR	
LF123106-M	BROWN		
LF123106-N	LIGHT GREY		
△ LF123106-HM	BROWN	Horizontal 45°-90°	
△ LF123106-HN	LIGHT GREY	Horizontal 45°-90°	
OUTER TERMINAL	Material	D	L
LF 170 002-B	Cu alloy,	Ø 30	125
LF 170 001-B	Al,	Ø 30	125

OTHER TYPES ON REQUEST

**INNER TERMINAL FOR STRANDED CABLE**

For brazing	Conductor area	D1
LF 170 011-T	up to 285mm²	Ø 29
LF 170 011-V	Undrilled with pilot hole	Ø 5

**SOLID ROD CONNECTOR**

	Material
LF 170 052 -AK for Alt.1	Cu
LF 170 052 -AL for Alt.2	Cu

Ludvika, Sweden			
No.	Um	Ir	A 50/60 Hz
○	BIL	kV SIL	kV AC
M	kg	L	mm
C1	pF	Tan δ	°
C2	pF	Tan δ	°

Approved 2021-11-24	Document Kind Dimension Drawing	Based on doc.id	Work order id	Project id
Company ABB Technology Ltd	Title, Supplementary title GOB 750-1250-0.5			
Responsible Department SEABB-9AAE300824	With oil level gauge. Long end shield.			
<b>ABB</b>	Document id 2751369-228	Status Approved	Revision C	Iteration 4
				Sheet 1/1