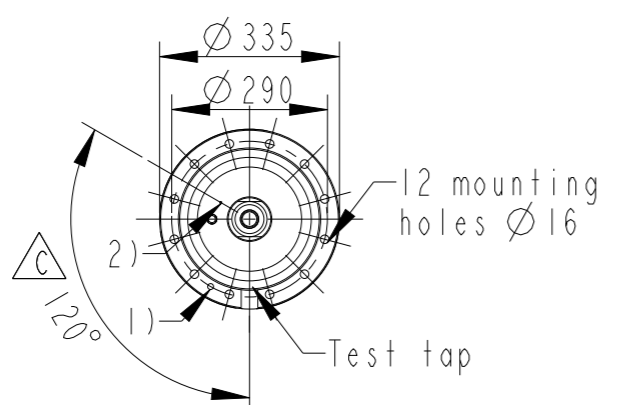
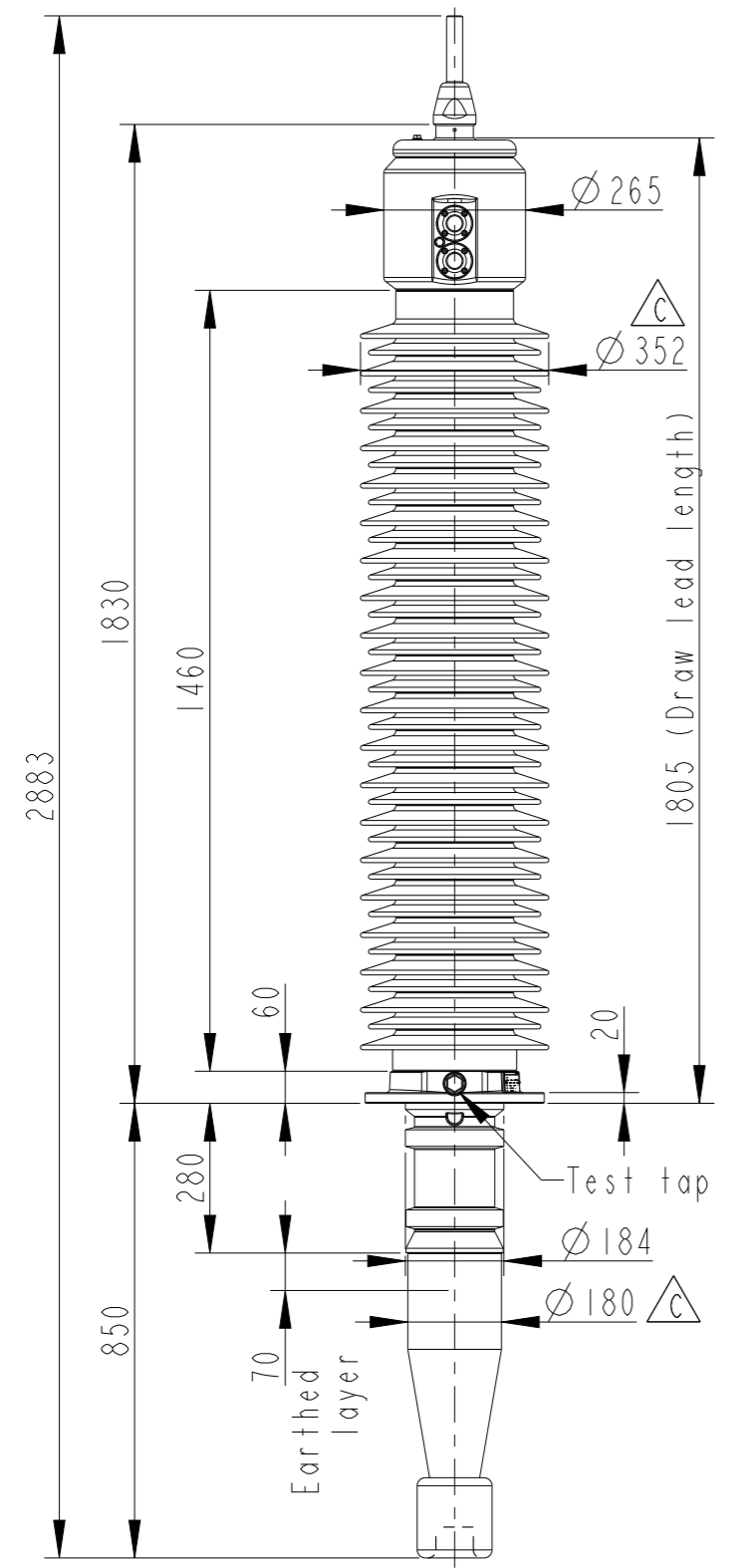
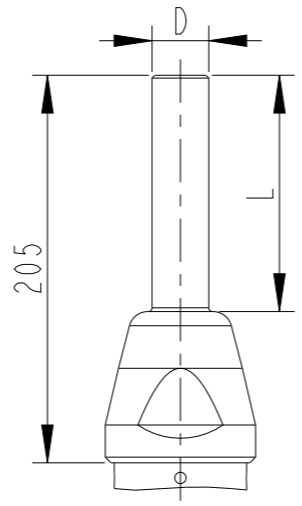


This document is issued by means of a computerized system. The digitally stored original is electronically approved. The approved document has a date entered in the "Approved"-field. A manual signature is not required.

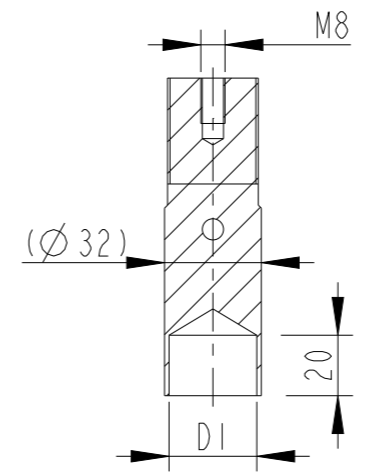
We reserve all rights in this document and in the information contained therein. Reproduction, use or disclosure to third parties without express authority is strictly forbidden.



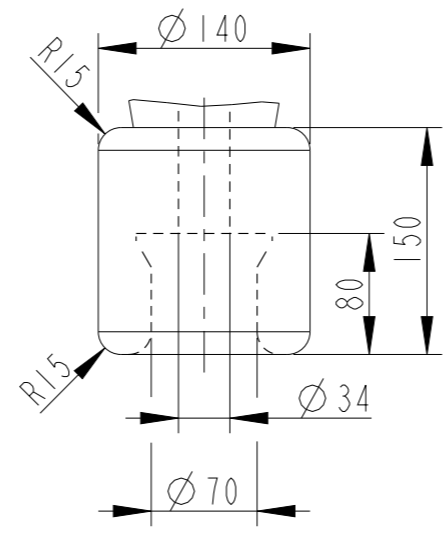
OUTER TERMINAL



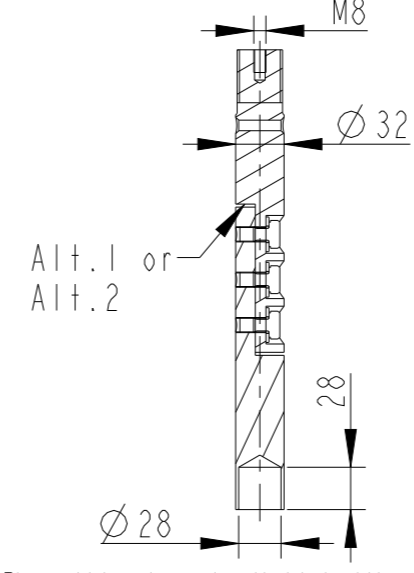
INNER TERMINAL FOR STRANDED CABLE



END SHIELD



SOLID ROD CONNECTOR



The solid rod can be divided either:
 Alt.1: 20mm below the bushing flange or
 Alt.2: 20mm below the upper end of the bottom porcelain

- 1) M12 (For Earthing)
- 2) Ø 4 Oil connection hole (only valid for horizontal mounting)

Revision	Revision text
C	Bushing -HM & -HN added. Note, Bushing Data and Dimension updated.

Bushing Data:

Rated Voltage	170	kV
Phaseto-earth Voltage	98	kV
Dry Lightning Impulse I,2/50µs	750	kV
Wet power frequency AC	325	kV
Routine test Imin dry 50Hz	365	kV
Rated Current	1250	A
Creepage Distance	5420±140	mm
Creepage Distance Protected	2330	mm
Mass	242	kg

Ordering Data:

BUSHING	COLOUR	AIR INSULATOR
LF123105-M	BROWN	
LF123105-N	LIGHT GREY	
LF123105-HM	BROWN	Horizontal 45°-90°
LF123105-HN	LIGHT GREY	Horizontal 45°-90°

OUTER TERMINAL	Material	D	L
LF 170 002-B	Cu alloy,	Ø 30	125
LF 170 001-B	Al,	Ø 30	125

OTHER TYPES ON REQUEST

INNER TERMINAL FOR STRANDED CABLE

For brazing	Conductor area	D1
LF 170 011-T	up to 285mm ²	Ø 29
LF 170 011-V	Undrilled with pilot hole	Ø 5

SOLID ROD CONNECTOR

	Material
LF 170 052 -BA for Alt.1	Cu
LF 170 052 -BB for Alt.2	Cu

Ludvika, Sweden				
No.	Um	kV Ir	A	50/60 Hz
○	BIL	kV SIL	kV AC	kV
M	kg L	mm	✓	°
C1	pF	Tan δ	x	
C2	pF	Tan δ	x	

Approved 2021-11-12	Document Kind Dimension Drawing	Based on doc.id	Work order id	Project id
Company ABB Technology Ltd	Title, Supplementary title GOB 750-1250-0.3			
Responsible Department SEABB-9AAE300824	With oil level gauge. Long end shield.			
ABB	Document id 2751369-226	Status Released	Revision C	Iteration 1/1