

# Stanilite®

## Platinum Spitfire® LED weatherproof DALI non-maintained



| Catalogue no.        | Description  |
|----------------------|--|
| <b>DALI products</b> |  |
| SFBWPDA2LEDP         | Platinum Spitfire dual LED weatherproof surface mount DALI |
| <b>Spare parts</b>   |  |
| 03-01310P            | Battery LiFePO4 3.2V 3.2Ah                                 |

### Range

Platinum range

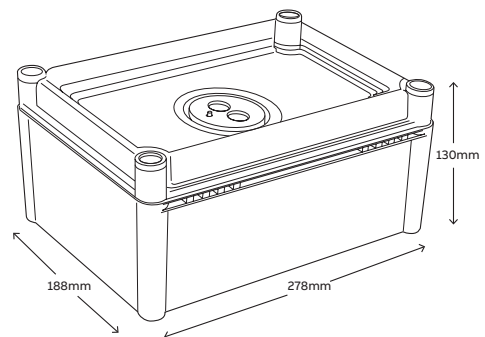
### Product group

Spitfire LED



### Features

- Superior photometric classification
- LED technology 100,000 hours plus lamp life
- Dual LED
- Low power consumption and LED light source for reduced operation and maintenance costs
- Polycarbonate IP67 weatherproof enclosure
- Advanced charging technology combined with Lithium iron phosphate battery for long life and low maintenance
- DALI lighting system
- Surface mount
- Low maintenance - ideal for car parks and coolrooms



| Dimensions             |                     |        |
|------------------------|---------------------|--------|
| Length                 | Width               | Height |
| 278mm                  | 188mm               | 130mm  |
| Weight                 |                     |        |
| Model                  | Weight              |        |
| DALI                   | 2.8kg               |        |
| Construction           |                     |        |
| Part                   | Construction        |        |
| Lamp head              | White polycarbonate |        |
| Weatherproof enclosure | Polycarbonate       |        |

| <b>Light source</b> |              |                     |  |
|---------------------|--------------|---------------------|--|
|                     | <b>Model</b> | <b>Light source</b> |  |
|                     | Dual LED     | 3W                  |  |

| <b>Power consumption</b> |              |                          |  |
|--------------------------|--------------|--------------------------|--|
|                          | <b>Model</b> | <b>Power consumption</b> |  |
|                          | DALI         | 1.0W                     |  |

Note: Preliminary results

| <b>Photometrics</b> |              |              |                       |
|---------------------|--------------|--------------|-----------------------|
|                     | <b>Model</b> | <b>Class</b> | <b>Classification</b> |
|                     | Dual LED     | C0           | D32                   |
|                     |              | C90          | D32                   |

Note:

- Designed to comply with AS2293 and meet relevant Australian EMC standards