

Earth bars

An efficient and convenient way of providing a common earth point



Features & benefits

- The plastic channel base is highly corrosion resistant, made from high impact uPVC unlike the traditional galvanized steel channel
- The use of a modern polymer channel base has reduced the weight of the products, making them lighter and easier to handle
- Pre-drilled fixing holes included for ease of installation
- A range of designs to meet most installation requirements
- The hard drawn, high conductivity copper earth bars are available in either bright copper or tin plated finish

Furse earth bars provide an efficient and convenient way of providing a common earth point, and integral disconnecting links allow easy isolation for testing purposes. Available in a variety of lengths, copper or tinned copper bar with M10 stainless steel termination fixings.

Application

Standard Furse earth bars are available in a variety of lengths, but all consist of a 50 mm wide by 6 mm thick copper or tinned copper bar with M10 stainless steel termination screws - standard product codes are provided.

Standard copper or tinned copper earth bars meet the majority of applications, however where a customer has a specific requirement, we can design and manufacture special earth bars and disconnecting links as appropriate. Special earth bar designs are provided for customer review and approval as required before manufacture.

Special earth bar design variables include:

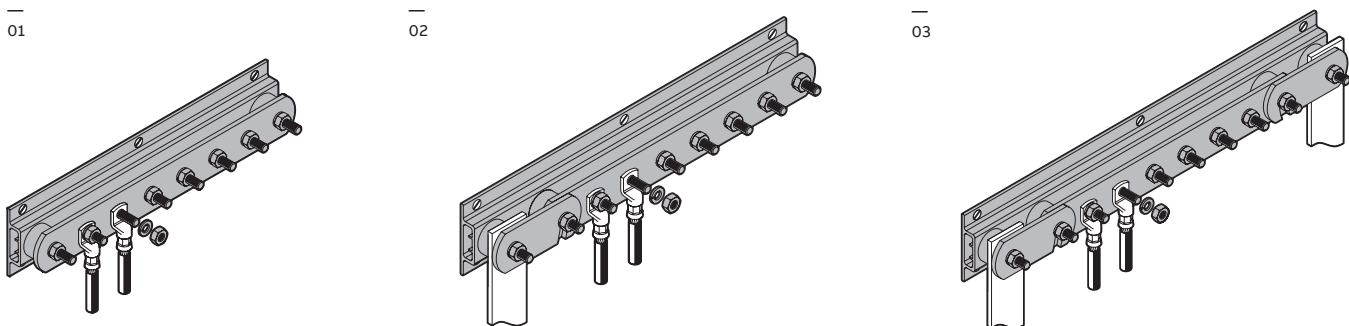
- Size and type of bolt, hex nut and washer
- Length, width and thickness of earth bar
- Number of disconnecting links, and their position
- Number of insulators
- Supplied with mounting base or without

Product information

| Part no. | ABB order code | Description | Length (mm) | Weight each (kg) | Certification/ standards |
|---|-----------------|-------------|-------------|------------------|--------------------------|
| Earth Bar with stainless steel fixings | | | | | |
| Copper earth bar | | | | | |
| LK245-6SS | 7TCA083670R1257 | 6 way | 400 | 1.80 | ● |
| LK245-8SS | 7TCA083670R1264 | 8 way | 500 | 2.20 | ● |
| LK245-10SS | 7TCA083670R1260 | 10 way | 650 | 2.80 | ● |
| LK245-12SS | 7TCA083670R1256 | 12 way | 750 | 3.20 | ● |
| Tinned copper earth bar | | | | | |
| LK245-6TSS | 7TCA083670R1279 | 6 way | 400 | 1.80 | ● |
| LK245-8TSS | 7TCA083670R1278 | 8 way | 500 | 2.20 | ● |
| LK245-10TSS | 7TCA083670R1277 | 10 way | 650 | 2.80 | ● |
| LK245-12TSS | 7TCA083670R1276 | 12 way | 750 | 3.20 | ● |
| Earth Bar with stainless steel fixings and single disconnecting link | | | | | |
| Copper earth bar | | | | | |
| LK243-6SS | 7TCA083670R1254 | 6 way | 475 | 2.30 | ● |
| LK243-8SS | 7TCA083670R1262 | 8 way | 575 | 2.70 | ● |
| LK243-10SS | 7TCA083670R1258 | 10 way | 725 | 3.30 | ● |
| LK243-12SS | 7TCA083670R1255 | 12 way | 825 | 3.70 | ● |
| Tinned copper earth bar | | | | | |
| LK243-6TSS | 7TCA083670R1275 | 6 way | 475 | 2.30 | ● |
| LK243-8TSS | 7TCA083670R1274 | 8 way | 575 | 2.70 | ● |
| LK243-10TSS | 7TCA083670R1273 | 10 way | 725 | 3.30 | ● |
| LK243-12TSS | 7TCA083670R1272 | 12 way | 825 | 3.70 | ● |
| Earth Bar with stainless steel fixings and twin disconnecting links | | | | | |
| Copper earth bar | | | | | |
| LK207-6SS | 7TCA083670R1263 | 6 way | 550 | 2.80 | ● |
| LK207-8SS | 7TCA083670R1265 | 8 way | 650 | 3.20 | ● |
| LK207-10SS | 7TCA083670R1259 | 10 way | 800 | 3.80 | ● |
| LK207-12SS | 7TCA083670R1261 | 12 way | 900 | 4.20 | ● |
| Tinned copper earth bar | | | | | |
| LK207-6TSS | 7TCA083670R1271 | 6 way | 550 | 2.80 | ● |
| LK207-8TSS | 7TCA083670R1270 | 8 way | 650 | 3.20 | ● |
| LK207-10TSS | 7TCA083670R1269 | 10 way | 800 | 3.80 | ● |
| LK207-12TSS | 7TCA083670R1268 | 12 way | 900 | 4.20 | ● |

Certification / Standards: ● BS 7430.
 Fix using countersunk wood screws 1½" No.12 (Part no. SW110) and wall plugs (Part no. PS310).
 Standard height 90 mm, standard depth 77 mm.
 Tightening torque 20 Nm.

Typical installation



01 - 6-way earth bar.
 02 - 6-way earth bar with single disconnecting link.
 03 - 6-way earth bar with twin disconnecting link.

ABB Limited
 Furse
 Wilford Road
 Nottingham
 NG2 1EB UK
 Tel: +44 (0) 115 964 3700

www.furse.com

We reserve the right to make technical changes or modify the contents of this document without prior notice. With regard to purchase orders, the agreed particulars shall prevail. ABB AG does not accept any responsibility whatsoever for potential errors or possible lack of information in this document.

We reserve all rights in this document and in the subject matter and illustrations contained therein. Any reproduction, disclosure to third parties or utilisation of its contents – in whole or in parts – is forbidden without prior written consent of ABB AG. Copyright © 2020 ABB All rights reserved