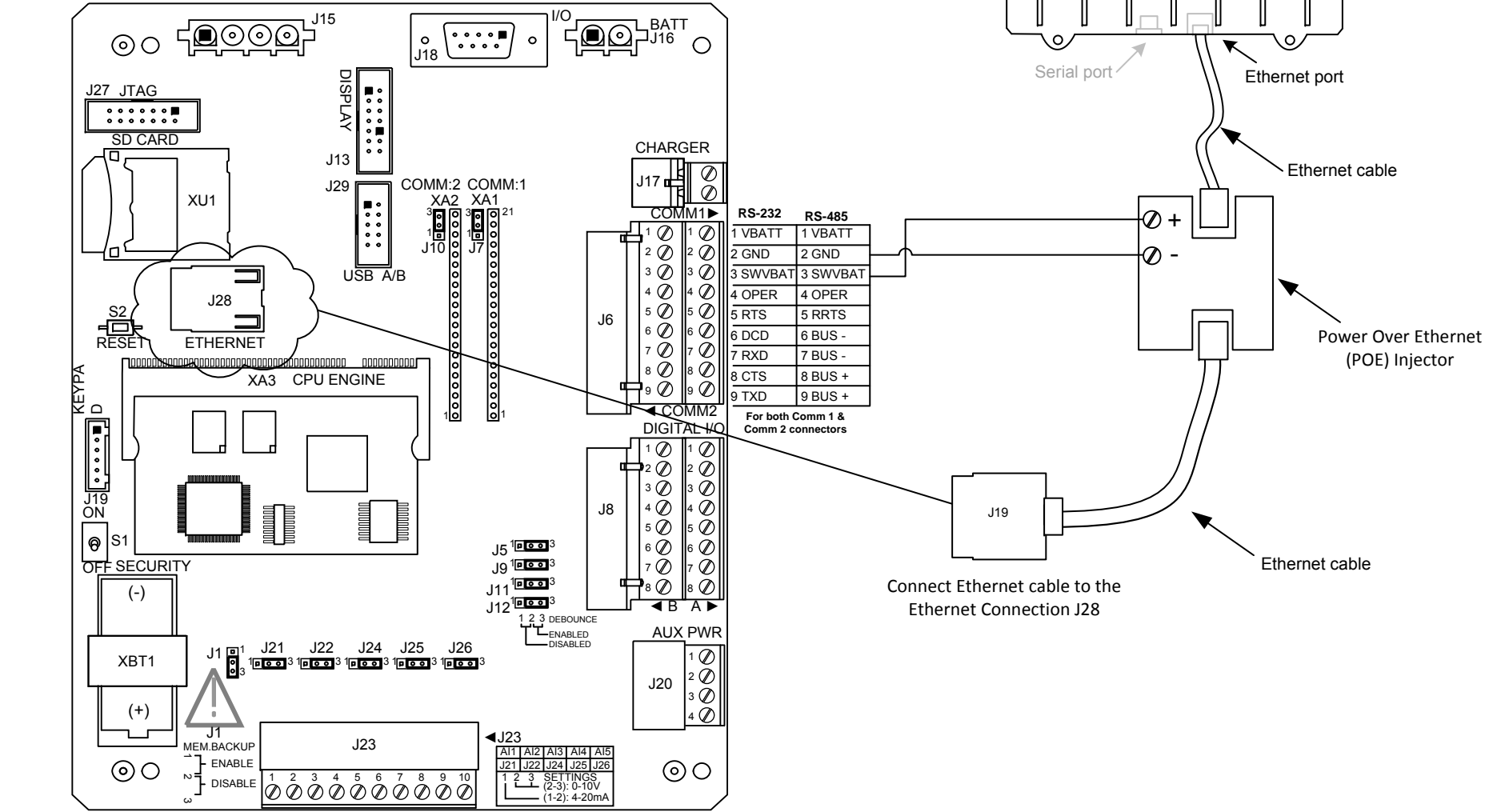


NOTES:

1. **WARNING:** This drawing does not illustrate the installation methods required for hazardous locations. Prior to any installation in a Classified Hazardous Location, verify installation methods by the Control Drawing referenced on the product's name tag and national and local codes.

2. For permanent communications on Ethernet port, set Network Adapter value to "Enable" in G4 device.



XRC G4 with Processor Card 2103329 Assembly

REF: N/A



TOTALFLOW Products

ACTION L34516

DOC TYPE UD

TITLE XRC^{G4} (2103329 BD) to 1410-HAZ Tropos bridge or router via Ethernet with POE injector

DWG NO. 2105142

REV AA

SHEET 1 OF 1