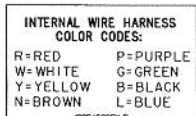


|                |                |                |               |               |               |               |               |               |               |               |               |               |               |               |               |               |               |
|----------------|----------------|----------------|---------------|---------------|---------------|---------------|---------------|---------------|---------------|---------------|---------------|---------------|---------------|---------------|---------------|---------------|---------------|
| 19 AUX. 11 "A" | 20 AUX. 11 "B" | 21 AUX. 11 COM | 22 AUX. 9 "A" | 23 AUX. 9 "B" | 24 AUX. 9 COM | 25 AUX. 7 "A" | 26 AUX. 7 "B" | 27 AUX. 7 COM | 28 AUX. 5 "A" | 29 AUX. 5 "B" | 30 AUX. 5 COM | 31 AUX. 3 "A" | 32 AUX. 3 "B" | 33 AUX. 3 COM | 34 AUX. 1 "A" | 35 AUX. 1 "B" | 36 AUX. 1 COM |
| AUX. 12 "A"    | AUX. 12 "B"    | AUX. 12 COM    | AUX. 10 "A"   | AUX. 10 "B"   | AUX. 10 COM   | AUX. 8 "A"    | AUX. 8 "B"    | AUX. 8 COM    | AUX. 6 "A"    | AUX. 6 "B"    | AUX. 6 COM    | AUX. 4 "A"    | AUX. 4 "B"    | AUX. 4 COM    | AUX. 2 "A"    | AUX. 2 "B"    | AUX. 2 COM    |

LEFT SIDE  
 TERMINAL BLOCK LABEL  
**BLOCK "A"**

\*SCREW TERMINAL POSITION RELATIVE TO FRONT OF CIRCUIT BREAKER



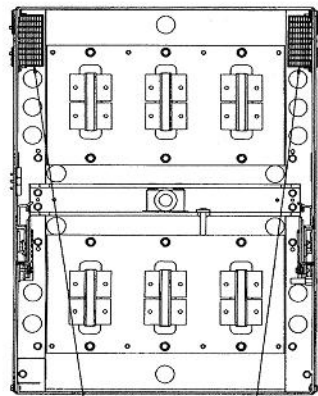
|                     |                |                  |                    |                     |                     |                       |                        |                        |    |                 |                 |                  |                  |                 |                 |                 |                 |
|---------------------|----------------|------------------|--------------------|---------------------|---------------------|-----------------------|------------------------|------------------------|----|-----------------|-----------------|------------------|------------------|-----------------|-----------------|-----------------|-----------------|
| 18 ELECT. OPER. + R | 17 RMT. CHG. W | 16 RMT. CLS. + Y | 15 B.A. ONLY COM Y | 14 B.A. ONLY N.O. B | 13 B.A. ONLY N.C. S | 12 B.A. LOCKOUT COM W | 11 B.A. LOCKOUT N.O. S | 10 B.A. LOCKOUT N.C. B | 9  | 8               | 7 COMNET- G     | 6 COMNET+ G      | 5 C Ø VOLTS R    | 4 B Ø VOLTS W   | 3 A Ø VOLTS L   | 2 24VOLTS DC- B | 1 24VOLTS DC+ W |
| 56 ELECT. OPER.- R  | 35 RMT. CHG. L | 34 RMT. CLS.- N  | 33 CHG. IND. G     | 32 SHUNT TRIP B     | 31 SHUNT TRIP S     | 30 U.V.R. L           | 29 U.V.R. S            | 28                     | 27 | 26 ZSI INPUT- W | 25 ZSI INPUT+ G | 24 ZSI OUTPUT- W | 23 ZSI OUTPUT+ R | 22 D/O SWITCH W | 21 D/O SWITCH L | 20 N TAP B      | 19 N COM. W     |

RIGHT SIDE  
 TERMINAL BLOCK LABEL  
**BLOCK "B"**

**WIRE CHART**

NOTE: WIRE RANGE #18 THRU #12 SOLID OR STRANDED COPPER WIRE. TORQUE: 9LB-IN

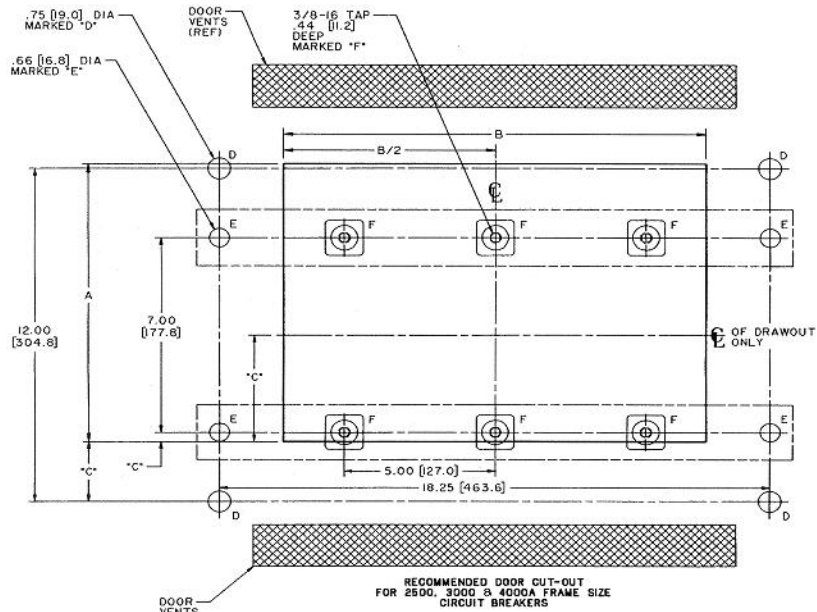
- NOTES:
- SEE OUTLINE DRAWING 10055629SH7.
  - SEE 10054370SH6 FOR MECHANICAL ACCESSORY INFORMATION.
  - 'F' DIA. = 2500A & 3000A BACK CONNECTED BREAKER MOUNTING INSERTS.
  - 'E' DIA. = 2500A & 3000A FRONT CONNECTED BREAKER MOUNTING HOLES.
  - 'D' DIA. = 4000AMP FRONT CONNECTED BREAKER MOUNTING HOLES.
  - BUSBARS OR CABLES SHOULD BE SIZED PER UL89I DEAD-FRONT SWITCHBOARDS STANDARD
  - DIMENSIONS IN BRACKETS ARE [METRIC].



SECONDARY DISCONNECT PLUG (DEDICATED POSITIONS)

|    |    |    |   |   |    |    |    |
|----|----|----|---|---|----|----|----|
| 28 | 19 | 10 | 1 | 9 | 18 | 27 | 56 |
| 29 | 20 | 11 | 2 | 8 | 17 | 26 | 55 |
| 30 | 21 | 12 | 3 | 7 | 16 | 25 | 54 |
| 31 | 22 | 13 | 4 | 6 | 15 | 24 | 53 |
| 32 | 23 | 14 | 5 | 5 | 14 | 23 | 52 |
| 33 | 24 | 15 | 6 | 4 | 13 | 22 | 51 |
| 34 | 25 | 16 | 7 | 3 | 12 | 21 | 50 |
| 35 | 26 | 17 | 8 | 2 | 11 | 20 | 49 |
| 36 | 27 | 18 | 9 | 1 | 10 | 19 | 48 |

LEFT SIDE RIGHT SIDE  
 NOTE: ALL WIRES ON LEFT = AUX. SWITCH WIRES. ALL WIRES ON RIGHT = ALL OTHER WIRING. \*S CORRESPOND TO WIRE CHART I.E. #31, 32 RIGHT = SHUNT TRIP



| FRAME RATING | BREAKER TYPE    | WEIGHT              |                      | MINIMUM COMPARTMENT VOLUME   | MINIMUM DOOR VENTILATION   | STANDARD DOOR CUT-OUT |          |             | OPTIONAL DOOR CUT-OUT |  |               |
|--------------|-----------------|---------------------|----------------------|--|--|-----------------------|----------|-------------|-----------------------|--|---------------|
|              |                 | BREAKER             | DRAWOUT SUBSTRUCTURE |  |  | A                     | B        | C           | A                     | B  | C             |
| 2500A        | BACK CONNECTED  | 167 LBS [76KG] *    | N/A                  | 13,950 CU.IN. [229,600 CU.CM.]   | 160 SQ.IN. [1,032 SQ.CM.] TOTAL<br>80 SQ.IN. [516 SQ.CM.] TOP<br>80 SQ.IN. [516 SQ.CM.] BOTTOM       | 10 [254]              | 14 [356] | 34 [86.6]   | 9.83 [249.7]          | 13.38 [339.9]  | 255 [6.4]     |
|              | FRONT CONNECTED | 178 LBS [81KG] *    |                      | 20,832 CU.IN. [341,375 CU.CM.]   | 270 SQ.IN. [1,742 SQ.CM.] TOTAL<br>135 SQ.IN. [871 SQ.CM.] TOP<br>135 SQ.IN. [871 SQ.CM.] BOTTOM     | TRIM PLATE REQUIRED   |          |             |                       | FLUSH FRONT OR NON-HINGED DOOR CONSTRUCTION- TRIM PLATE MAY BE OMITTED |               |
| 3000A        | BACK CONNECTED  | 216 LBS [98.3KG] *  | N/A                  | 25,143 CU.IN. [412,020 CU.CM.]   | 270 SQ.IN. [1,742 SQ.CM.] TOTAL<br>135 SQ.IN. [871 SQ.CM.] TOP<br>135 SQ.IN. [871 SQ.CM.] BOTTOM     |                       |          | 2.17 [55.1] |                       |  | 2,255 [57.28] |
|              | FRONT CONNECTED | 179 LBS [81.4KG] *  |                      | 270 SQ.IN. [1,742 SQ.CM.] TOTAL<br>135 SQ.IN. [871 SQ.CM.] TOP<br>135 SQ.IN. [871 SQ.CM.] BOTTOM |  |                       |          |             |                       | FLUSH FRONT OR NON-HINGED DOOR CONSTRUCTION- TRIM PLATE MAY BE OMITTED |               |
| 2500A        | DRAWOUT MOUNTED | 232 LBS [105.6KG] * | III LBS [50.5KG]     | 10,991 CU.IN. [180,108 CU.CM.]   | 246 SQ.IN. [1,587 SQ.CM.] TOTAL<br>123 SQ.IN. [793.5 SQ.CM.] TOP<br>123 SQ.IN. [793.5 SQ.CM.] BOTTOM | 10 [254]              | 14 [356] | 3.84 [97.5] | 9.83 [249.7]          | 13.38 [339.9]  | 3,755 [95.38] |
|              |                 | 233 LBS [106KG] *   | III LBS [50.5KG]     | 10,991 CU.IN. [180,108 CU.CM.]   | 246 SQ.IN. [1,587 SQ.CM.] TOTAL<br>123 SQ.IN. [793.5 SQ.CM.] TOP<br>123 SQ.IN. [793.5 SQ.CM.] BOTTOM | TRIM PLATE REQUIRED   |          |             |                       | FLUSH FRONT OR NON-HINGED DOOR CONSTRUCTION- TRIM PLATE MAY BE OMITTED |               |
| 4000A        | DRAWOUT MOUNTED | 295 LBS [134.2KG] * | 167 LBS [76KG]       | 15,138 CU.IN. [248,074 CU.CM.]   | 246 SQ.IN. [1,587 SQ.CM.] TOTAL<br>123 SQ.IN. [793.5 SQ.CM.] TOP<br>123 SQ.IN. [793.5 SQ.CM.] BOTTOM |                       |          |             |                       |  |               |

N/A = NOT APPLICABLE  
 \* ADD 9 LBS [4.1KG] FOR ELECTRICAL OPERATOR

TABLE 1

**ABB**

**POWER BREAK II**  
**CIRCUIT BREAKER WEIGHTS & VENTS INFO**

|             |          |         |           |     |
|-------------|----------|---------|-----------|-----|
| THIRD ANGLE | SHEET#   | DWG NO. | DATE      | REV |
|             | 13 of 19 | GEM3025 | 28-Oct-22 | C   |