



1.0 NOTES:


1.1 IN ORDER TO COMPLY WITH CERTIFICATION FOR POTENTIALLY EXPLOSIVE ATMOSPHERES, THOSE ITEMS LISTED MUST BE USED ONLY AS SHOWN.


 1.2 WARNING - EXPLOSION HAZARD - SUBSTITUTION OF COMPONENTS MAY IMPAIR SUITABILITY FOR CLASS 1, ZONE 2, IIB.


 1.3 WARNING - EXPLOSION HAZARD - DO NOT USE CONNECTOR(S) UNLESS THE AREA IS KNOWN TO BE NON-HAZARDOUS.

 1.4 WIRING BY FIELD PERSONNEL.

 1.5 CUSTOMER SUPPLIED EQUIPMENT MUST NOT USE OR GENERATE MORE THAN 250V WITH RESPECT TO GROUND.

 1.6 CUSTOMER SUPPLIED EQUIPMENT MUST BE CERTIFIED FOR USE IN THE CLASSIFIED HAZARDOUS LOCATION IN WHICH IT IS INSTALLED.

 1.7 CUSTOMER SUPPLIED EQUIPMENT MUST BE INSTALLED ACCORDING TO THE MANUFACTURERS INSTALLATION INSTRUCTIONS AND LOCAL AND NATIONAL ELECTRICAL CODES.

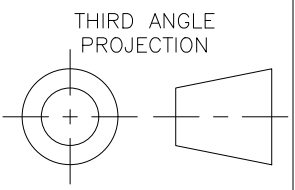

 1.8 RADIO SPECIFICATION:  
CUSTOMER SUPPLIED RADIO MUST BE IECEx CERTIFIED FOR USE IN A POTENTIALLY EXPLOSIVE ATMOSPHERE. APPLICABLE STANDARDS ARE: IEC 60079-0 AND IEC 60079-15. RADIO RATINGS MUST BE Ex nA (II, IIB, IIC) (T6, T5, T4), TAMB=-40°C ≤ TA ≤ 60°C. RADIO INPUT POWER: 10.5VDC TO 16VDC, 2A MAX. RADIO MUST BE INSTALLED IN PRODUCT BY FACTORY PRIOR TO SHIPMENT TO CUSTOMER.

 1.9 DC POWER SUPPLIES PROVIDING CHARGE CURRENT MUST BE LIMITED TO 15VDC 30W MAXIMUM.

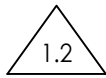
1.10 ALL CONDUIT FITTINGS/CABLE GLANDS USED FOR INSTALLATION MUST BE SUITABLE TO MAINTAIN IP54 ENVIRONMENTAL PROTECTION RATING FOR COMPLETED INSTALLATION.

1.11 WARNING - EXPLOSION HAZARD - ELECTROSTATIC CHARGING HAZARD. AVOID BUILD UP OF ELECTROSTATIC CHARGES UPON KEYPAD AND DISPLAY WINDOW DURING MAINTENANCE OR CLEAN UP. CLEAN WITH WET CLOTH ONLY.

END PRODUCT APPROVED FOR USE IN POTENTIALLY EXPLOSIVE ATMOSPHERES.  
NO CHANGES ALLOWED WITHOUT APPROVAL OF AUTHORIZED PERSON(S)  
IDENTIFIED BY DRAWING 2101982-AI.

DO NOT SCALE DRAWING	 <p>THIRD ANGLE PROJECTION</p>	UNLESS OTHERWISE SPECIFIED DIMENSIONS ARE IN INCHES TOLERANCES ARE: DECIMAL                      ANGULAR .XX ± --                              ± -- .XXX ± ---	PRODUCT LINE	LEVEL	 TOTALFLOW Products					
			TOTALFLOW®	3						
		DESIGN		DATE	TITLE <b>INSTALLATION,X SERIES,ZONE 2,IECE X</b>					
		G. HOLLAND		02/03/15						
		DRAWN								
		A. KASTNER		02/03/15						
		CHECKED								
		A. KASTNER		02/03/15						
		APPROVED			SCALE	SIZE	DOC TYPE	DRAWING NO.	REV	SHEET
		G. HOLLAND		02/03/15	NONE	B	CD	2100750-CD	AE	1 OF 20

2.0 SPECIFICATION  
2.1 MODEL NO. CONFIGURATION




MODEL 6210T -	1	2	3	4	5	-	8	9	10	11	-	-	14	20	-	26	-	-	-	-	-	-	-	-	-	-	-	-	-	-	-	50	-	-		
MODEL 6213T -	1	2	3	4	5	6	8	9	10	11	12	13	14	20	25	26	-	-	-	-	-	-	-	-	-	-	-	-	-	-	-	-	50	-	-	
MODEL 6410T -	1	2	3	4	5	6	8	9	10	11	12	13	-	20	25	26	-	-	-	-	-	-	-	-	-	-	-	-	-	-	-	43	50	59	90	
MODEL 6411T -	1	2	3	4	5	6	8	9	10	11	12	13	14	20	25	26	-	-	-	-	-	-	-	-	-	-	-	-	-	-	-	43	50	59	90	
MODEL 6413T -	1	2	3	4	5	6	8	9	10	11	12	13	-	20	25	26	27	28	29	30	31	-	-	-	-	-	-	-	-	-	-	43	50	59	90	
MODEL 6414T -	1	2	3	4	5	6	8	9	10	11	12	13	14	20	25	26	27	28	29	30	31	-	-	-	-	-	-	-	-	-	-	43	50	59	90	
MODEL 6713T -	1	2	3	4	5	6	8	9	10	11	12	13	-	20	25	26	27	28	29	30	31	32	33	34	-	-	-	-	-	-	-	43	50	59	90	
MODEL 6714T -	1	2	3	4	5	6	8	9	10	11	12	13	14	20	25	26	27	28	29	30	31	32	33	34	-	-	-	-	-	-	-	43	50	59	90	
MODEL 6490T -	1	2	3	-	5	6	8	9	10	-	12	13	14	20	25	26	27	28	29	30	31	-	-	-	-	-	-	-	-	-	-	43	50	59	90	
MODEL 6790T -	1	2	3	-	5	6	8	9	10	-	12	13	14	20	25	26	27	28	29	30	31	32	33	34	-	-	-	-	-	-	-	43	50	59	90	
MODEL 6890T -	1	2	3	-	5	6	8	9	10	-	12	13	14	20	25	26	27	28	29	30	31	32	33	34	35	36	37	38	39	40	41	42	43	50	59	90
MODEL 6270T -	1	2	-	-	5	-	8	-	10	-	12	13	-	-	-	26	-	-	-	-	-	-	-	-	-	-	-	-	-	-	-	-	-	-	-	
MODEL 6470T -	1	2	-	-	5	-	8	-	10	-	12	13	-	-	-	26	-	-	-	-	-	-	-	-	-	-	-	-	-	-	-	-	-	-	-	
MODEL 6770T -	1	2	-	-	5	6	8	-	10	-	12	13	-	-	-	26	-	-	-	-	-	-	-	-	-	-	-	-	-	-	-	-	-	-	-	

- |  |  |        |
|--|--|--------|
| 1. CERTIFICATION   | 29. I/O MODULE POSITION                                  | NO. 1  |
| 2. ENCLOSURE   | 30. ↑  | ↑      |
| 3. ELECTRONIC BOARD                                      | 31. ↑  | ↑      |
| 4. AMU ASSEMBLY  | 32.  |        |
| 5. ATTERY OPTION   | 33.  |        |
| 6. CHARGING SOURCE                                       | 34.  |        |
| 8. MOUNTING KIT (CERTIFICATION NOT APPLICABLE)           | 35.  |        |
| 9. REMOTE COMM 1   | 36.  |        |
| 10. SPECIAL (CERTIFICATION NOT APPLICABLE)               | 37.  |        |
| 11. RTD PROBE ASSY                                       | 38.  |        |
| 12. COMMUNICATION MTG KIT (CERTIFICATION NOT APPLICABLE) | 39.  |        |
| 13. COMMUNICATION OPTION                                 | 40.  |        |
| 14. PULSE OPTION   | 41. ↓  | ↓      |
| 20. REMOTE COMM 2  | 42. I/O MODULE POSITION                                  | NO. 14 |
| 25. LEVELMASTER P.T.R. SWITCH OPTION                     | 43. KEYPAD OPTION  |        |
| 26. PRODUCT IDENTIFIER (CERTIFICATION NOT APPLICABLE)    | 50. XFC/XRC FIRMWARE (CERTIFICATION NOT APPLICABLE)      |        |
| 27. VALVE CONTROL OPTION                                 | 59. WIFI ANTENNA OPTIONS                                 |        |
| 28. /O MODULE MTG KIT                                    | 90. MAN/MACHINE INTERFACE OPTION                         |        |
|  | 100. APPROVED OPTIONAL EQUIPMENT (NOT PART OF MODEL NO.) |        |

1 CERTIFICATION

T Ex nA IIB Gc, T3, IP54 (-40°C ≤ T<sub>AMB</sub> ≤ +60°C) REPORT NO., IECEx CSA 09.0013X

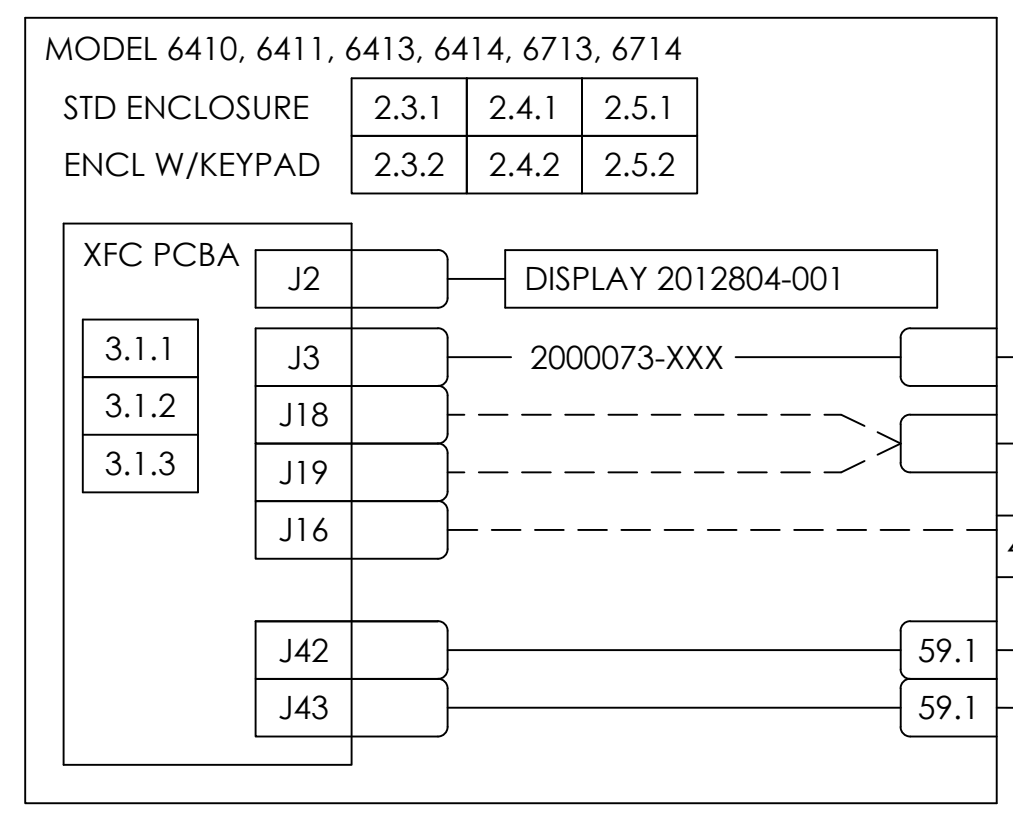
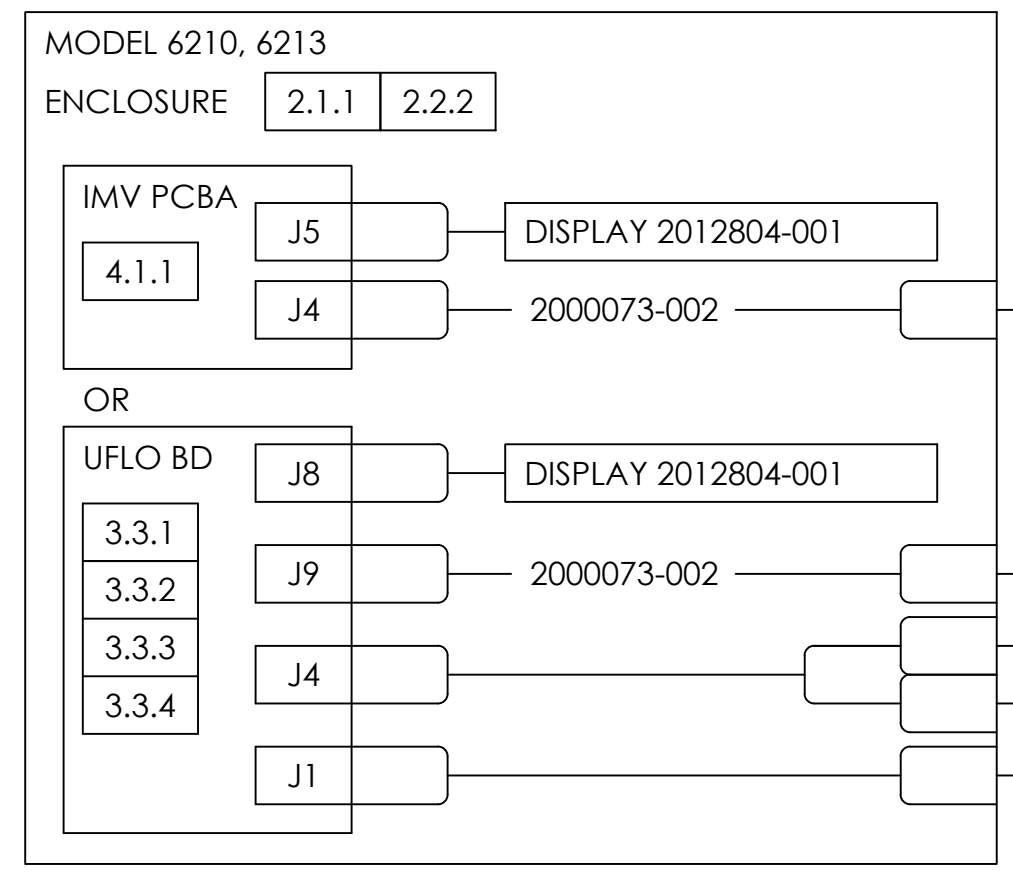
 <b>TOTALFLOW Products</b> MADE IN U.S.A. <small>7051 Industrial Blvd, Bartlesville, OK 74006 800-442-3097 www.abb.com/totalflow</small>	
Ex nA IIB T3 IP54 IECEx CSA 09.0013X INSTALL PER DRAWING 2100750-CD	
WARNING: ELECTROSTATIC CHARGING HAZARD SEE INSTRUCTIONS	
AMBIENT TEMPERATURE: -40° ≤ T <sub>AMB</sub> ≤ +60°C POWER REQUIRED: NOMINAL SOLAR PANEL, 12V 30W MAX OR AC-DC/DC-DC POWER SOURCE 14-15VDC 30W MAX	
MODEL NO:	SAFETY CERT: T
SERIAL NO:	

2 ENCL ASSY W/DISPLAY

- 2.1 6210 ENCLOSURE
  - 2.1.1 2100997-001 ENCL W/2102975-002 STD DOOR (HOFFMAN)
- 2.2 6213, 6270 ENCLOSURE
  - 2.2.1 REMOVED
  - 2.2.2 2104452-001 ENCL W/2101771-005, -007 STD DOOR (HOFFMAN)
- 2.3 6410, 6411 ENCLOSURE
  - 2.3.1 2102989-003 ENCL W/2102975-002 STD DOOR (HOFFMAN)
  - 2.3.2 2102989-003 ENCL W/2103062-002 KEYPAD DOOR (HOFFMAN)
- 2.4 6413, 6414, 6470, 6490 ENCLOSURE
  - 2.4.1 2103068-001 ENCL W/2101771-007 STD DOOR (HOFFMAN)
  - 2.4.2 2103068-001 ENCL W/2101751-003 KEYPAD DOOR (HOFFMAN)
- 2.5 6713, 6714, 6770, 6790 ENCLOSURE
  - 2.5.1 2102976-003 ENCL W/2102977-002 STD DOOR (HOFFMAN)
  - 2.5.2 2102976-003 ENCL W/2102978-002 KEYPAD DOOR (HOFFMAN)
- 2.6 6890 ENCLOSURE
  - 2.6.1 2100462-005 ENCL W/2100463-004 STD DOOR (HOFFMAN)
  - 2.6.2 2100462-005 ENCL W/2100463-005 KEYPAD DOOR (HOFFMAN)

- 3 ELECTRONIC BOARD OPTIONS
  - 3.1 XFC PCBA ASSY
    - 3.1.1 2102838-002 XFC-G4 MOTHER BD  
W/2102427-001 OR 2103639-001,-002  
EC 2410 PROCESSOR CARD
    - 3.1.2 2100204-004 CB195 PCBA
    - 3.1.3 2105733-001 XFC-G5 MOTHER BD  
W/2105708-001 APU AM335X PROCESSOR  
CARD
  - 3.2 XRC PCBA ASSY
    - 3.2.1 2103022-002 XRC-G4 MOTHER BD  
W/2102427-001 OR 2103639-001,-002  
EC 2410 PROCESSOR CARD
    - 3.2.2 2100355-003 RTU CB195 PCBA
    - 3.2.3 2105825-001 XRC G5 MOTHER BD  
W/2105708-001 APU AM335X PROCESSOR  
CARD
  - 3.3 UFLO PCBA ASSY
    - 3.3.1 2104356-001 UFLO G4 IMV PCBA  
W/2102427-001 OR 2103639-001,-002  
EC 2410 PROCESSOR CARD
    - 3.3.2 2104939-001 AM335X G5 UFLO PCBA
    - 3.3.3 2108238-(001 thru 008) OSC335X C-SIP  
G5 UFLO PCBA
    - 3.3.4 2108246-(001 thru 008) OSC335X  
G5 UFLO PCBA

- 43 KEYPAD OPTION
  - 43.1 2100498-002 PROGRAMMED KEYPAD ASSEMBLY
- 59 WIFI / BLUE TOOTH ANTENNA
  - 59.1 WIFI ANTENNA W/CABLE & SURGE ASSEMBLY
- 90 MAN/MACHINE INTERFACE OPTION
  - 90.1 USB TYPE A CONN (1802999-001)  
W/CAP (1803005-001)
  - 90.2 USB TYPE B CONN (1803001-001)  
W/CAP (1803005-001)
  - 90.3 ETHERNET, CAT 5E CONN (1803071-001)  
W/CAP (1803005-001)

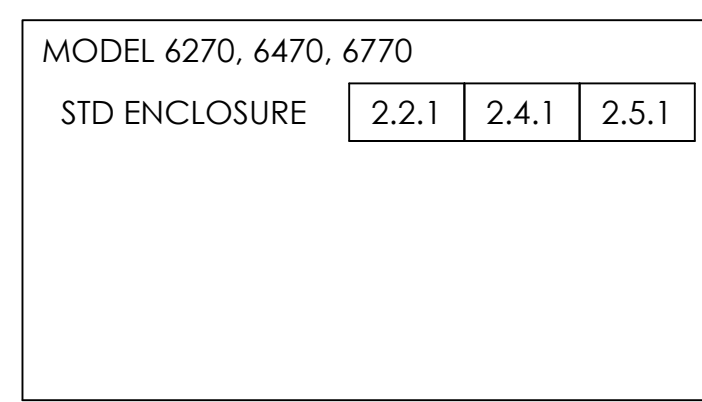
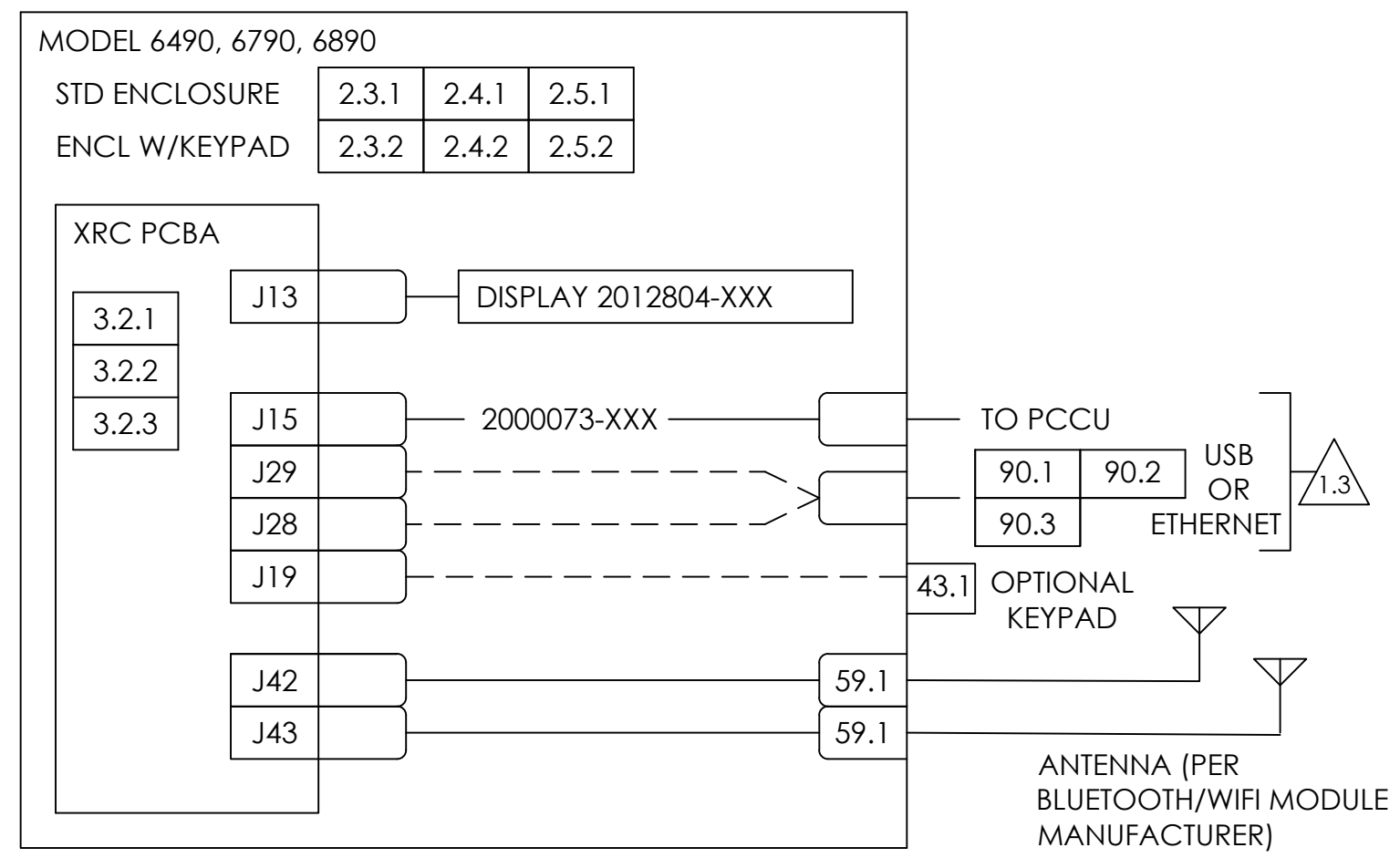


HAZARDOUS AREA CLASS I, ZONE 2, II B

HAZARDOUS AREA CLASS I, ZONE 1, II B CLASS I, ZONE 2, II B OR NON-HAZARDOUS AREA

HAZARDOUS AREA  
CLASS I, ZONE 2, II B

HAZARDOUS AREA  
CLASS I, ZONE 1, II B  
CLASS I, ZONE 2, II B  
OR  
NON-HAZARDOUS  
AREA



4 XIMV, IMV, AMU ASSEMBLY

4.1 ELECTRONIC BD

4.1.1	2100767-004	UFLO (IMV) PCBA
4.1.2	2102924-001	XIMV DUAL RANGE PCBA
4.1.3	2015293-002	AMU PCBA (S & F)
4.1.4	2103641-001/-002	RAW SENSOR BUFFERED SIGNAL DIGITIZING PCBA
4.1.5	2104742-002/-003	RAW SENSOR BUFFERED SW. RTD REF PCBA

4.2 MULTIVARIABLE TRANSDUCER

4.2.1	2102127-XXX	XDCR DP/AP OPTIMIZED ABB MINDEN T2000M
4.2.2	2102949-XXX	XDCR DP FOXBORO IAMV W/BSHG
4.2.3	2103101-XXX	XDCR DP LIQUID FOXBORO IAMV W/BSHG

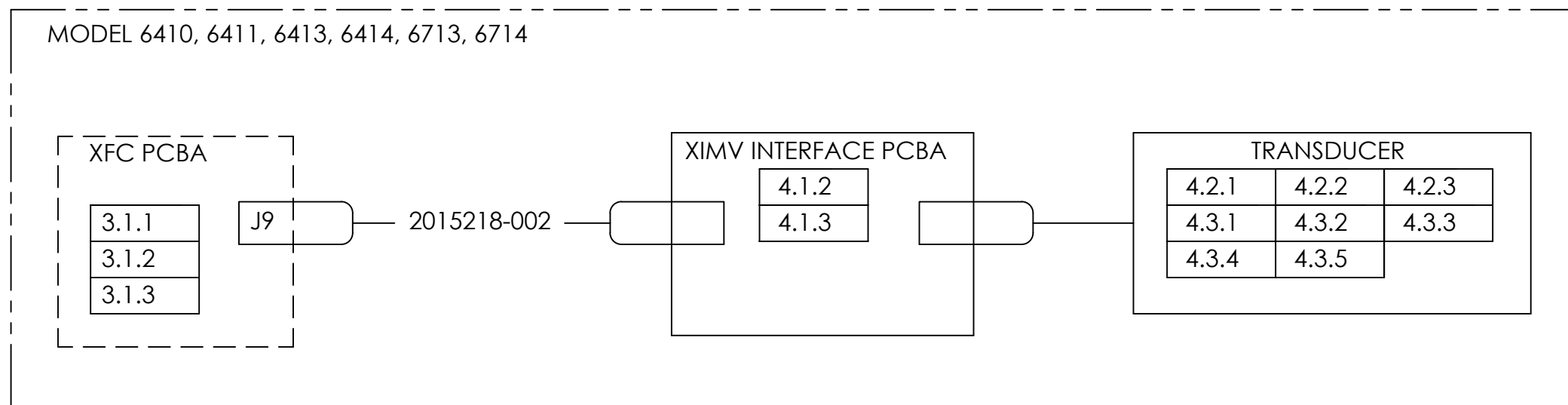
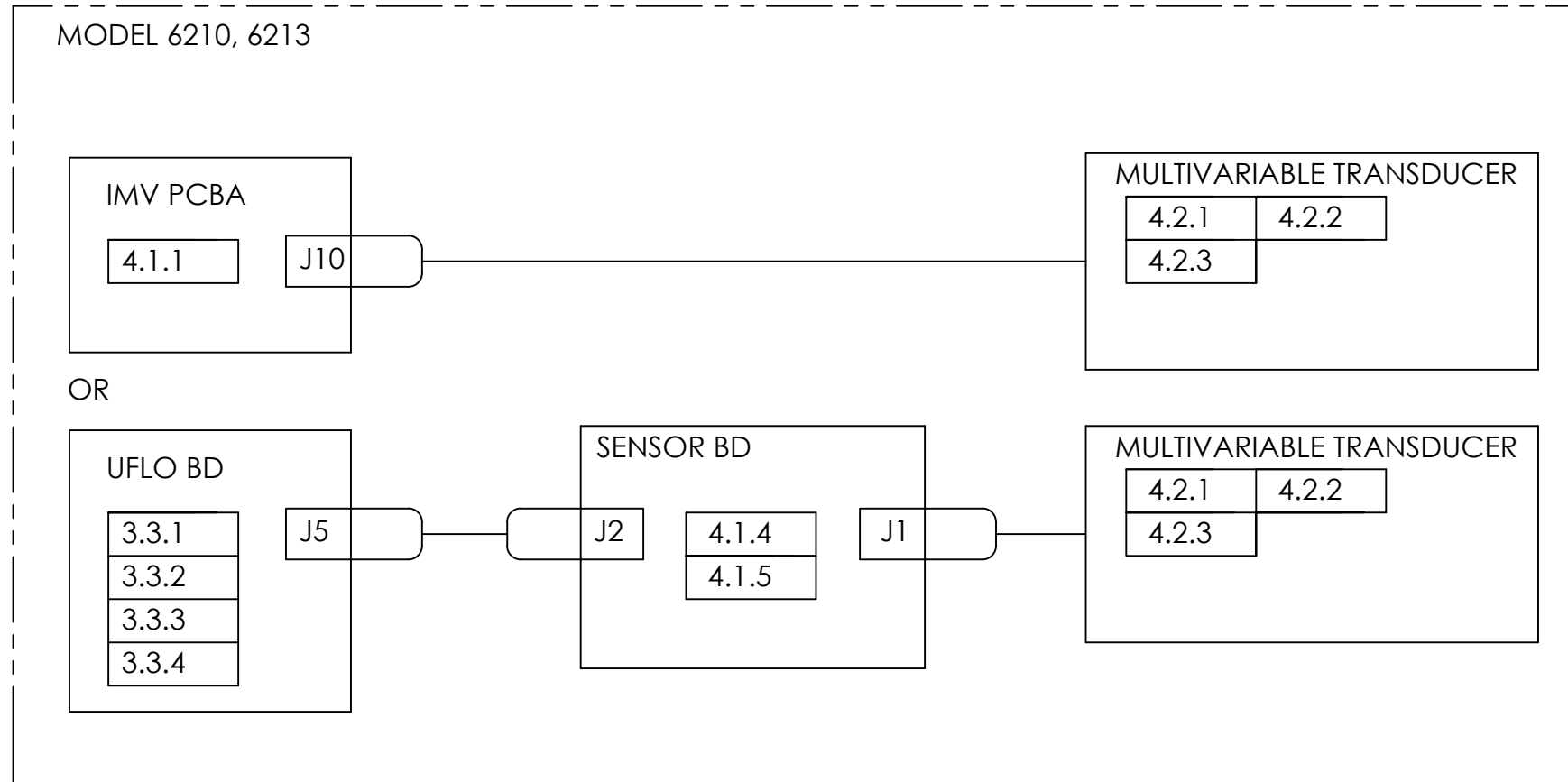
4.3 AP TRANSDUCER

4.3.1	2015103-001	100 PSIA SENSYM ICT	1234-L889-100, DRUCK PDCR 1000-8277-100
4.3.2	2015103-002	500 PSIA SENSYM ICT	1234-L889-500, DRUCK PDCR 1000-8277-500
4.3.3	2015103-003	1500 PSIA DRUCK PDCR	1000-8277-1500
4.3.4	2015103-005	2000 PSIA DRUCK PDCR	1000-8277-2000
4.3.5	2015103-006	3500 PSIA DRUCK PDCR	1000-8277-3500

4

HAZARDOUS AREA  
CLASS I , ZONE 2, II B

HAZARDOUS AREA  
CLASS I, ZONE 1, II B  
CLASS I, ZONE 2, II B  
OR  
NON-HAZARDOUS  
AREA



5 BATTERY OPTION

5.1 BATTERIES

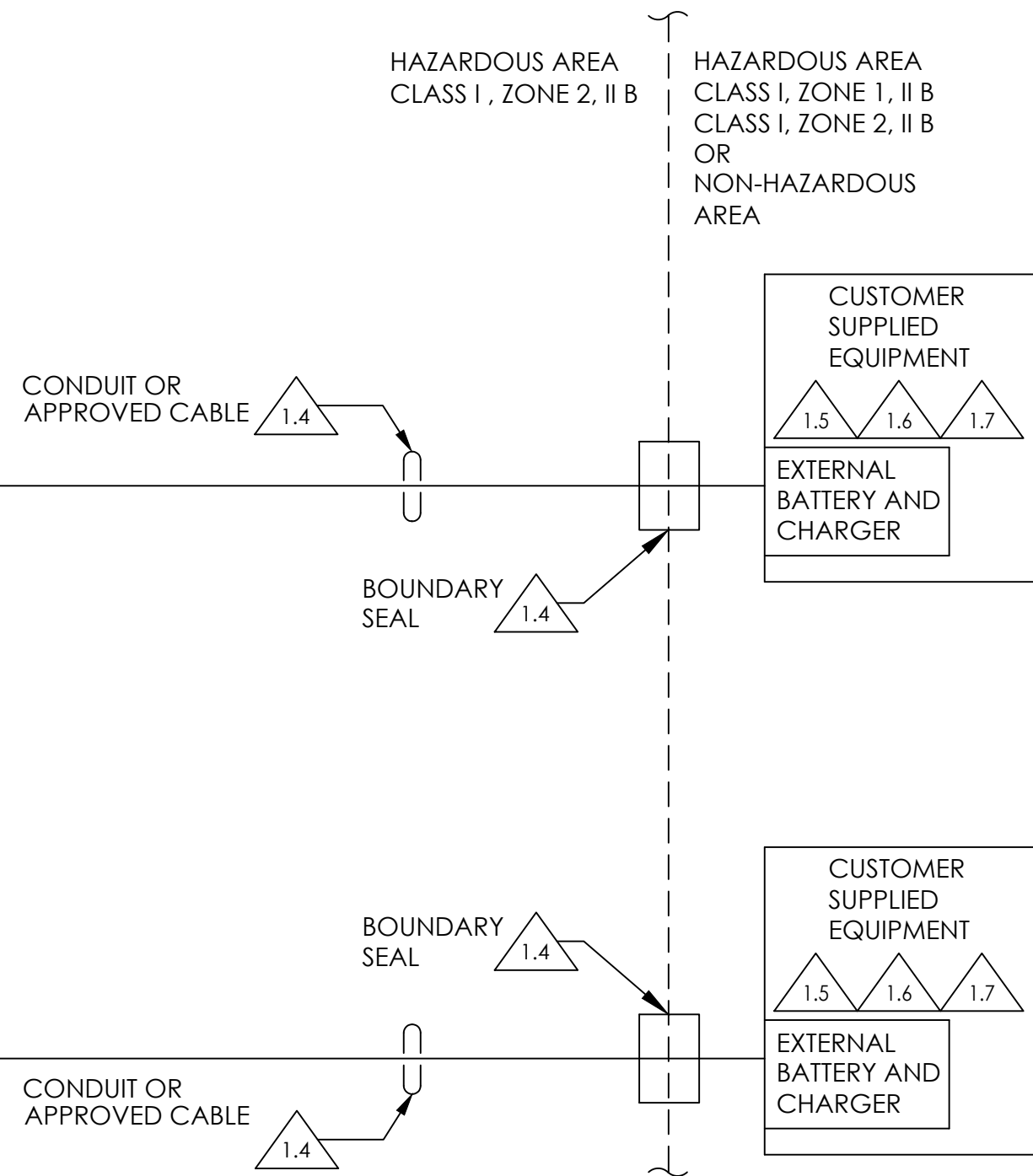
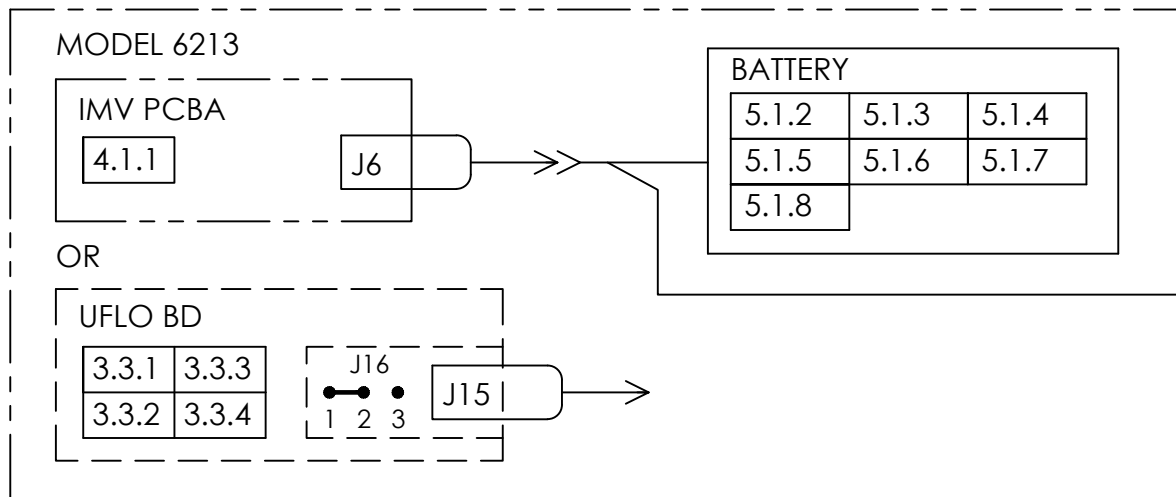
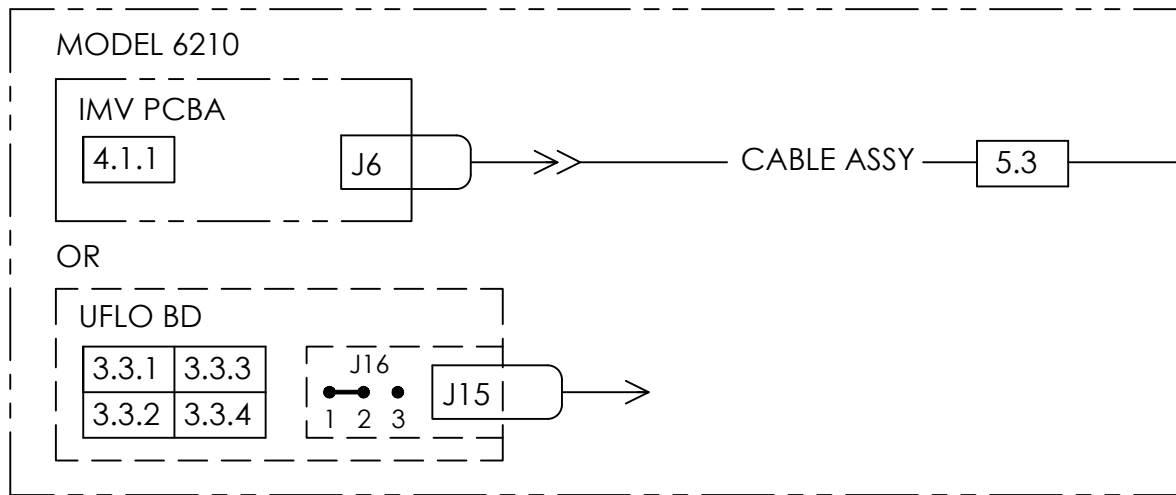
5.1.1	— WITHOUT BATTERY	
5.1.2	— 12V, 8.0 AH CYCLONE	(2015113-003)
5.1.3	— 12V, 16.0 AH GENESIS G16EP OR XE16	(2015052-003)
5.1.4	— 12V, 13.0 AH GENESIS G13EP OR XE13	(2015052-002)
5.1.5	— 12V, 12.0 AH POWER-SONIC PS12120	(2015052-006)
5.1.6	— 12V, 18.0 AH POWER-SONIC PS12180	(2015052-007)
5.1.7	— 12V, 7.0 AH POWER-SONIC PS12070	(2015052-009)
5.1.8	— 12V, 24 AH GENESIS NP24-12 FR	(2015052-014)

5.2 CHARGER REGULATOR

5.2.1	— SCI ASC #12/8-A CHARGER REGULATOR	(1489000-001)
-------	-------------------------------------	---------------

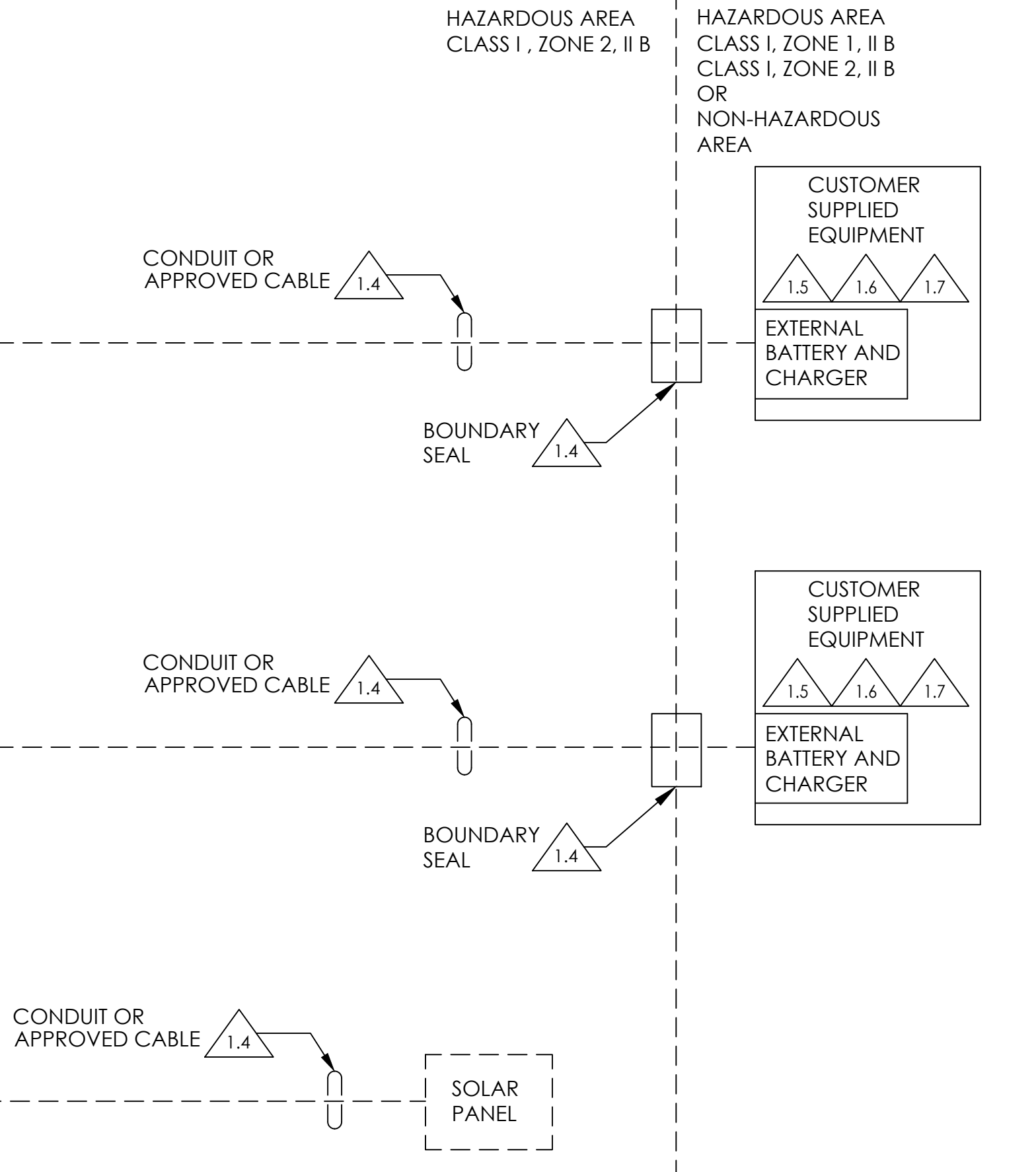
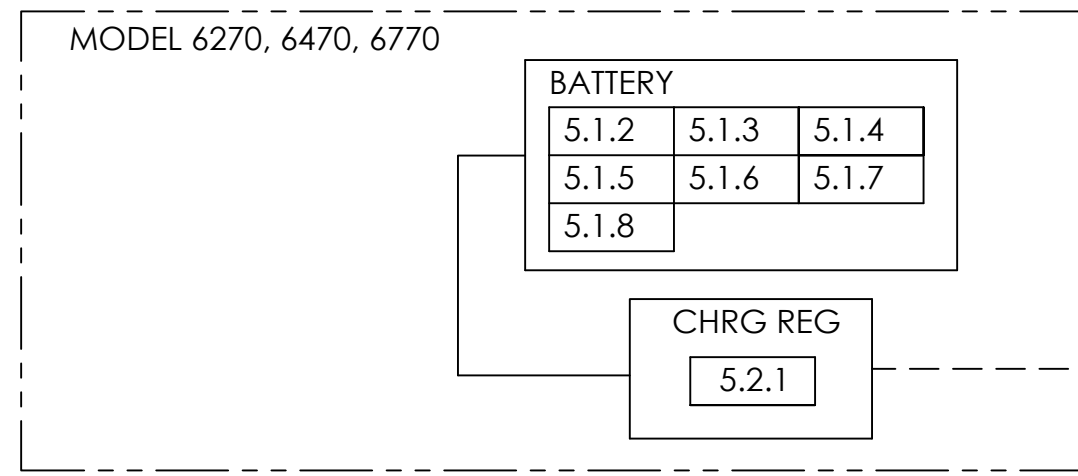
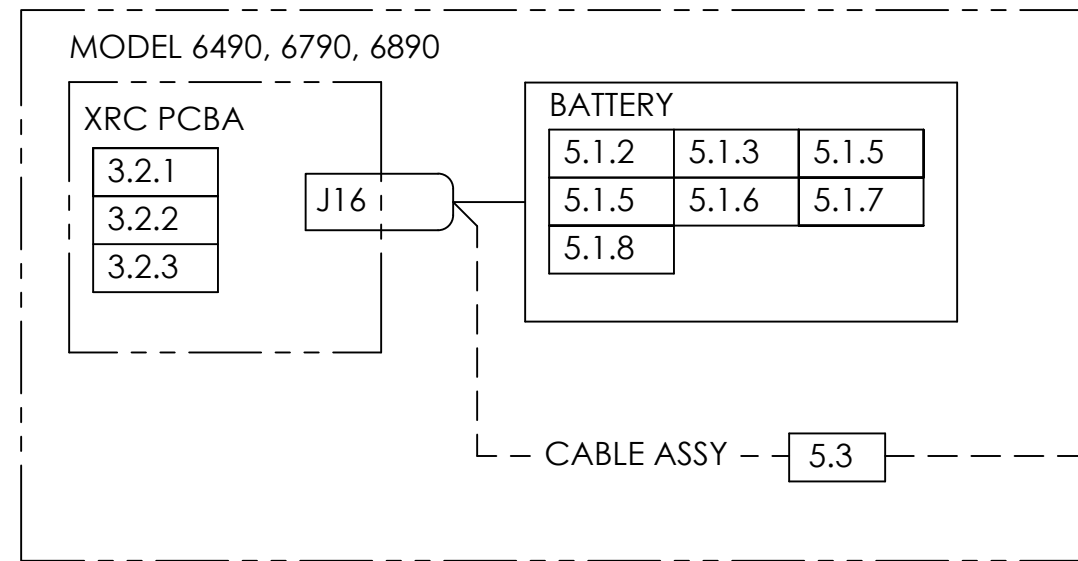
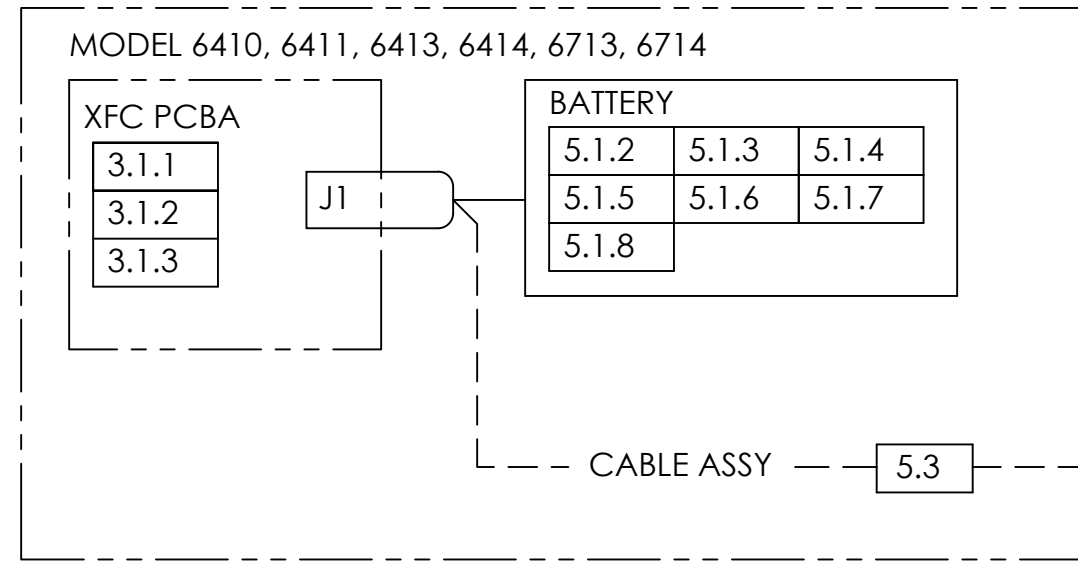
5.3 CABLE ASSY, EXTERNAL BATTERY

(2015433-001)



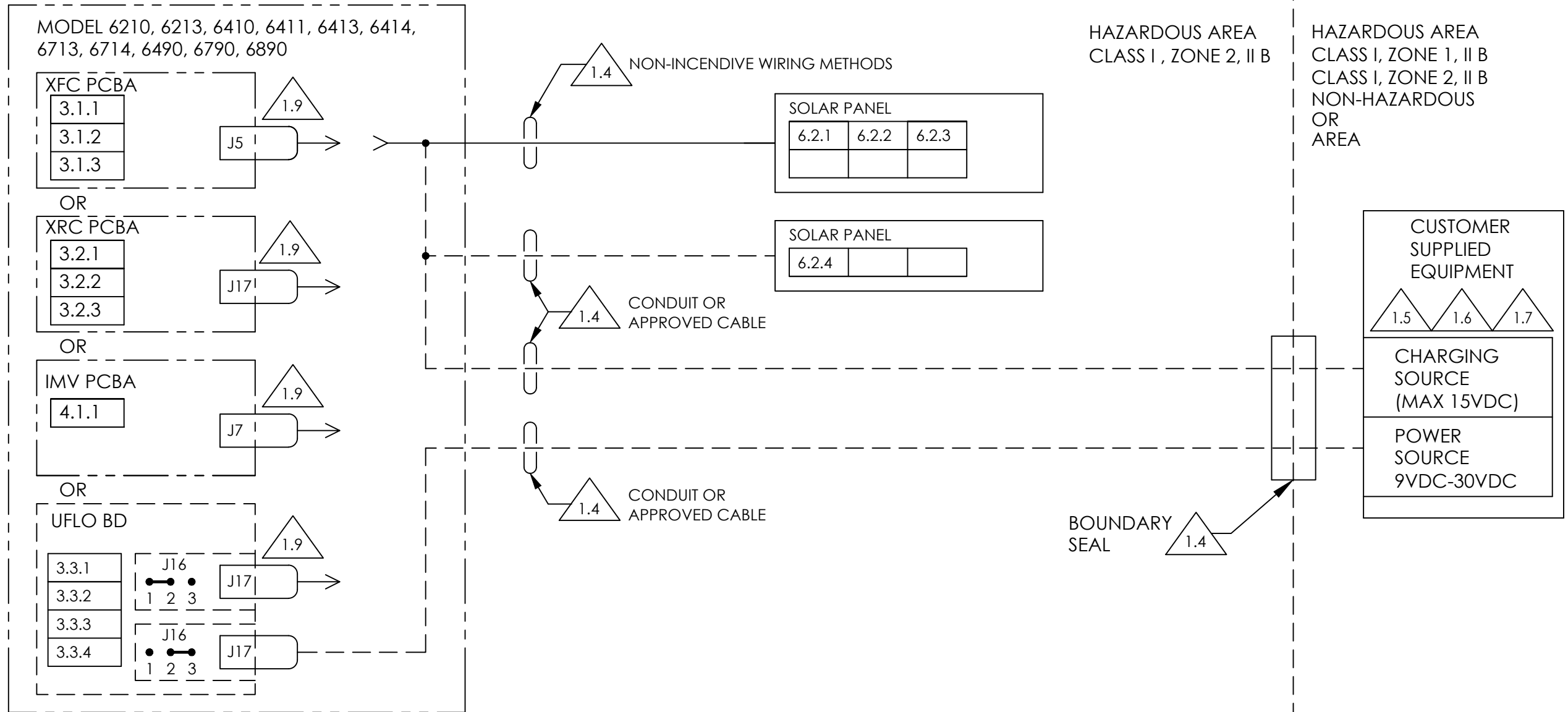


5



6 CHARGING SOURCE OPTION

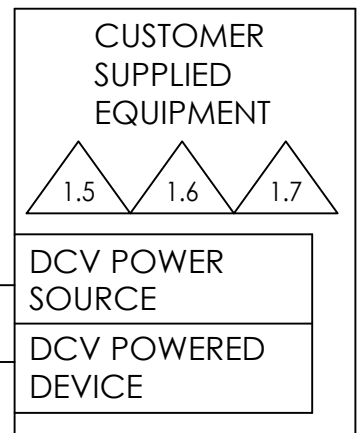
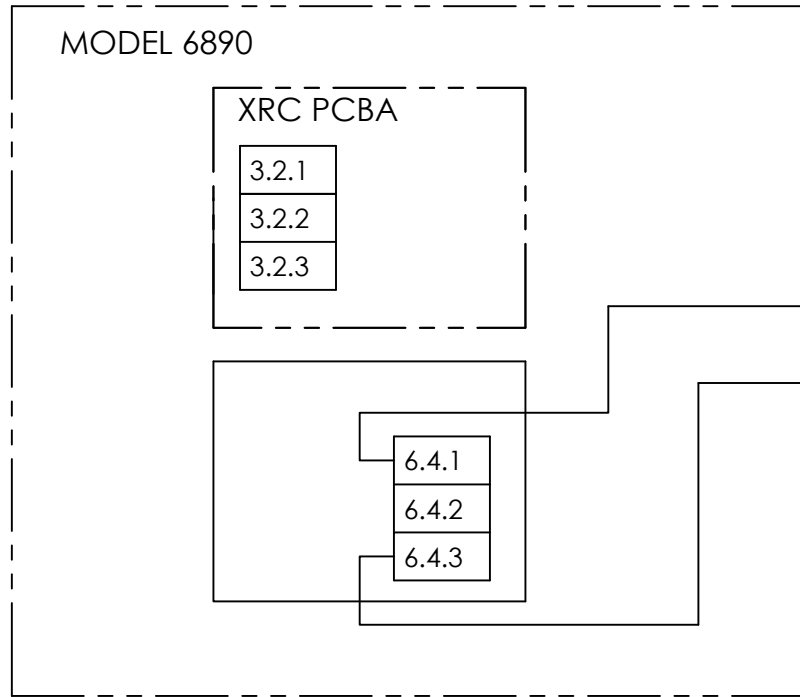
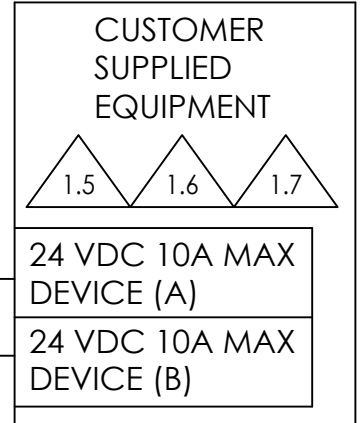
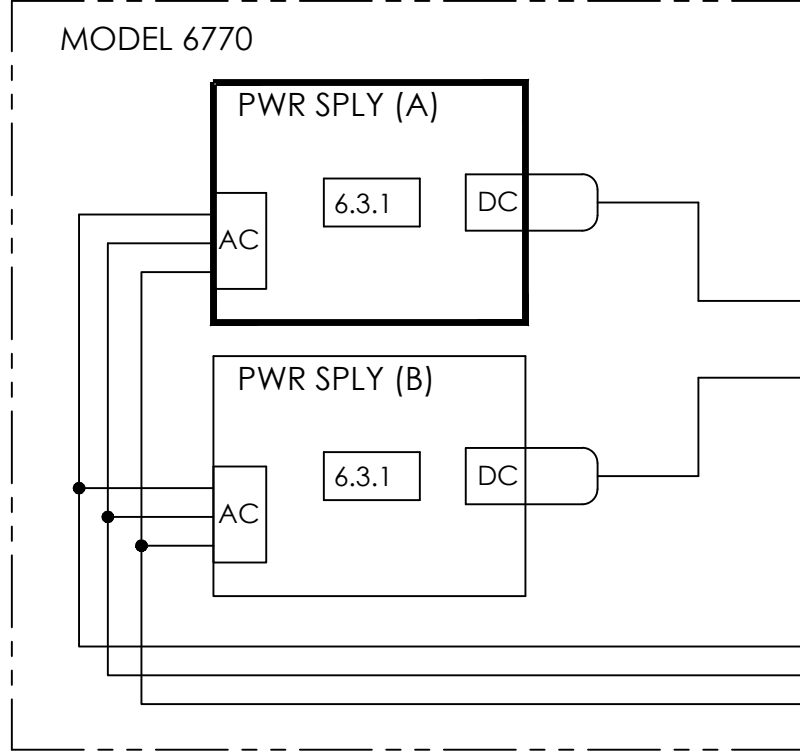
- 6.1 WITHOUT CHARGING SOURCE
- 6.2 SOLAR PANELS
  - 6.2.1 SOLAR PANEL, 12V, 5W 135 FT MAX CABLE LENGTH, BP SOLAR SX-305 M, KYOCERA KS-5
  - 6.2.2 SOLAR PANEL, 12V, 10W 135 FT MAX CABLE LENGTH, BP SOLAR SX-310 M, KYOCERA KS-10
  - 6.2.3 SOLAR PANEL, 12V, 20W 135 FT MAX CABLE LENGTH, BP SOLAR SX-320 J, KYOCERA KS-20
  - 6.2.4 SOLAR PANEL, 12V, 30W 135 FT MAX CABLE LENGTH, BP SOLAR SX-330 J
- 6.3 PWR SPLY, AC IN/DC OUT
  - 6.3.1 AC PWR SPLY, 100-240 VAC IN, 24 VDC OUT, PHOENIX QUINT, 2938866
- 6.4 PWR SPLY, ACCESSORY
  - 6.4.1 FUSED TERMINAL, 6.3A MAX, PHOENIX UK5-HESI, (1800693-001) WITH CERAMIC, 5 X 20 mm FUSE
  - 6.4.2 POWER DISTRIBUTION BLOCK (1800518-001)
  - 6.4.3 CONNECTOR, TERMINAL BLOCK, PHOENIX 0404017 (1800519-001)



6

HAZARDOUS AREA  
CLASS I, ZONE 2, II B

HAZARDOUS AREA  
CLASS I, ZONE 1, II B  
CLASS I, ZONE 2, II B  
OR  
NON-HAZARDOUS  
AREA



SCALE	SIZE	DOC TYPE	DRAWING NO.	REV	SHEET
NONE	B	CD	2100750-CD	AE	11 OF 20

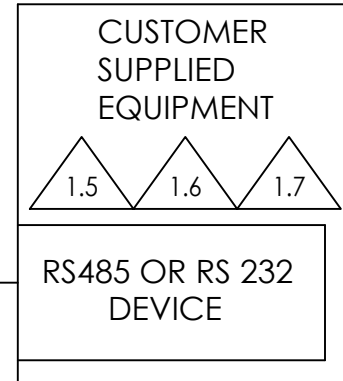
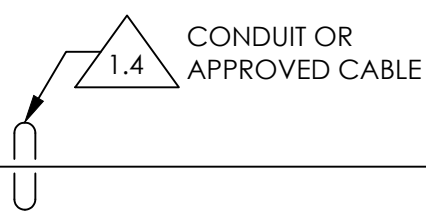
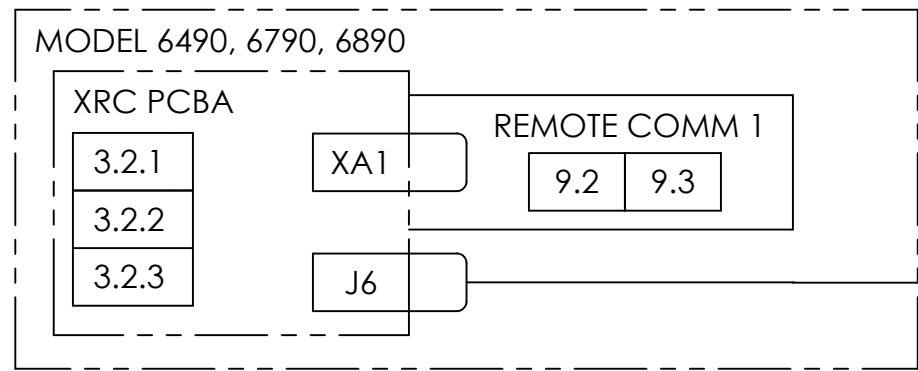
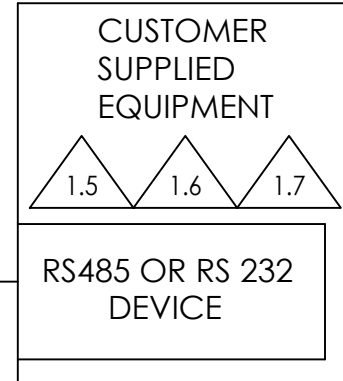
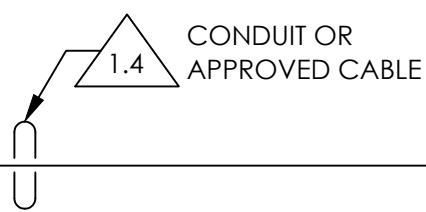
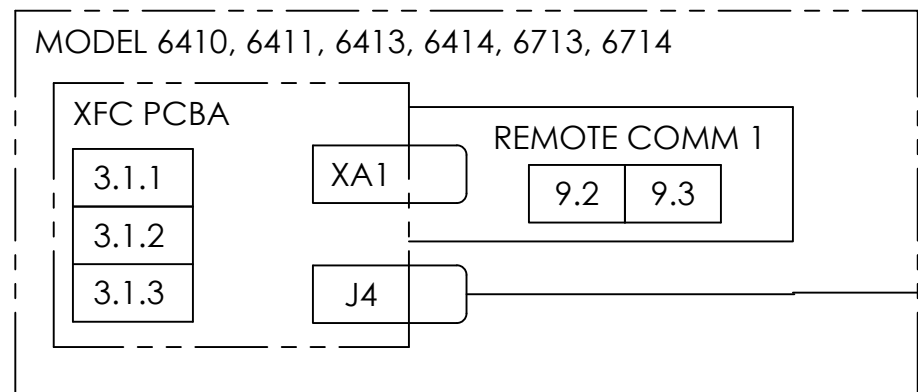
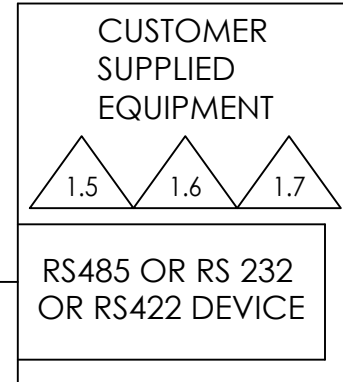
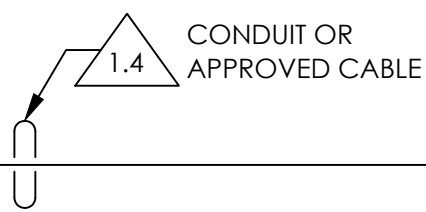
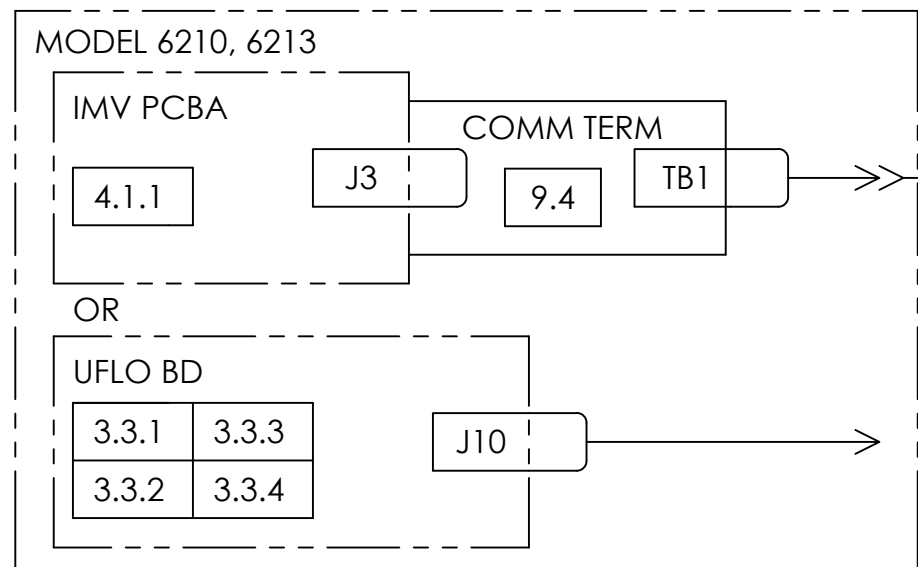
9

REMOTE COMM 1

- 9.1 WITHOUT MODULE
- 9.2 RS485 COMM MODULE (2015193-006)
- 9.3 RS232 COMM MODULE (2015192-005)
- 9.4 UFLO COMM TERM WITH I/O PCBA (2101059-001/-002/-003)

HAZARDOUS AREA CLASS I, ZONE 2, II B

HAZARDOUS AREA CLASS I, ZONE 1, II B  
CLASS I, ZONE 2, II B  
OR  
NON-HAZARDOUS AREA

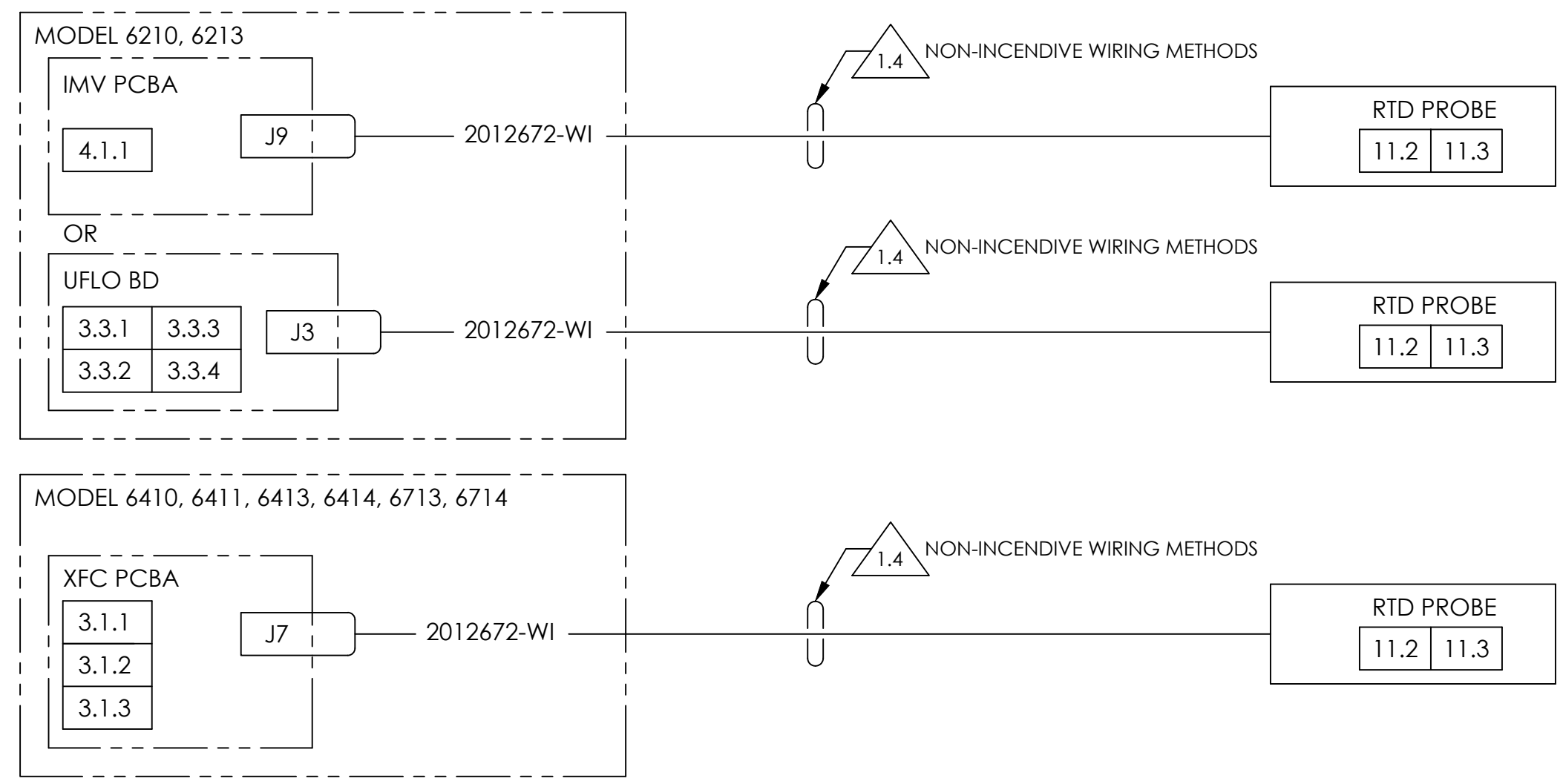


11 RTD PROBE OPTION

- 11.1 WITHOUT RTD
- 11.2 2011905-001 THRU -005 & -001 THRU -016 RTD PROBE, SST ARMOR, 50FT MAX
- 11.3 2011905-021 THRU -026 RTD PROBE, SST MESH, 50FT MAX

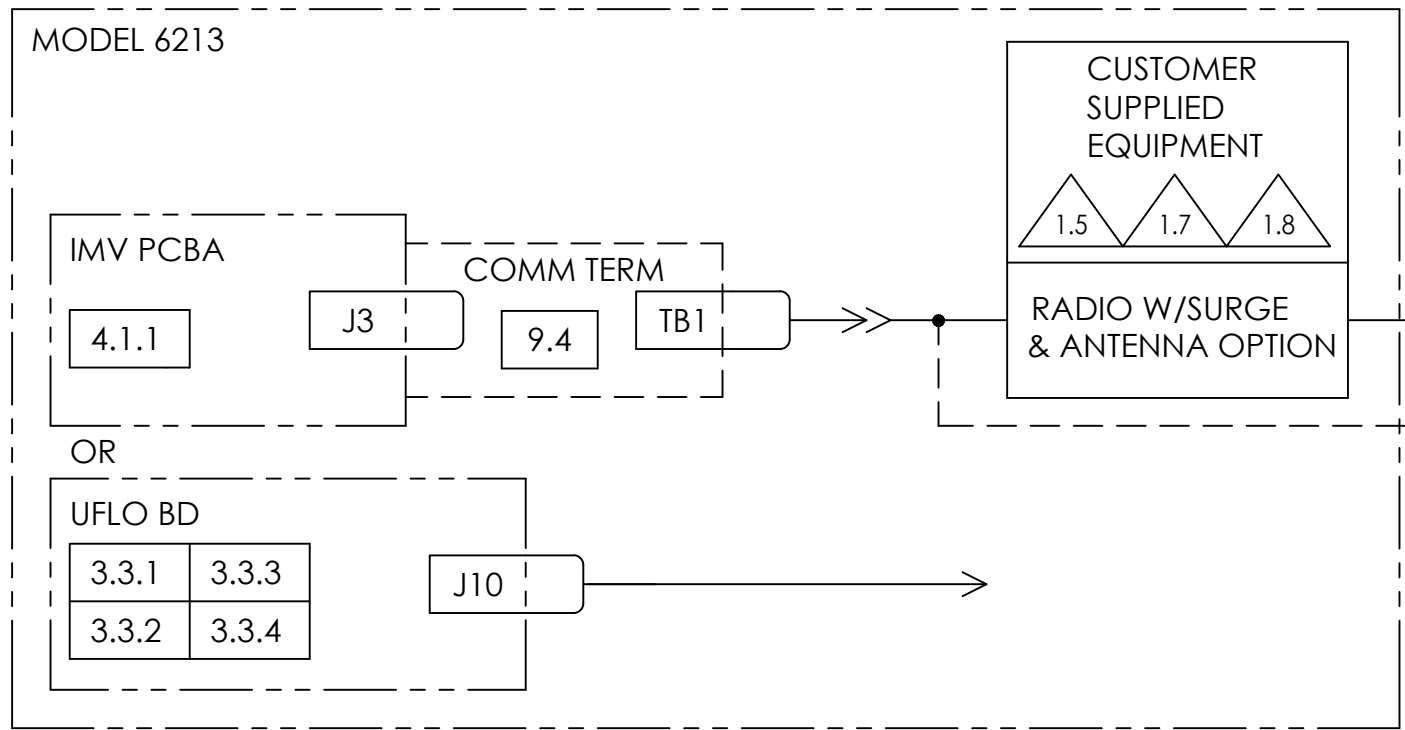
HAZARDOUS AREA  
CLASS I, ZONE 2, II B

HAZARDOUS AREA  
CLASS I, ZONE 1, II B  
CLASS I, ZONE 2, II B  
OR  
NON-HAZARDOUS  
AREA



HAZARDOUS AREA  
CLASS I, ZONE 2, II B

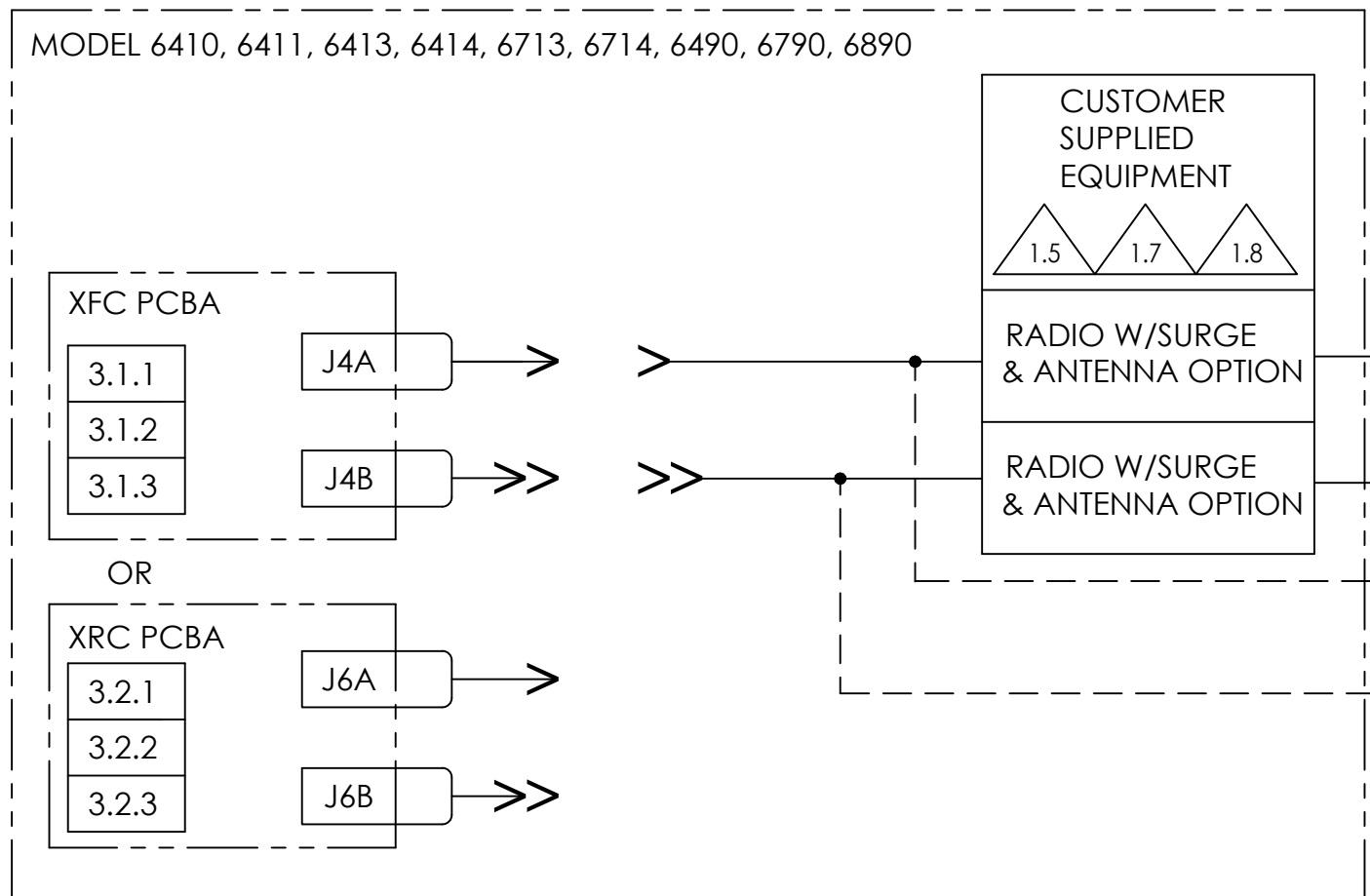
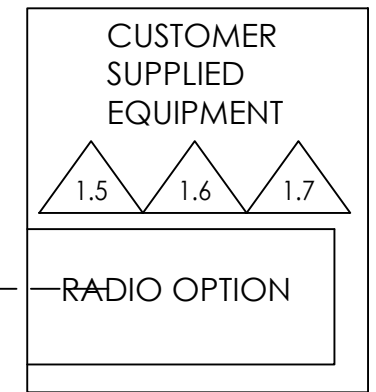
HAZARDOUS AREA  
CLASS I, ZONE 1, II B  
CLASS I, ZONE 2, II B  
OR  
NON-HAZARDOUS  
AREA



ANTENNA (PER RADIO MANUFACTURER)

CONDUIT OR APPROVED CABLE  
1.4

BOUNDARY SEAL  
1.4

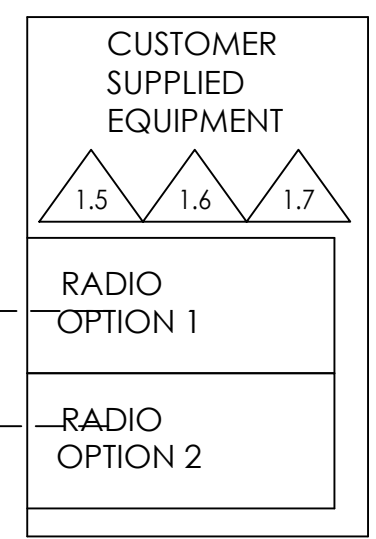


ANTENNA (PER RADIO MANUFACTURER)

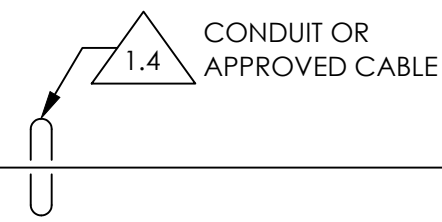
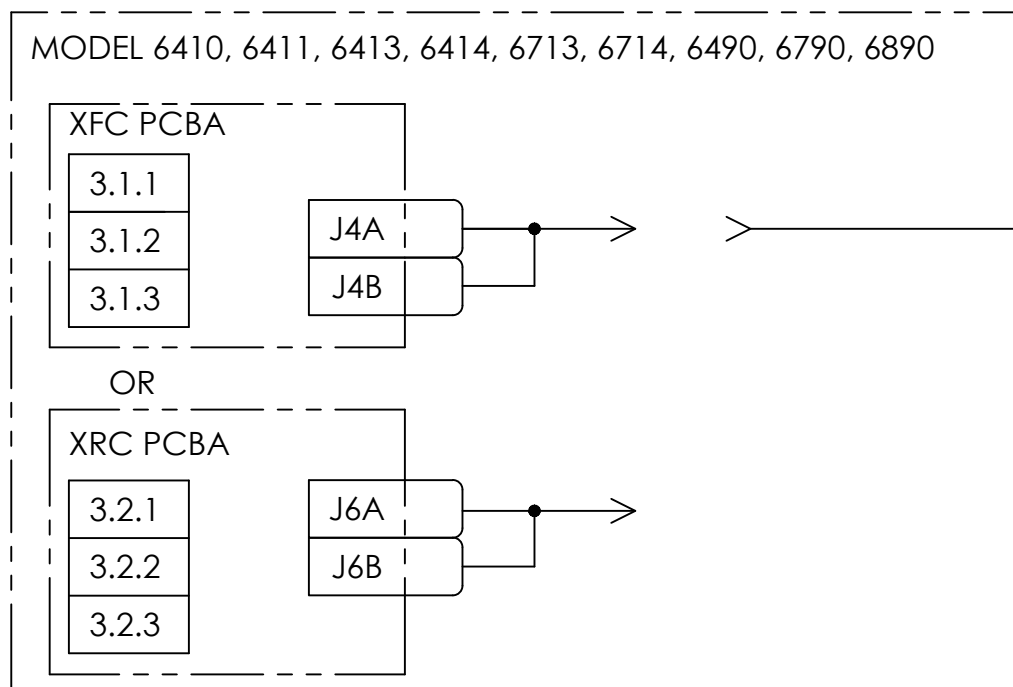
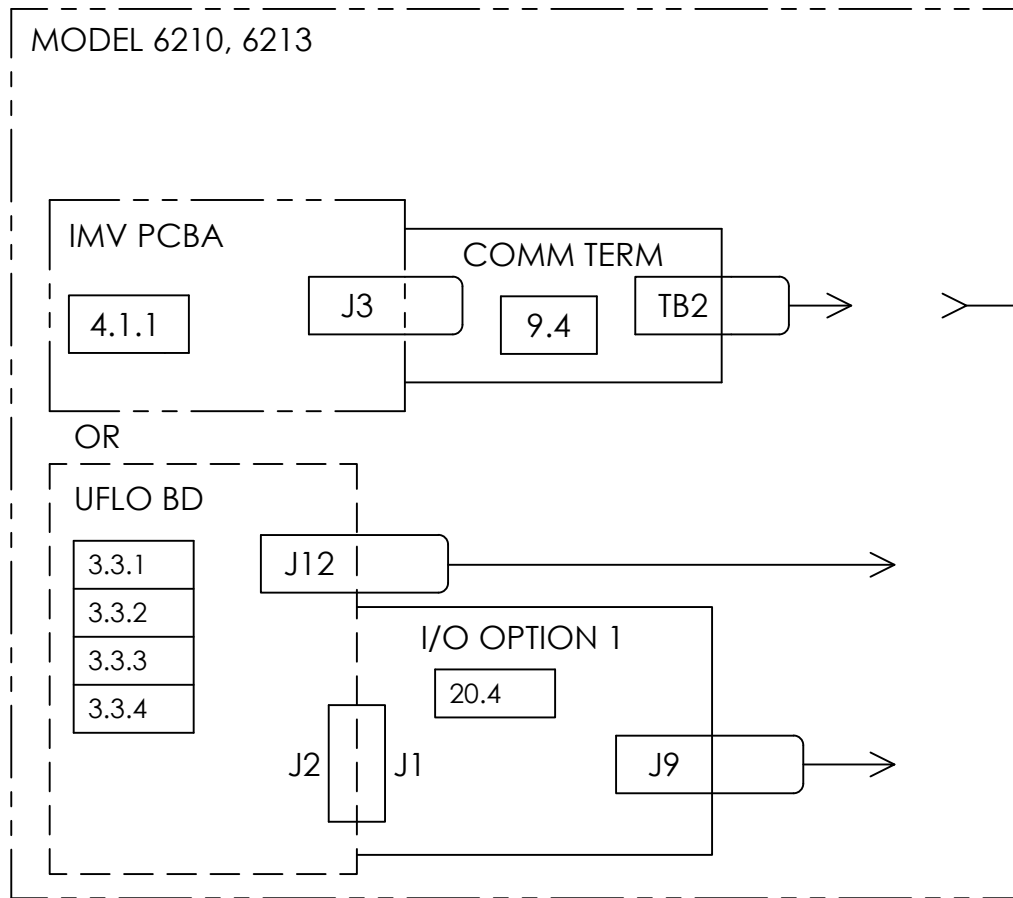
ANTENNA (PER RADIO MANUFACTURER)

CONDUIT OR APPROVED CABLE  
1.4

BOUNDARY SEAL  
1.4

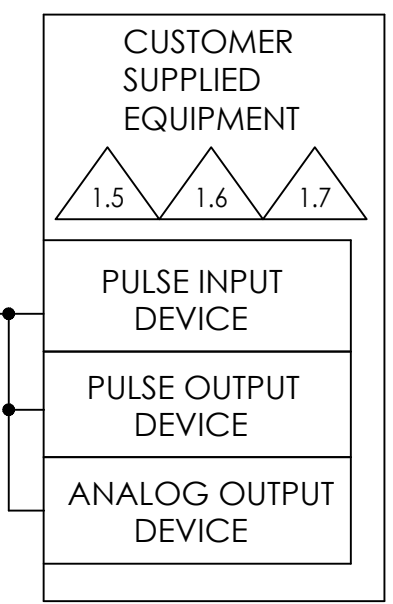
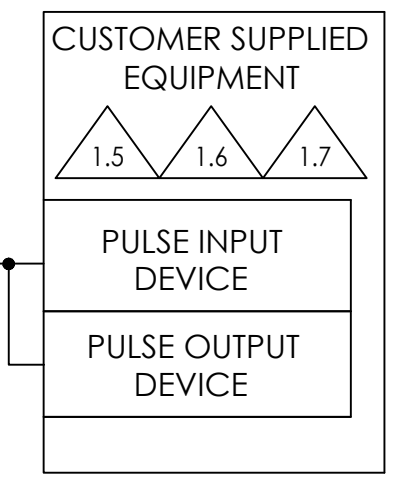


14 PULSE OPTIONS



HAZARDOUS AREA  
CLASS I, ZONE 2, II B

HAZARDOUS AREA  
CLASS I, ZONE 1, II B  
CLASS I, ZONE 2, II B  
OR  
NON-HAZARDOUS AREA



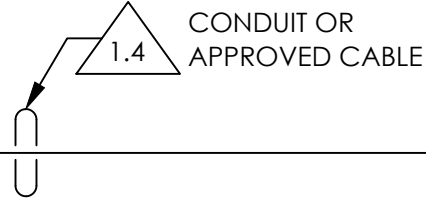
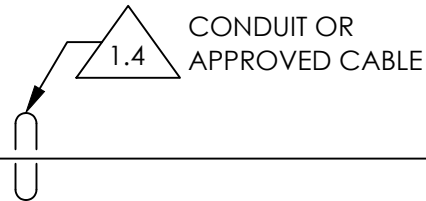
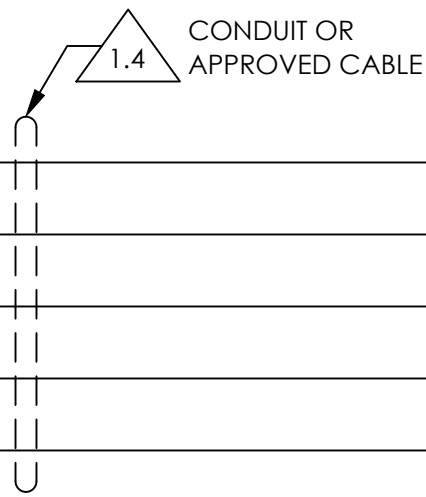
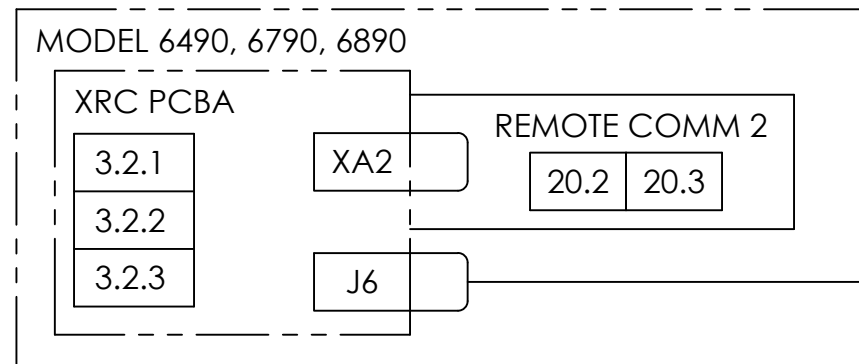
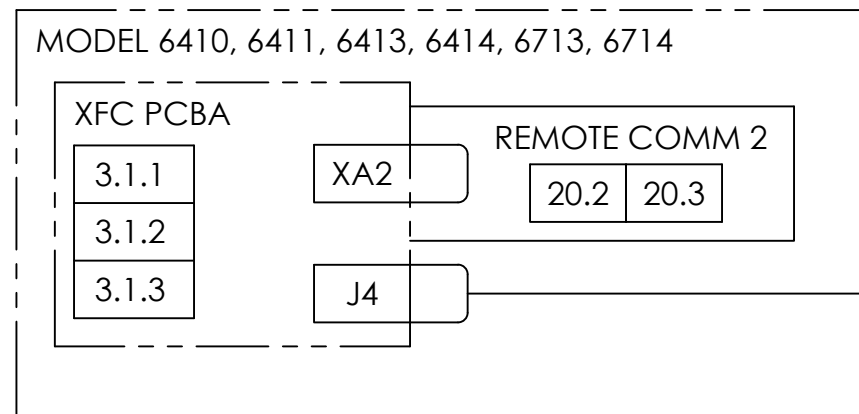
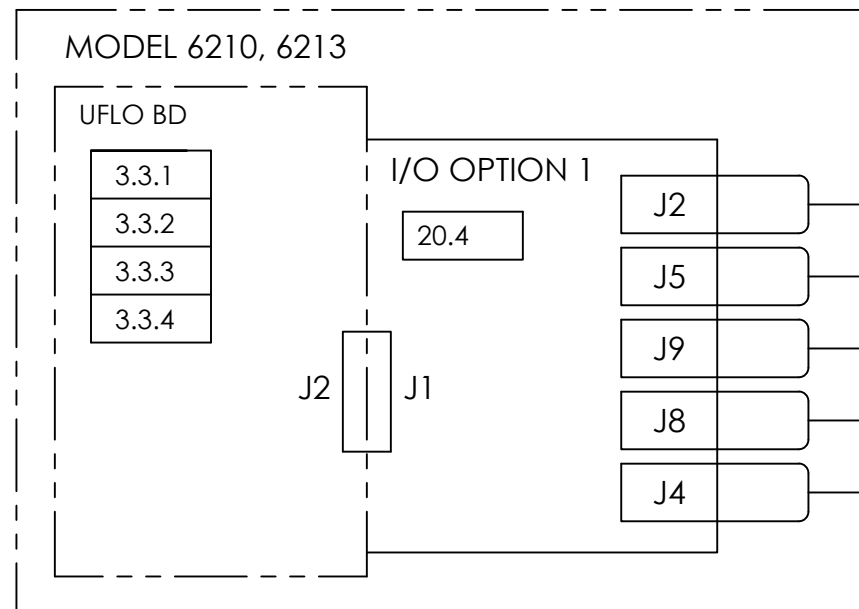
20

REMOTE COMM 2

- 20.1 WITHOUT MODULE
- 20.2 RS485 COMM MODULE (2015193-006)
- 20.3 RS232 COMM MODULE (2015192-005)
- 20.4 2104395-001 I/O OPTION 1 (COMMUNICATIONS) PCBA

HAZARDOUS AREA CLASS I, ZONE 2, II B

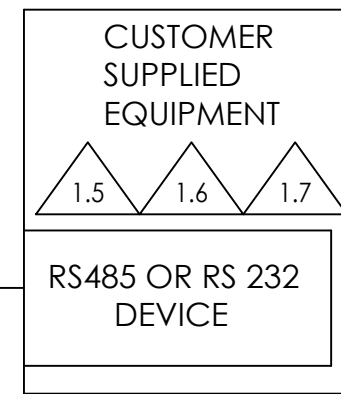
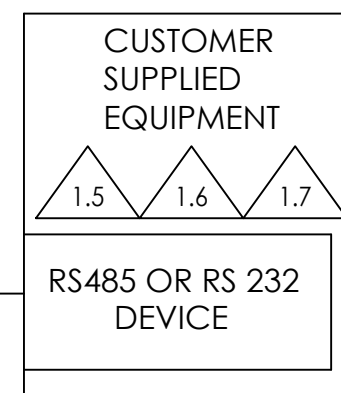
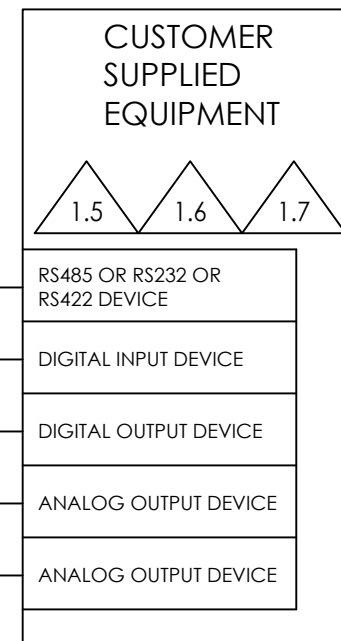
HAZARDOUS AREA CLASS I, ZONE 1, II B CLASS I, ZONE 2, II B OR NON-HAZARDOUS AREA



BOUNDARY SEAL

BOUNDARY SEAL

BOUNDARY SEAL





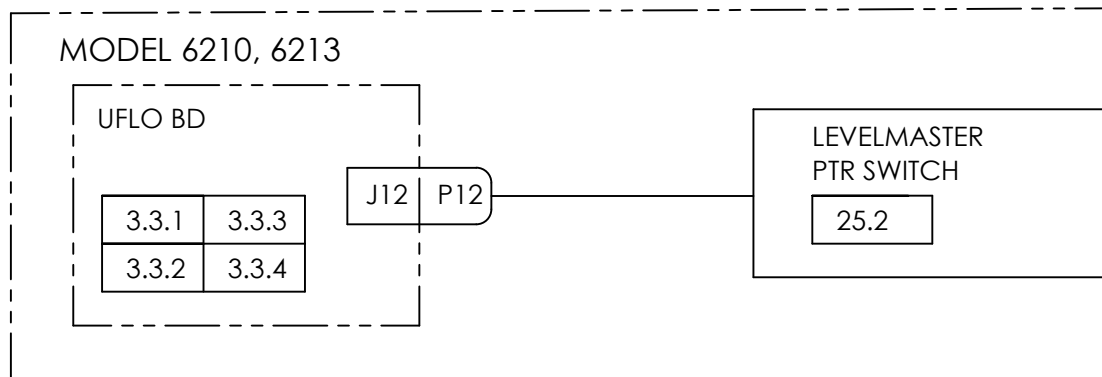
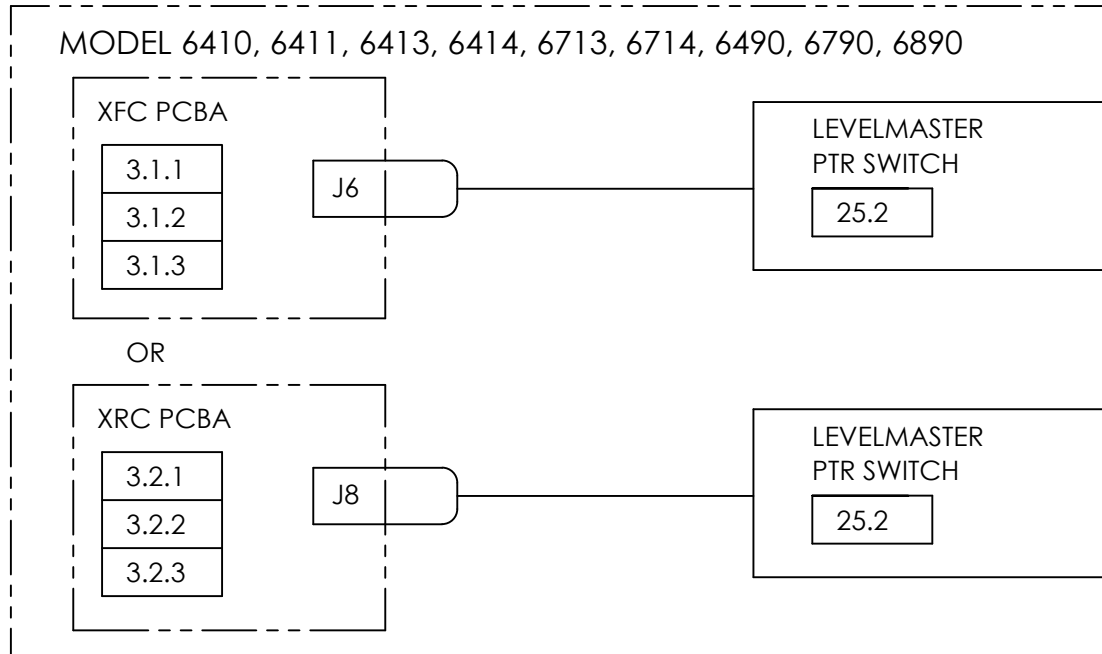
25 LEVELMASTER PTR SWITCH OPTION

25.1 WITHOUT OPTION

25.2 LEVELMASTER PTR SWITCH, NORMALLY OPEN (2100238-XXX)

HAZARDOUS AREA  
CLASS I , ZONE 2, II B

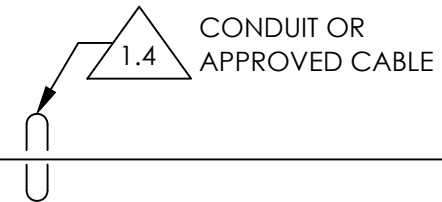
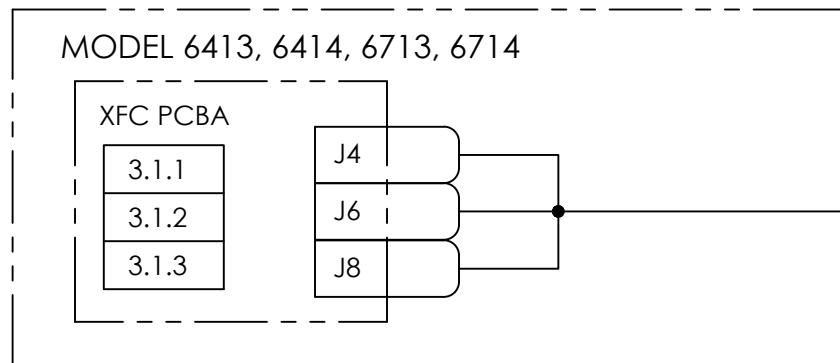
HAZARDOUS AREA  
CLASS I, ZONE 1, II B  
CLASS I, ZONE 2, II B  
OR  
NON-HAZARDOUS  
AREA



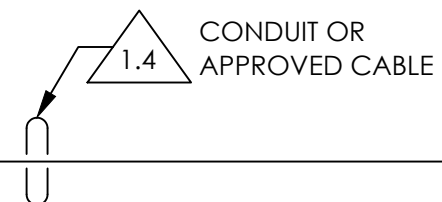
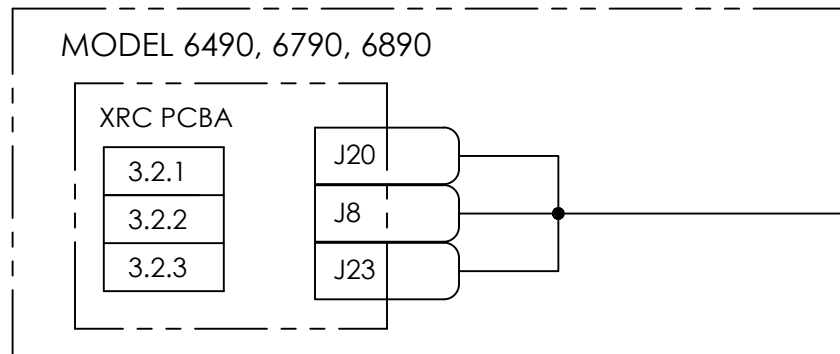
27 VALVE CONTROL OPTION

HAZARDOUS AREA  
CLASS I , ZONE 2, II B

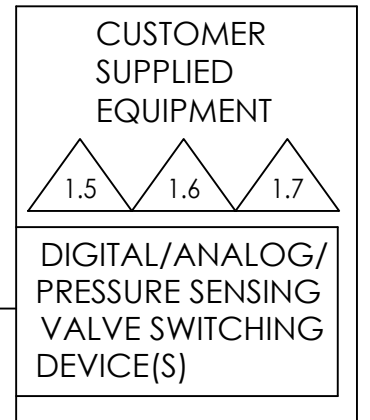
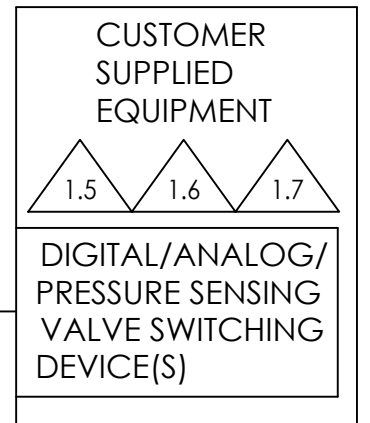
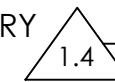
HAZARDOUS AREA  
CLASS I, ZONE 1, II B  
CLASS I, ZONE 2, II B  
OR  
NON-HAZARDOUS  
AREA



BOUNDARY SEAL



BOUNDARY SEAL



28 I/O MODULE KIT

28.1	W/O OPTION
28.2	I/O MODULE MTG KIT (MAXIMUM 3 MODULES, ANY COMBINATION FOR MODELS 6413, 6414, 6490)
28.3	I/O MODULE MTG KIT (MAXIMUM 6 MODULES, ANY COMBINATION FOR MODELS 6713, 6714, 6790)
28.4	I/O MODULE MTG KIT (MAXIMUM 14 MODULES, ANY COMBINATION FOR MODEL 6890)
28.5	TFIO I/O MODULES
28.5.1	2100543-008, -009, 8/COMBO DIGITAL
28.5.2	2100415-005, 4/AO (4-20 mA)
28.5.3	2100421-003, COMM INTERFACE
28.5.4	2100418-005, 8/AI (TYPE II)
28.5.5	2100412-007, VALVE CONTROL INTERFACE
28.5.6	2101018-004, 4/100 OHM RTD
28.5.7	2100869-004, 4 THERMOCOUPLE

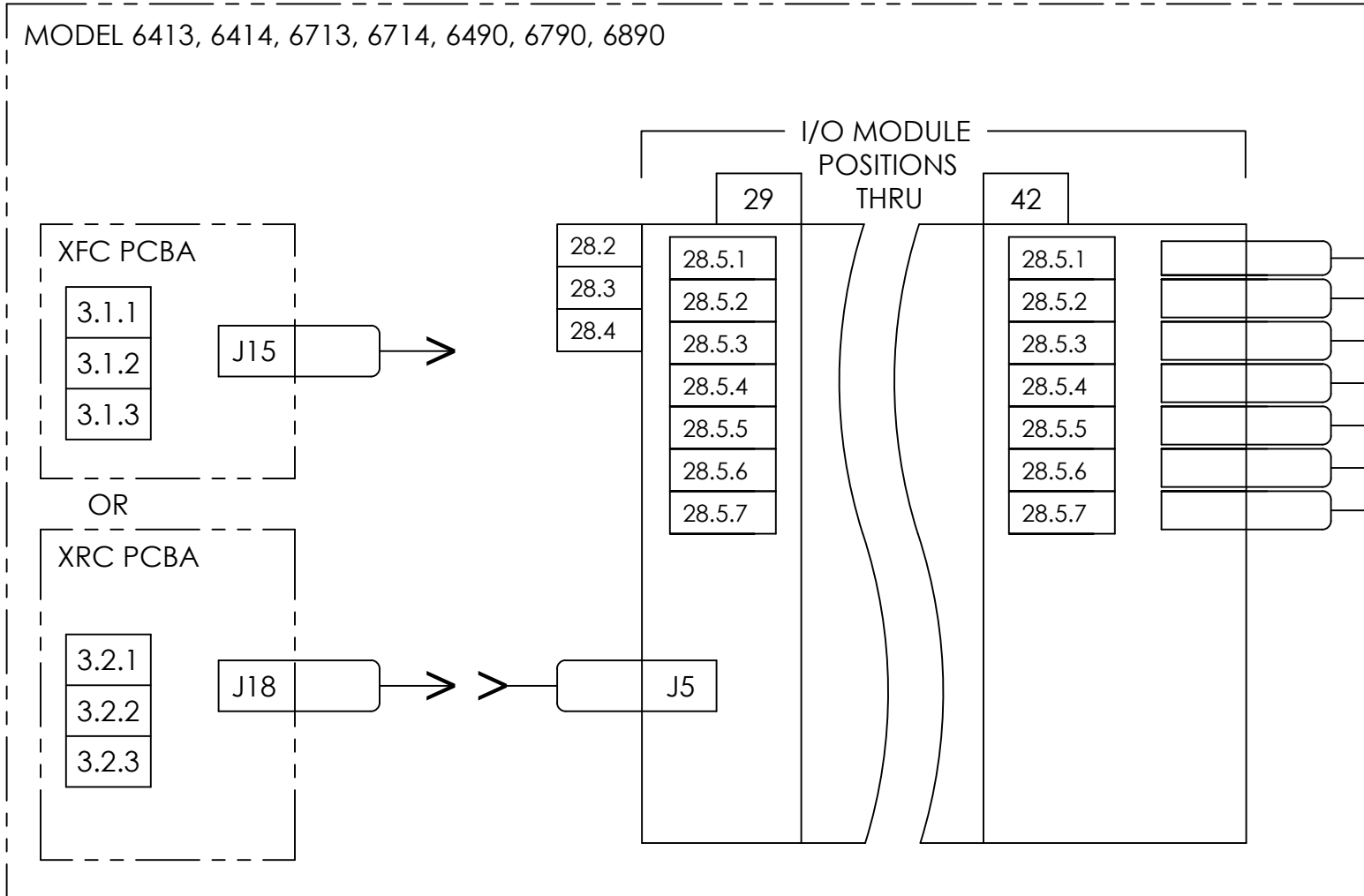
29	THRU	31	I/O MODULE POSITIONS 1 OR UP TO 3 (FOR 6413, 6414, 6490)
29	THRU	34	I/O MODULE POSITIONS 1 OR UP TO 6 (FOR 6713, 6714, 6790)
29	THRU	42	I/O MODULE POSITIONS 1 OR UP TO 14 (FOR 6890)

HAZARDOUS AREA  
CLASS I , ZONE 2, II B

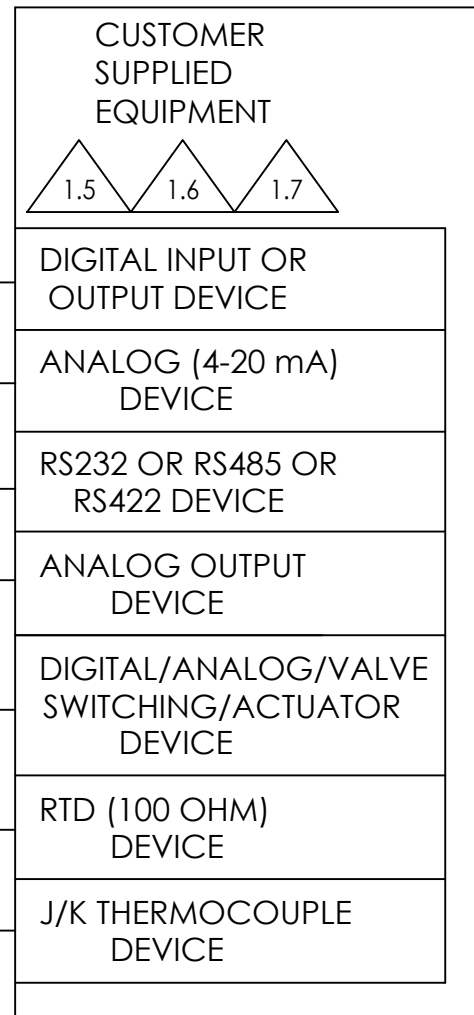
HAZARDOUS AREA  
CLASS I, ZONE 1, II B  
CLASS I, ZONE 2, II B  
OR  
NON-HAZARDOUS  
AREA

HAZARDOUS AREA  
CLASS I, ZONE 2, II B

HAZARDOUS AREA  
CLASS I, ZONE 1, II B  
CLASS I, ZONE 2, II B  
OR  
NON-HAZARDOUS  
AREA



1.4 CONDUIT OR APPROVED CABLE



BOUNDARY SEAL 1.4