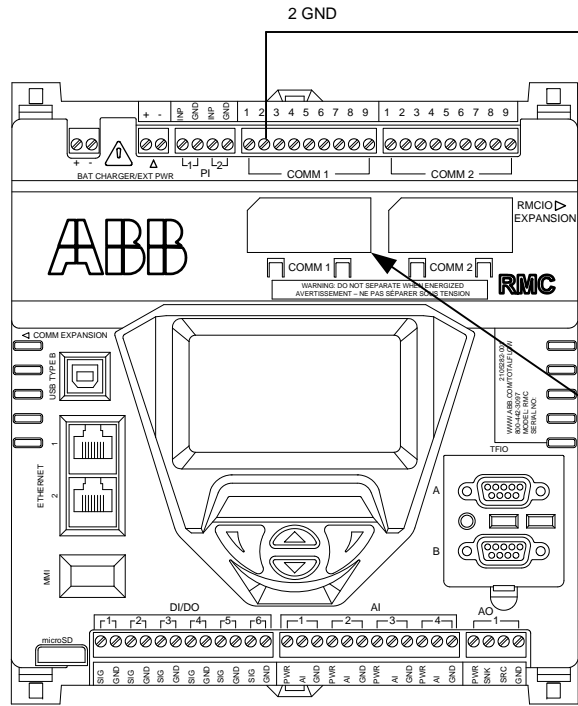


NOTES:

1. **WARNING:** This drawing does not illustrate the installation methods required for hazardous locations. Prior to any installation in a Classified Hazardous Location, verify installation methods by the Control Drawing referenced on the product's name tag and national and local codes.
2. This is for a 24V power supply system.
3. Termination methods for COMM ports 1 and 2 are the same. All notes apply.
4. In this configuration COMM 1 may only be used to communicate with the listed devices. Use COMM 2 for other devices.
5. The RMC requires TFIO modules with the M2 designation to operate at 12 and 24 volts. All other functions of the module are the same.



RMC (2105350) Board

RMC COMM PORT PINOUTS			
PIN	RS-232	RS-422	RS-485
1	Voltage Out (VOUT)	Voltage Out (VOUT)	Voltage Out (VOUT)
2	Ground (GND)	Ground (GND)	Ground (GND)
3	Switched voltage (Sw VOUT)	Switched voltage (Sw VOUT)	Switched voltage (Sw VOUT)
4	Operate (OPER)	Operate (OPER)	Operate (OPER)
5	Remote request to send (RRTS)	Remote request to send (RRTS)	Remote request to send (RRTS)
6	Request to send (RTS)	Transmit bus+ (TBUS+)	Transmit bus+ (TBUS+)
7	Transmit data (TX)	Transmit bus- (TBUS-)	Transmit bus- (TBUS-)
8	Receive Data (RX)	Receive bus+ (RBUS+)	Not Used
9	Clear to send (CTS)	Receive bus- (RBUS-)	Not Used

For a COMM port to be activated the COMM module (Part # 2105236-001) must be in the slot for the appropriate COMM port. The module is software selectable for communication protocol type.

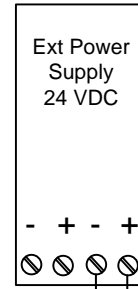
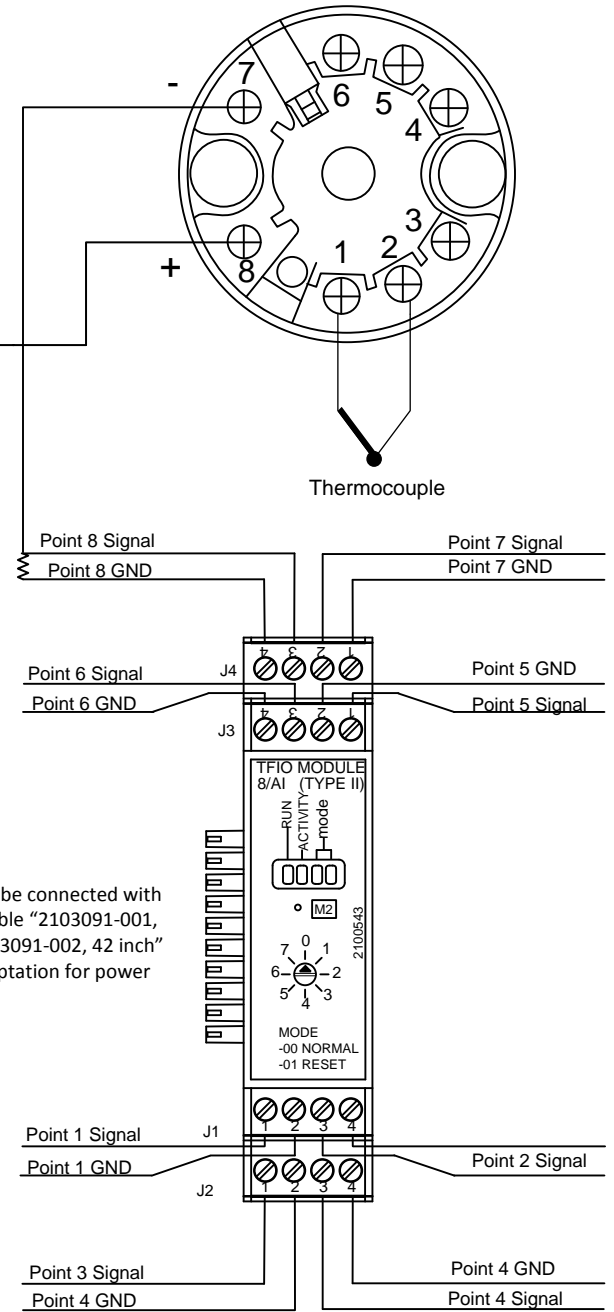


ABB TTH300 Temperature Transmitter



TFIO Module to be connected with a IO Module Cable "2103091-001, 24 inch" or "2103091-002, 42 inch" to J18 for adaptation for power

REF: NA



TOTALFLOW
Products

ACTION
L36372

DOC TYPE
UD

TITLE
RMC (2105350 BD) TFIO AI MODULE TO TTH300
TEMPERATURE TRANSMITTER WITH 24V POWER

DWG NO.
2105597

REV
AA

SHEET
1 OF 1