

## CPT-IK-5

### 5 kVA indoor control power transformer



The CPT-IK-5 is an indoor, self-cooled, single-phase, dry-type control power transformer designed to provide control power in medium voltage switchgear.

#### Product features

- Completely dry-type transformer cast in epoxy, eliminating oil
- 5 kV class: 60 kV BIL
- 15 kV class: 95 kV BIL
- 55°C rise @ 30°C average daily ambient
- All secondary outputs 120/240 V
- Primary inputs 2400 V to 14400 V with multiple taps
- Meets all dielectric test requirements of IEEE 57.13, including full-wave and chopped-wave impulse tests
- Approximate weight: 130 lbs. (59 kg)
- UL Recognized Component: File No. E244068

#### Application

The CPT-IK is an indoor, self-cooled, single-phase, dry-type control power transformer designed to provide control power in medium voltage switchgear. Nominal primary voltages range from 2.4 kV to 14.4 kV at 60 Hertz. Secondary voltages are configured for series/parallel operation at 120 V or 240 V.

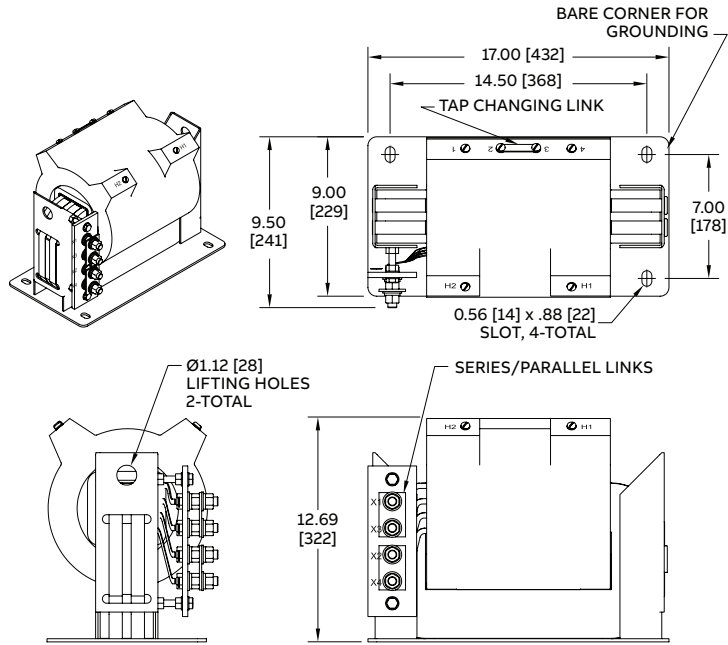
The CPT-IK is used in an ambient temperature of 30°C for full kVA rating or 55°C for 86% of full kVA rating. Styles in addition to those listed in this bulletin are available upon request.

#### Construction features

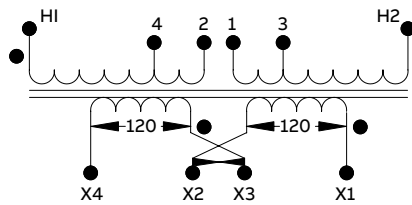
The core is wound with grain-oriented electrical steel for low losses. The high-voltage coil is vacuum encapsulated in epoxy to seal out moisture and contaminants, and to provide a higher ability to withstand short-circuit forces than conventional dry type transformers.

The secondary terminals are 1/2"-13 brass bolts supplied with series/parallel copper links. Primary terminals are 1/4"-20 brass screws. Primary tap terminals are 1/4"-20 brass screws or #10 brass screws, depending on the design selected, and are supplied with a copper link. The frame is made of zinc plated steel.

## 4 in-line tap configuration



Outline drawing D146



Connection A:  $\pm 7 - 1/2\%$  primary taps

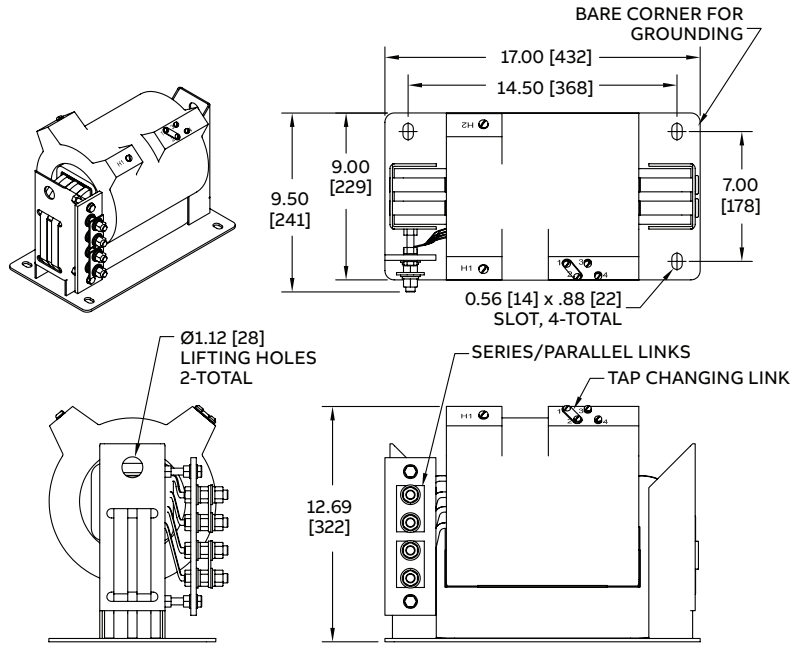
% rated voltage	Connect HV link
107.5	1 - 2
100	2 - 3
92.5	3 - 4

### Selection guide

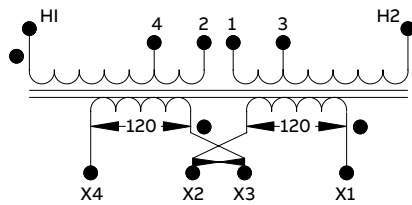
Style number	kVA	Voltage class (kV)	Primary rating	Secondary voltage	Taps
CPTA6052400D146	5	5	2400	120/240	A
CPTA6054160D146	5	5	4160	120/240	A
CPTA6054800D146	5	5	4800	120/240	A
CPTA9557200D146	5	15	7200	120/240	A
CPTA9558400D146	5	15	8400	120/240	A
CPTA95512000D146	5	15	12000	120/240	A
CPTA95512470D146	5	15	12470	120/240	A
CPTA95513200D146	5	15	13200	120/240	A
CPTA95513800D146	5	15	13800	120/240	A
CPTA95514400D146	5	15	14400	120/240	A

Note: Dimensions in all outline drawings are displayed in inches [mm].

#### 4 multi-tap configuration



Outline drawing D148



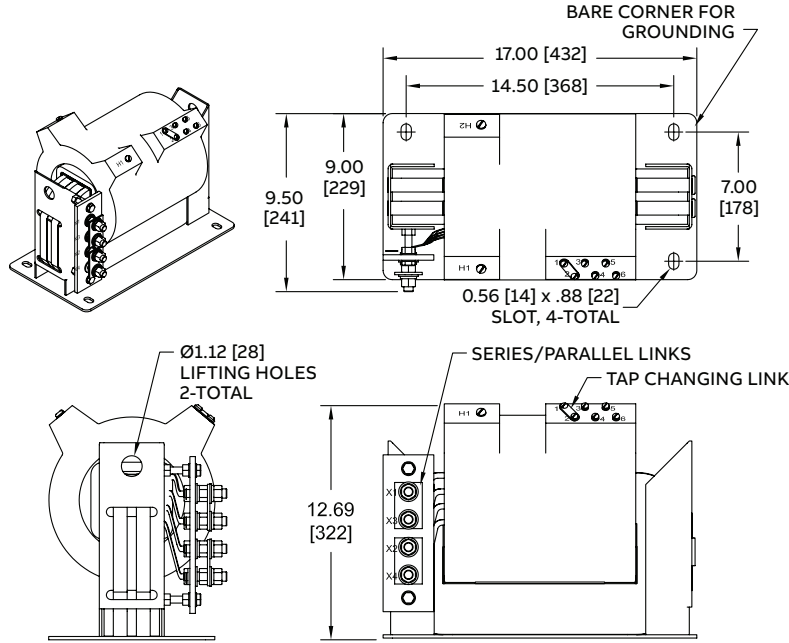
Connection A:  $\pm 7 - 1/2\%$  primary taps

% rated voltage	Connect HV link
107.5	1 - 2
100	2 - 3
92.5	3 - 4

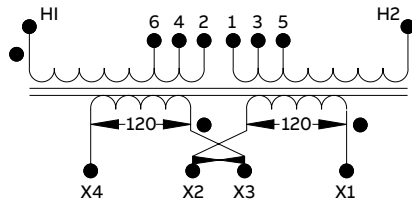
#### Selection guide

Style number	kVA	Voltage class (kV)	Primary rating	Secondary voltage	Taps
CPTA6052400D148	5	5	2400	120/240	A
CPTA6054160D148	5	5	4160	120/240	A
CPTA6054800D148	5	5	4800	120/240	A
CPTA9557200D148	5	15	7200	120/240	A
CPTA9558400D148	5	15	8400	120/240	A
CPTA95512000D148	5	15	12000	120/240	A
CPTA95512470D148	5	15	12470	120/240	A
CPTA95513200D148	5	15	13200	120/240	A
CPTA95513800D148	5	15	13800	120/240	A
CPTA95514400D148	5	15	14400	120/240	A

## 6 multi-tap configuration



Outline drawing D150



Connection B:  $2 \pm 2 - 1/2\%$  primary taps

% rated voltage	Connect HV link
105	1 - 2
102.5	2 - 3
100	3 - 4
97.5	4 - 5
95	5 - 6

### Selection guide

Style number	kVA	Voltage class (kV)	Primary rating	Secondary voltage	Taps
CPTB6052400D150	5	5	2400	120/240	B
CPTB6054160D150	5	5	4160	120/240	B
CPTB6054800D150	5	5	4800	120/240	B
CPTB9557200D150	5	15	7200	120/240	B
CPTB9558400D150	5	15	8400	120/240	B
CPTB95512000D150	5	15	12000	120/240	B
CPTB95512470D150	5	15	12470	120/240	B
CPTB95513200D150	5	15	13200	120/240	B
CPTB95513800D150	5	15	13800	120/240	B
CPTB95514400D150	5	15	14400	120/240	B

---

ABB Inc.  
3022 NC 43 North  
Pinetops, NC 27864  
Phone: +1 252 827 3212

[abb.com/mediumvoltage](http://abb.com/mediumvoltage)

---

We reserve the right to make technical changes or modify the contents of this document without prior notice. With regard to purchase orders, the agreed particulars shall prevail. ABB Inc. does not accept any responsibility whatsoever for potential errors or possible lack of information in this document.

We reserve all rights in this document and in the subject matter and illustrations contained therein. Any reproduction, disclosure to third parties or utilization of its contents – in whole or in parts – is forbidden without prior written consent of ABB Inc.  
Copyright© 2019 ABB  
All rights reserved