

Busch-IKLight®


LED-Light Option,
vandal resistant
8452/...

EN Installation manual / User manual
Read carefully and keep in a safe place

Warning

Electric voltage !

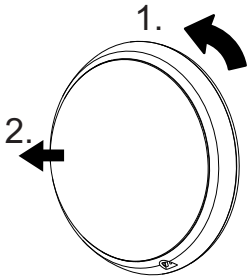
Risk of death and fire due to electrical voltage of 230 V
– Work on the 230 V supply system may only be performed by authorised electricians!
– Disconnect the mains power supply prior to installation and/or disassembly!

Advice

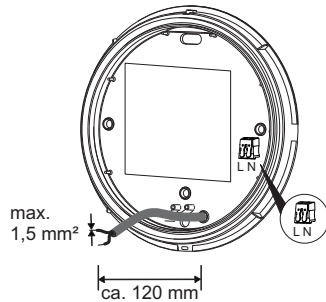

– The protection class IP44 is ensured at wall and ceiling installation.

Technical data

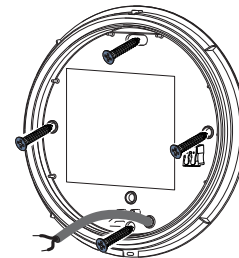
Nominal voltage	230 V ~, ±10%	Light source	LED-module
Frequency	50 Hz – 60 Hz	Color temperature	4000° K
Power consumption	ca. 21 W	Color rendering index	> 80 (Group 1B)
Power loss	< 0,3 W	Luminous flux LED-module	1300 lm
Operating temperature	-20° bis +35°C	Light output ratio	67%
Protection class	IP44 / Class 2	Fixture luminous flux	900 lm
Impact resistance	IK10	Light output	43 lm/W
Glow wire test	650° C	Lifetime	ca. 50.000 h

Installation / Connection


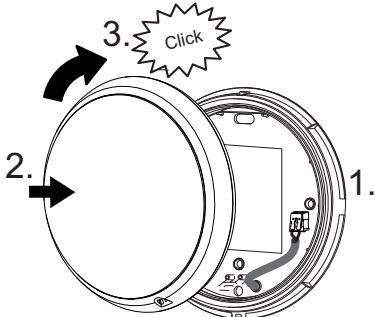
Twist the diffuser to the left and demount it carefully.



Insert the connecting cable through one of the liners.

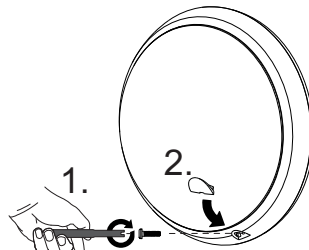


Fix the device base with suitable screws to the wall or ceiling.

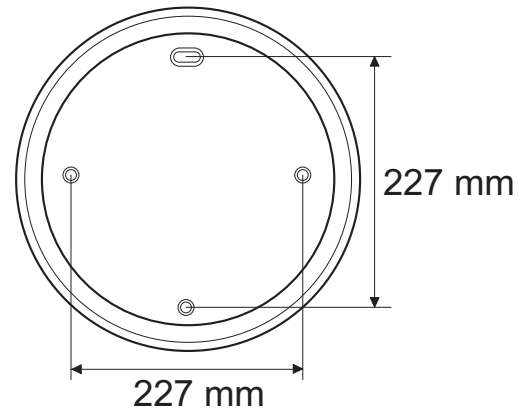


Connect the cable to the terminals at the base.

Put the diffuser back on the base and twist it to the right until it clicks into place.



Secure the device with the special screw against vandalism.

Keep the supplied mounting tool for disassembling in a safe place!

Service

Busch-Jaeger Elektro GmbH – A company of the ABB-Group, Freisenbergstraße 2, D-58513 Lüdenscheid
Central sales service Tel: +49-2351-956-1600, www.BUSCH-JAEGER.com