
PRODUCT BROCHURE

T&B[®] Fittings sand cast aluminum form 7 conduit bodies



T&B Fittings® sand cast aluminum form 7 conduit bodies

Superior corrosion protection

T&B Fittings sand cast aluminum form 7 conduit bodies feature the best-in-class CorroStall™ sand cast aluminum alloy material for both the conduit bodies and cast covers. Known worldwide as the most corrosion-resistant aluminum alloy, this material offers the highest degree of corrosion protection and long lasting performance in extreme environments.

After 1,200 hours of 5% salt fog test, these conduit bodies and cast covers are free of red rust and surface pitting.

High performance castings offer a smooth surface in and out. There is no paint that could flake off, which is especially important in applications where contamination is a major concern, such as the food and beverage and pharmaceutical industries.

Using stainless steel screws and bonded sealing stainless steel washers for both cast and stamped covers offers additional protection against the devastating effects of corrosion. Neoprene is bonded to the stainless steel washer to provide sealing and to separate the screw and washer from the cover to reduce the risk of galvanic corrosion caused by dissimilar metals.

For added convenience, both the stamped and cast covers come standard with gaskets, stainless steel screws and bonded sealing stainless steel washers to reduce inventory and the chance of misplacing gaskets. The cover gaskets are the same as those used for the steel covers on the T&B Fittings BlueKote® conduit bodies. Covers are interchangeable with primary competitors' covers.



Unique to the T&B Fittings covers, the clips are also made out of aluminum, not steel, which dramatically increases the life span of the product in corrosive environments.

Salt-fog chamber test results

T&B Fittings covers and two leading competitors after 72-hour 5% salt-fog chamber test



The T&B Fittings sand cast cover shows no signs of pitting or red rust either inside or out.



Covers by competitor 1 and Competitor 2 covers already show obvious signs of red rust around the clips.

T&B Fittings covers and two leading competitors after 1,200-hour 5% salt-fog chamber test



The T&B Fittings sand cast covers still shows no signs of pitting or red rust either inside or out. Only salt deposits.



Competitor 1 covers have been heavily affected by red rust inside and out.



Competitor 2 covers have also been heavily affected by red rust both in and out, despite an additional paint layer.

Salt-fog chamber test results

Product highlights

- CorroStall™ aluminum alloy material for conduit bodies and cast covers provides the highest level of corrosion protection, with 1,200 hours in salt fog solution at 5% pit free.
- No additional paint eliminates the risk of flaking and contamination.
- Aluminum cover clips ensure superior corrosion protection for covers and eliminate the risk of red rust.
- Stainless steel screws and bonded sealing stainless steel washers (standard) on cast and stamped covers further increase protection against corrosion.
- Neoprene is bonded to the stainless steel washer to provide sealing and to separate the screw and washer from the cover to reduce the risk of galvanic corrosion caused by dissimilar metals.
- Covers come standard with gaskets to reduce inventory.
- Both cast covers and stamped covers available.
- Covers are interchangeable with main competitor covers.

T&B Fittings conduit bodies and competitor's after 1,200-hour 5% salt-fog chamber test



The T&B Fittings conduit bodies are free of any pitting inside and out—only salt deposits.



The T&B Fittings conduit bodies display clean threads with only salt deposits.



Competitor 2 conduit bodies show signs of pitting and paint flaking.

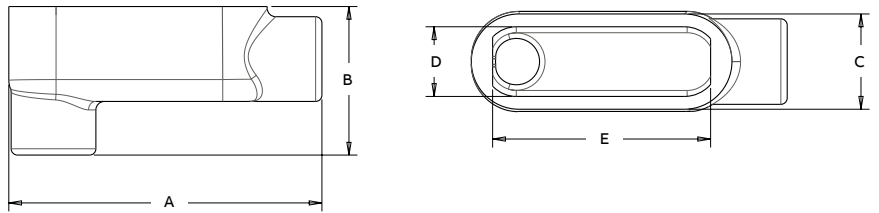
Product specifications

LB sand cast aluminum form 7 conduit bodies



Cat. no.	Hub size (in.)	Dimensions (in.)						Cu. in.	Std. pkg. qty.	UPC no.
		A	B	C	D	E				
LB17SA	½	4.63	2.19	1.41	1.03	3.19	4.2	25	786210-103419	
LB27SA	¾	5.25	2.47	1.59	1.22	3.81	6.8	20	786210-103426	
LB37SA	1	6.22	2.88	1.75	1.38	4.56	11.0	10	786210-103433	
LB47SA	1¼	6.59	3.34	2.19	1.81	5.03	19.5	20	786210-103440	
LB57SA	1½	6.97	3.59	2.44	2.06	5.44	25.6	10	786210-103457	
LB67SA	2	8.13	4.25	3.06	2.44	6.41	51.2	10	786210-103464	
LB77SA	2½	10.56	5.19	4.25	3.63	8.38	100.4	1	786210-103488	
LB87SA	3	10.66	6.03	4.25	3.63	8.38	126.2	1	786210-103532	
LB97SA	3½	11.06	6.69	5.25	4.44	10.25	219.0	1	786210-103594	
LB107SA	4	12.81	7.72	5.25	4.44	10.25	247.1	1	786210-103396	

Diagrams

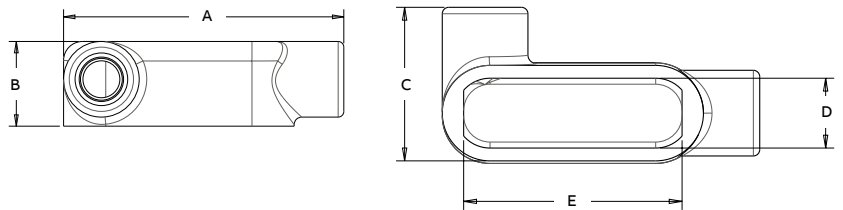


LL sand cast aluminum form 7 conduit bodies



Cat. no.	Hub size (in.)	Dimensions (in.)						Cu. in.	Std. pkg. qty.	UPC no.
		A	B	C	D	E				
LL17SA	½	4.38	1.41	2.25	1.03	3.19	4.5	25	786210-103617	
LL27SA	¾	5.31	1.63	2.44	1.19	3.81	7.2	20	786210-103693	
LL37SA	1	6.22	1.88	2.78	1.38	4.56	11.5	25	786210-103754	
LL47SA	1¼	6.63	2.31	3.22	1.81	5.03	20.0	20	786210-103761	
LL57SA	1½	6.97	2.56	3.47	2.06	5.44	28.0	10	786210-103778	
LL67SA	2	8.13	3.19	4.13	2.44	6.25	54.2	10	786210-103785	

Diagrams



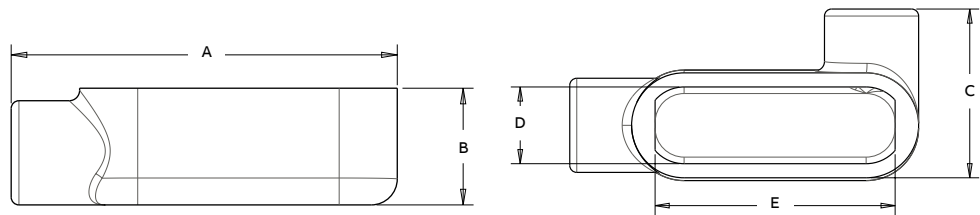
Product specifications

LR sand cast aluminum form 7 conduit bodies



Cat. no.	Hub size (in.)	Dimensions (in.)					Cu. in.	Std. pkg. qty.	UPC no.
		A	B	C	D	E			
LR17SA	½	4.38	1.41	2.25	1.03	3.19	4.5	25	786210-103792
LR27SA	¾	5.31	1.63	2.44	1.19	3.81	7.5	20	786210-103815
LR37SA	1	6.22	1.88	2.78	1.38	4.56	11.2	25	786210-103822
LR47SA	1¼	6.63	2.31	3.22	1.81	5.03	20.3	20	786210-103839
LR57SA	1½	6.97	2.56	3.47	2.06	5.44	27.8	20	786210-103853
LR67SA	2	8.13	3.19	4.13	2.44	6.25	54.0	10	786210-103914

Diagrams

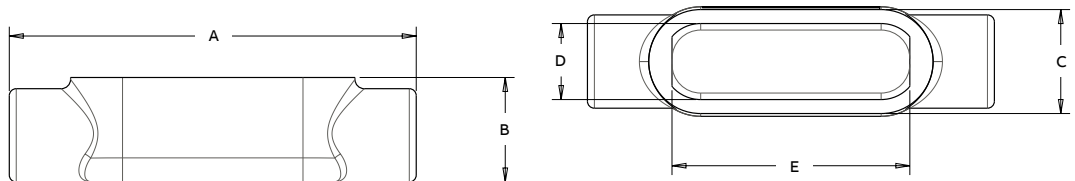


C sand cast aluminum form 7 conduit bodies



Cat. no.	Hub size (in.)	Dimensions (in.)					Cu. in.	Std. pkg. qty.	UPC no.
		A	B	C	D	E			
C17SA	½	5.44	1.41	1.41	1.00	3.19	4.8	25	786210-103297
C27SA	¾	6.16	1.63	1.59	1.22	3.81	7.5	25	786210-103310
C37SA	1	7.22	1.88	1.75	1.38	4.56	11.8	20	786210-103334
C47SA	1¼	7.63	2.31	2.19	1.91	5.03	19.8	20	786210-103341
C57SA	1½	8.00	2.56	2.44	2.06	5.44	27.8	10	786210-103358
C67SA	2	9.16	3.22	3.06	2.44	6.25	53.2	10	786210-103389

Diagrams

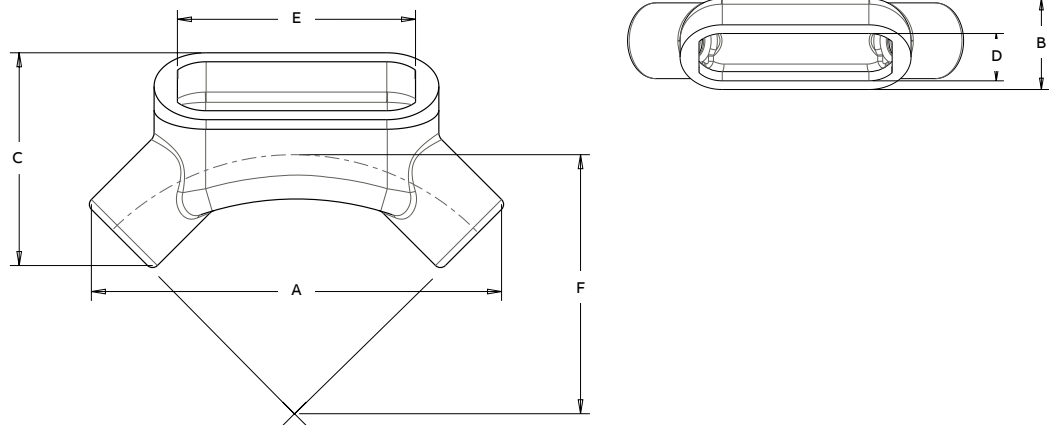


Product specifications

LU® sand cast aluminum form 7 conduit bodies

Cat. no.	Hub size (in.)	Dimensions (in.)						Cu. in.	Std. pkg. qty.	UPC no.
		A	B	C	D	E	F			
LU17SA	½	5.53	1.50	2.88	1.03	3.19	3.31	5.1	25	786210-103921
LU27SA	¾	6.28	1.72	3.22	1.22	3.81	3.75	8.7	20	786210-103945
LU37SA	1	7.34	1.97	3.78	1.38	4.56	4.41	13.4	10	786210-103983
LU47SA	1¼	8.38	2.47	4.34	1.81	5.03	4.91	23.8	20	786210-104034
LU57SA	1½	8.97	2.72	4.53	2.06	5.44	5.19	29.6	10	786210-104058
LU67SA	2	10.78	3.44	5.41	2.44	6.25	6.25	59.4	10	786210-104089

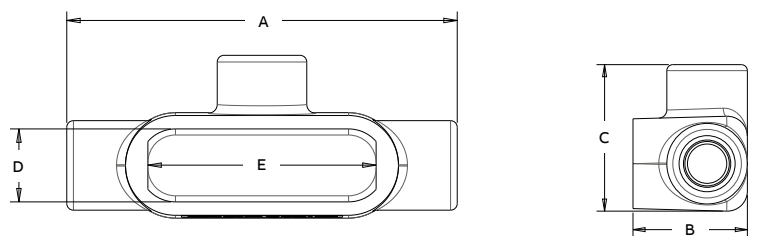
Diagrams



T sand cast aluminum form 7 conduit bodies

Cat. no.	Hub size (in.)	Dimensions (in.)					Cu. in.	Std. pkg. qty.	UPC no.
		A	B	C	D	E			
T17SA	½	5.44	1.78	2.28	1.03	3.19	5.5	20	786210-104188
T27SA	¾	6.16	2.00	2.59	1.22	3.81	9.1	10	786210-104195
T37SA	1	7.22	2.28	3.22	1.38	4.56	15.5	10	786210-104225
T47SA	1¼	7.63	2.31	3.22	1.81	5.03	20.1	20	786210-104300
T57SA	1½	8.00	2.56	3.47	2.06	5.44	27.1	10	786210-104317
T67SA	2	9.16	3.19	4.09	2.44	6.41	51.0	10	786210-104324
T77SA	2½	12.13	3.63	5.81	3.63	8.38	104.6	1	786210-104355
T87SA	3	12.28	4.41	5.91	3.63	8.38	135.2	1	786210-104362
T97SA	3½	14.44	4.91	6.94	4.44	10.25	230.0	1	786210-104379
T107SA	4	14.50	5.41	6.97	4.44	10.25	260.3	1	786210-104096

Diagrams



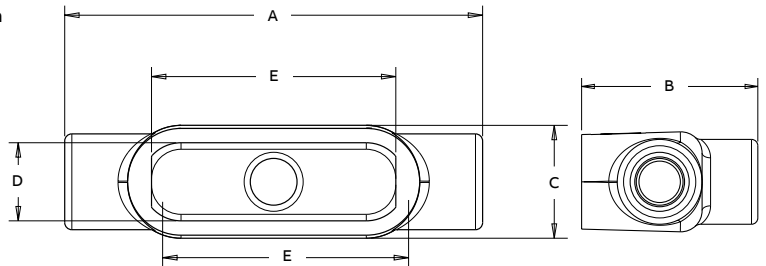
Product specifications

TB sand cast aluminum form 7 conduit bodies



Cat. no.	Hub size (in.)	Dimensions (in.)					Cu. in.	Std. pkg. qty.	UPC no.
		A	B	C	D	E			
TB17SA	½	5.44	2.59	1.50	1.03	3.19	5.6	5	786210-104386
TB27SA	¾	6.16	2.84	1.66	1.19	3.81	9.0	5	786210-104393
TB37SA	1	7.22	3.28	1.78	1.38	4.56	13.1	2	786210-104409
TB47SA	1¼	7.63	3.34	2.19	1.81	5.03	19.3	2	786210-104416
TB57SA	1½	8.00	3.59	2.44	2.06	5.44	25.0	2	786210-104423
TB67SA	2	9.16	4.25	3.06	2.44	6.41	51.6	2	786210-104430

Diagram

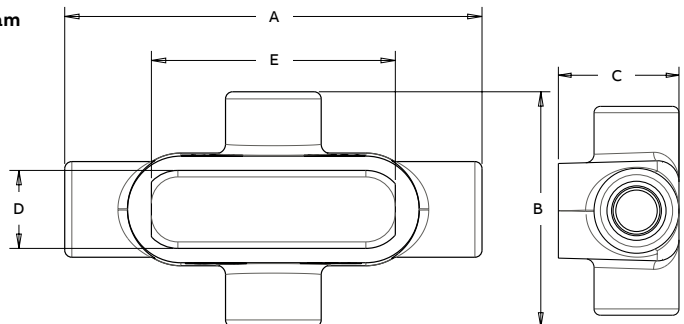


X sand cast aluminum form 7 conduit bodies

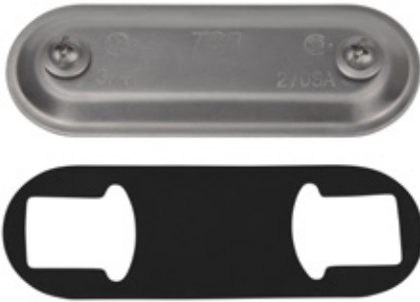


Cat. no.	Hub size (in.)	Dimensions (in.)					Cu. in.	Std. pkg. qty.	UPC no.
		A	B	C	D	E			
X17SA	½	5.44	3.06	1.78	1.03	3.19	5.8	10	786210-104447
X27SA	¾	6.16	3.44	2.00	1.22	3.81	10.3	10	786210-104454
X37SA	1	7.22	4.22	2.28	1.38	4.56	16.4	5	786210-104461
X47SA	1¼	7.63	4.25	2.31	1.81	5.03	21.3	5	786210-104478
X57SA	1½	8.00	4.50	2.56	2.06	5.44	28.6	5	786210-104485
X67SA	2	9.16	5.16	3.19	2.44	6.41	53.5	5	786210-104508

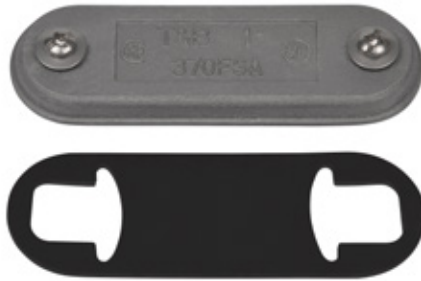
Diagram



Product specifications



Stamped aluminum



Sand cast aluminum

Covers for sand cast aluminum form 7 conduit bodies



Cat. no.	Hub size (in.)	Material	Std. pkg. qty.	UPC no.
170SA	½	Stamped aluminum	250	786210-104928
270SA	¾		100	786210-104935
370SA	1		100	786210-104966
470SA	1¼		100	786210-104973
570SA	1½		100	786210-104997
670SA	2		50	786210-105048
870SA	2½ – 3		5	786210-105055
970SA	3½ – 4		5	786210-105062
170FSA	½		Sand cast aluminum	200
270FSA	¾	200		786210-104829
370FSA	1	50		786210-104843
470FSA	1¼	50		786210-104850
570FSA	1½	50		786210-104874
670FSA	2	50		786210-104881
870FSA	2½ – 3	5		786210-104898
970FSA	3½ – 4	5		786210-104904

Note: Covers include gasket and stainless steel screws and washers.



ABB Inc.

Electrification Products

860 Ridge Lake Blvd.

Memphis, TN 38120

Customer Service: 800-816-7809

Technical Support: 888-862-3289

abb.com/lowvoltage