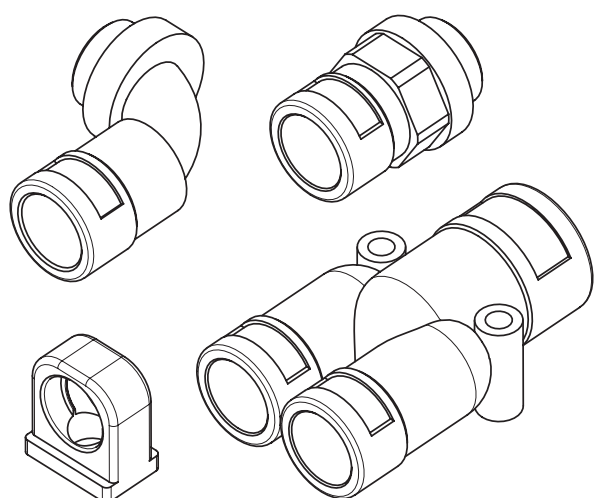




# PMA Ex eb and Ex tb Non-metallic system

## PMA Ex Fittings & Accessories

### PMA



#### Instructions:

- This equipment is only suitable for use with Ex eb enclosures
- **Ex eb Threaded Entries**  
Ensure a suitable sealing method is used and tighten fitting to enclosure using correct sized wrench
- **Ex eb Unthreaded Entries**  
Ensure a suitable sealing method is used and secure fitting using correct locknut and wrench

#### Installation Torque:

Installation Torque: see table, page 2

#### Maintenance

The inspection of this equipment (including check of the correct fitting torque value) should be done on a regular basis and as part of the routine maintenance of the equipment to which it is installed.

#### Special Notes:

Conduit Systems should be properly supported to prevent pulling and twisting which may damage the integrity of the system, BEH conduit clips can be used to secure the conduit as required.

This equipment is destined for use by qualified and competent personnel in compliance with national laws and where applicable, IEC/EN 60079-14 Electrical Installations in Hazardous Areas.

**This product must not be modified in any way.**  
**Only original parts must be used for maintenance.**

The products have been designed and manufactured in compliance with the above standards, to the following protection levels:

⊕ II 2 GD Ex eb IIC Gb Ex tb IIIC Db

#### Temperature Ranges

-5°C to +85°C	-20°C to +85°C
XESX02 - XESX03	XESX04 - XESX08
NENZ0202* - NENZ0304*	NENZ0404*-NENZ0809*
NENV0202* - NENV0304*	NENV0404*-NENV0809
	NENVA0404
NEWV0202 - NEWV0304	NEBV0404 - NEBV0809
NEAV0202 - NEAV0303	NEAV0404 - NEAV0809
NEIR0303	NEIR0404 - NEIR0808
BEYR030202 - BEYR040303	BEYR050404 - BEYR080707
BETR020202 - BETR 030303	BETR040404 - BETR080808
BESGR0303	BESGR0404 - BESGR0808
BENRRE030324	BENRRE040428 - BENRRE080865
BEAVR03/02	BEVAR04/02 - BEAVR08/07
BEH02 - BEH03	BEH04 - BEH08
	BEPS-17 - BEPS48

#### Approvals:



#### Regulations

European union: According to Directive 2014/34/EU  
IECEX:

China Compulsory Certificate

#### Approvals

SEV 15ATEX0121X  
IECEX SEV 15.0009X

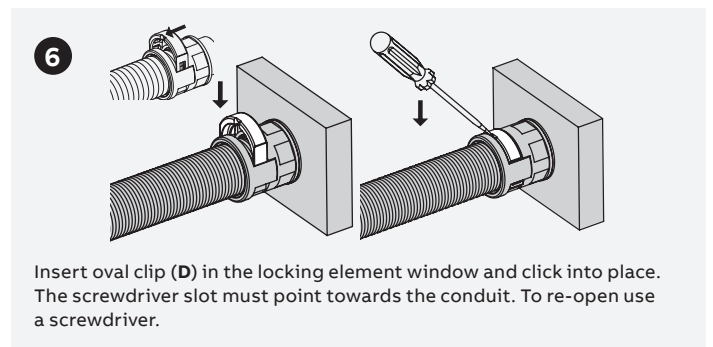
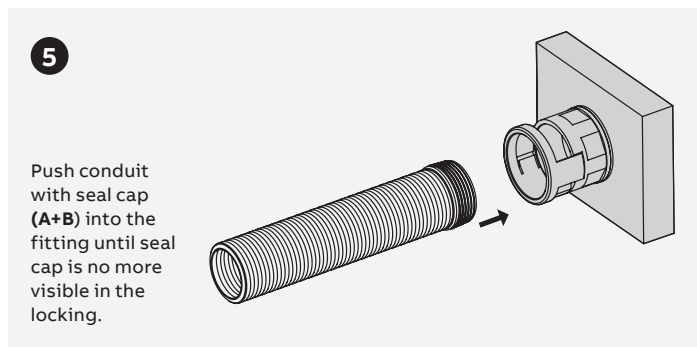
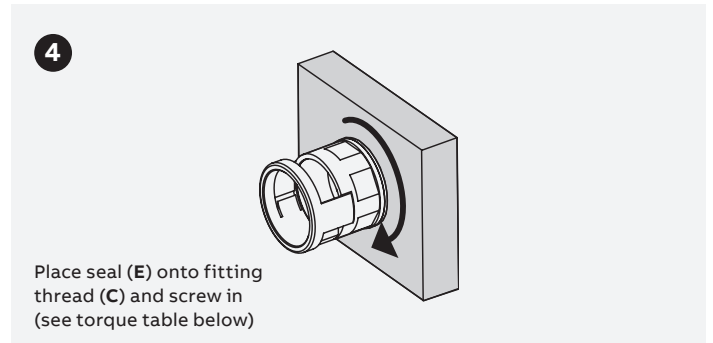
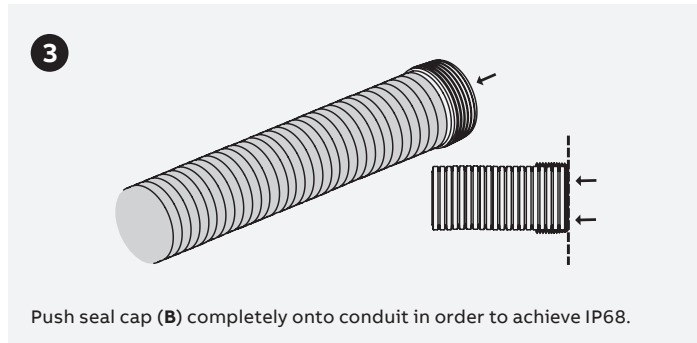
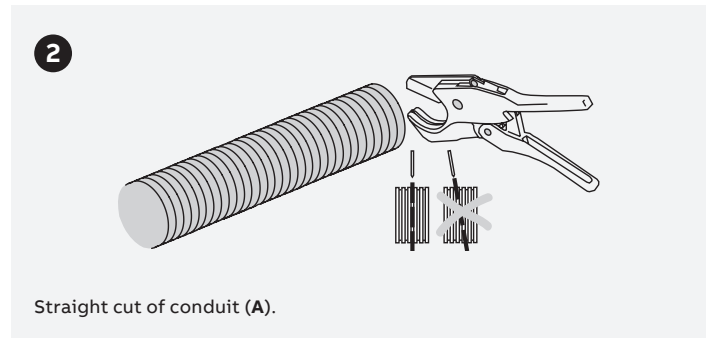
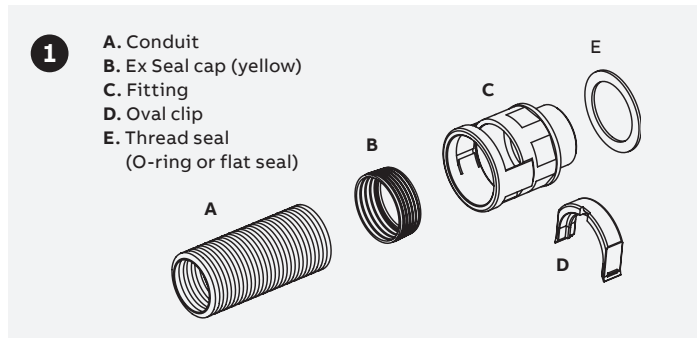
CCC

#### Standards

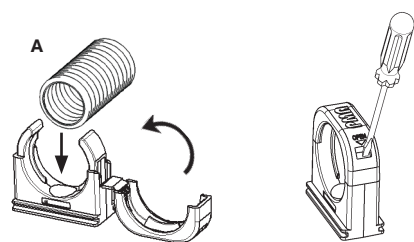
EN IEC 60079-0:2018; EN 60079-7:2015; EN 60079-31:2014  
IEC 60079-0:2017; IEC 60079-7:2017; IEC 60079-31:2013

GB/T 3836.1-2021, GB/T 3836.3-2021, GB/T 3836.31-2021

## Instructions Fitting Installation



## Instructions BEH System support Installation



Insert conduit (A) in to the System Support and close the lock. To re-open use a screwdriver.

## Torque table

Metric metal thread size	Torque [Nm]
M12	4.0
M16	4.0
M20	6.0
M25	8.0
M32	10.0
M40	15.0
M50	15.0
M63	15.0

**ABB Switzerland**  
PMA Cable Protection  
Aathalstrasse 90  
CH-8610 Uster  
Tel: +41 / 58 585 00 11

[new.abb.com](http://new.abb.com)

We reserve the right to make technical changes or modify the contents of this document without prior notice. With regard to purchase orders, the agreed particulars shall prevail. ABB AG does not accept any responsibility whatsoever for potential errors or possible lack of information in this document.

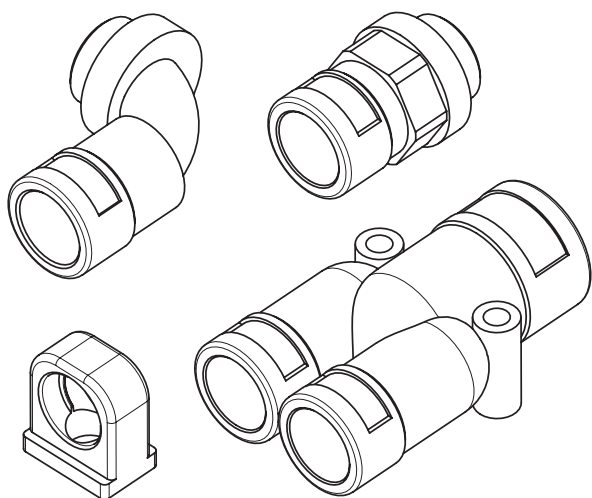
We reserve all rights in this document and in the subject matter and illustrations contained therein. Any reproduction, disclosure to third parties or utilisation of its contents – in whole or in parts – is forbidden without prior written consent of ABB AG. Copyright © 2023 ABB. All rights reserved.



## PMA Ex eb 和 Ex tb 非金属系统

### PMA Ex 接头 & 附件

## PMA



#### 说明:

- 本产品仅适用于Ex-eb外壳
- **Ex eb 螺纹型**  
确保使用合适的密封方法, 并使用正确尺寸的扳手将配件紧固到外壳上
- **Ex eb 非螺纹型**  
确保使用合适的密封方法, 并使用正确的锁紧螺母和扳手固定配件

#### 安装力矩:

安装扭矩:见第2页表

#### 维护保养:

应定期对该设备进行检查(包括检查正确的接头扭矩值), 并将其作为所安装设备的例行维护的一部分。

#### 特别说明:

管路系统应得到适当的支撑, 以防止拉扯和扭曲, 这可能会破坏系统的完整性, BEH管夹可以根据需要使用来固定管路。

本产品规定有能力和资质的人员在符合国家法律规定和适用 IEC/EN 60079-14 标准的危险区域的电气装置中使用。

**本产品不得以任何方式进行修改。**

**维修时只能使用原厂零件。**

本产品已按照上述标准进行设计和制造, 达到以下防护等级:

Ex II 2 GD Ex eb IIC Gb Ex tb IIIC Db

#### 温度范围

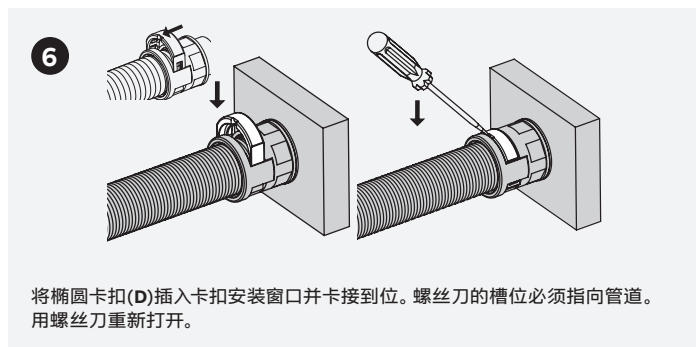
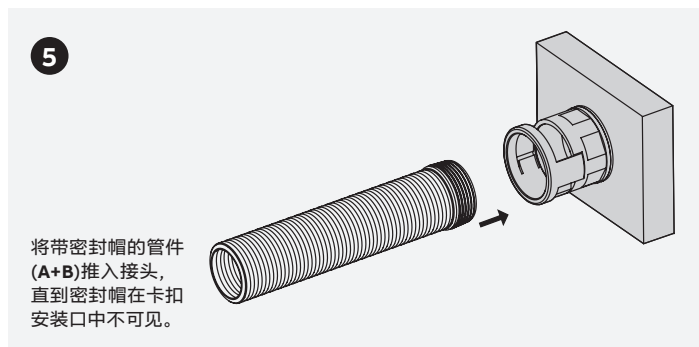
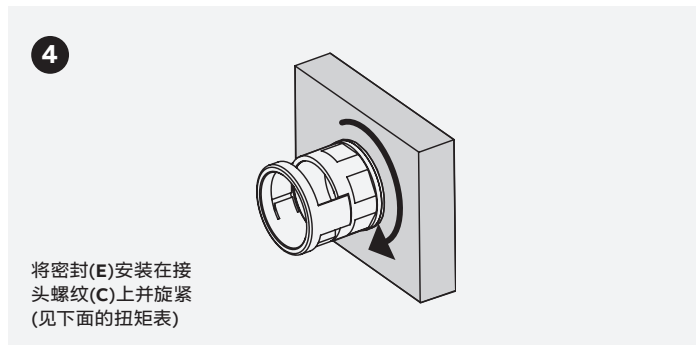
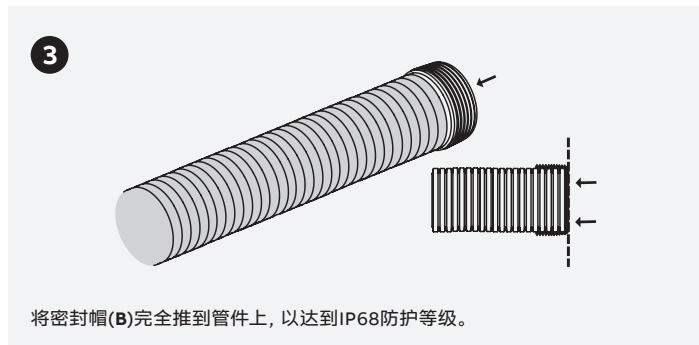
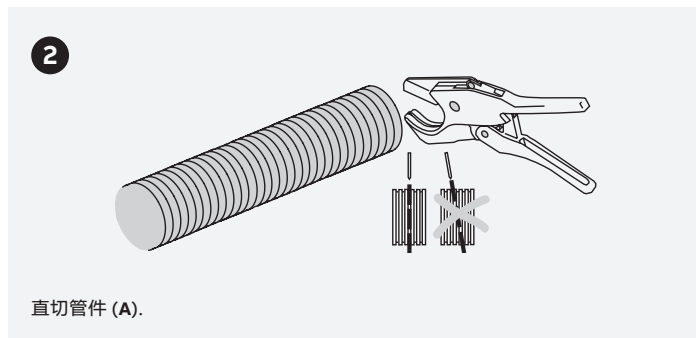
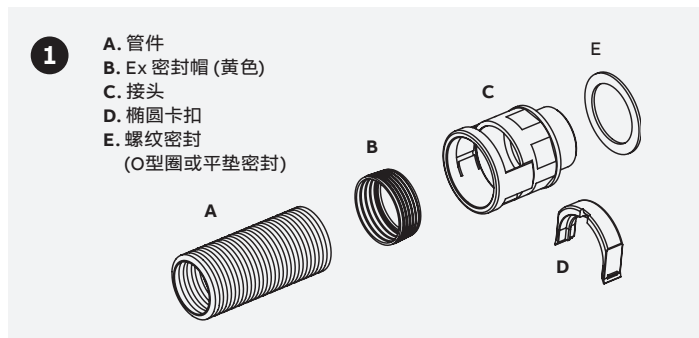
-5°C to +85°C	-20°C to +85°C
XESX02 - XESX03	XESX04 - XESX08
NENZ0202* - NENZ0304*	NENZ0404*-NENZ0809*
NENV0202* - NENV0304*	NENV0404*-NENV0809
	NENVA0404
NEWV0202 - NEWV0304	NEBV0404 - NEBV0809
NEAV0202 - NEAV0303	NEAV0404 - NEAV0809
NEIR0303	NEIR0404 - NEIR0808
BEYR030202 - BEYR040303	BEYR050404 - BEYR080707
BETR020202 - BETR 030303	BETR040404 - BETR080808
BESGR0303	BESGR0404 - BESGR0808
BENRRE030324	BENRRE040428 - BENRRE080865
BEAVR03/02	BEVAR04/02 - BEAVR08/07
BEH02 - BEH03	BEH04 - BEH08
	BEPS-17 - BEPS48

#### 批准处:

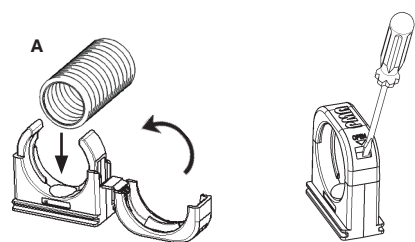


规定	批准处	标准
欧盟: 根据指令 2014/34/EU	SEV 15ATEX0121X	EN IEC 60079-0:2018; EN 60079-7:2015; EN 60079-31:2014
IECEX:	IECEX SEV 15.0009X	IEC 60079-0:2017; IEC 60079-7:2017; IEC 60079-31:2013
中国强制认证	CCC	GB/T 3836.1-2021, GB/T 3836.3-2021, GB/T 3836.31-2021

## 配件安装说明



## BEH 支撑系统安装说明



将管件(A)插入系统支架并关闭锁扣。可用螺丝刀重新打开。

## 扭矩表

公制 金属螺纹尺寸	扭矩 [Nm]
M12	4.0
M16	4.0
M20	6.0
M25	8.0
M32	10.0
M40	15.0
M50	15.0
M63	15.0

ABB Switzerland  
PMA Cable Protection  
Aathalstrasse 90  
CH-8610 Uster  
Tel: +41 / 58 585 00 11

我们保留在不事先通知的情况下对本文档进行技术更改或修改内容的权利。对于采购订单, 以双方约定的内容为准。对于本文档中潜在的错误或可能的信息缺失, ABB AG 不承担任何责任。

我们保留对本文件及其中所包含的主题和插图的所有权利。未经 ABB AG 事先书面同意, 禁止复制、向第三方披露或部分或全部使用其内容。版权所有 ©2023 ABB