

We reserve all rights in this document and in the information contained therein. Reproduction, use or disclosure to third parties without express authority is strictly forbidden.
© ABB 19

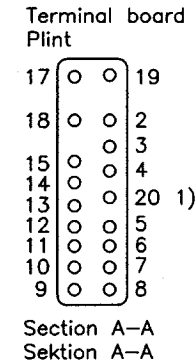
Pos. Lage	R connects förbinder	H connects förbinder
25		2-20
24		3-20
23		4-20
22		5-20
21A		6-20
21		7-20
20		8-20
19		9-20
18	17-18	10-20
17A		11-20
17		12-20
16		13-20
15		14-20
14A		15-20
14		
13		18-20
13A		
12		2-20
12A		
11		3-20
10		4-20
9		5-20
8		6-20
8A		7-20
7	17-19	8-20
6		9-20
5		10-20
4		11-20
4A		12-20
3		13-20
2		14-20
1		15-20

A position with letter is a through position and gives the same voltage as the normal position.

Läge med bokstav är ett genomloppsläge och ger samma spänning som normalläget.

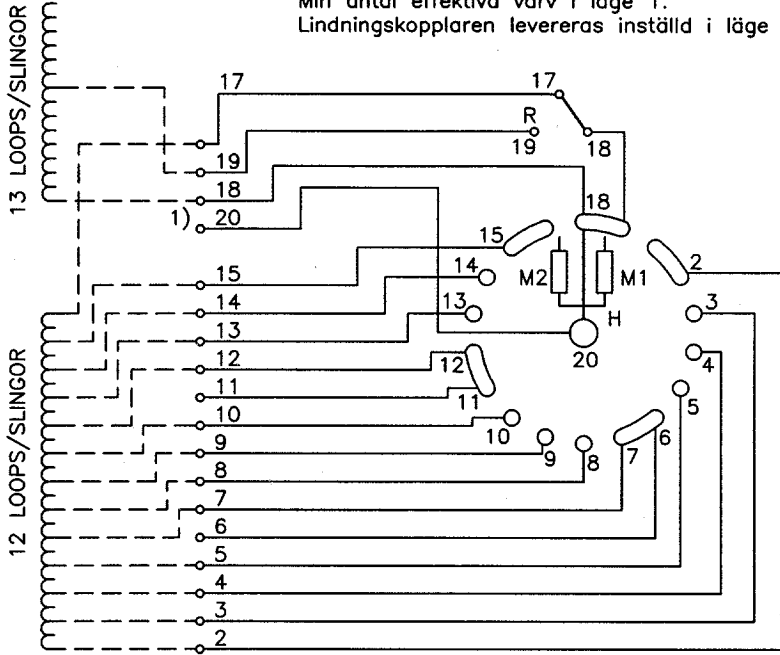
1) Connections between the terminals 20 of the three phases are included in the star-point type.

Förbindningar mellan uttag 20 i de tre faserna ingår i nollpunktsutförandet.



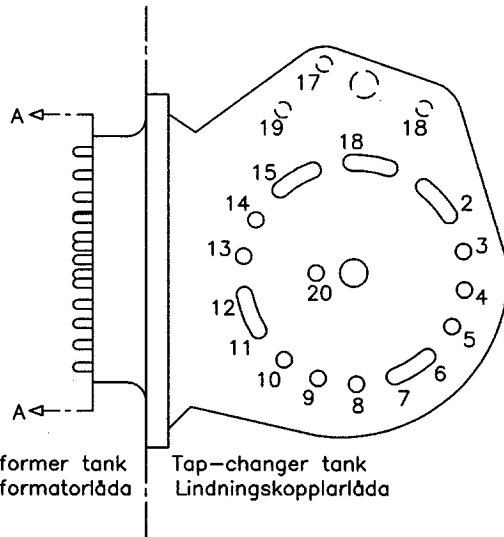
On-load tap-changer type UZED., UZFD., 25 tap positions, coarse/fine-switching.
Min effective No. of turns in pos. 1.
The tap-changer is delivered set in pos. 13.

Lindningskopplare typ UZED., UZFD., 25 lägen, grov/fin-koppling.
Min antal effektiva varv i läge 1.
Lindningskopplaren levereras inställd i läge 13.



The tap-changer is shown in pos. 13
Lindningskopplaren visad i läge 13

- R Change-over selector
Grov/fin-omkopplare
- H Main contact
Huvudkontakt
- M1, M2 Transition contacts
Motståndskontakter



Rev Ind	Revision	Appd	Year	Week		
Accepted by qual control	Accepted for prod by	Description (English)			DATA ORIGINAL	
R. Yngvesson		CONNECTION DIAGRAM				
Design checked by	Drawn by	Description (own language)			File name	
B-O. Stenestam	L. Bergman	KOPPLINGSSCHEMA			0398-7	
Drawing checked by	Issued by Dept	Year	Week	Lang	Sheet	
M. Hedlund	COM/TKO	97	33		1	
Asea Brown Boveri					Rev Ind	Cont
						-

5492 0398-7