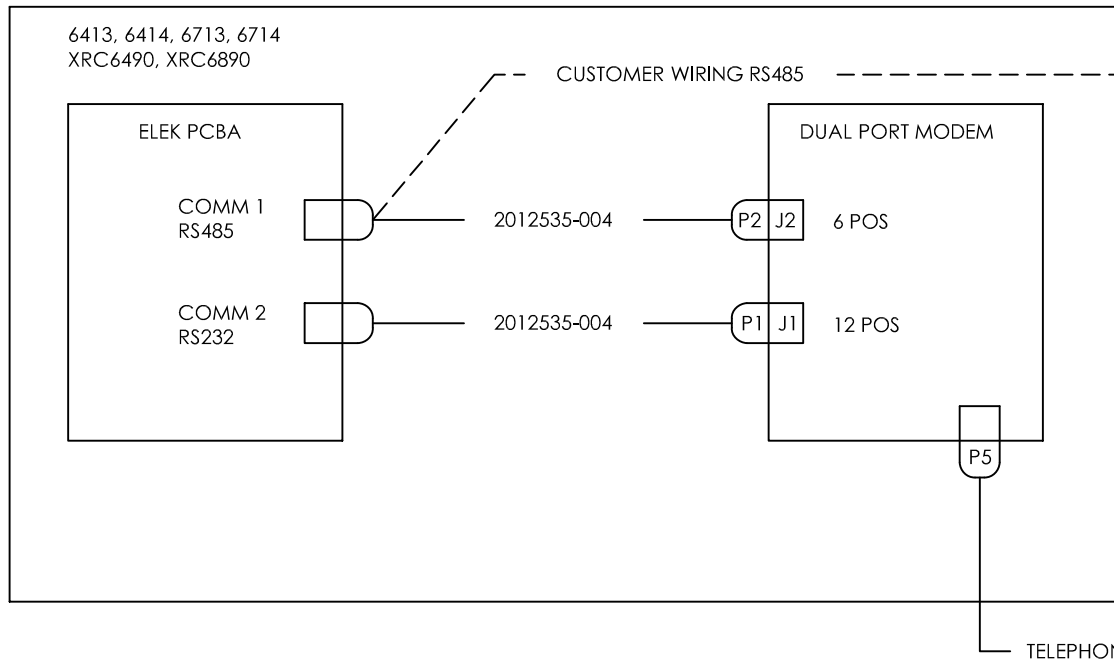


REVISIONS					
REV	ACTION	DRAWN	CHECKED	APPROVED	DATE
AA	L12066	KASTNER	KASTNER	HOLLAND	01/12/06
AB	D20726	KASTNER	KASTNER	BUSHNELL	07/09/04



- 6413 FCU
- 6414 FCU
- XFC6413
- XFC6414
- XRC6490
- XRC6890
- 6713 FCU
- 6714 FCU

				001	ITEM NO.	PART NUMBER	DESCRIPTION	REF/ZONE DESIG MATERIAL	UNIT MEAS
ASSEMBLY/QUANTITY									
DO NOT SCALE DRAWING		UNLESS OTHERWISE SPECIFIED DIMENSIONS ARE IN INCHES			PRODUCT LINE		LEVEL		 TOTALFLOW Products
THIRD ANGLE PROJECTION		TOLERANCES ARE:			DESIGN		DATE		
		DECIMAL ANGULAR			DRAWN		DATE		
		.XX ± -- ± --			CHECKED		DATE		
		.XXX ± --			APPROVED		SCALE		SIZE
		BREAK ALL SHARP CORNERS AND EDGES DIMENSIONS APPLY BEFORE FINISH			G. HOLLAND		01/12/04		DRAWING NO.
							NONE		REV
							B		WI
							2100658		1 OF 2

DUAL
PORT
MODEM

MODEL

ELEK PCBA

TERM PCBA

COMM

6413/6414

2015333-XXX
2100204-XXX
2102838-XXX
XFC G4

6713/6714

2015382-XXX

XRC6490/XRC6890

2100355-XXX
2103022-XXX
XRC G4

1
(RS485)

2
(RS232)

1
(RS485)

2
(RS232)

1
(RS485)

2
(RS232)

