

**ABB** INDUSTRIAL CONTROL TRANSFORMER  
 ABB Inc. 305 Gregson Dr. Cary, NC 27511

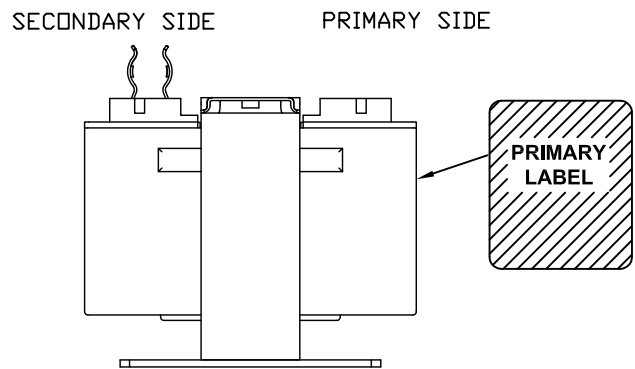
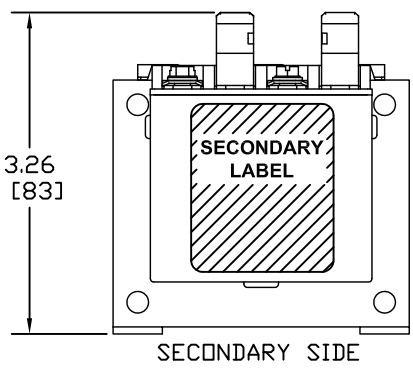
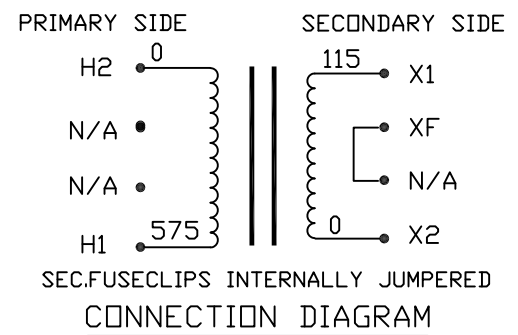
45VA  
**PRIMARY:** 575  
**SECONDARY:** 115  
**FREQUENCY:** 50/60Hz

QTY. 1

**UL** US MADE IN USA

CAT. **T6045S1**

Transformer Specifications	
PRIMARY VOLTAGE(S)	575 (TRIPLE RATED)
SECONDARY VOLTAGE(S)	115
RATED V.A.	45
RATED FREQUENCY	50/60
INSULATION CLASS	105
AGENCY APPROVALS	UL, CUL
ESTIMATED WEIGHT	2.4 LBS



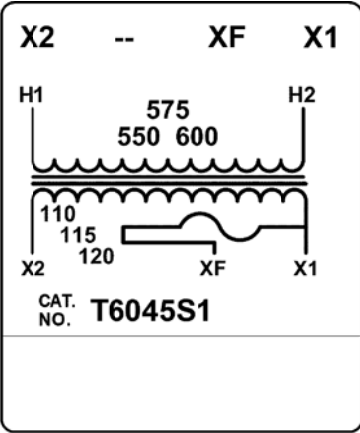
- NOTES:
1. ALL MEASUREMENTS IN INCHES (MM)
  2. TERMINAL SCREWS ARE COMBO #8-32 PHIL-SLOT-1/4" HEX WITH SEMS WASHER.
  3. SECONDARY FUSE CLIP ACCOMMODATES ONE 13/32" X 1-1/2" MIDGET FUSE.

H2 -- -- H1

**ABB** INDUSTRIAL CONTROL TRANSFORMER  
 TORQUE TERMINALS TO 16 IN.-LBS.

**UL** LISTED 702X 45VA  
 E2739 50/60Hz  
 TEMP CL. 105°C

CAT. NO. **T6045S1**



PACKAGED ACCESSORIES			
1			
-			
<b>ABB</b>			
DATE	8/9/10	DRAWN	J.G.V
CHECKED		APPROVED	
RELEASE DATE			
1TQY200060X0005			
<b>T6045S1</b>			

REV	DESCRIPTION	BY	DATE
A	I3 CONSTRUCTION	JW	4/27/22
ECL	REVISIONS	BY	DATE