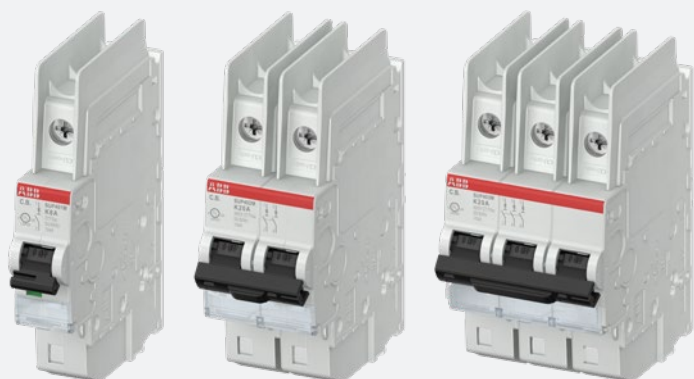


SMISLINE

SMISLINE TP

Miniature Circuit Breaker SUP400

for branch circuit protection acc. to UL 489 File E312425



The ABB SMISLINE miniature circuit breaker UL489 for branch circuit protection in 277/480 VAC systems

Technical Data

General Data

Standards	UL 489, CSA 22.2 No. 5
Rated voltage	277/480 VAC
Poles	1P, 2P, 3P
Tripping characteristics	K
Rated current I_n	2 to 30 A
Rated frequency f	50/60 Hz
Short circuit current rating (acc. to UL 489)	10 kA
Oversoltage category	III
Pollution degree	2
Reference temperature for tripping characteristics	40 °C

Ordering Data

I_n [A]	Type	ABB IT number	EAN number 761 227	Packaging unit	Module	Weight in grams
2	SUP401M-K2	2CCG000142R0001	1506759	10	1	120
3	SUP401M-K3	2CCG000143R0001	1506766	10	1	120
4	SUP401M-K4	2CCG000144R0001	1506773	10	1	120
5	SUP401M-K5	2CCG000153R0001	1506865	10	1	120
6	SUP401M-K6	2CCG000145R0001	1506780	10	1	120
8	SUP401M-K8	2CCG000146R0001	1506797	10	1	120
10	SUP401M-K10	2CCG000147R0001	1506803	10	1	120
13	SUP401M-K13	2CCG000148R0001	1506810	10	1	120
15	SUP401M-K15	2CCG000154R0001	1506872	10	1	120
16	SUP401M-K16	2CCG000149R0001	1506827	10	1	120
20	SUP401M-K20	2CCG000150R0001	1506834	10	1	120
25	SUP401M-K25	2CCG000151R0001	1506841	10	1	120
30	SUP401M-K30	2CCG000152R0001	1506858	10	1	120



Ordering Data

I _n [A]	Type	ABB IT number	EAN number 761 227	Packaging unit	Module	Weight in grams
2	SUP402M-K2	2CCG000106R0001	1506384	5	2	240
3	SUP402M-K3	2CCG000107R0001	1506391	5	2	240
4	SUP402M-K4	2CCG000108R0001	1506506	5	2	240
5	SUP402M-K5	2CCG000117R0001	1506599	5	2	240
6	SUP402M-K6	2CCG000109R0001	1506513	5	2	240
8	SUP402M-K8	2CCG000110R0001	1506520	5	2	240
10	SUP402M-K10	2CCG000111R0001	1506537	5	2	240
13	SUP402M-K13	2CCG000112R0001	1506544	5	2	240
15	SUP402M-K15	2CCG000118R0001	1506605	5	2	240
16	SUP402M-K16	2CCG000113R0001	1506551	5	2	240
20	SUP402M-K20	2CCG000114R0001	1506568	5	2	240
25	SUP402M-K25	2CCG000115R0001	1506575	5	2	240
30	SUP402M-K30	2CCG000116R0001	1506582	5	2	240
2	SUP403M-K2	2CCG000119R0001	1506612	3	3	360
3	SUP403M-K3	2CCG000120R0001	1506629	3	3	360
4	SUP403M-K4	2CCG000121R0001	1506636	3	3	360
5	SUP403M-K5	2CCG000130R0001	1506728	3	3	360
6	SUP403M-K6	2CCG000122R0001	1506643	3	3	360
8	SUP403M-K8	2CCG000123R0001	1506650	3	3	360
10	SUP403M-K10	2CCG000124R0001	1506667	3	3	360
13	SUP403M-K13	2CCG000125R0001	1506674	3	3	360
15	SUP403M-K15	2CCG000131R0001	1506735	3	3	360
16	SUP403M-K16	2CCG000126R0001	1506681	3	3	360
20	SUP403M-K20	2CCG000127R0001	1506698	3	3	360
25	SUP403M-K25	2CCG000128R0001	1506704	3	3	360
30	SUP403M-K30	2CCG000129R0001	1506711	3	3	360



Mechanical Data

Housing	RAL 7035
Toggle	Black sealable
Contact position indication	Real CPI (green OFF / red ON)
L1/L2/L3 position indication	Yes
Protection degree acc. to EN 60529	IP20*, IP40 in enclosure with cover
Label holder	Yes
Mechanical endurance	10,000 ops.
Shock resistance acc. to IEC/EN 61373	5g/30 ms, 3 shocks
Vibration resistance acc. to IEC/EN 60068-2-6	2 ... 13.2 Hz/1 mm 13.2 ... 100 Hz/0.7 g, 5 cycles 5 ... 150 ... 5 Hz/1 g, 4 sweeps
Environmental conditions (damp heat) acc. to IEC/EN 60068-2-30	28 cycles with 55 °C/90 ... 96 % and 25 °C/95 ... 100 %
Ambient temperature	-13 °F ... +131 °F; -25 ... +55 °C
Storage temperature	-40 °F ... +158 °F; -40 ... +70 °C

Miniature Circuit Breaker SUP400

Installation data

Installation	
Terminal at load side	Failsafe bi-directional cylinder-lift terminal with double slot 35/10mm ²
Cross-section of conductors	Solid, stranded: 0.75 ÷ 35 mm ² (front slot), 0.75 ÷ 10 mm ² (rear slot), single conductor Cu only Flexible: 0.75 ÷ 25 mm ² (front side), 0.75 ÷ 10 mm ² (rear slot), single conductor CU only AWG 14-8 single conductor CU only
Torque	2.8 Nm, 25 in. lbs.
Stripping length	12.5 mm
Wire temperature	60/75 °C
Screwdriver	No. 2 Pozidrive
Terminal at line side	Movable plug-on terminal L1, L2, L3
Mounting	SMISSLINE TP socket system only
Mounting position	Any
Dimensions and weight	
Pole weight	120 g

* Also fulfilling the requirement acc. to protection degree IPXXB

The devices are suitable with
 – S2C-H6RU (auxiliary contact)
 – S2C-S6RU (signal/auxiliary contact)
 – E210-DH (false pole 1/2 module)
 – SA (locking device)

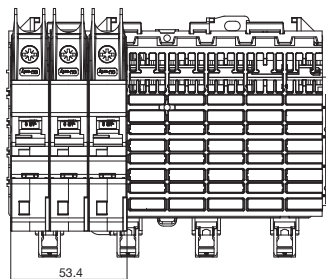
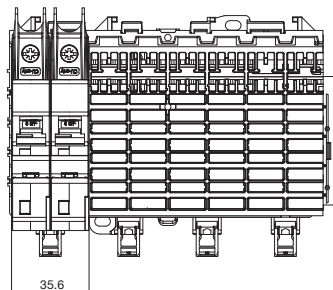
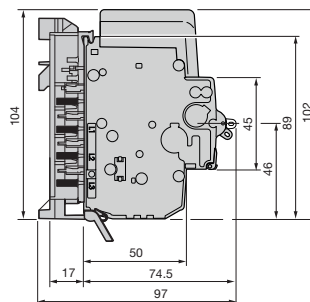
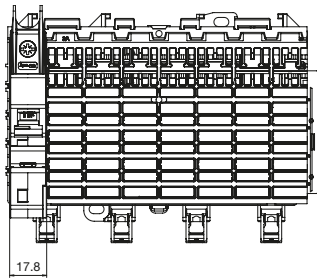


ABB Switzerland Ltd.
 Low Voltage Products
 Fulachstrasse 150
 CH-8201 Schaffhausen
 Phone +41 58 586 41 11
 Fax +41 58 586 42 22

abb.ch

ABB Inc.
 860 Ridge Lake Blvd.
 Memphis, TN 38120
 Technical Support:
 E-Mail: lvps.support@us.abb.com
 Phone: 1-888-385-1221 Option 1

We reserve the right to make technical changes or modify the contents of this document without prior notice. With regard to purchase orders, the agreed particulars shall prevail. ABB AG does not accept any responsibility whatsoever for potential errors or possible lack of information in this document.

We reserve all rights in this document and in the subject matter and illustrations contained therein. Any reproduction, disclosure to third parties or utilization of its contents – in whole or in parts – is forbidden without prior written consent of ABB AG. Copyright © 2017 ABB
 All rights reserved