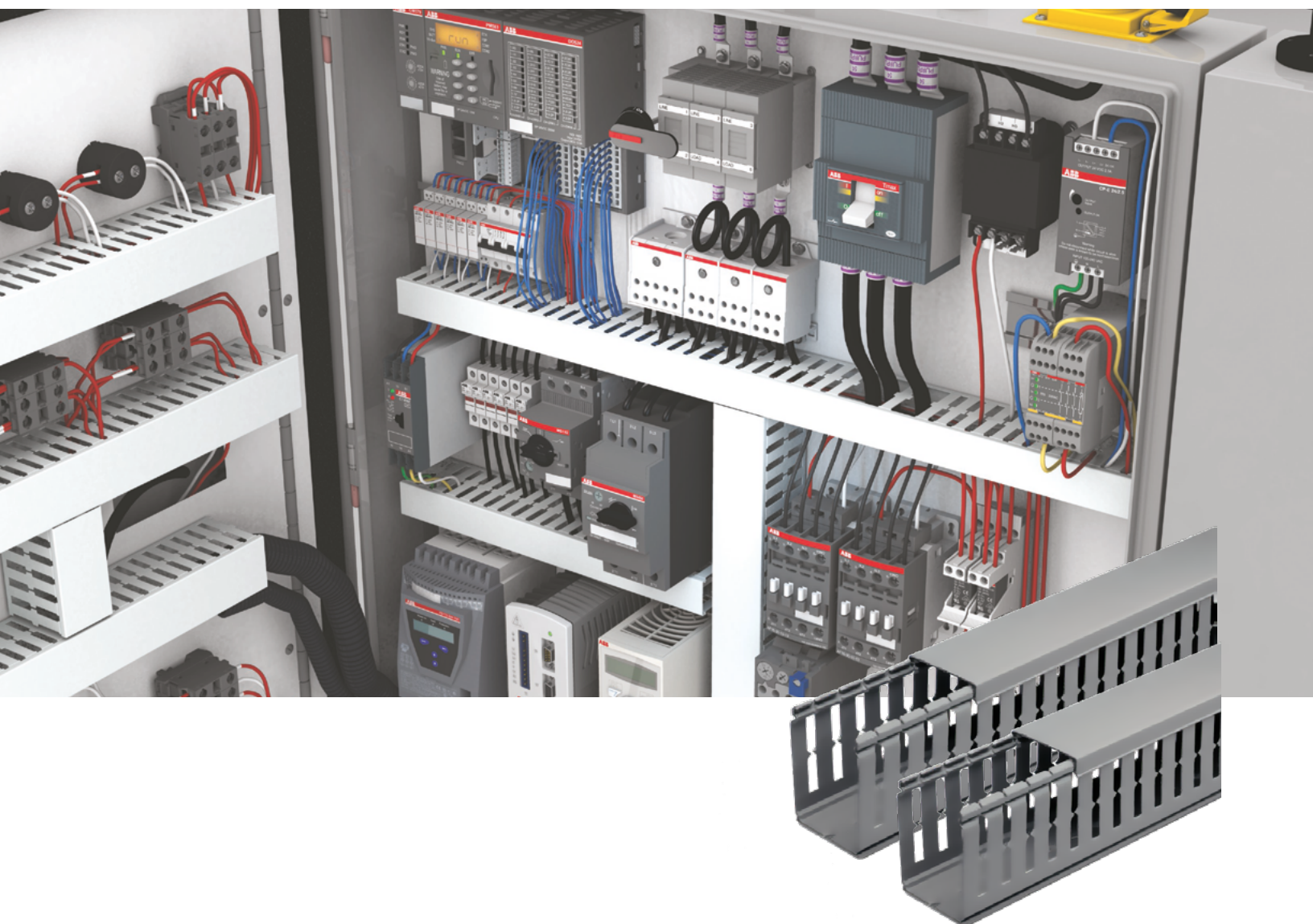


BROCHURE

# WIRING DUCT

Streamlines cable routing, pulling,  
and partitioning

*Catamount*<sup>®</sup>



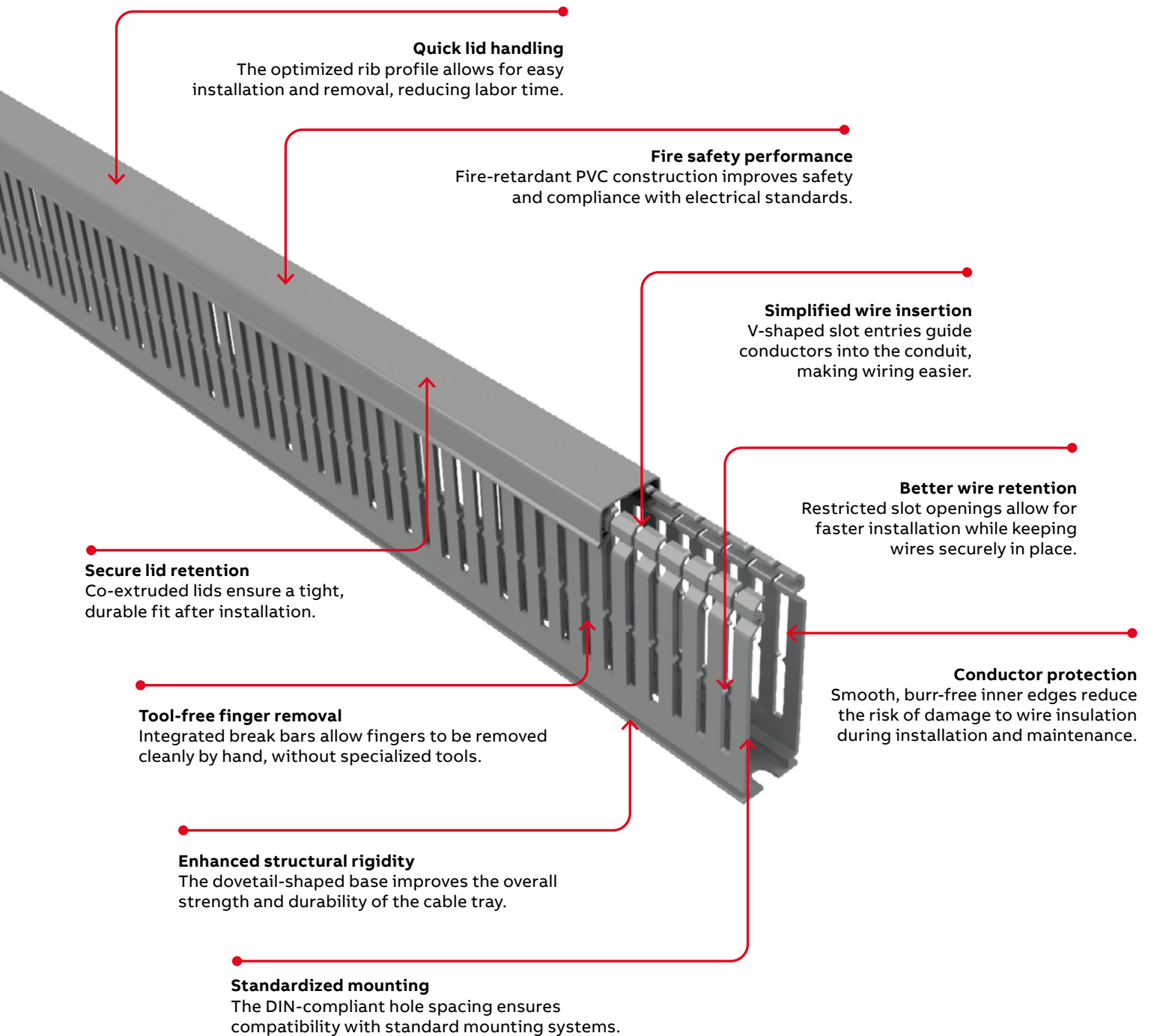


# TABLE OF CONTENTS

<b>004</b>	<b>Overview</b>
<b>004</b>	<b>Thermoplastic cable tray with vertical slots</b>
<b>010</b>	<b>Accessories</b>

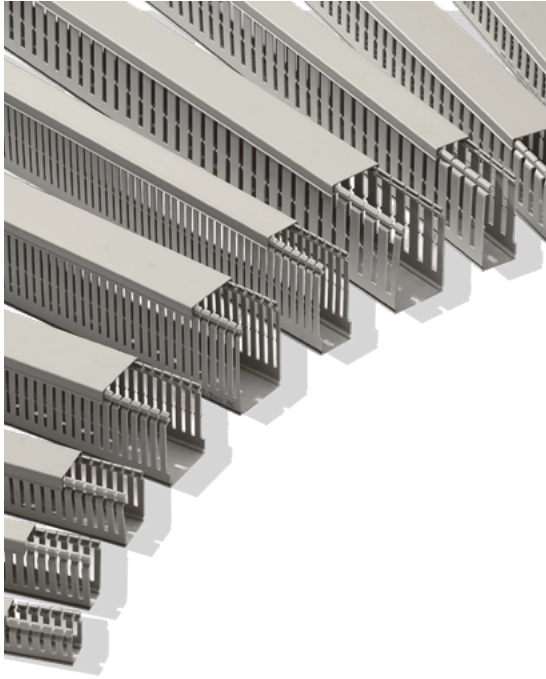
# WIRING DUCT

## Overview



# WIRING DUCT

Thermoplastic cable tray with vertical slots



## Specifications

- Color: gray RAL 7030
- Material: plastic, insulating, shockproof, self-extinguishing
- Minimum storage/transport temperature: -5°C
- Minimum installation and operating temperature: -15°C
- Maximum operating temperature: +60°C
- Resistant to acids, oils, and greases
- Designed to snap onto the special Fix-O-rapid accessory, which can be attached to both a DIN rail and a base plate
- The ribs are cut using a special pressing process (rounding of the edges), which produces cable trays that are completely free of burrs and rough edges
- The dimensions and resilience of the ribs ensure repeated spacing during cabling
- Cable support moldings halfway up the straight section of the ribs in 80 and 100 mm high cable trays
- Standard length: 2 meters

## Standards

- UL 94 V0 standard: Material complies with UL 94 V0 standard (flammability rating)
- IEC 695-2-1 standard: Resistant to abnormal heat and fire up to 960° (glow wire test) in accordance with IEC 695-2-1 standard

## Features

- No burrs, rounded inner edges
- New rib profile for easier opening and closing of the cover, ensuring a more secure clip
- Controlled spacing of the sides to ensure a perfect seal of the cover in vertical sections and at high temperatures
- Double cut line:
  - One at the base of the ribs so that they can be removed by bending them outward.
  - One at the base of the side panels to allow the edge to be cut when connecting (joining) two cable ducts
- The cover can be opened without the use of a special tool
- Can be mounted on horizontal or vertical surfaces, even when the cover is on the bottom
- Industrial application



Approved by the  
Canadian Standards  
Association



Approved by  
Underwriters  
Laboratories



RINA Statement of  
Approval  
N° ELE/130607/CS



IMQ mark in accor-  
dance with standard  
EN 50085-2-3

## Wiring duct

Thermoplastic cable tray with vertical slots



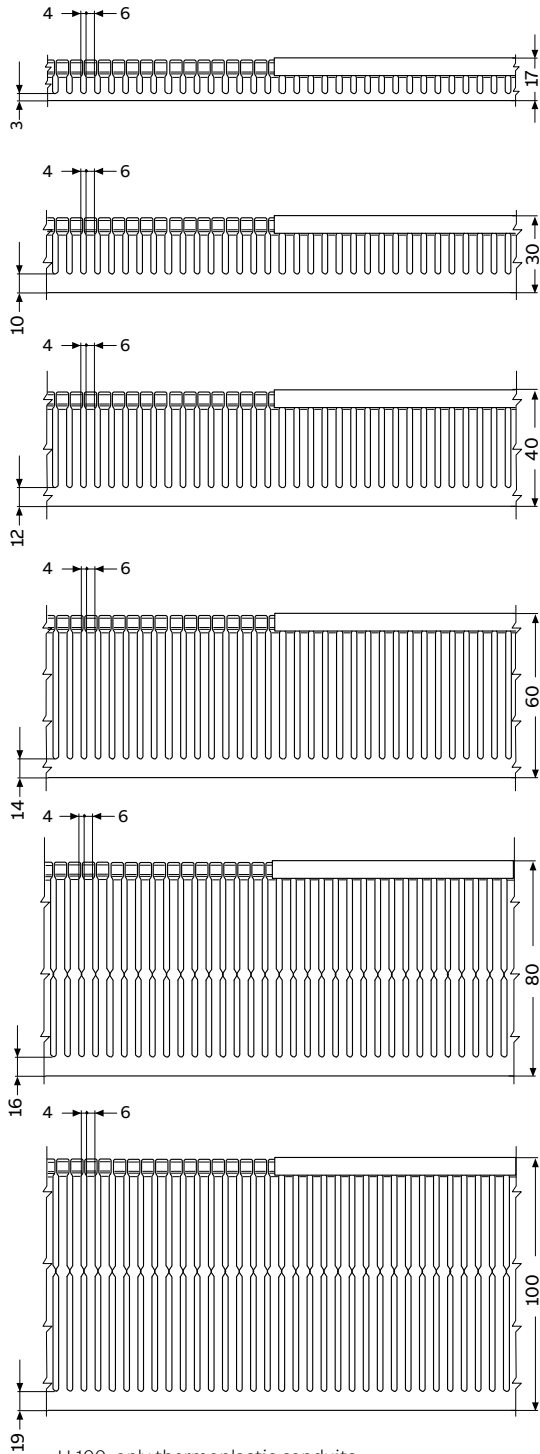
### Wiring duct with 4/6 mm slots

Cat. No.	[mm]	Width [inch]	[mm]	Height [inch]	Weight [Kg/m]	Qty. [meters]
05 119	15	0.5906	17	0.6693	0.06	46
05 133	25	0.9843	30	1.1811	0.21	58
05 135	40	1.5748	30	1.1811	0.27	38
05 137	60	2.3622	30	1.1811	0.38	52
05 143	25	0.9843	40	1.5748	0.25	48
05 145	40	1.5748	40	1.5748	0.31	30
05 147	60	2.3622	40	1.5748	0.46	40
05 149	80	3.1496	40	1.5748	0.47	32
05 151	100	3.9370	40	1.5748	0.55	24
05 153	120	4.7244	40	1.5748	0.65	20
05 163	25	0.9843	60	2.3622	0.24	34
05 165	40	1.5748	60	2.3622	0.34	22
05 167	60	2.3622	60	2.3622	0.47	32
05 169	80	3.1496	60	2.3622	0.52	24
05 171	100	3.9370	60	2.3622	0.59	20
05 173	120	4.7244	60	2.3622	0.73	14
05 183	25	0.9843	80	3.1496	0.29	28
05 185	40	1.5748	80	3.1496	0.38	36
05 187	60	2.3622	80	3.1496	0.50	24
05 189	80	3.1496	80	3.1496	0.59	16
05 191	100	3.9370	80	3.1496	0.68	16
05 193	120	4.7244	80	3.1496	0.89	12
05 194	25	0.9843	100	3.9370	0.46	20
05 195	40	1.5748	100	3.9370	0.53	28
05 196	60	2.3622	100	3.9370	0.73	20
05 197	80	3.1496	100	3.9370	0.91	14
05 198	100	3.9370	100	3.9370	1.06	8
05 199	150	5.9055	100	3.9370	1.37	8

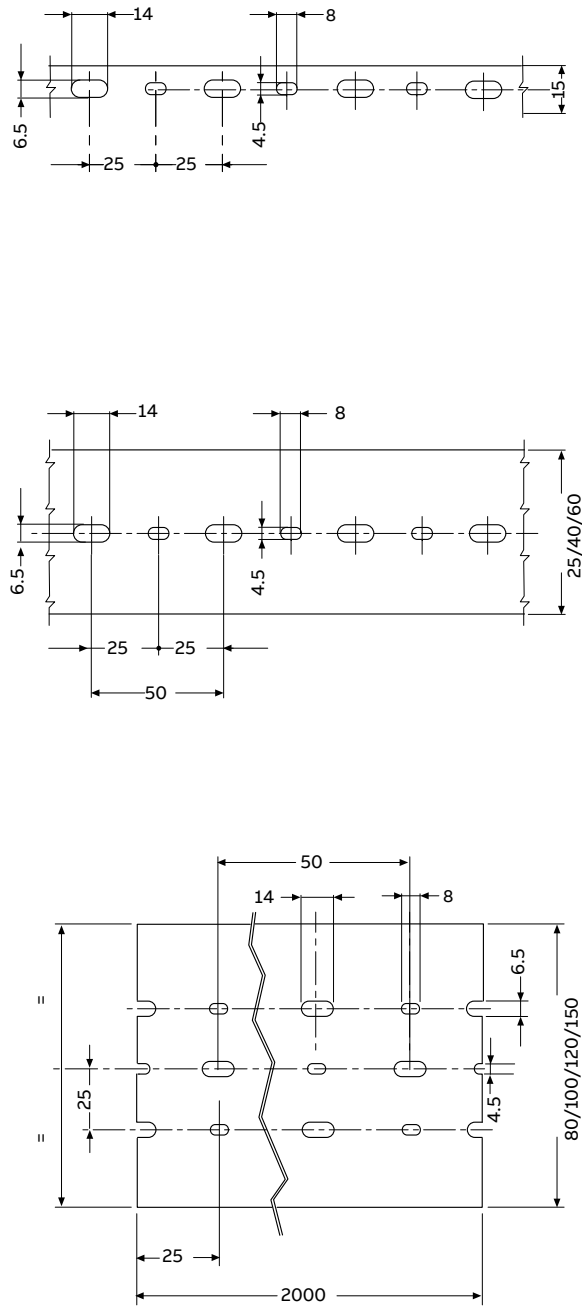
# Wiring duct

## Dimensions

### Cable tray with 4/6 mm slots



H 100: only thermoplastic conduits



## Wiring duct

Thermoplastic cable tray with vertical slots



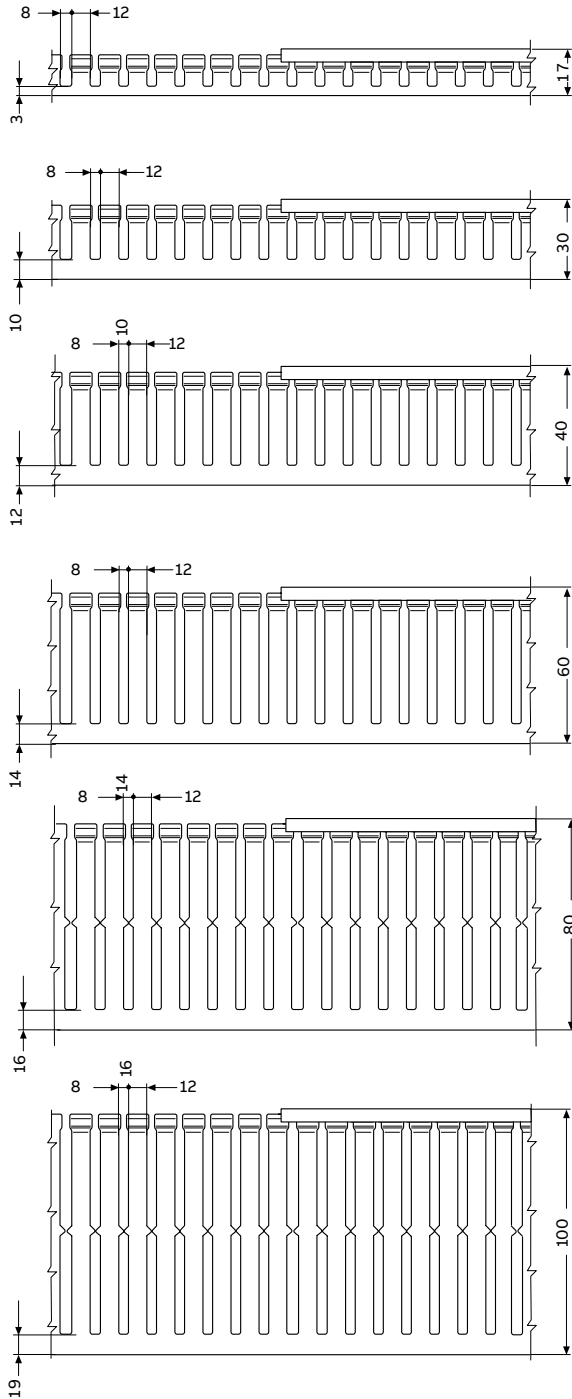
Wiring duct with 8/12 mm slots

Cat. No.	[mm]	Width [inch]	[mm]	Height [inch]	Weight [Kg/m]	Qty. [meters]
05 019	15	0.5906	17	0.6693	0.06	46
05 033	25	0.9843	30	1.1811	0.21	58
05 035	40	1.5748	30	1.1811	0.27	38
05 037	60	2.3622	30	1.1811	0.38	52
05 043	25	0.9843	40	1.5748	0.25	48
05 045	40	1.5748	40	1.5748	0.31	30
05 047	60	2.3622	40	1.5748	0.46	40
05 049	80	3.1496	40	1.5748	0.47	32
05 051	100	3.9370	40	1.5748	0.55	24
05 053	120	4.7244	40	1.5748	0.65	20
05 063	25	0.9843	60	2.3622	0.24	34
05 065	40	1.5748	60	2.3622	0.34	22
05 067	60	2.3622	60	2.3622	0.47	32
05 069	80	3.1496	60	2.3622	0.52	24
05 071	100	3.9370	60	2.3622	0.59	20
05 073	120	4.7244	60	2.3622	0.73	14
05 083	25	0.9843	80	3.1496	0.29	28
05 085	40	1.5748	80	3.1496	0.38	36
05 087	60	2.3622	80	3.1496	0.50	24
05 089	80	3.1496	80	3.1496	0.59	16
05 091	100	3.9370	80	3.1496	0.68	16
05 093	120	4.7244	80	3.1496	0.89	12
05 094	25	0.9843	100	3.9370	0.46	20
05 095	40	1.5748	100	3.9370	0.53	28
05 096	60	2.3622	100	3.9370	0.73	20
05 097	80	3.1496	100	3.9370	0.91	14
05 098	100	3.9370	100	3.9370	1.06	8
05 099	150	5.9055	100	3.9370	1.37	8

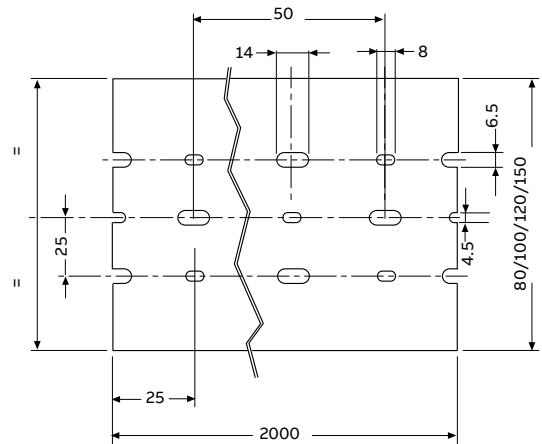
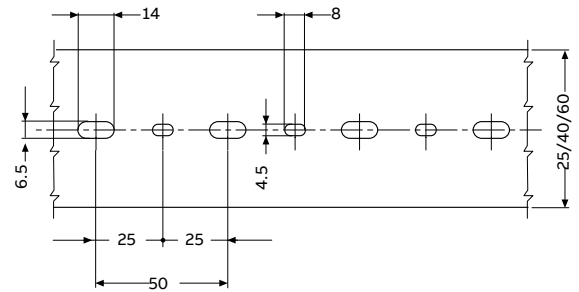
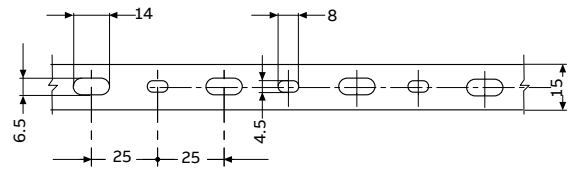
# Wiring duct

## Dimensions

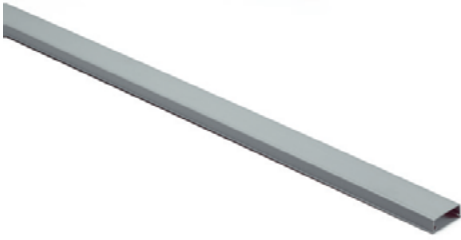
### Cable tray with 8/12 mm slots



H 100: only thermoplastic conduits



## Wiring duct Accessories



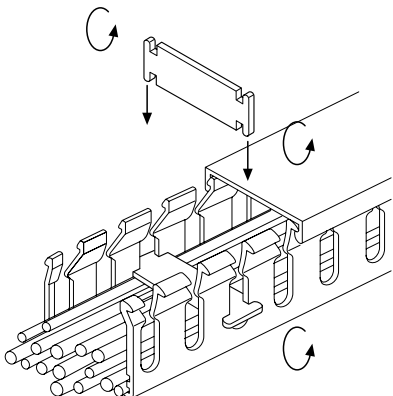
### Replacement covers

Cat. No.	Description	Unit/pack [meters]
05 300	Base 15 mm	2/200
05 302	Base 25 mm	2/60
05 304	Base 40 mm	2/40
05 306	Base 60 mm	2/24
05 308	Base 80 mm	2/16
05 310	Base 100 mm	2/48
05 312	Base 120 mm	2/36
05 314	Base 150 mm	2/28



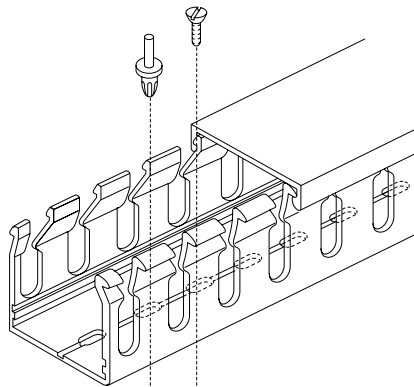
### Plastic cable retention device

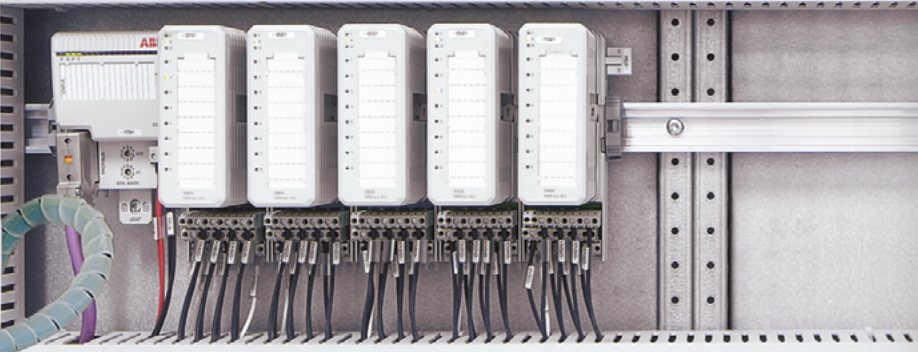
Cat. No.	Description	Qté. [pieces]
05 224	Base 40 mm	100
05 226	Base 60 mm	100
05 228	Base 80 mm	100
05 230	Base 100/120 mm	100



### Plastic rivets

Cat. No.	Description	Qté. [pieces]
05 214	Ø 4 mm	100
05 216	Ø 6 mm	100







---

**ABB Electrification Canada Inc.**  
**Installation Products Division**  
700 Thomas Avenue  
Saint-Jean-sur-Richelieu, Quebec J2X 2M9  
Tel.: +1 (450) 347 5318  
Toll Free: +1 (800) 362 2952  
Fax: +1 (450) 347 1976

**[tnb.ca.abb.com](http://tnb.ca.abb.com)**

---

We reserve the right to make technical changes or modify the contents of this document without prior notice. With regard to purchase orders, the agreed particulars shall prevail. ABB Electrification Canada Inc. does not accept any responsibility whatsoever for potential errors or possible lack of information in this document.

We reserve all rights in this document and in the subject matter and illustrations contained therein. Any reproduction, disclosure to third parties or utilization of its contents – in whole or in parts – is forbidden without prior written consent of ABB Electrification Canada Inc.  
Copyright © 2026 ABB  
All rights reserved