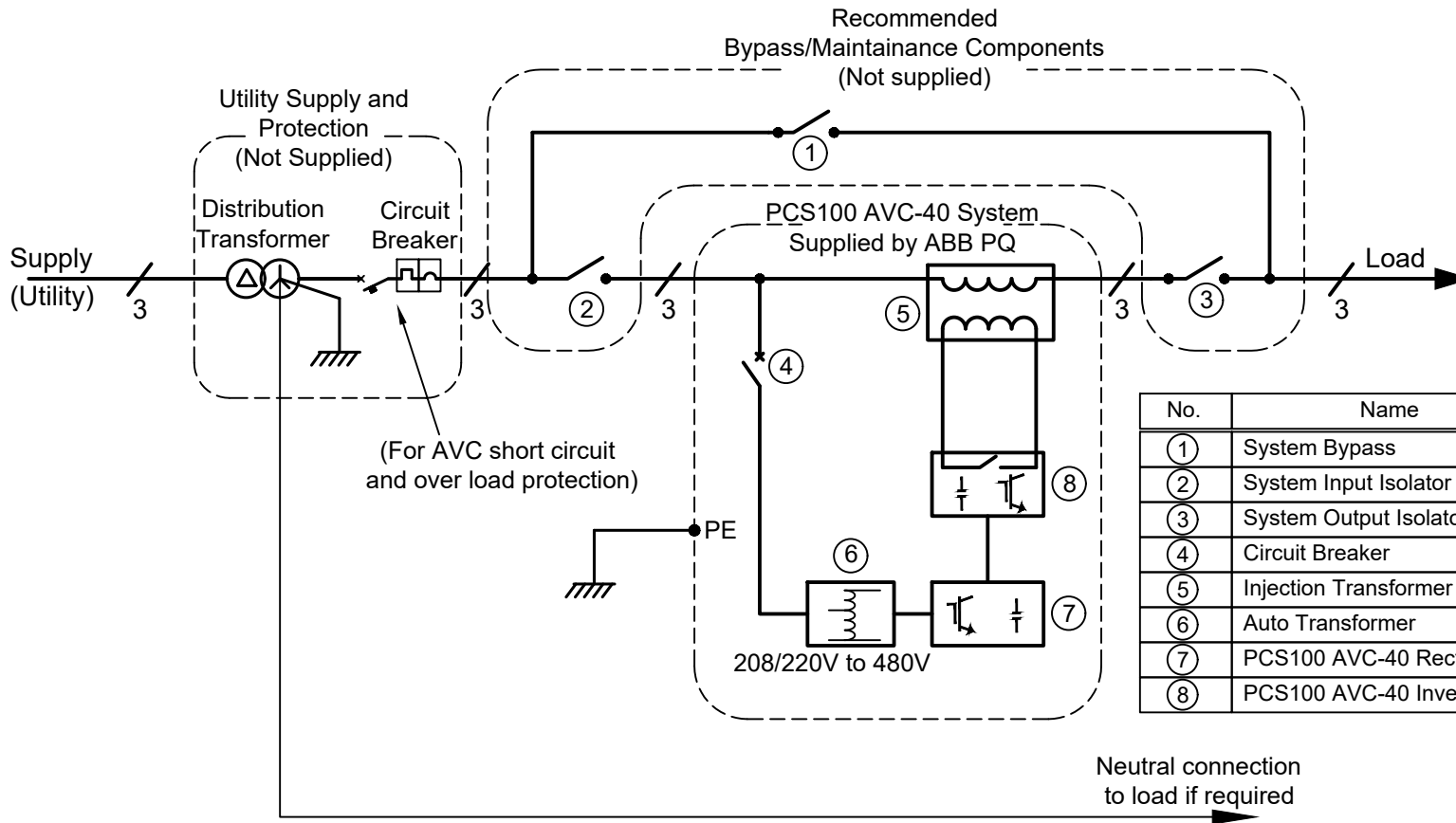


PCS100 AVC-40 System



No.	Name
①	System Bypass
②	System Input Isolator
③	System Output Isolator
④	Circuit Breaker
⑤	Injection Transformer
⑥	Auto Transformer
⑦	PCS100 AVC-40 Rectifier modules
⑧	PCS100 AVC-40 Inverter modules with Internal Bypass

I	20/01/21	AT		BM	NJE	TS739: removed breaker symbol from 4xxV drawing.
H	24/11/16	RS		AT	CT	Created SLD for AVC-40-H
G	07/10/16	DL	LC	AH	DRO	Separated AVC-40 LV into 2 sheets
F	08/07/16	AT	-	CT	AH	Addition of 8-12B diagram
E	16/01/13	JGP	-	DL	AH	Auxiliary Transformer description modified.
D	30/07/12	HK	-	DL	AH	Removed "Not supplied by ABB PQ"
25/07/11 HK: DL AH Added supply details and 'PE'						
REV	DATE	BY	CHK	CHK	APPD	Description



PROPRIETARY AND CONFIDENTIAL
 THE INFORMATION CONTAINED IN THIS DRAWING IS
 HIGHLY CONFIDENTIAL AND THE SOLE PROPERTY OF
 ABB LTD. COPYRIGHT RESERVED.
 THIS DRAWING MUST NOT BE USED FOR ANY PURPOSE
 OTHER THAN THAT EXPRESSLY PERMITTED IN WRITING
 BY ABB LTD AND MUST NOT BE DISCLOSED OR
 REPRODUCED IN ANY WAY WITHOUT PERMISSIONS
 FROM ABB LTD IN WRITING.
 THE DRAWING MUST BE RETURNED TO ABB LTD WHEN
 THE PURPOSE FOR WHICH IT IS SUPPLIED HAS CEASED.

MATERIAL:

FINISH:

COMMENTS:

DO NOT SCALE DRAWING

TITLE:

**PCS100 AVC-40
 208/220V Models
 1B
 Single Line Diagram**

DIMENSIONS ARE IN MILLIMETRES UNLESS OTHERWISE STATED

TOLERANCES (UNLESS OTHERWISE STATED)
 0 ± 1.0MM
 0.0 ± 0.4MM
 0.00 ± 0.1MM

SCALE: AUTOCAD

CAD File

2UCD070000E2021 i.dwg

DWG. NO.

2UCD070000E2021

SHEET 1 OF 1

3RD ANGLE PROJECTION



AUTOCAD

REV

I